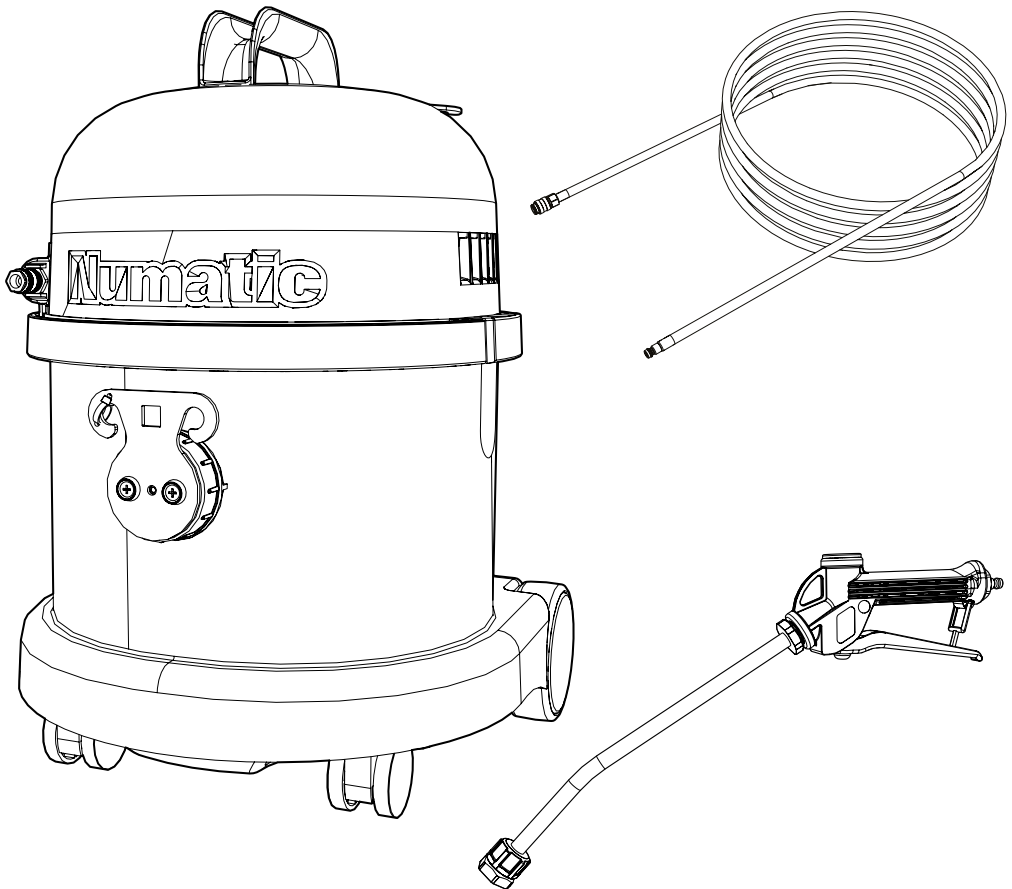


NSU 370



NUMATIC SANITISER UNIT



Original Instructions

CAUTION,

Read instructions before using the machine.

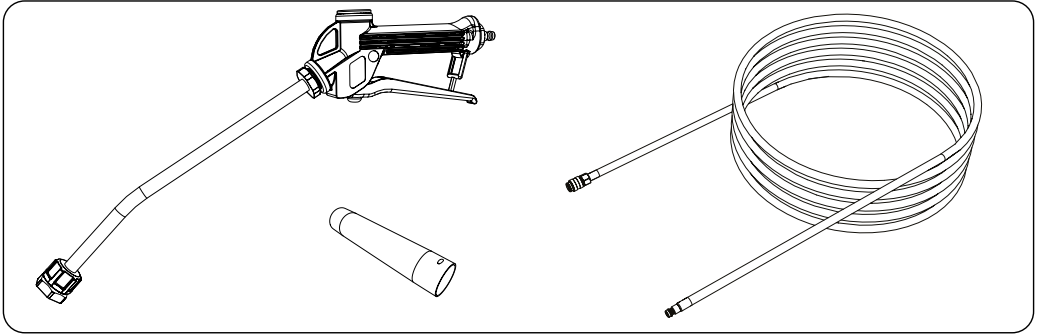
***This machine is not suitable for
spraying / sanitising electrical items.***

KEEP FOR FUTURE REFERENCE

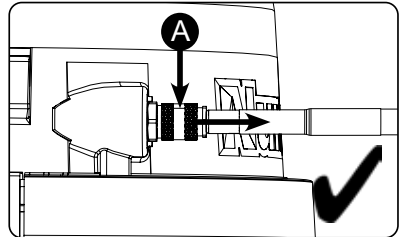
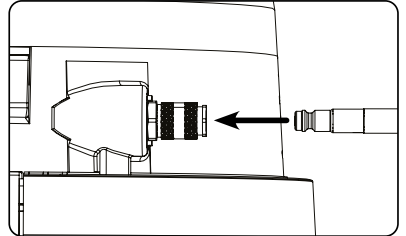
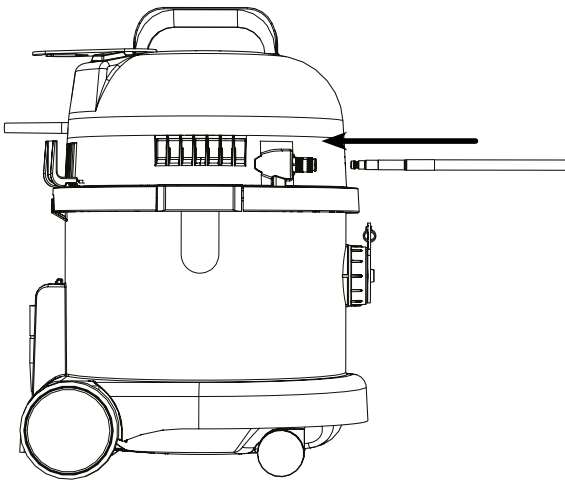


www.numatic.com

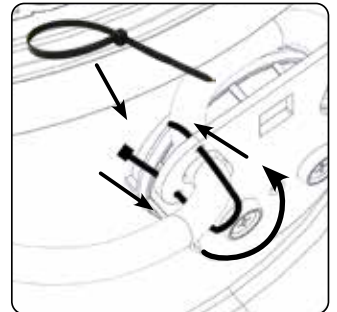
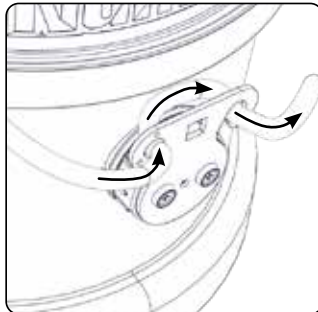
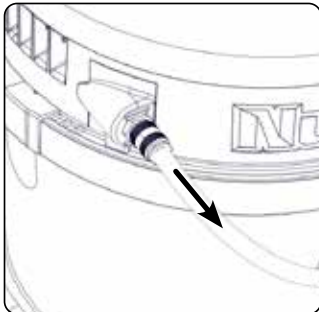
Kit - Lance, Hose & Lance holder.



Assembly - Solution Tube to Machine



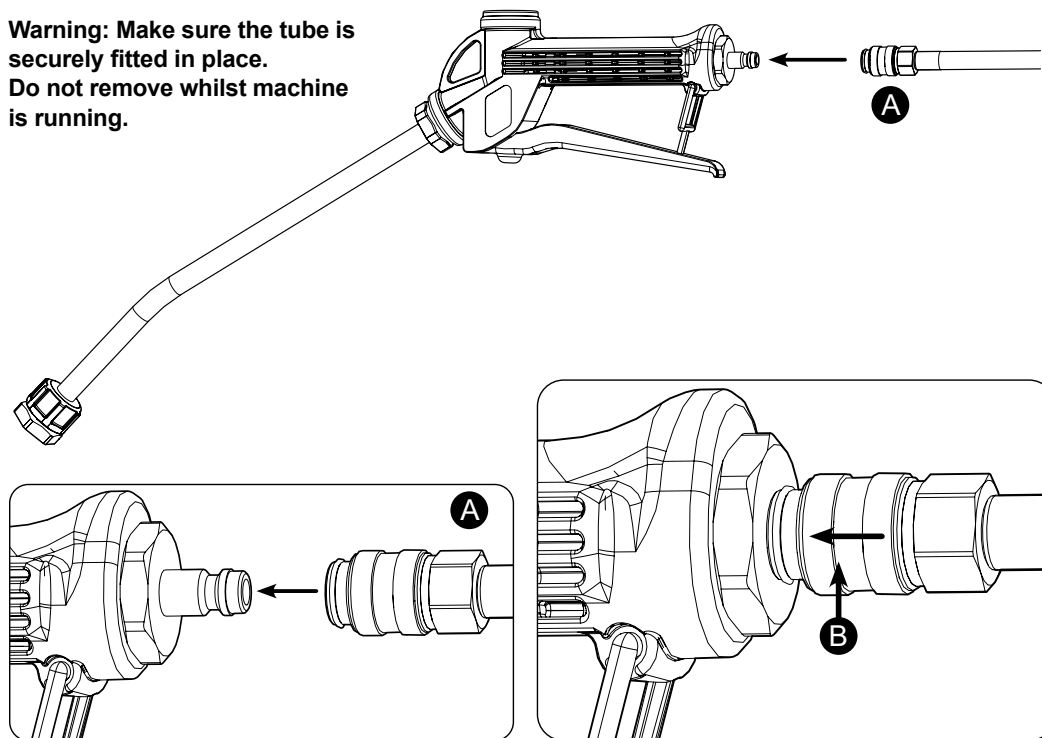
To release the tube pull the quick release connection in the direction shown (Fig A). Pull out the tube.
Warning: Make sure the tube is securely fitted in place. Do not remove whilst machine is running.



Important - Always electrically disconnect the machine after use, permanent damage can occur.

Assembly - Solution Tube to Spray Nozzle

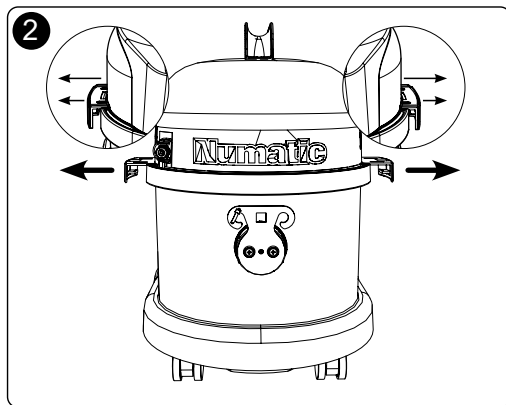
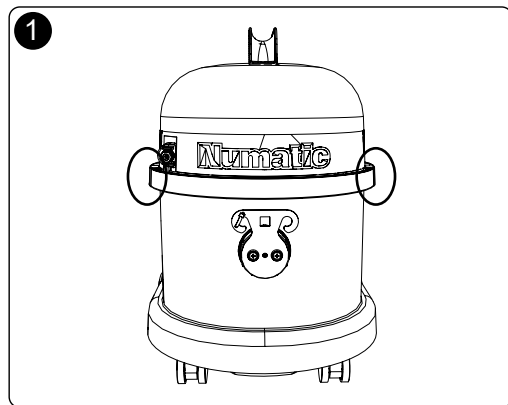
Warning: Make sure the tube is securely fitted in place. Do not remove whilst machine is running.

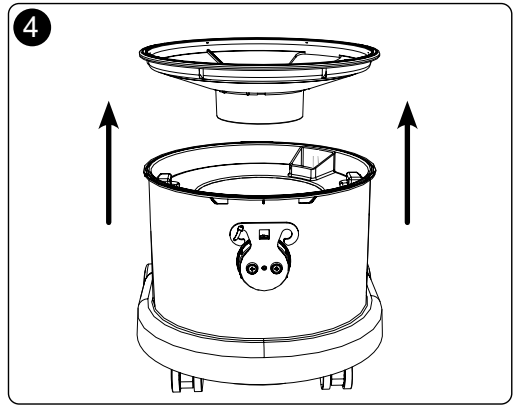
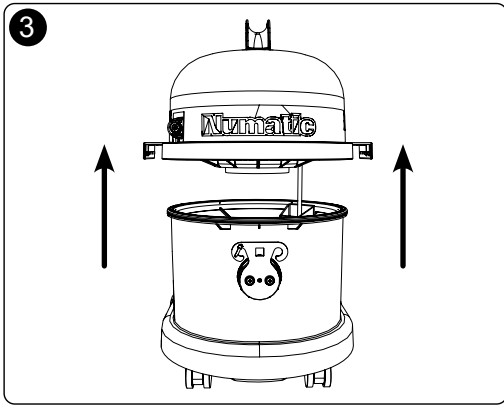


To release the tube push the quick release connection in the direction shown (Fig B). Pull out the tube.

Caution: The initial priming of the machine can take 1 to 2 minutes. Once the machine is primed, subsequent refilling of the solution tank will not require further priming of the machine.

Chemical Dosage Machine Setup





Chemical Dosage

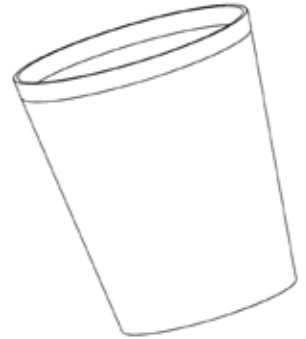
Chemical Dosage

The sanitiser chemical must be added to the 5 L tank first, to ensure the sanitiser solution is thoroughly mixed.

TECcare Dosage = 2 x 30ml (full cups) are required per 5 litres of cold water.

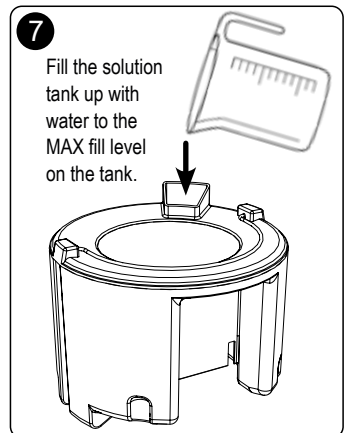
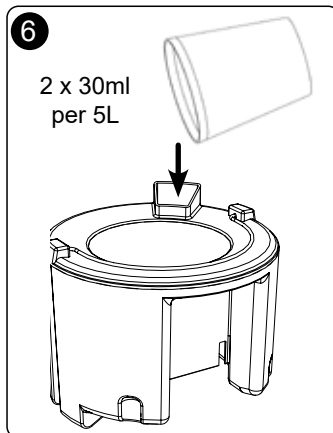
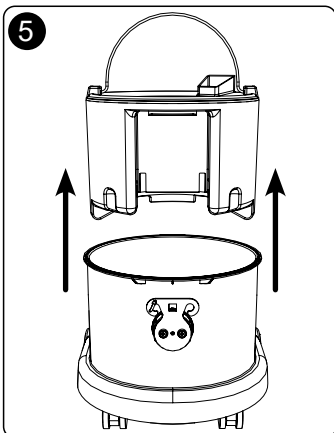
Note: 2 x 30ml of chemical dosage should be strictly adhered to and only applies to Numatic supplied chemical. Users must always refer to the manufactures data sheet for dilution rates.

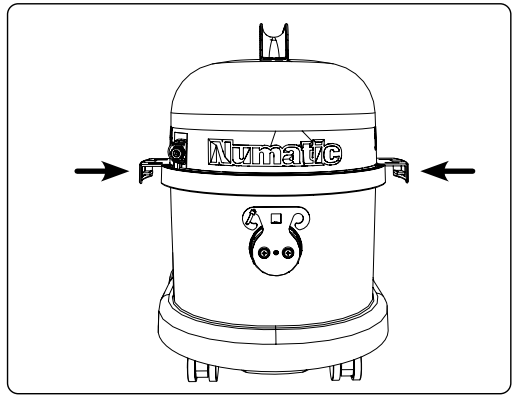
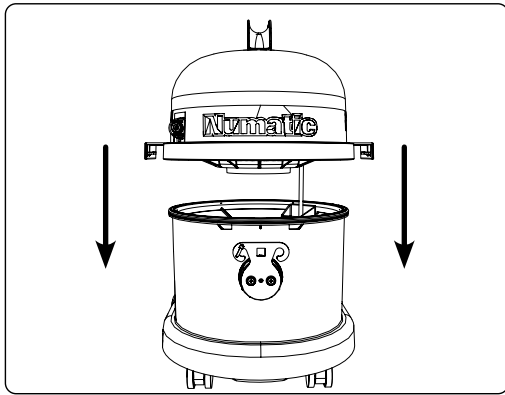
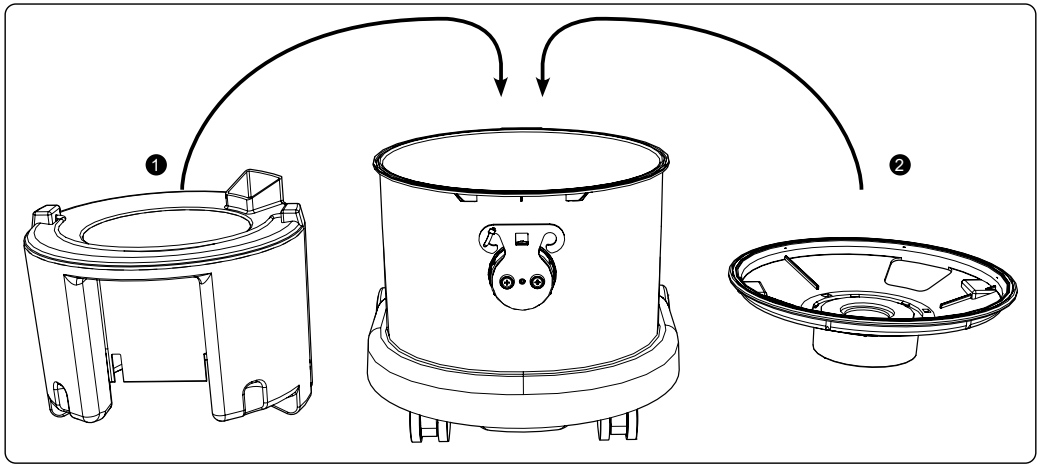
Chemical dosage cup (30ml) Part No – 912811.



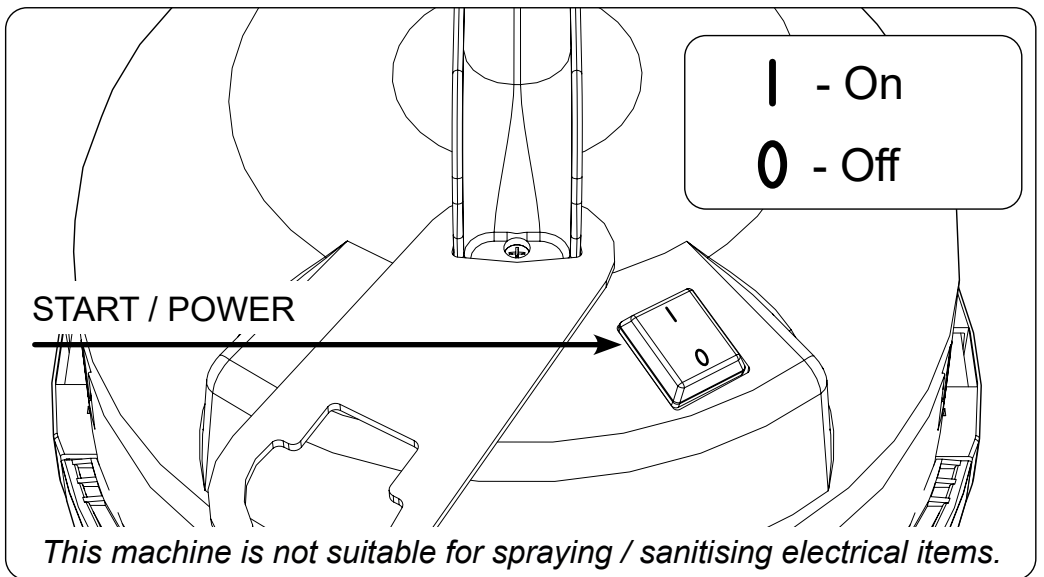
Warning: Any deviation from the manufacturer's dilution rates, could cause reduced cleaning strength or a high concentration of sanitising mist.

Make sure the correct PPE is worn when handling the chemical concentrated solution.

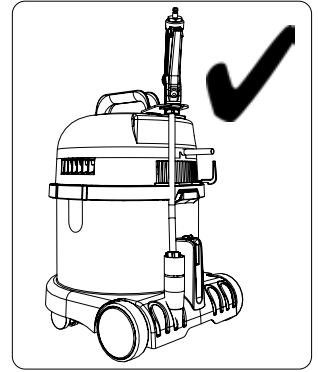
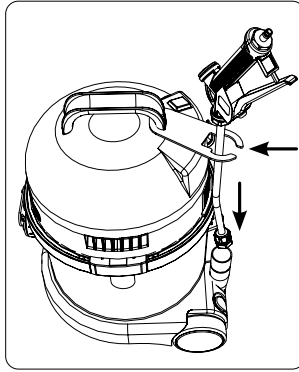
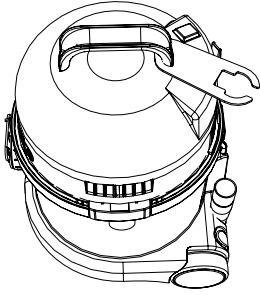




Power



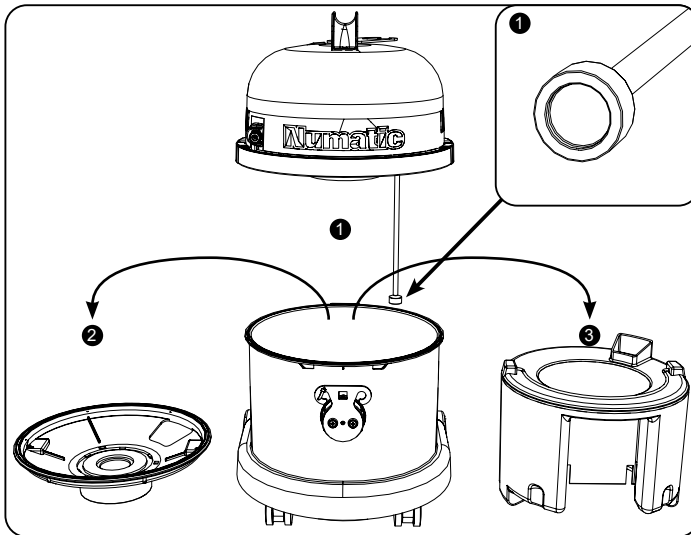
Lance Storage



Cleaning Machine

Important - Always electrically disconnect the machine after use, permanent damage can occur.

1. Removing the lance hose: The system must be de-pressurised before disconnecting the lance hose. This is achieved firstly by turning off the machine via the on / off switch and then disconnecting from the mains power. Depress the lance trigger to discharge any pressurised fluid left in the system. Remove the lance via the quick release connection and then release the lance hose via the quick release connection located on the NSU370

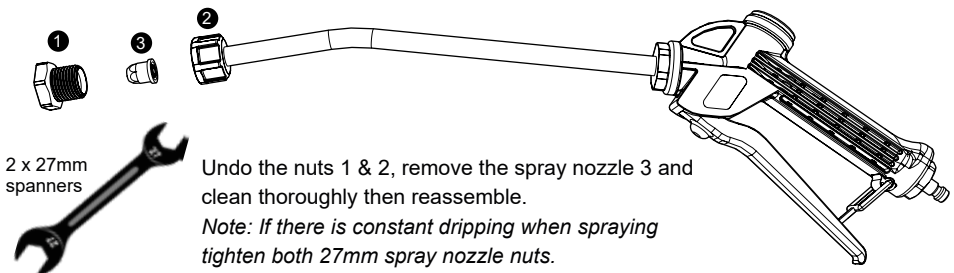


head. A small amount of cleaning solution may still leak after the hose is disconnected. Always wear eye protection and gloves whilst performing this operation. Failure to adhere to this procedure may result in pressurised fluid being discharged.

2. Remove machine head and clean solution pickup tube filter. Fig 1
3. Remove filter grid. Fig 2
4. Remove, clean and rinse out internal solution tank after each use. Fig 3

Note: wear appropriate PPE whilst cleaning machine.

Cleaning Spray Lance



2 x 27mm spanners

Undo the nuts 1 & 2, remove the spray nozzle 3 and clean thoroughly then reassemble.

Note: If there is constant dripping when spraying tighten both 27mm spray nozzle nuts.

Chemical Information

Note: *Inappropriate selection of disinfectant solution may result in damage to unit including corrosion, pump failure, reduction in mist performance etc. The NSU is fully compatible with disinfection solutions based on Quaternary Ammonium Salts or Hypochlorous Acid using appropriate dilution levels. Use of other chemical / disinfectant solutions may invalidate warranty. Never spray into or towards faces.*

WARNING IF IN EYES: *Rinse cautiously with water for several minutes. Remove contact lenses, if present and easy to do. Continue rinsing. If eye irritation persists: Get medical advice/attention. If medical advice is needed, have product container or label at hand.*

Always refer to the MSDS (manufacturer's safety data sheet) for safe usage and disposal.

Only use the chemicals / detergent solution provided. Replacements available from Numatic.

TECcare CONTROL Concentrate.



Hazards Identification

P264: Wash hands thoroughly after handling

P280: Wear protective gloves/eye protection

P305+351+338: IF IN EYES: Rinse cautiously with water for several minutes. Remove contact lenses, if present and easy to do.

Continue rinsing.

P302+352: IF ON SKIN: Wash with plenty of water.

P304+340: IF INHALED: Remove person to fresh air and keep comfortable for breathing.

P312: Call a doctor if you feel unwell.

This chemical should be kept in the packaging/container provided, as other containers might not provide the required protection and preservation of the chemical.

Environmental precautions: Do not discharge in to drains or rivers.



TECcare CONTROL Concentrate Hazardous ingredients:

DIDCYLDIMETHYLAMMONIUM CHLORIDE

EINECS	CAS	CHIP Classification	CLP Classification	Percent
230-525-2	7173-51-5	Xn: R22; C: R34	Acute Tox. 4: H302; Skin Corr. 1B: H314 H314	<4.5 %

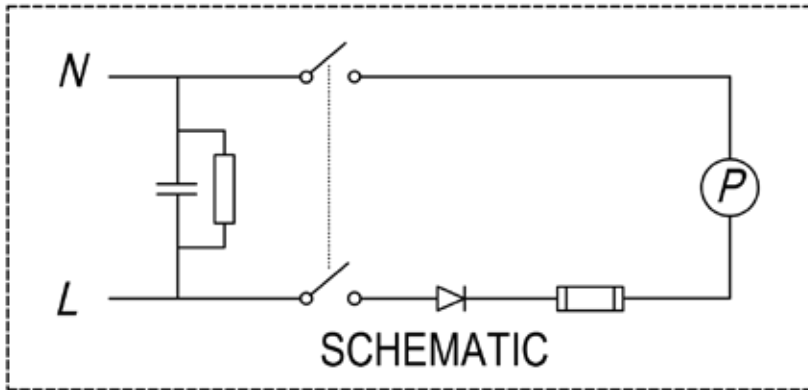
ALKYL DIMETHYL BENZYL AMMONIUM CHLORIDE

EINECS	CAS	CHIP Classification	CLP Classification	Percent
270-325-2	68424-85-1	Xn: R21/22; C: R34; N: R50	Acute Tox. 4: H302; Skin Corr. 1B: H314; Aquatic Acute 1: H400	<2.5 %

Machine data

Model	Voltage	Cleaning range	Weight (Ready to work)	Sound pressure (LpA) Uncertainty (KpA)	Protection class	Dimensions
NSU370	220V-240V 50Hz	12m	12.2kg	63dB (A) 0.5dB	Class II	360mm x 370mm x 510mm
Hand / Arm Vibration	Fluid Container	Flow Rate	Rated Power	Pressure Rating	Machine Weight	IP Rating
ah \leq 2,5 m/s ²	5L Max	150ml/min	45W	15bar	7.2kg	IPX4

Schematic diagram

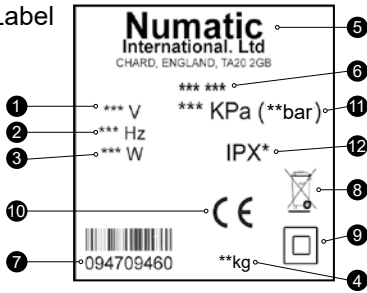


Replacement parts

Chemical	
912792	6 x 250ml bottles of Numatic replenishment chemical
912799	6 x 1L bottles of Numatic replenishment chemical
Spares and Accessories	
912984	Lance Kit (with fittings and nozzle)
912985	Pack of Nozzles
912986	Extension Hose 1.2m
912987	Replacement Hose 2.2m
912988	Replacement Chemical Container
912989	Pump Kit
912990	Cable Kit
912991	Wheel Kit
912992	Replacement Cable Retainer Clips

About your machine

Rating Label



1	Voltage	7	Machine yr/wk Serial number
2	Frequency	8	WEEE Logo
3	Rated Input power	9	Protection class 2 symbol
4	Weight (ready to work)	10	CE Mark
5	Company name & address	11	MAX pressure
6	Model	12	Splash proof rating

Trouble shooting:

- Poor flow: check filter on the solution pickup tube and clean if dirty. Check the filter inside of the lance and clean if dirty.
- Poor spray pattern: check nozzle face for contamination, clean with a wire brush if dirty.
- Constant dripping whilst spraying: check nozzle face for contamination, clean with a wire brush if dirty.

Maintenance:

- Clean solution pickup tube filter.
- Clean nozzle filter.
- Clean nozzle face.
- Check for any worn or damaged parts and replace immediately.

Trouble shooting / Maintenance

WEEE (Waste, Electrical and Electronic Equipment)

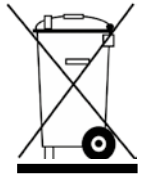
NSU370 Accessories and packaging should be sorted for environmentally-friendly recycling.

Only for EU countries.

Do not dispose of NSU370 into household waste.

According to the European Directive 2012/19/EU on waste electrical electronic equipment and its incorporation into national law.

NSU370 that are no longer suitable for use must be separated, collected and sent for recovery in an environmentally-friendly manner.



PPE (Personal protective equipment) that may be required for certain operations.

Ear Protection	Safety Footwear	Head Protection	Safety Gloves	
Dust / Allergens Protection	Eye Protection	Protective Clothing	Hi-Vis Jacket	Caution Wet Floor Sign

NOTE: A risk assessment should be conducted to determine which PPE should be worn.

Safety Critical Components

Mains leads: HO5VV-F 10 m x 2 Core x 1.00 mm²

Failure to rectify the problem or in the event of a breakdown contact your Numatic dealer or the Numatic Technical helpline +44 (0)1460 269268

Information for Sanitising machines



ORIGINAL INSTRUCTIONS:- READ MANUAL BEFORE USE.



WARNING

Read the instruction manual before using the machine.

Operators shall be adequately instructed on the use of their machine.

As with all electrical equipment, care and attention must be exercised at all times during use, in addition to

ensuring that routine and preventative maintenance is carried out periodically to ensure safe operation.

Failure to carry out maintenance as necessary, including the replacement of parts to the correct standard could render this equipment unsafe and the manufacturer can accept no responsibility in this respect.

Maintenance should only be carried out by a qualified person.

The machine shall be disconnected from the mains by removing the plug from the supply socket during cleaning or maintenance and when replacing parts.

Liquid ejected from the machine could be hazardous as a result of its temperature, pressure or chemical content.

This machine is not to be used by children or persons with reduced physical, sensory or mental capabilities, or lack of experience or knowledge.

This appliance is intended to be cleaned and maintained by an adult.

Children being supervised are not to play with the machine.

This machine is not a toy.

Never spray into or towards faces.



CAUTION

This machine should be stored indoors only.

This machine is intended for indoor use only.

Release pressure in hose/lance by switching off the machine and activating the lance, before disconnecting any pipe connections.

The initial priming of the machine can take 1 to 2 minutes. Once the machine is primed, subsequent refilling of the solution tank will not require further priming of the machine.

NOTE:

The primary use for this machine is commercial, for example in hotels, schools, hospitals, factories, shops and offices.

This product complies with the requirements of clause 20 of IEC/EN 60335-2-68 Stability and Mechanical Hazards.

When moving from one place to another, consider the weight of the machine.

Misuse during operation:

- Always secure the NSU370 head to the drum via the two toggles located on the side of the machine before moving.
- Never tip the machine over with fluid still in the fluid container.
- Only pull the NSU370 via the lance whilst cleaning on even surfaces. For transportation always use the carry handle.
- Only Numatic approved hoses, lance and nozzles to be used.



DO


- The mains lead should be fully unwound before use.
- Keep your machine clean including hoses and tubes.
- Keep filters clean.
- Replace any worn or damaged parts immediately.
- Regularly examine the power cord. If damage is found such as cracking or aging the power cord must be replaced by a qualified person.
- Only replace the power cord with the correct approved replacement part.



DON'T

- Pull on the cable to unplug the machine from the power supply.
- Use steam cleaners or pressure washers to clean the machine or use in the rain.
- Immerse in water for cleaning.
- Attempt machine maintenance or cleaning unless the power supply plug has been removed from the supply outlet.

Declaration of conformity

<p>EU, EC, EL, UE, ES: Declaration of Conformity Prohlášení o shodě Konformitätserklärung Overensstemmelseerklæring Declaración de conformidad Vastavusdeklaratsioon Déclaration de conformité</p>	<p>Декларация за съответствие Δήλωση συμμόρφωσης Megfelelőségi nyilatkozat Dichiarazione di conformità Attitities deklaracija Conformiteitsverklaring Samsvarserklæring Declaração de conformidade</p>	<p>Deklaracija zgodnosti Declaratie de conformitate Декларация о соответствии Försäkran om överensstämmelse Izjava o skladnosti Vaatimustenmukaisuusvakuutus</p>
<p>Manufacturer: / Výrobce / Hersteller / Fabrikant / Fabricante / Tootja / Fabricant / производитель / Κατασκευαστής / Gyártó / Fabbicante / Gamintojas / Fabrikant / Produzent / Fabricante / Producent / Producător / производитель / Tillverkare / Proizvajalca / Valmistaja:</p>		<p>Numatic International Limited Chard Somerset TA20 2GB www.numatic.co.uk</p> 
<p>Product: / Produkt / Produkt / Produkt / Producto, Toode, Produit / Продукт / Προϊόν / Termék / Prodotto / Produktas / Artikel / Produkt / Produtos / Produkt / Produis / товар / Produkt / Izdelka / Tuote:</p>		<p>NSU</p>
<p>Description: / Popis / Beschreibung / Beskrivelse / Descripción / Kirjeldus / La description / Описание / Περιγραφή / Leirás / Descrizione / Apibudinimas / Omschrijving / Beskrivelse / Descrição / Opis / Descriere / Описание / Beskrivning / Opis / Kuvas:</p>		<p>Mains Powered Sprayer/Sanitiser – Commercial</p>
<p>GB We, Numatic hereby declare under our sole responsibility, that the above-mentioned product(s) is/are in conformity with the following directives and standards.</p> <p>CZ My, Numatic prohlašujeme na svou vylučnou odpovědnost, že výše uvedený výrobek je ve shodě s následujícími směrniciemi a normami.</p> <p>DE Wir, Numatic erklären in alleiniger Verantwortung, dass das oben genannte Produkt den folgenden Richtlinien und Normen entspricht.</p> <p>DK Vi, Numatic erklærer hermed under eget ansvar at ovennævnte produkt(er) er i overensstemmelse med følgende direktiver og standarder.</p> <p>ES Nosotros, Numatic declaramos bajo nuestra única responsabilidad que el producto antes mencionado está en conformidad con las siguientes directivas y normas</p> <p>EE Meie, Numatic Käesolevaga kinnitame ja kanname ainuiskulist vastutust, et eespool nimetatud toode on kooskõlas järgmistele direktiivide ja</p> <p>FR Numatic déclare sous notre seule responsabilité que le produit mentionné ci-dessus est conforme aux directives et normes suivantes.</p> <p>BG Ние, Numatic С настоящото декларираме на своя лична отговорност, че посочените по-горе продуктът е в съответствие със следните директиви и стандарти.</p> <p>GR Εμείς, Numatic δηλώνουμε με αποκλειστική μας ευθύνη, ότι το προαναφερόμενο προϊόν συμμορφώνεται με τις ακόλουθες οδηγίες και πρότυπα.</p> <p>HU Mi, Numatic kijelentjük, egyedüli felelősséggel, hogy a fent említett termék megfelel az alábbi irányelveknek és szabványoknak</p> <p>IT Noi, Numatic dichiara sotto la propria responsabilità, che il prodotto di cui sopra è conforme alle seguenti direttive e norme.</p> <p>LT Mes, "Numatic pareiškiu vienašališkos atsakomybės, kad pirmiau minėtas produktas atitinka šias direktyvas ir standartus</p> <p>NL We verklaren Numatic hierbij op eigen verantwoordelijkheid, dat het bovengenoemde product voldoet aan de volgende richtlijnen en normen</p> <p>NO Vi, Numatic erklærer herved under eget ansvar, at det ovennevnte produktet er i samsvar med følgende direktiver og standarder</p> <p>PT Nós, a Numatic declaramos, sob nossa exclusiva responsabilidade, que o produto acima mencionado está em conformidade com as diretrizes e normas a seguir.</p> <p>PL My, Numatic Niniejszym oświadczamy z pełną odpowiedzialnością, że wyżej wymieniony produkt jest zgodny z następującymi dyrektywami i normami.</p> <p>RO Noi, Numatic Prin prezenta declarăm pe propria răspundere, că produsul mai sus menționat este în conformitate cu următoarele standarde și directive.</p> <p>RU Мы, Нилфиск овим изъавляем под пным одговорношћу, да наведеног производ је у складу са следећим директивама и стандардима.</p> <p>SE Vi Numatic förklarar härmed under eget ansvar att ovan nämnda produkt överensstämmer med följande direktiv och normer.</p> <p>SI Mi, Numatic izjavljam s polno odgovornostjo, da je zgoraj omenjeni izdelek v skladu z naslednjimi smernicami in standardi.</p> <p>FI Me, Numatic täten vakuutamme omalla vastuulla, että edellä mainittu tuote on yhdenmukainen seuraavien direktiivien ja standardien mukaisesti</p>		
<p>2006/42/EC</p>	<p>Machinery Directive</p>	<p>EN60335-1:2012 + AC:2014 + A11:2014 + A13:2017 EN60335-2-68:2012 EN62233:2008</p>
<p>2014/30/EU</p>	<p>EMC Directive</p>	<p>EN55014-1:2006 + A1:2009 + A2:2011 EN55014-2:1997 + A1:2001 + A2:2008 EN61000-3-2:2014 EN61000-3-3:2013</p>
<p>2011/65/EU</p>	<p>RoHS Directive</p>	

Authorised Signatory: Mr. Allyn Boyes

Position: Head of Research & Development

Numatic International Limited

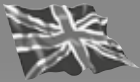
Chard,

Signed:

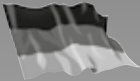


Date: 12th Oct 2020

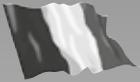
Somerset, TA20 2GB, UK



Numatic International Limited.
Chard, Somerset TA20 2GB ENGLAND
Tel: 01460 68600 www.numatic.co.uk



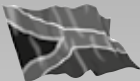
Numatic International GmbH. Fränkische Straße 15–19
D-30455 Hannover, DEUTSCHLAND
Tel: 05 11 98 42 16 0 www.numatic.de



Numatic International SAS. EAE La Tuilerie – 13 / 17 rue du Valengelier
77500 CHELLES, FRANCE
Tel: 01 64 72 61 61 www.numatic.fr



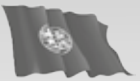
BeNeLux Distribution, Numatic International BV
Postbus 101, 2400 AC Alphen aan den Rijn, NEDERLAND
Tel: 0172 467 999 www.numatic.nl



Numatic International (Pty.) Ltd.
16th & Pharmaceutical Roads, Midrand, Gauteng,
SOUTH AFRICA 1685
Tel: 0861 686 284 www.numatic.co.za



Numatic International Schweiz AG.
Sihlbruggstrasse 3A, 6340 Baar. SCHWEIZ
Tel: 0041 (0) 41 76 80 76 - 0 www.numatic.ch



Numatic International ULDA. Rua da Boa Viagem, 177
4470.210 Maia. PORTUGAL
Tel: +351 220 047 700 www.numatic.pt



Numatic International SLU. C/ La Forja, 41, 08840 Viladecans
(Barcelona), Spain
Tel: +34 93 647 22 22 www.numatic.es

Specification subject to change without prior notice
www.numatic.co.uk © Numatic International Limited