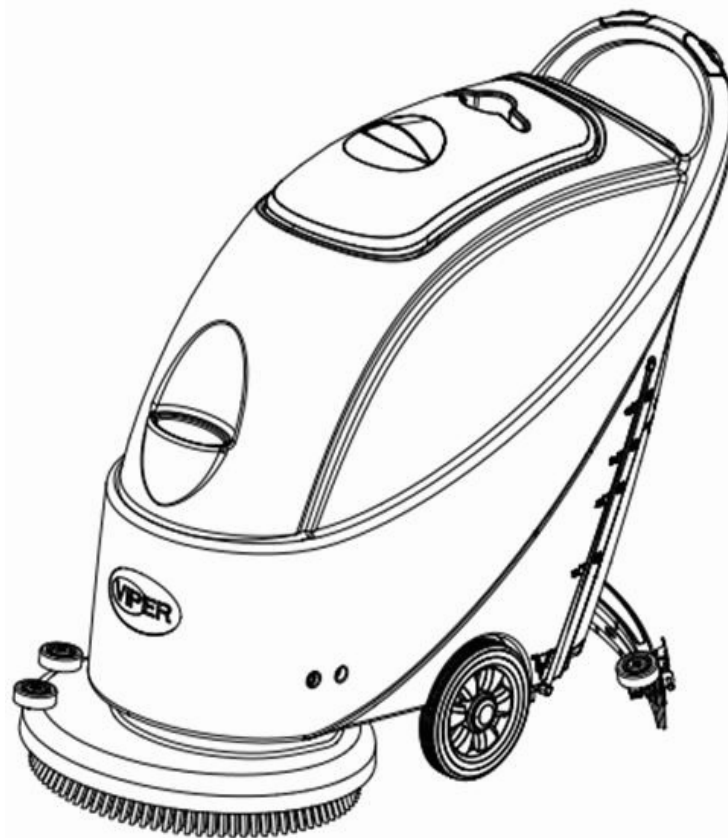




Scrubber User Manual

AS430B & AS510B



Company information:
www.vipercleaning.eu
info-eu@vipercleaning.com

VF90012-EU
Rev.03

TABLE OF CONTENTS

ENGLISH	USER MANUAL.....	1-18
DEUTSCH	BETRIEBSANLEITUNG.....	19-37
FRANÇAIS	MANUEL UTILISATEUR.....	38-55
NEDERLANDS	GEBRUIKERS HANDLEIDING	56-73
ITALIANO	MANUALE D'USO.....	74-91
ESPAÑOL	ISTRUZIONI PER L'USO.....	92-110
PORTUGUÊS	MANUAL DO UTILIZADOR.....	111-128
ΕΛΛΗΝΙΚΑ	ΕΓΧΕΙΡΙΔΙΟ ΧΡΗΣΤΗ	129-147
TÜRKÇE	KULLANIM KILAVUZU.....	148-165
ČESKÝ	UŽIVATELSKÝ MANUÁL.....	166-183
POLSKI	INSTRUKCJA OBSŁUGI.....	184-201
MAGYAR	FELHASZNÁLÓI KÉZIKÖNYV.....	202-219
ROMÂNĂ	MANUALUL UTILIZATORULUI.....	220-237
РУССКИЙ	ИСТРУКЦИЯ ПО ПРИМЕНЕНИЮ.....	238-256
БЪЛГАРСКИ	РЪКОВОДСТВО НА ПОТРЕБИТЕЛЯ.....	257-274
SLOVENŠČINA	NAVODILA ZA UPORABO	275-292
DANSK	BRUGERMANUAL.....	293-310
SVENSKA	BRUKSANVISNING.....	311-328
NORSK	BRUKERHÅNDBOK.....	329-346
SUOMI	KÄYTTÄJÄN OPAS.....	347-364

TABLE OF CONTENTS

INTRODUCTION.....2

 MANUAL CONTENTS2

 PURPOSE.....2

 SPARE PARTS AND MAINTENANCE.....2

 CHANGES AND IMPROVEMENTS2

 SCOPE OF APPLICATION2

 IDENTIFICATION DATA.....2

 UNPACKING/TRANSPORT.....2

 GENERAL SAFETY GUIDES3

 TECHNICAL DATA.....4

MACHINE DESCRIPTION.....4

 MACHINE STRUCTURE4

 CONTROL PANEL5

 DISPLAY WINDOW OF CHARGER INDICATION LIGHT.....6

GUIDE FOR USE.....6

 INSTALLING AND SETTING THE BATTERY OF THE NEW MACHINE.....6

 INSTALLING BATTERY AND SETTING BATTERY TYPE (WET OR GEL/AGM)7

 BEFORE MACHINE START-UP8

 INSTALLING AND UNLOADING THE BRUSH / PAD-HOLDER.....8

 ADJUSTING THE BALANCE OF THE SQUEEGEE.....9

 REGULATING THE VOLUME OF WATER FLOW9

 MACHINE START AND STOP.....10

 MACHINE OPERATION (SCRUBBING AND DRYING).....10

 TANK EMPTYING11

 AFTER USING THE MACHINE12

 PERIODS OF INACTIVITY12

 USING FOR THE FIRST TIME12

MAINTENANCE AND CARE.....12

 SCHEDULED MAINTENANCE TABLE13

 BATTERY CHARGING.....13

 SQUEEGEE CLEANING14

 SQUEEGEE BLADE CHECK AND REPLACEMENT.....14

 BRUSH/POLISHING PAD CLEANING15

 WATER TANK AND FLOAT FILTER MESH CLEANING15

 SOLUTION FILTER CLEANING16

 CIRCUIT FIGURE OF AS430B AND AS510B17

TROUBLESHOOTING.....18

MACHINE DISPOSAL18

INTRODUCTION



NOTE

The numbers in brackets refer to the related components shown in Machine Description section.

MANUAL CONTENTS

This manual is to provide the operator with the necessary information to use this machine properly and safely. The information includes the technical data, safety, operation, storage, maintenance and disposal of the machine. The operator and technicians with related qualifications must study this manual carefully before commencing the operation and maintenance of this machine. Please contact VIPER for any queries on the explanation of this manual or when further related information is needed.

PURPOSE

The intention of this manual is to enable the operator and qualified technicians to accomplish the maintenance of this machine.

The operator must not perform those operations that should only be performed by technicians. VIPER will not be responsible for any damages caused by the violation of this rule.

SPARE PARTS AND MAINTENANCE

All necessary operation, maintenance, and repair procedures must be performed by qualified personnel or by the service centers of VIPER.

Only Authorised spare parts and accessories should be used.

If service and ordering of spare parts or accessories are needed, please contact VIPER with the model number of the machine and serial numbers.

CHANGES AND IMPROVEMENTS

VIPER makes continuous improvements on its products. VIPER reserves the right of changing and improving the machines, and also the right of deciding by itself whether the benefits brought about by the changes are applicable to the products already sold. All changes or extra accessories must be agreed by VIPER and must be performed by the company.

SCOPE OF APPLICATION

This scrubber is used in a domestic and industrial environment, and is suitable for the cleaning of smooth and hard floors (scrubbing and waste water collection). It must be used by qualified operators and in a safe environment. This scrubber can not be used for cleaning outdoors, on carpets, and on relatively coarse floors.

IDENTIFICATION DATA

The machine model and serial number are marked on the plate (4).

This information is useful when requiring machine spare parts, Use the following table to write down the machine identification data.

MACHINE mode.....
MACHINE serial number.....

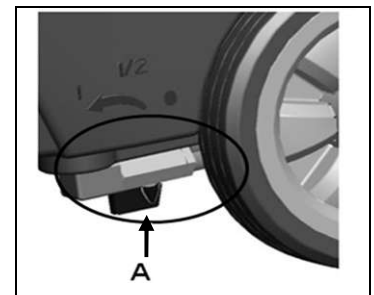
UNPACKING/TRANSPORT

Please follow carefully the instructions on the package when unpacking. On delivery, please inspect the packing and the machine to ensure no damage has been done during transport. If there is any visible damage, please keep the original form, and ask the carrier to confirm and fill out a list of damages for compensation.



— CAUTION

When unpacking and unloading, or during moving the machine across ground with steps, please take care to avoid hitting the on/off switch regulating the water flow, Part A in the figure on the right.



Check if the machine is equipped with the following items:

1. Technical documents
 - Scrubber User Manual
 - On-board Charger Manual (if equipped)
2. connector for Charger (if not equipped with on-board charger, it is on the specified external charger)

GENERAL SAFETY GUIDES

The following are special warnings and notices on potential damages (personnel and machine):



WARNING!

- Machine may only be operated under the guidance of this manual. Only accessories approved by VIPER should be used.
- This machine must be only used by duly trained or authorised personnel. Children or inappropriate persons must not use this machine.
- Under normal use, the battery may emit inflammable gas. The battery must be kept away from radiating, illuminating, and burning items as well as sparks. When the machine is being used, please ensure that the environment is well ventilated and is away from naked flames. When charging, please do not smoke in the vicinity of the machine.
- Please disconnect the battery prior to the performance of any maintenance/repair operations.
- Before using the on-board charger, please ensure that the values of voltage and frequency as indicated on the serial number sticker match those of the mains.
- When working near electrical parts, please do not wear any jewelry. Please take all precautionary measures to avoid the hair, jewelry, and loose fitting clothes from being caught by any moving parts of the machine.
- Please do not use this machine in particularly dirty areas. Do not wash the machine directly with water. Do not let the machine come in touch with corrosive liquids.
- The temperature for storage and for working environment of the machine must be between 0 - 40°C.
- The humidity of air must be between 30% - 105%.
- Please do not use the machine on a slope with a gradient of more than 2%.
- In case of fire, please use dry powder fire extinguishers. Do not use liquid fire extinguishers.
- Particular attention should be paid when the machine is transported below 0°C. The water tank and the water in the hoses may freeze and cause serious damages to the machine.
- Use brushes and pads supplied with the machine and those specified in the User Manual. Using other brushes or pads could reduce safety.
- In case of machine malfunction, please make sure that it is not caused by lack of maintenance. If it is caused by other conditions, please seek the assistance of authorised personnel or the service center.
- If it is confirmed that the spare parts must be replaced, please secure the genuine parts from authorised dealers or agents.
- In order to ensure the safe and proper operation of the machine, please let authorised personnel or the service center perform the scheduled maintenance according to the maintenance schedules in the related sections of the manual.
- This machine must be properly disposed of because there may exist poisonous and hazardous matters (batteries, etc.), and these matters must be disposed of by special centers in accordance with related laws and regulations (please refer to machine disposal section).

TECHNICAL DATA

Model	AS430B	AS510B
Machine Height	980mm	
Solution tank capacity	40 litre	
Recovery tank capacity	40 litre	
Diameter of transport wheel	200mm	
Diameter of guide wheel	76mm	
Power of vacuum system motor	350w	
Maximum gradient when working	2%(Max)	
Sound pressure level at workstation	70dB(A) ±3dB(A)	
Standard batteries	(2×12V) 24V 85Ah AGM	(2×12V) 24V 105Ah AGM
Battery compartment size (W x L x H)	340 x 330 x 260mm(Max)	
Vacuum system circuit capacity	1200 mm H ₂ O	
Cleaning width	430mm	510mm
Squeegee width	730mm	790mm
machine maximum length	1060mm	1100mm
Machine width without squeegee	480mm	540mm
Brush diameter	430mm	510mm
Weight with batteries and with empty tanks	112kg	128kg
Gross weight of the machine ready for use	152kg	168kg
Brush motor power	550W	560W
Brush speed	150rpm	
Brush /pad-holder Maximum pressure	30kg (Max)	35kg(Max)
Packing size (Lx W x H)	1200 x 610 x 1170mm	

MACHINE DESCRIPTION**MACHINE STRUCTURE**

- | | |
|--|--|
| 1. Safety switch button | 20. Squeegee adjusting handwheel |
| 2. Handlebar | 21. Squeegee rear support frame |
| 3. Control panel | 22. Squeegee front support frame |
| 4. Serial number plate/Technical data / Conformity certification | 23. Cup holder |
| 5. Control cover | 24. Recovery tank cover handle |
| 6. Cable holder (*) | 25. Recovery tank cover |
| 7. Battery charging indication light | 26. Tank body |
| 8. Reset switch | 27. Water inlet cover |
| 9. Battery connector | 28. Brush deck |
| 10. Battery cover | 29. Brush / pad-holder |
| 11. Vacuum tube for waste | 30. Vacuum system motor |
| 12. Squeegee drawing cord | 31. Brush motor |
| 13. Battery connector safety cover | 32. 8" wheel |
| 14. Squeegee lifting handle | 33. Battery |
| 15. Draining hose | 34. Vacuum tube |
| 16. Squeegee fixed knob | 35. Charger (*) |
| 17. Squeegee clip | 36. Float filter |
| 18. Squeegee blade | 37. Water level tube (to indicate amount of water in Solution tank) |
| 19. Squeegee support frame | |

(*) applicable only to machines already installed with on-board charger (optional)

FIGURES OF MACHINE STRUCTURE

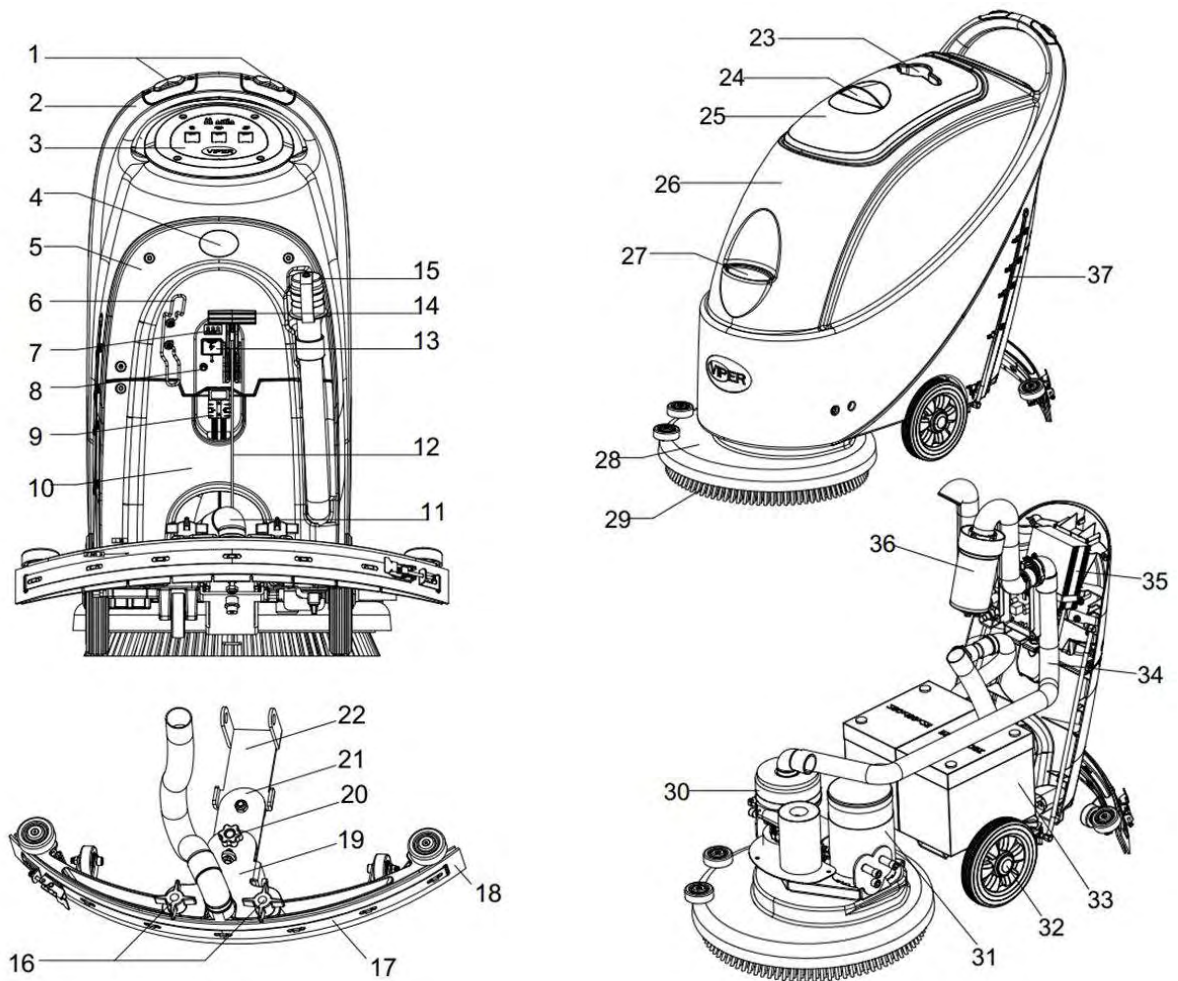


Figure 1

CONTROL PANEL (Figure2)

- 38. Battery charge indication light (green when saturated)
- 39. Battery exhausted indication light (red)
- 40. Battery exhausted indication light (red)
- 41. Power switch
- 42. Vacuum switch
- 43. Timer (optional, used to record working time of brush)
- 44. Solenoid valve switch for water spraying control

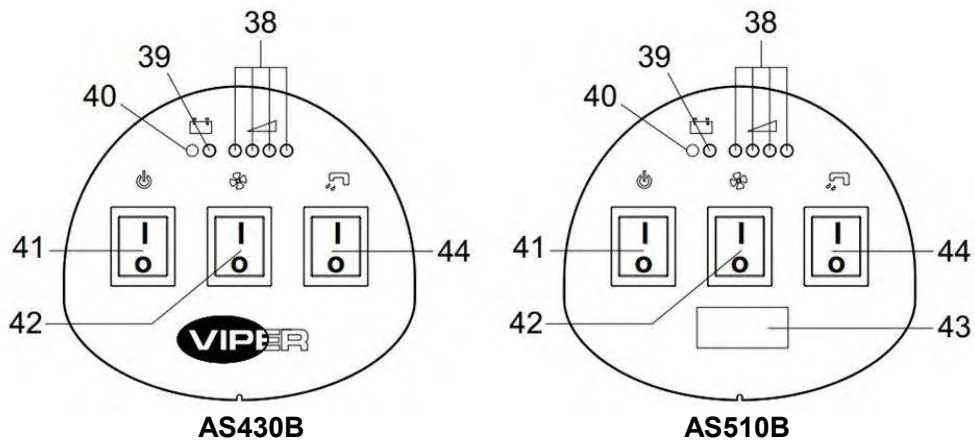


Figure 2

DISPLAY WINDOW OF CHARGER INDICATION LIGHT (Figure 3)

(Optional, applicable to models with built-in charger)

1. When charging starts, the red indication light of the charger (45) flashes a few times and then steadies to become a permanent red indication light, entering into the first stage of charging;
2. After charging for a period of time, the red indication light of the charger (45) will go out, A yellow indication light (46) will light up permanently: entering the second stage of charging;
3. After charging for approximately 10 hours, the amber indication light (46) will turn off, (47) The green indication light will become permanently lit, indicating that the charge is full, and charging has ended.

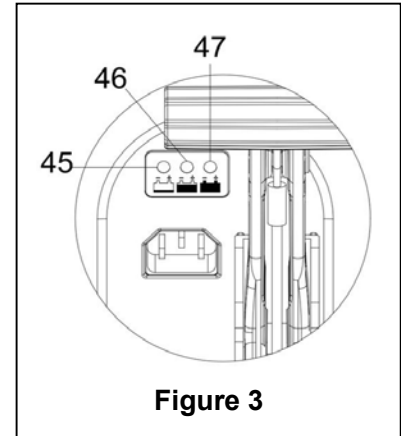


Figure 3



NOTE

- 1) During charging, If the yellow indication light flashes: the battery is not of the type compatible to the charger, or the battery is not properly connected, or a short circuit has taken place at the output terminal.
- 2) If the red indication light is flashing: a short circuit inside the charger. (For details, please refer to the related sections in the charger instruction.)

GUIDE FOR USE



WARNING

On certain parts of the machine are pasted some indicative signs:

- DANGER
- WARNING
- CAUTION
- CONSULTATION

When reading this manual, the operator must pay particular attentions to the symbols on these signs. Under no circumstances shall these signs be covered. If they are damaged, please replace immediately.

INSTALLING AND SETTING THE BATTERY OF THE NEW MACHINE



WARNING

If the battery is incorrectly installed or inaccurately connected, the electric components of the machine may be seriously damaged. The battery may only be installed by qualified personnel. According to the battery model number (WET or GEL) being used, set the functional circuit board and on-board charger (optional).

Please check if the battery is damaged before installing.

Disconnect the battery connector and the on-board charger plug.

Be careful when touching the battery.

This machine needs two (2) 12V batteries. Please connect as shown in **Figure 4** on the right.

This machine can supply any of the following models:

a) **Batteries (WET or GEL/ AGM) are already installed and can be used at any time.**

1. Check the battery. Through the connector (9) connect the battery to the machine.
2. (Only applicable to AS430B and AS510B): Press down the on/off switch (41). If the green light is on, it shows that the battery is ready for use. If the amber or red light is on, it shows that the battery needs charging. (Please refer to the section on maintenance for related procedures).

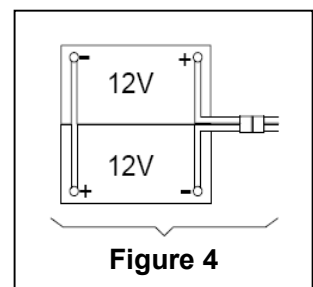


Figure 4

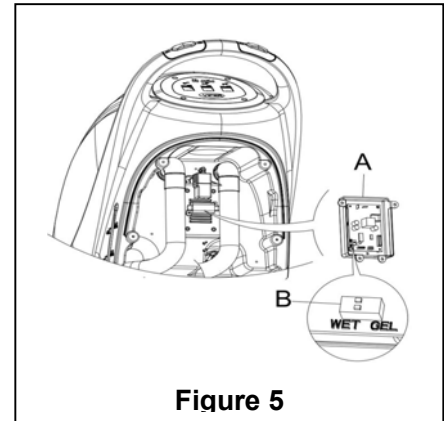
b) Without batteries

1. Purchase similar battery (refer to the section on technical parameters). Information on the selection of battery may be obtained from qualified battery agents.
2. Set the machine and the on-board charger (if equipped) according to the type of batteries (WET or GEL/AGM). Also read the following paragraph for the way to install the battery.

INSTALLING BATTERY AND SETTING BATTERY TYPE (WET OR GEL/AGM)

According to the battery type(WET or GEL/AGM) set the electric circuit board on the on-board charger. The procedures are as follows:

1. Make sure the connector of the battery is disconnected. If the machine is based on "AGM" battery at time of ex-factory, go directly to Step 8; otherwise, complete Steps 2, 3, and 4.
2. Take off draining hose (15)
3. If equipped with on-board charger, please take off the charge wire from the reel.
4. Take off the control cover (5), and the screws of the battery cover (10). Remove the screws on the PCB stand. The DIP switch (B) for setting the battery model can be seen when flipping over the PCB board. (See **Figure 5**)
5. Adjust the micro DIP switch (B) to the position of "WET",
6. Complete Steps 3, 4 and 5 in reverse order.

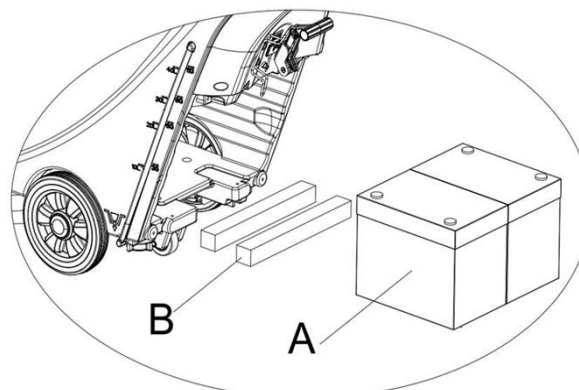
**Figure 5****Installing batteries**

7. Disconnect the battery connector (9) .
8. Open the recovery tanks cover (25) and check if the recovery tank is empty or not; if not, empty it through draining hose (15).
9. Unscrew the squeegee fixed knob (16), take off the connector connecting the vacuum tube for waste (11) to the squeegee, and then take off the squeegee.
10. Unscrew the screws of the battery cover (10) and remove the cover.
11. Unscrew the connector of the squeegee drawing cord (12) connecting to the squeegee bracket (19), and hang the squeegee drawing cord upwards.
12. Hang draining hose (15) and the vacuum tube for waste (11) upwards.
13. According to the size of the battery, push the fixation board in the battery box all the way inwards.

**NOTE**

The dimension of the battery must not exceed: H x W x H: 330mm x 170mm x 260mm. According to the varying dimensions of batteries, the requirements for the selection of fixed batteries are as follows:

1. For battery with length below 270mm, use 2 pieces of the fixation board (B, **Figure 6**) and place them side by side inside the water tank battery;
2. For battery with length between 310mm-270mm, use 1 piece of the fixation board (B, **Figure 6**) and place it in the water tank battery;
3. For battery with length between 330mm -310mm, there is no need for the fixation board to fix the position.

**Figure 6**

14. Install the battery with specially made battery installation tools (**A, Figure 7**). After the battery is installed, remove the battery installation tools, and install the battery fixation bracket (**B, Figure 7**).

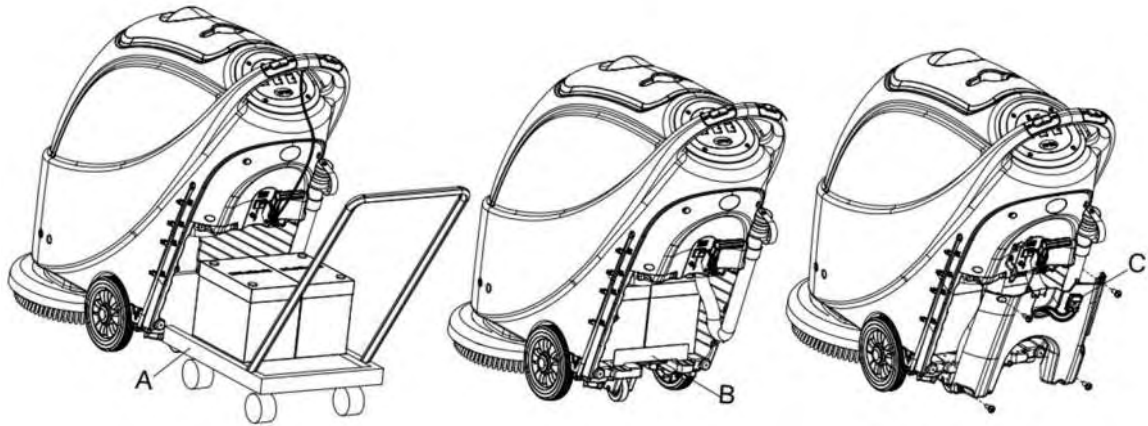


Figure 7

15. Put the battery connector (**C, Figure 7**) through the hole on the top of the battery box cover, put the draining hose through the right hole of the battery box cover, fix the battery box cover with 4 screws, and then install the squeegee drawing cord, draining hose, and the squeegee successively.

Charging the battery

16. To charge the battery (refer to the steps stated in the maintenance section).

BEFORE MACHINE START-UP

INSTALLING AND UNLOADING THE BRUSH / PAD-HOLDER



NOTE

According to the type of floor to be cleaned, the machine may be installed with brush (Figure 8, A), or a pad-holder (Figure 8, B and C).



CAUTION !

When manually installing or unloading the brush/pad-holder, first check if all the switches are in the off position and lift the squeegee off the floor, only after which can the brush or pad-holder be worked on. Furthermore, please put on protective gloves to avoid being cut by fragments.

- (Only applicable to **AS430B** and **AS510B**): make sure the switch (41) is at the disconnecting (**O**) condition.
- Press down the handlebar (2) to lift the tank body (26).
- Put the brush (A) or the pad-holder (B – C) under the case.
- Use the handlebar (2) to lower the tank body (26) to come into contact with the brush or pad-holder.
- To install the brush/pad-holder automatically, turn the power switch (41) to the “**I**” position and press down the safety switch (1). Gently push the machine forward so as to allow the belt wheel at the bottom of the tank body to align with the brush or pad-holder which can then be installed. Then release the safety switch. If necessary, repeat this procedure until the brush/pad-holder is installed.
- If Step 5 above proves to be difficult, use the manual method by following the arrow head (D) to install the brush/pad-holder (as shown in **Figure 8**).
- To automatically unload the brush/pad-holder, turn the power switch (41) to the “**O**” position. Use the hand to hold the handlebar, and press the machine downwards until the guide wheel touches the floor and the brush/pad-holder hangs in the air. Turn the power switch (41) to the “**I**” position, and press down the safety switch to let the brush or pad-holder turn until the brush/pad-holder drops to the floor.

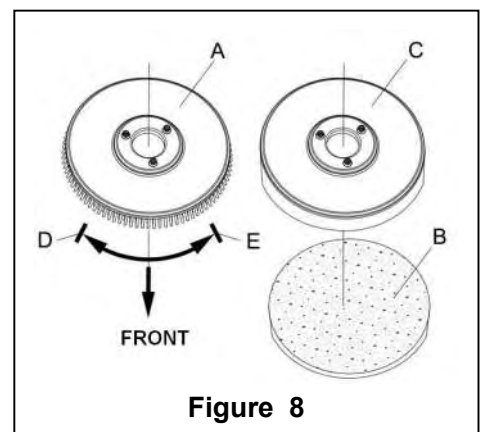


Figure 8

8. If Step No. 7 above proves to be difficult, use the manual method by turning the brush/pad-holder in the direction opposite to the normal turning direction, and it can be taken off. (as shown in **Figure 8**)

ADJUSTING THE BALANCE OF THE SQUEEGEE

9. Install the squeegee and turn it tight with the handle. Then connect the vacuum tube for waste to the squeegee.
10. Adjust the squeegee through the adjusting handle (A) of the squeegee (see **Figure 9**).
 - 1) If the mid-section of the rear squeegee strip, section B, has a gap with the floor or the downward pressure is relatively light, adjust the handle in an anti-clockwise direction until the whole length of the rear squeegee strip touches well with the floor. The front squeegee strip should lightly touch the floor.
 - 2) If the two ends of the rear squeegee strip, sections C and D, have a gap with the floor or the downward pressure is relatively light, adjust the handle in a clockwise direction until the whole length of the rear squeegee strip touches well with the floor. The front squeegee strip should lightly touch the floor.

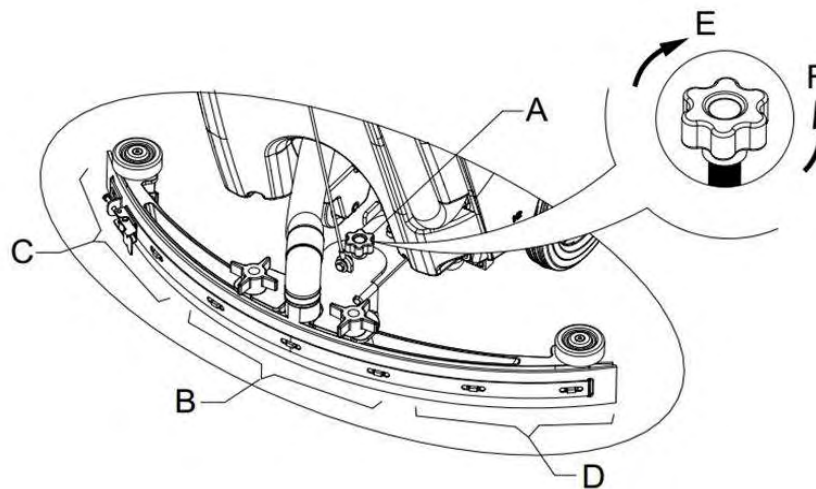


Figure 9

Solution tank filling



CAUTION!

Only low foam, nonflammable detergents may be used. These detergents must be suitable for the use of scrubbers.

11. Open the water inlet cover (27) and add water to solution tank. Do not overfill the tank. Filling up to near the edge of the filter holder of the water inlet will suffice. When preparing the cleaning solutions, please follow the dilution rates supplied by the chemical manufacture and the water temperature must not exceed 40⁰ C.

REGULATING THE VOLUME OF WATER FLOW



WARNING !

Regulating the ball valve handle (A, **Figure 10**) must be done under the condition when the power switch (41) is in the "O" position.

12. The volume of the water flow may be adjusted through the ball valve handle (A, **Figure 10**) according to the amount of water practically required for scrubbing the floor.

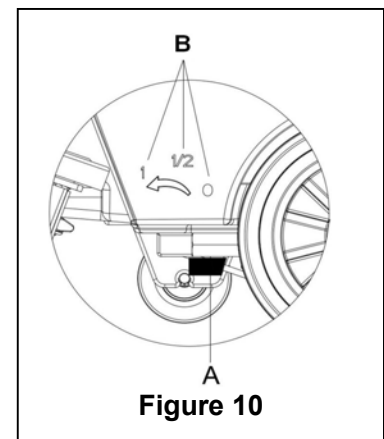


Figure 10

MACHINE START AND STOP

Starting the machine

1. Complete the preparatory steps as related above.
2. Press the power switch (41) to the "I" position.
3. Use the squeegee handle (41) to lower the squeegee.
4. Press the Vacuum pump switch (42) to the "I" position.
5. Press the water flow volume control switch (44) to the "I" position. (Work simultaneously with the safety switch (1) to control the work of solenoid valve.)
6. Hold the safety switch (1) and push to move the machine. The brush (29) starts to rotate, and the machine starts its cleaning job.



CONSULTATION: The way to push the machine One of the characteristics of the machine is the installation of two safety switches on both sides of handlebar. Each safety switch is capable of controlling independently the operation of the brush. In use, it facilitates the control of the operation of the machine.

By experience, the method to move the machine shown on right Figure 11 is more suitable, the users feel more comfortable on hands, it reduces work fatigue. So the users are recommended to move the machine in this way.



Figure 11

Turning off the machine

7. When you have finished using the machine, first unload the brush/pad-holder (refer to the steps related in the section on brush/pad-holder installation and unloading)
8. Release the safety switch (1) to turn off the brush/pad-holder and solenoid valve.
9. Press the Vacuum pump switch (42) to the "O" position, and the Vacuum pump will delay for 5 seconds before stopping work.
10. Press the water flow volume control switch (44) to the "O" position to completely turn off the work of solenoid valve.
11. Press the power switch (41) to the "O" position.
12. Use the squeegee lifting handle (14) to lift the squeegee.
13. Grasp the handlebar (2) and gently tilt the machine backward until the guide wheel (B) touches the floor. See Figure 12.

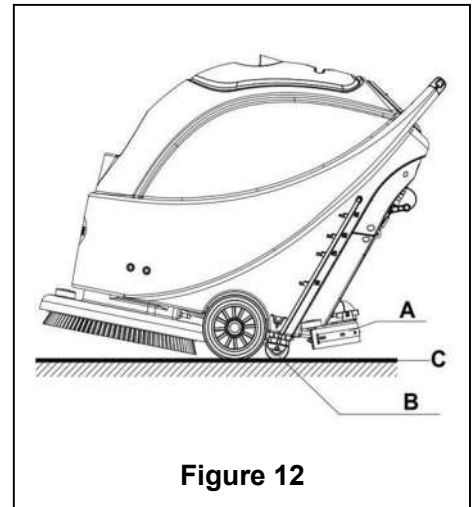


Figure 12

MACHINE OPERATION (SCRUBBING AND DRYING)

1. Start the machine according to the description above.
2. Hold the safety switch (1) (according to the way shown in Figure 11), push to move the machine, and start the cleaning job.
3. If necessary, turn off the machine, and adjust the regulating handle of the squeegee. (Refer to the steps for adjusting the balance of the squeegee)
4. If necessary, turn off the machine, and adjust the volume of water flow with the ball valve handle. (Refer to the steps of adjusting volume of water flow.)



CAUTION!

In order to avoid damaging the floor, when the machine stays in one place without moving, please turn off the power switch (41).

Battery discharge during operation

5. It is only when the green warning light (38) is continuously lit that the power supply of the battery is sufficient for the normal operation of the machine.

**NOTE**

When all the four green lights (38) turn on, it shows that the battery is fully charged. When only the last green light (38) is on, and begins to flash, suggest charging the battery, for the machine will stop automatically after a few minutes. After the last green light (38) turns off, and the red light (39 and 40) begins to flash, the machine will stop automatically after a few seconds. (Refer to the steps related in the maintenance section).

**CAUTION!**

Do not use the machine when the power supply of the battery is insufficient, so as to avoid damaging the battery and shortening the life of the battery.

TANK EMPTYING

When recovery tank is full, a float in the automatic float turn-off device (36) will block the inlet connecting to the vacuum pump. Through a sudden increase of noise from the vacuum pump, it can be considered that the vacuum pump is already overloaded and an immediate draining of the wastewater is needed.

**CAUTION!**

If the vacuum pump is suddenly turned off (e.g. because the machine is suddenly moved resulting in an activation of the float), and if a resumption of operation is needed, please perform the following steps: press the power switch (41 and 42) to turn off the power and the vacuum pump, and open the recovery tank cover (25) to check if the float in the float filter has returned to the water surface. Then close recovery tank cover (25), and press the power switch (41 and 42) to turn on the power and the vacuum pump.

When the recovery tank is fully filled with wastewater, follow the following steps to drain it all.

Recovery tank emptying

1. Turn off the machine.
2. By using the squeegee handle (14), lift the squeegee.
3. Move the machine to a dedicated dump site.
4. Grasp the handlebar (2) and gently incline the machine backward until the guide wheel touches the floor. (For docking of the machine please refer to the procedures in the stopping of the machine section.)
5. Take off the draining hose from the fixation clip, bend the top end of draining hose (as shown in **A**, **Figure 13**), and then open the cover of draining hose, lower draining hose to a low level or on the ground to drain the water. Alternatively, directly place draining hose to a low position or on the ground to make the water outlet face downward (as show in **B**, **Figure 13**), and then twist open the water draining lid to drain off the wastewater in the tank. After draining is completed, use pure water to cleanse the inside of recovery tank.

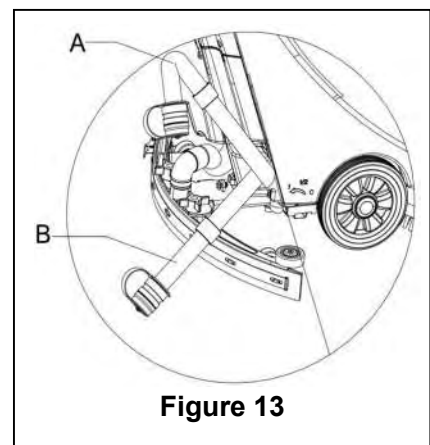


Figure 13

**CAUTION!**

When draining the wastewater, the vacuum tube for waste must be folded or lowered to a lower position (as shown in **Figure 13 A** or **B**), and then open the lid of the vacuum tube for waste to drain the water. Do not make the outlet of the vacuum tube for waste face upward to drain the water vertically. This is to avoid wastewater spilling onto the operator.

Solution tank emptying

6. Complete Steps 1 to 4.
7. As shown in **Figure 14**, turn open the lid of Solution tank (A) anticlockwise along direction C, and drain Solution tank completely. Use pure water to cleanse the inside of Solution tank. When work is completed, turn tight the lid of Solution tank (A) clockwise in direction B.

AFTER USING THE MACHINE

When work is done and before leaving the machine, completes the following steps:

1. Follow the procedure as described in aforementioned section about installing and unloading the brush/pad-holder, and take off the brush/pad-holder.
2. Following the procedures described in related sections, drain the water completely in Solution tank and recovery tank.
3. Complete the daily maintenance procedures (refer to the section on maintenance).
4. Store the machine, including the brush/pad-holder and squeegee, in a clean and dry place. The squeegee should be lifted or taken off.

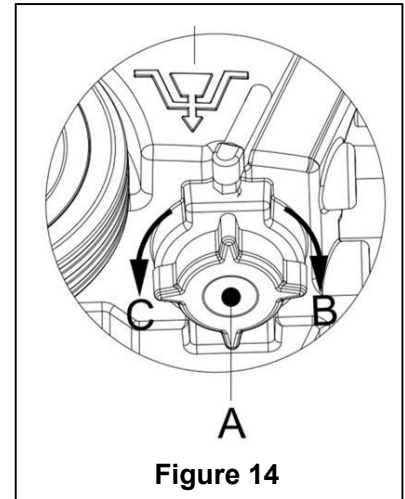


Figure 14

PERIODS OF INACTIVITY

If the machine is not to be used for more than 30 days, please treat it in the following way:

1. Complete the necessary procedure that should be followed after the machine is used.
2. Disconnect the connector (9) connecting the battery and the machine.
3. In order not to damage the battery, and if the machine is not to be used for more than 3 months, please charge the battery once every 3 months.

USING FOR THE FIRST TIME

After using for the first 9 hours, please check all parts to make sure nothing has become loose or damaged during operation, and check if there are any visible damages or leakage.

MAINTENANCE AND CARE

The service life and the maximum operation safety of the machine are assured by proper and timely maintenance and care.

The following table provides a general maintenance plan for the machine. The time intervals of maintenance are determined to a large extent by the working conditions of the machine. These time intervals should be formulated by the personnel responsible for the maintenance.



WARNING!

Only after the power of the machine is turned off and the connection between the machine and the battery is disconnected should these procedures be performed. Before proceeding with any of the maintenance procedures, please study carefully the related safety sections.

All maintenance in the plan or all additional maintenance must be done by qualified personnel or authorised service centers.

This manual only relates the simplest and the most common maintenance procedures.

For any maintenance procedures other than those stated in this table of planned maintenance, please refer to the maintenance manual of the service center.

SCHEDULED MAINTENANCE TABLE

Procedure	Daily, Machine after use	Weekly	Every 6 months	Annually
Charge battery				
Clean squeegee				
Clean brush/pad-holder				
Clean water tank and float filter, inspect the sealing strips of the water tank				
Inspect and change the squeegee strip				
Clean Solution filter				
Clean Vacuum pump filter				
Inspect liquid level of WET battery				
Inspect tightness of nuts and bolts			(1)	
Inspect or change motor carbon brush of brush/pad-holder				(2)
Inspect or change carbon brush of Vacuum pump				(2)

- (1) It should be done 9 hours after the machine starts working.
- (2) These maintenance procedures must be done by an authorized VIPER Service Center.

BATTERY CHARGING



NOTE

It is time to charge the battery when the amber or red warning light is lit up, or every time when work is done.



CAUTION!

Keep the battery in a fully charged condition in order to extend the service life of the battery.



CAUTION!

Once the power of the battery becomes insufficient, the battery must be charged as soon as possible. Please check the charger at least once a week.



CAUTION!

If an on-board charger is not equipped, please select a suitable external charger to charge the battery.



WARNING!

Particular care must be taken when charging the battery because there may be leakage of acid during the charging process. Battery acid is corrosive. If skin or the eye accidentally comes into contact, please flush with plenty of water and see a doctor.

1. Open the lid of recovery tank (25) and observe if recovery tank is empty or not. If it is not empty, empty it through draining hose. (15).
2. Move the machine to a specified charging area.
3. Press the power switch (41) to the "O" position to turn off the machine.
4. Only applicable to WET water-addition battery
 - Check the level of electrolyte inside the battery. If necessary, fill it up through the lid.
 - Keep all lids open.
 - If necessary, clean the top surface of the battery.
5. Select one of the following procedures to charge the battery according to the model of battery being used.

To charge a battery with an external charger

6. Check, according to the related manual, if the external charger is appropriate. The output voltage must be DC 24V.
7. Connect the battery connector to the external connector, and connect the external connector to the mains.

- When charging is complete, connect the charging connector of the battery to the machine.

To charge a battery with an on-board charger (optional)

- Take off the rubber lid at the end of the battery charging connector.
- Connect the end of the battery charging connector with the mains with a charge connecting wire. (Please note whether the input voltage of on-board charger is 220V – 240V and the output voltage 24V and frequency meet the requirements.) When the charger is connected to the mains, all other functions will be cut off automatically. If the red warning light on the on-board charger continues to light, it shows that the charger is charging the battery.
- When the green warning light (47) is on, it shows that the battery charging process is complete.
- When charging is complete, take off the connecting wire from the end of the battery charging connector and the power supply, and put on the rubber lid.
- Disconnect the charger wire from the power supply, and wind the wire on the reel (6).



NOTE

If more information on on-board charger (35) is needed, please refer to related manual.

SQUEEGEE CLEANING



NOTE

In order to maintain the optimal effect of water Vacuum, the squeegee must be kept clean, and the squeegee strip must remain in a good condition.



CAUTION !

When cleaning the squeegee, it is recommended to put on protective gloves because the squeegee may contain sharp fragments.

- Move the machine to a flat and smooth surface.
- Press the power switch (41) to the “O” position to turn off the machine.
- Unscrew the fixed handle (16) of the squeegee; take off the connector connecting the Recovery Vacuum tube of the squeegee, and take off the squeegee.
- Use the squeegee lifting handle (14) to lift the squeegee support frame.
- Clean the squeegee (**Figure 15**). Clean in particular the groove (**A, Figure 15**) and the dirt and fragments on the Vacuum tube. Check if the front squeegee blade (C) and the rear squeegee blade (D) are intact, and if there are broken edges and cracks. Change them if necessary (refer to the steps in the following section).
- Re-install the squeegee in the reverse order of the above.

SQUEEGEE BLADE CHECK AND REPLACEMENT

- Following the methods related in the previous section clean the squeegee (**Figure 15**)
- Check the edge (**E, Figure 15**) of the front squeegee blade and the edge (F) of the rear squeegee blade (D). On the whole length, they should be on the same level. Otherwise, adjust their heights through the following procedure.
 - Loosen the clip (G) to let the rear squeegee blade (D) separate from the bracket (M) for the adjustment of the position of the squeegee. After the adjustment, lock the clip once again.
 - Loosen the screw on the handle (I) to adjust the front squeegee blade (C); tighten the handle screw after adjustment.
- Check if the front squeegee blade (C) and the rear squeegee blade (D) is intact and if there are broken edges and cracks. If necessary, change them according to the following ways. Check the front edge of the rear squeegee blade (J) whether it has been worn. If worn, it can be installed upside down (the top edge is required to be intact). If the top edge is also worn, change it by following the procedure below:
 - Loosen the clip (G) to let the pressure blade separate from the bracket (M), take off the clip bar (K), and then change or turn the rear squeegee blade (D) upside down. Re-install the rear squeegee blade in the reverse order of taking it off.
 - Loosen the handle screw (I) and take off the front clip bar (L), and then change the front squeegee (C).
Re-install the front squeegee blade in the reverse order of taking it off.
After changing the squeegee blade (or installing upside down), adjust the level of the front and rear squeegee blades in the procedures as described above.

4. Connect the Vacuum tube (11) to the squeegee.
5. Install the squeegee and use the knob (16) to tighten it, and then connect the Vacuum tube to the squeegee.
6. If necessary, adjust the squeegee through the adjusting handwheel (20) (refer to the procedures for adjusting the balance of the squeegee).

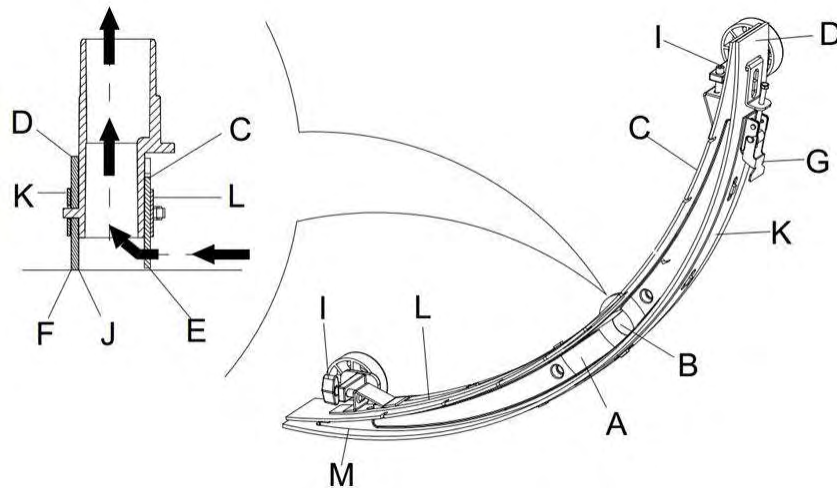


Figure 15

BRUSH/POLISHING PAD CLEANING



CAUTION!

When cleaning the brush/pad-holder, the wearing of protective gloves is recommended because they may contain sharp fragments.

1. In the way as related in previous sections, take off the brush/pad-holder.
2. With the use of water and detergents, clean the brush/pad-holder.
3. Check the completeness and wearing condition of the bristles on the brush and, if necessary, change the brush.
4. Check the wearing condition of the pad-holder and, if necessary, change the pad-holder.

WATER TANK AND FLOAT FILTER MESH CLEANING

1. Move the machine to a dedicated dumping site.
2. Press the power switch (41) to the position "O" to turn off the machine.
3. Open recovery tank lid (A, Figure 16), and take off the float device (36) from recovery tank.
4. Use pure water to clean recovery tank lid (A), the tank (B and C), and the float filter support frame (E). Through the Recovery tube (15), drain all the water from the water tank.
5. If necessary, following the symbols "Open" and "Close" as shown in Figure 16, open the bottom lid (F) of the float filter and clean the float (D), float filter support frame (E), and the filter sponge (I). After cleaning, fix the float onto the float filter support frame (E), and then align the mark groove (L) of the bottom lid (F) of the float filter with the mark groove (L) of the float filter support frame (E). Turn the bottom lid (F) of the float filter tight, and fix the filter sponge (I) onto the float filter support frame (E), and then onto the Vacuum tube (M).
6. Check the soundness of the sealing ring (G) of the water tank lid.



NOTE

The sealing strip (G) of the water tank makes the water tank create a vacuum. It must be completely sealed to be able to effectively suck the wastewater from the floor.

If necessary, the sealing strip of the water tank (G) may be taken out from the groove (H) and changed. When assembling a new water tank sealing strip, as shown in Figure 16 below, install the connector to the middle section of the rear part.

7. Check if the receiving surface of the sealing strip (G) is intact and seals adequately.
8. Close recovery tank lid (A).

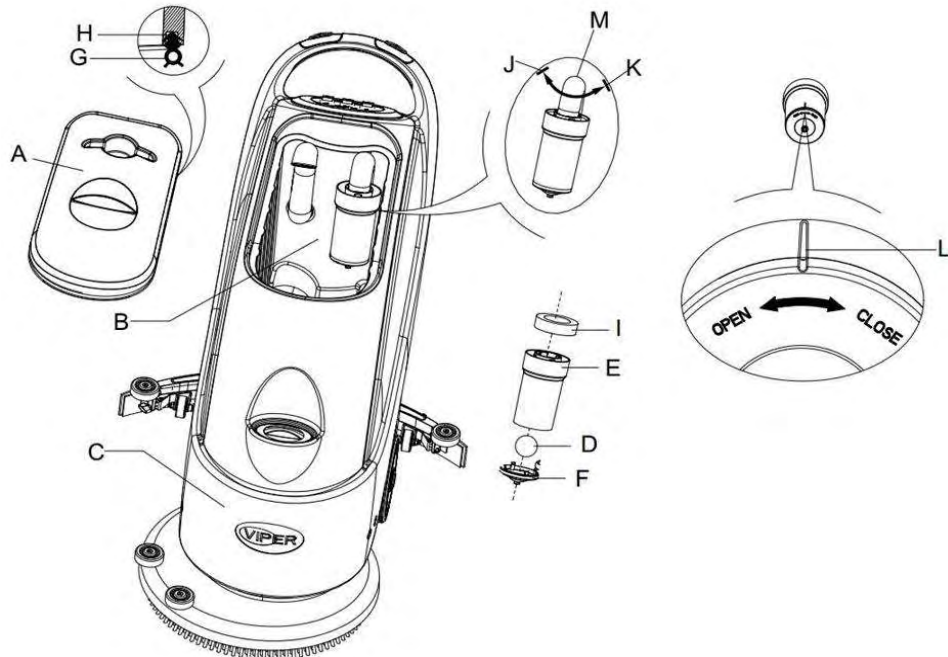


Figure 16

SOLUTION FILTER CLEANING

1. Drain all the water from Solution tank in the way as introduced in related sections.
2. Move the machine to a flat and smooth ground.
3. Press the power switch (41) to the “O” position to turn off the machine.
4. Turn off the draining ball valve (A, Figure 17) (located at the bottom of the machine, behind the wheels). Position B ball valve open, and position C ball valve closed.
5. Take off the transparent lid (D), and then take off the filter (E), and install them onto the filter box (F) after cleaning.



NOTE

The filter (E) must be accurately installed onto the position of the projection (G).

6. Open the draining ball valve (A).

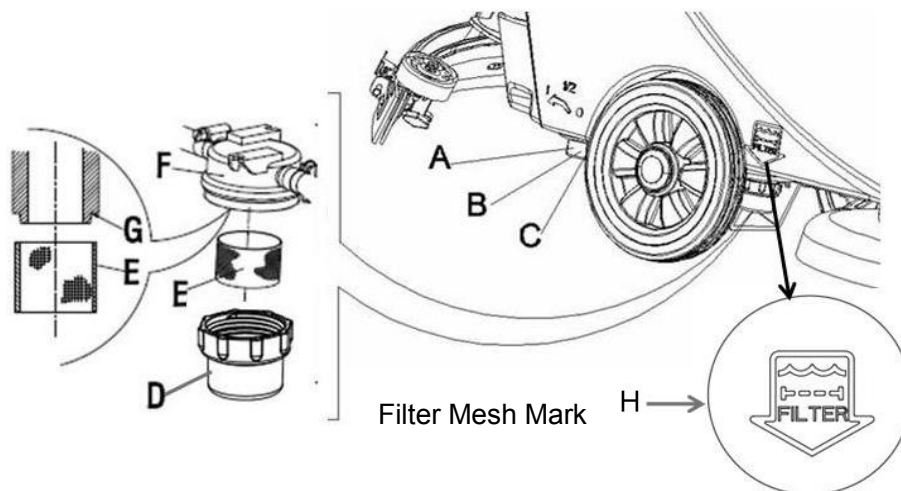
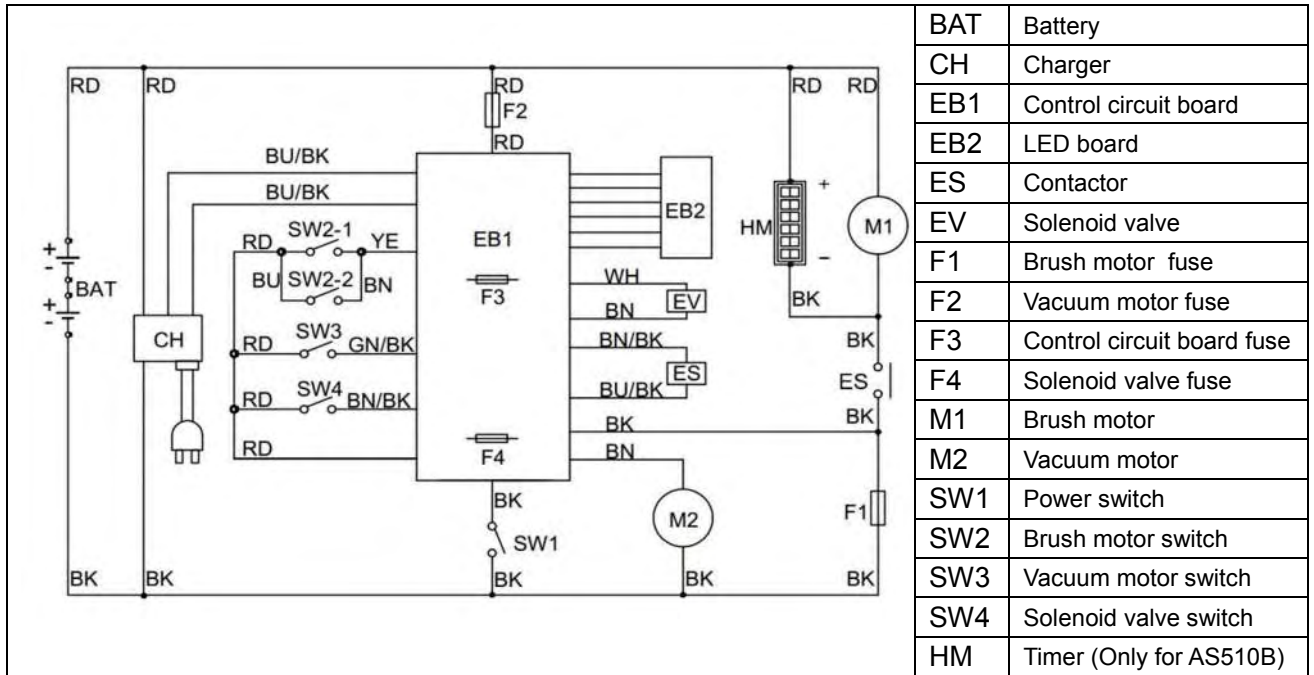


Figure 17

CIRCUIT FIGURE OF AS430B AND AS510B



COLORS CODES		
RD: Red	BN: Brown	BU/BK : Blue /Black
BU: Blue	YE: Yellow	GN/BK: Green/Black
BK: Black	WH: White	BN/BK: Brown/Black

TROUBLESHOOTING

Breakdown	Probable Causes	Remedies
Machine not working: Indication light not on	Battery connector (9) not connected.	Connect the battery connector
	Battery power already exhausted	Charge the battery
Warning light (39 and 40) flashing	Brush motor overloaded	Change to a soft brush to adapt to the floor being cleaned
	Other matters jam the rotating of the brush	Clear up the brush
Brush not working	Brush fuse trip off	Reset
	Belt slipping	Check belt, adjust tension pulley
Vacuum motor not working	Vacuum fuse trip off	Reset
Inadequate Vacuum	Wastewater tank is full.	Drain the water tank
	Vacuum tube for waste and squeegee not properly connected	Connect the Vacuum tube for waste and the squeegee
	Float filter blocked or inlet blocked	Clean the float filter, check the float ball
	Squeegee dirty or squeegee blade worn and damaged	Clean and check the squeegee
	Recovery tank lid not properly turned on, or the sealing strip of the water tank damaged	Refit on the lid properly, or change the water tank sealing strip
Pure water supply to the brush inadequate	Filter dirty.	Clean the filter
Squeegee leaving marks	Debris like fragments under the squeegee blade	Remove the fragments
	Squeegee blade already worn, cracked, brittle.	Change the squeegee blade
	Balance of squeegee not adjusted	Adjust the balance



NOTE

If the machine is installed with the optional on-board charger, and when the on-board charger is defective, the machine cannot be operated.

If the on-board charger is defective, please contact the authorised maintenance center.

To find out more information, please refer to the maintenance manual (available at any maintenance center of VIPER)

MACHINE DISPOSAL

Use qualified crushing machine to destroy this machine.

Before destroying this machine, please take away and segregate the following materials which, according to related laws and regulations, must be properly processed.

- Battery
- Brush/pad-holder
- Plastic hoses and plastic components
- Electrical and electronic components (*)

(*): Please contact the nearest VIPER Center (especially when scrapping of electrical and electronic components is required).

INHALTSVERZEICHNIS

EINLEITUNG	20
INHALT	20
ZWECK	20
ERSATZTEILE UND WARTUNG	20
ÄNDERUNGEN UND VERBESSERUNGEN	20
ANWENDUNGSBEREICH.....	20
AUSPACKEN/TRANSPORT	20
ALLGEMEINE SICHERHEITSHINWEISE.....	21
TECHNISCHE DATEN.....	22
GERÄTEBESCHREIBUNG	22
AUFBAU DES GERÄTS	22
ÜBERBLICK ÜBER DAS BEDIENFELD	23
ANZEIGEFENSTER DER BATTERIELADUNGSANZEIGE.....	24
BEDIENUNGSANLEITUNG	24
BATTERIEINSTALLATION UND -EINSTELLUNG DES NEUEN GERÄTS.....	24
BATTERIEINSTALLATION UND EINSTELLUNG DES BATTERIETYP (WET ODER GEL/AGM).....	25
VOR INBETRIEBNAHME DES GERÄTS.....	26
MONTIEREN UND ENTFERNEN DER BÜRSTEN/PAD-HALTERUNG.....	26
EINSTELLEN DER ABSTREIFERPOSITION	27
REGULIERUNG DES WASSERDURCHFLUSSES.....	28
START UND STOPP DES GERÄTS	28
EINSATZ DES GERÄTS (SCHEUERN UND TROCKNEN).....	29
TANK ENTLLEEREN	29
NACH DEM EINSATZ DES GERÄTS.....	30
STILLSTANDSZEITEN	31
VOR DER ERSTEN VERWENDUNG	31
WARTUNG UND PFLEGE	31
TABELLE DER PLANMÄSSIGEN WARTUNGSARBEITEN	31
AUFLADEN DER BATTERIE.....	32
REINIGEN DES ABSTREIFERS	33
ÜBERPRÜFEN UND AUSTAUSCHEN DES ABSTREIFERBANDS.....	33
REINIGEN VON BÜRSTE/POLIERPAD.....	34
REINIGEN DES SCHMUTZWASSERTANKS UND DES SCHWIMMFILTERSIEBS	34
REINIGEN DES FRISCHWASSERTANKS	35
SCHALTKREISDIAGRAMM VON AS430B UND AS510B	36
FEHLERBEHEBUNG	37
GERÄTEENTSORGUNG	37

EINLEITUNG



HINWEIS

Die Zahlen in Klammern beziehen sich auf die im Abschnitt "Beschreibung des Geräts" dargestellten Komponenten.

INHALT DER BEDIENUNGSANLEITUNG

Dieses Handbuch dient dazu, den Anwender mit den notwendigen Informationen auszurüsten, um dieses Gerät richtig und sicher nutzen zu können. Die Informationen beinhalten die technischen Daten, Sicherheit, Betrieb, Lagerung, Wartung und Entsorgung des Geräts. Der Anwender und Techniker mit entsprechenden Qualifikationen muss diese Anleitung sorgfältig vor Beginn der Anwendung und Wartung dieses Geräts durchlesen. Setzen Sie sich bitte mit VIPER in Verbindung, wenn Sie Anfragen hinsichtlich der Erklärungen in diesem Handbuch haben oder wenn weitere Informationen benötigt werden.

ZWECK

Die Absicht dieser Bedienungsanleitung ist es, dem Anwender und qualifizierten Technikern zu ermöglichen, die Wartung dieses Geräts durchzuführen.

Der Anwender sollte diese Tätigkeiten nicht durchführen, sie sollten nur von Technikern durchgeführt werden. VIPER ist nicht verantwortlich für Schäden, die durch die Verletzung dieser Regel verursacht werden.

ERSATZTEILE UND WARTUNG

Alle notwendigen Betriebs-, Wartungs- und Reparaturarbeiten müssen von qualifiziertem Personal oder durch die Service-Center von VIPER durchgeführt werden.

Es sollten nur autorisierte Ersatzteile und Zubehörteile verwendet werden.

Wenn der Service und die Bestellung von Ersatzteilen oder Zubehörteilen benötigt wird, wenden Sie sich bitte mit der Modell-Nummer des Gerätes und den Seriennummern an VIPER.

ÄNDERUNGEN UND VERBESSERUNGEN

VIPER führt kontinuierliche Verbesserungen seiner Produkte durch. VIPER behält sich das Recht der Veränderung und Verbesserung der Geräte vor und auch das Recht zu entscheiden, ob die Vorteile die durch die Veränderungen mit sich gebracht werden, auch auf die Produkte anwendbar sind, die bereits verkauft wurden. Allen Änderungen oder zusätzlichen Zubehörteilen muss von VIPER zugestimmt werden, und sie müssen vom Unternehmen durchgeführt werden.

ANWENDUNGSBEREICH

Dieser Nassreiniger wird in einem häuslichen und industriellen Umfeld eingesetzt und eignet sich für die Reinigung von glatten und harten Böden (Scheuern und Abwasserentsorgung). Er darf nur von qualifizierten Anwendern in einer sicheren Umgebung verwendet werden. Dieser Nassreiniger kann nicht für die Reinigung im Freien, auf Teppichen und auf relativ rauen Böden verwendet werden.

AUSPACKEN/TRANSPORT

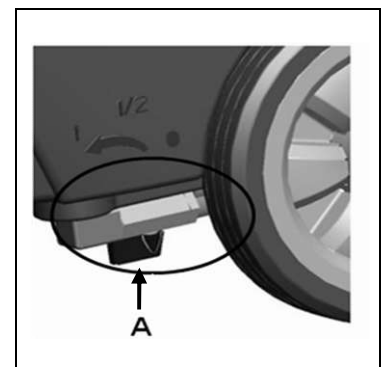
Beachten Sie beim Auspacken unbedingt die Hinweise auf der Verpackung.

Überprüfen Sie bitte bei der Lieferung die Verpackung und das Gerät, um sicherzustellen, dass während des Transports keine Schäden aufgetreten sind. Wenn irgendein sichtbarer Schaden aufgetreten ist, halten Sie bitte die ursprüngliche Form bei, und bitten Sie den Spediteur, den Schaden zu bestätigen und eine Liste der Schäden für die Entschädigung auszufüllen.



— ACHTUNG

Achten Sie beim Auspacken und Entladen oder während der Bewegung des Geräts über Böden mit Stufen darauf, den Ein/Aus-Schalter zur Regelung des Wasserdurchlasses nicht anzuschlagen, Teil A in der Abbildung auf der rechten Seite.



Prüfen Sie, ob das Gerät mit den folgenden Elementen ausgestattet ist:

1. Technische Unterlagen
 - Bedienungsanleitung
 - Bedienungsanleitung des geräteeigenen Ladegeräts (falls vorhanden)
2. Stecker für Ladegerät (wenn das Gerät nicht mit einem geräteeigenen Ladegerät ausgestattet ist, steckt er auf dem angegebenen externen Ladegerät).

ALLGEMEINE SICHERHEITSHINWEISE

Es folgen Warnhinweise und Hinweise auf mögliche Schäden (Personal und Gerät):



WARNUNG!

- Das Gerät darf nur unter der Anleitung dieser Bedienungsanleitung bedient werden. Nur Zubehör, das von VIPER genehmigt wurde, sollte verwendet werden.
- Dieses Gerät darf nur von ordnungsgemäß ausgebildetem oder autorisiertem Fachpersonal verwendet werden.
- Bei normalem Gebrauch kann die Batterie brennbares Gas abgeben. Die Batterie muss von strahlenden, leuchtenden und brennenden Gegenständen sowie Funken ferngehalten werden. Wenn das Gerät benutzt wird, stellen Sie bitte sicher, dass die Umgebung gut belüftet ist und dass keine offenen Flammen vorhanden sind. Beim Laden bitte nicht in der Nähe des Geräts rauchen.
- Bitte trennen Sie die Batterie vor der Durchführung aller Wartungs-/Reparaturarbeiten.
- Vor der Verwendung des geräteigenen Ladegeräts stellen Sie bitte sicher, dass die Werte von Spannung und Frequenz, die auf dem Aufkleber mit der Seriennummer angegeben sind, denen der Netzspannung entsprechen.
- Tragen Sie bei Arbeiten in der Nähe elektrischer Teile bitte keinen Schmuck. Ergreifen Sie alle Vorsichtsmaßnahmen, um zu vermeiden, dass Haare, Schmuck und locker sitzende Kleidung sich in den bewegenden Teilen des Geräts verfangen.
- Bitte verwenden Sie dieses Gerät nicht in besonders schmutzigen Umgebungen. Reinigen Sie das Gerät nicht direkt mit Wasser. Vermeiden Sie, dass das Gerät mit ätzenden Flüssigkeiten in Kontakt kommt.
- Der Temperaturbereich für die Lagerung und für die Arbeitsumgebung des Geräts liegt zwischen 0 bis 40 °C.
- Die Luftfeuchtigkeit muss zwischen 30 % und 105 % liegen.
- Benutzen Sie das Gerät nicht auf Flächen mit einer Neigung von mehr als 2 %.
- Verwenden Sie bitte im Falle eines Brands Trockenpulver-Feuerlöscher. Verwenden Sie keine Flüssig-Feuerlöscher.
- Besondere Aufmerksamkeit sollte auf den Transport des Geräts bei Temperaturen unter 0 °C gelegt werden. Der Wassertank und das Wasser in den Schläuchen können einfrieren und zu schweren Schäden am Gerät führen.
- Verwenden Sie die Bürsten und Pads, die mit dem Gerät geliefert wurden und die, die in der Bedienungsanleitung angegeben sind. Die Verwendung anderer Bürsten oder Pads könnte die Sicherheit beeinträchtigen.
- Im Falle von Fehlfunktionen des Geräts stellen Sie sicher, dass sie nicht durch mangelnde Wartung verursacht wurden. Wenn sie durch andere Umstände verursacht wurden, wenden Sie sich bitte an autorisierte Personen oder das Service-Center.
- Wenn feststeht, dass die Ersatzteile ausgetauscht werden müssen, stellen Sie sicher, dass die Originalteile von autorisierten Händlern oder Vertretern kommen.
- Um den sicheren und ordnungsgemäßen Betrieb des Geräts zu gewährleisten, stellen Sie sicher, dass autorisiertes Personal oder das Service-Center die Wartungsarbeiten, gemäß den Wartungsintervallen in den entsprechenden Abschnitten des Handbuchs, durchführt.
- Dieses Gerät muss ordnungsgemäß entsorgt werden, da es giftige und gefährliche Materialien (Batterien usw.) enthalten kann, und diese Stoffe müssen durch spezielle Zentren, in Übereinstimmung mit einschlägigen Gesetzen und Verordnungen entsorgt werden (siehe Abschnitt Entsorgung des Geräts).

TECHNISCHE DATEN

Modell	AS430B	AS510B
Gerätehöhe	980 mm	
Kapazität des Frischwassertanks	40 Liter	
Kapazität des Schmutzwassertanks	40 Liter	
Durchmesser des Transportrads	200 mm	
Durchmesser des Führungsrad	76 mm	
Leistung des Vakuumsystem-Motors	350 W	
Maximale Steigung während des Betriebs	2 % (Max.)	
Schalldruckpegel am Arbeitsplatz	70 dB (A) ± 3 dB (A)	
Standard-Batterien	(2 x 12 V) 24 V 85 Ah AGM	(2 x 12 V) 24 V 105 Ah AGM
Batteriefachgröße (B x L x H)	340 x 330 x 260 mm (Max.)	
Vakuumsystem Schaltkreis Kapazität	1200 mm H ₂ O	
Reinigungsbreite	430 mm	510 mm
Breite des Abstreifers	730 mm	790 mm
Maximale Gerätelänge	1060 mm	1100 mm
Gerätebreite ohne Abstreifer	480 mm	540 mm
Bürstendurchmesser	430 mm	510 mm
Gewicht mit Batterien und mit leeren Tanks	112 kg	128 kg
Bruttogewicht der betriebsbereiten Maschine	152 kg	168 kg
Leistung des Bürstenmotors	550 W	560 W
Bürstengeschwindigkeit	150 U/m	
Maximaler Druck des Bürsten/Pad-Halters	30 kg (Max.)	35 kg (Max.)
Packungsgröße (L x B x H)	1200 x 610 x 1170 mm	

GERÄTEBESCHREIBUNG

AUFBAU DES GERÄTS

- | | |
|--|---|
| 1. Sicherheitsschutzschalter | 20. Einstellrad des Abstreifers |
| 2. Lenker | 21. Hinterer Tragrahmen des Abstreifers |
| 3. Bedienfeld | 22. Vorderer Tragrahmen des Abstreifers |
| 4. Seriennummernschild/Technische Daten /Konformitäts-Zertifizierung | 23. Becherhalter |
| 5. Gerätedeckel | 24. Deckelgriff des Schmutzwassertanks |
| 6. Kabelhalter (*) | 25. Schmutzwassertank-Abdeckung |
| 7. Batterieladeanzeige | 26. Tankgehäuse |
| 8. Reset-Schalter | 27. Wasserzulauf-Abdeckung |
| 9. Batterieanschluss | 28. Bürstenhalter |
| 10. Batterieabdeckung | 29. Bürsten/Pad-Halter |
| 11. Saugrohr | 30. Vakuumsystem-Motor |
| 12. Zugschnur für Saugleiste | 31. Bürstenmotor |
| 13. Schutzabdeckung des Batterieanschlusses | 32. 8-Zoll-Rad |
| 14. Hebegriff des Abstreifers | 33. Batterie |
| 15. Ablaufschlauch | 34. Vakuumrohr |
| 16. Feststellknopf des Abstreifers | 35. Ladegerät (*) |
| 17. Saugleiste | 36. Schwimmerfilter |
| 18. Sauglippe | 37. Wasserstandsanzeigerohr (dient der Wasserstandsanzeige im Frischwassertank) |
| 19. Tragrahmen des Abstreifers | |

(*) Gilt nur für Geräte, die bereits mit eingebautem Ladegerät (optional) ausgestattet sind

ABBILDUNG DES GERÄTAUFBAUS

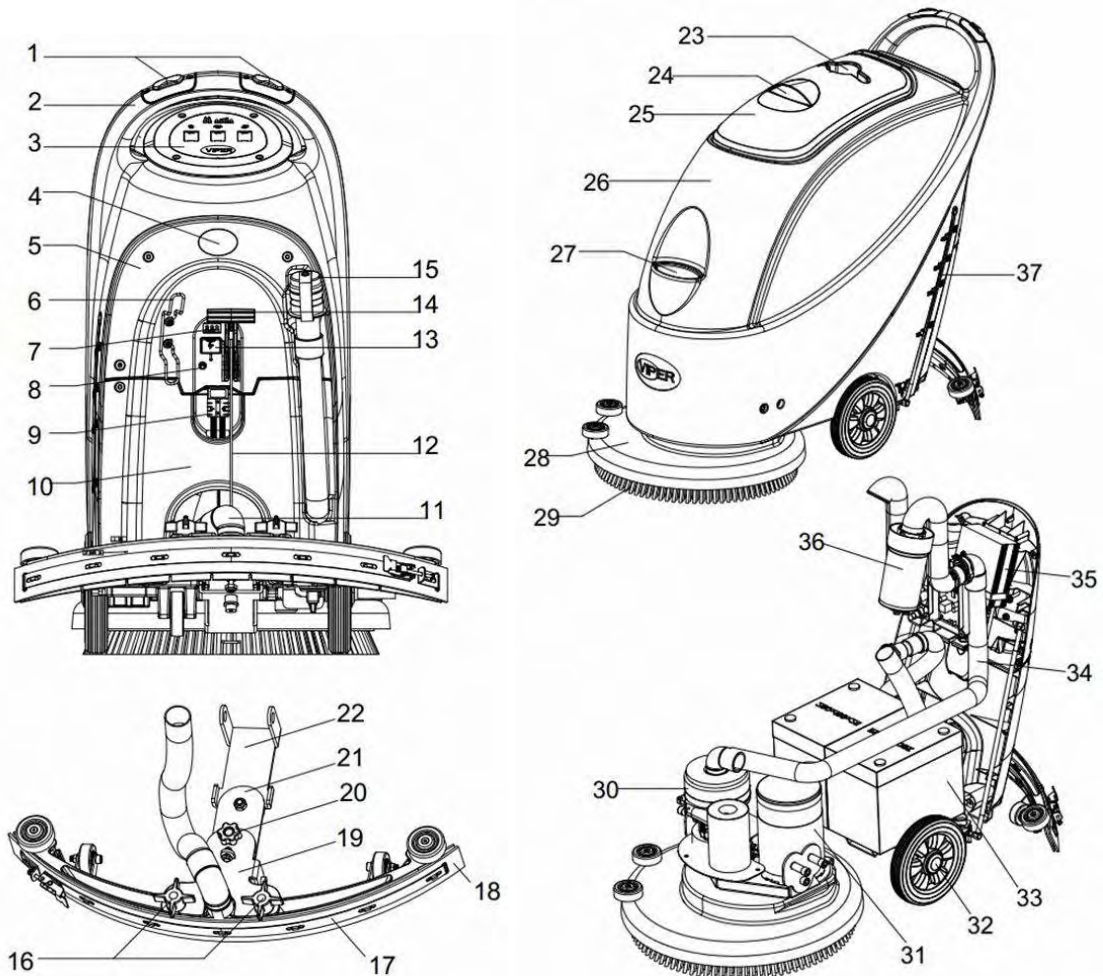


Abbildung 1

ÜBERBLICK ÜBER DAS BEDIENFELD (Abbildung 2)

- 38. Batterieladeanzeige (grün, wenn aufgeladen)
- 39. Ladeanzeige, bei erschöpfter Batterie (rot)
- 40. Ladeanzeige, bei erschöpfter Batterie (rot)
- 41. Netzschalter
- 42. Schalter, Absaugung
- 43. Stundenzähle(optional, wird verwendet, um die Arbeitszeit der Bürste zu erfassen)
- 44. Magnetventil-Schalter zur Wassermengensteuerung

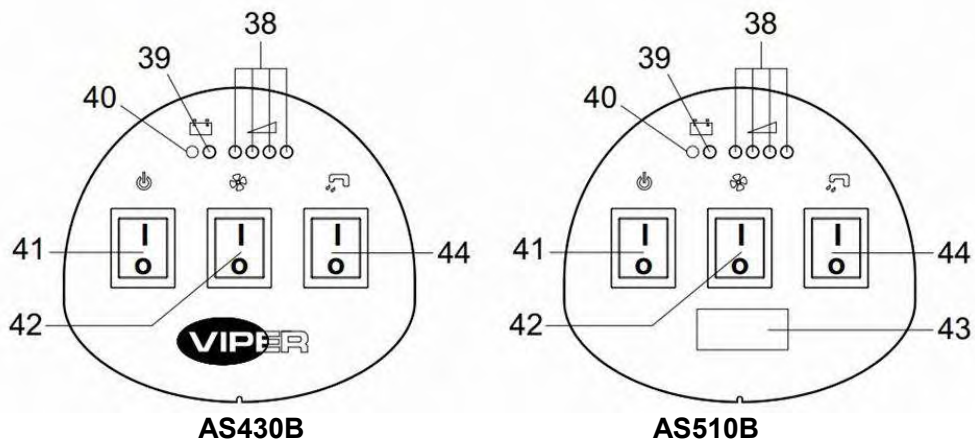


Abbildung 2

ANZEIGEFENSTER DER BATTERIELADUNGSANZEIGE (Abbildung 3)

(Optional, für Modelle mit eingebautem Ladegerät)

1. Wenn der Ladevorgang beginnt, blinkt die rote Kontrollleuchte des Ladegeräts (45) ein paar Mal und wechselt dann zu einem kontinuierlichen, roten Leuchten; die erste Phase der Aufladung beginnt;
2. Nach einem gewissen Aufladezeitraum erlischt die rote Kontrollleuchte des Ladegeräts (45). Eine gelbe Kontrollleuchte (46) leuchtet dauerhaft: die zweite Phase der Aufladung beginnt;
3. Nach einer Aufladedauer von ca. 10 Stunden erlischt die gelbe Kontrollleuchte (46). Die grüne Anzeige (47) leuchtet dauerhaft, das bedeutet, dass die Batterie voll aufgeladen ist und der Ladevorgang beendet ist.

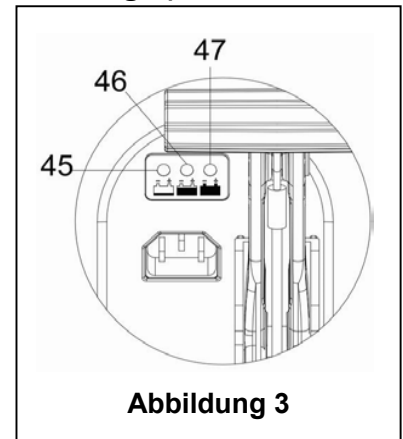


Abbildung 3



HINWEIS

- 1) Wenn während des Ladevorgangs, die gelbe Anzeige blinkt: ist der Batterietyp nicht mit dem Ladegerät kompatibel oder die Batterie ist nicht richtig angeschlossen oder am Ausgangsanschluss ist ein Kurzschluss aufgetreten.
- 2) Wenn die rote Kontrollleuchte blinkt: ist ein Kurzschluss im Ladegerät aufgetreten. (Weitere Details entnehmen Sie bitte den entsprechenden Abschnitten der Anleitung für das Ladegerät.)

BEDIENUNGSANLEITUNG



WARNUNG

Auf bestimmten Teilen des Geräts befinden sind einige Hinweiszeichen:

- GEFAHR
- WARNUNG
- ACHTUNG
- VERWENDUNG

Wenn der Anwender diese Gebrauchsanweisung liest, muss er den Symbolen auf diesen Schildern besondere Aufmerksamkeit schenken.

Unter keinen Umständen dürfen diese Zeichen abgedeckt werden. Wenn sie beschädigt sind, ersetzen Sie sie bitte sofort.

BATTERIEINSTALLATION UND -EINSTELLUNG DES NEUEN GERÄTS



WARNUNG

Wenn die Batterie unsachgemäß installiert oder fehlerhaft angeschlossen wird, können die elektrischen Komponenten des Geräts schwer beschädigt werden. Die Batterie darf nur von qualifiziertem Fachpersonal installiert werden. Stellen Sie gemäß der Batterie-Modellnummer (NASS oder GEL) die funktionale Platine und das eingebaute Ladegerät (optional) ein.

Überprüfen Sie vor der Installation, ob die Batterie beschädigt ist. Trennen Sie den Batteriestecker und den Stecker des eingebauten Ladegeräts.

Seien Sie vorsichtig, wenn Sie die Batterie berühren.

Dieses Gerät benötigt zwei (2) 12-V-Batterien. Verbinden Sie sie, wie es in **Abbildung 4** auf der rechten Seite dargestellt ist.

Dieses Gerät kann von einem der folgenden Modelle versorgt werden:

- a) **Batterien (NASS oder GEL / AGM) sind bereits installiert und können jederzeit genutzt werden.**

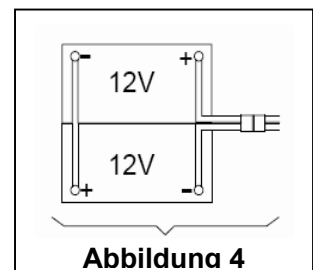


Abbildung 4

1. Überprüfen Sie die Batterie. Schließen Sie mit dem Stecker (9) die Batterie an das Gerät an.
 2. (Gilt nur für AS430B und AS510B): Drücken Sie den Ein/Aus-Schalter (41) nach unten. Wenn die grüne Leuchte leuchtet, ist die Batterie einsatzbereit.
Wenn die gelbe oder rote Leuchte leuchtet, zeigt dies an, dass die Batterie aufgeladen werden muss. (Siehe Abschnitt über Wartung zugehöriger Verfahren).
- b) Ohne Batterien**
1. Kaufen Sie eine ähnliche Batterie (siehe Abschnitt über technische Parameter). Informationen über die Auswahl der Batterie erhalten Sie von qualifizierten Vertretern für Batterien.
 2. Stellen Sie das Gerät und das eingebaute Ladegerät (falls vorhanden) nach der Art der Batterien ein (NASS oder GEL/AGM). Lesen Sie auch den folgenden Abschnitt über die Installation der Batterie.

BATTERIEINSTALLATION UND EINSTELLUNG DES BATTERIETYP (NASS ODER GEL/AGM)

Stellen Sie gemäß dem Batterietyp (NASS oder GEL/AGM) die elektrische Leiterplatte auf dem eingebauten Ladegerät ein. Die Verfahrensschritte sind wie folgt:

1. Achten Sie darauf, dass der Batteriestecker getrennt ist. Wenn das Gerät auf "AGM"-Batterie zum Zeitpunkt der Werksauslieferung eingestellt ist, gehen Sie direkt zu Schritt 8, andernfalls führen Sie die Schritte 2, 3 und 4 durch.
2. Entfernen Sie den Ablaufschlauch (15)
3. Wenn das Gerät mit einem eingebauten Ladegerät ausgestattet ist, entfernen Sie das Ladekabel von der Rolle.
4. Nehmen Sie den Gerätedeckel ab (5) und lösen Sie die Schrauben der Batterieabdeckung (10). Entfernen Sie die Schrauben der PCB-Platine. Der DIP-Schalter (B) für die Einstellung des Batterie-Modells ist zu sehen, wenn ?Umklappen der Platine werden. (Siehe **Abbildung 5**)
5. Stellen Sie den Mikro-DIP-Schalter (B) auf die Position "NASS".
6. Führen Sie die Schritte 3, 4 und 5 in umgekehrter Reihenfolge durch.

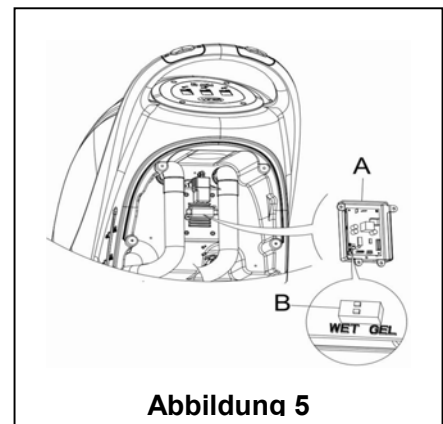


Abbildung 5

Einsetzen der Batterien

7. Trennen Sie den Batteriestecker (9).
8. Öffnen Sie die Schmutzwassertank-Abdeckung (25) und überprüfen Sie, ob der Schmutzwassertank leer ist oder nicht, wenn nicht, entleeren Sie ihn durch den Ablaufschlauch (15).
9. Lösen Sie die Feststellknöpfe des Abstreifers (16), entfernen Sie den Anschluss, der das Vakuumrohr für Abfälle (11) mit dem Abstreifer verbindet, und entfernen Sie dann den Abstreifer.
10. Lösen Sie die Schrauben der Batterieabdeckung (10), und entfernen Sie die Abdeckung.
11. Lösen Sie den Anschluss der Abstreifer-Zugschnur (12), die mit der Abstreiferhalterung (19) verbunden ist, und hängen Sie die Abstreifer-Zugschnur nach oben.
12. Hängen Sie den Ablaufschlauch (15) und das Vakuumrohr für Abfälle (11) nach oben.
13. Drücken Sie, je nach Größe der Batterie, die Fixierungsplatte im Batteriefach ganz nach innen.



HINWEIS

Die Abmessung der Batterie darf diese Größe nicht überschreiten: H x B x T 330 mm x 170 mm x 260 mm.

Entsprechend der unterschiedlichen Abmessungen der Batterien, sind die Anforderungen für die Auswahl der fest eingebauten Batterien wie folgt:

- 1) Für Batterien mit einer Länge unter 270 mm verwenden Sie 2 Teile der Fixierungsplatte (**B, Abbildung 6**) und platzieren Sie sie nebeneinander im Inneren der Wassertank-Batterie;
- 2) Für Batterien mit einer Länge zwischen 310 mm und 270 mm verwenden Sie 1 Teil der Fixierungsplatte (**B, Abbildung 6**) und platzieren Sie sie in der Wassertank-Batterie;
- 3) Für Batterien mit einer Länge zwischen 330 mm und 310 mm besteht keine Notwendigkeit, die Position mit der Fixierungsplatte zu fixieren.

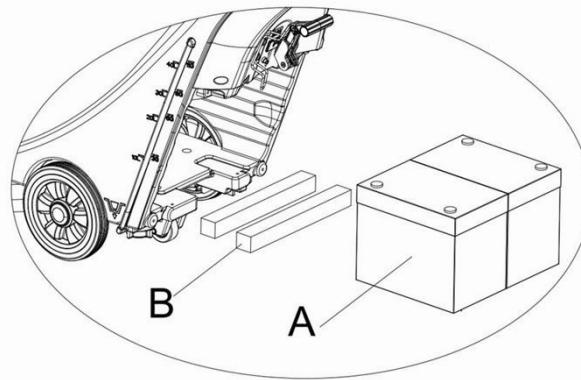


Abbildung 6

14. Setzen Sie die Batterie mit speziell angefertigten Batterie-Installationsgeräten ein (**A, Abbildung 7**). Nachdem die Batterie eingesetzt ist, entfernen Sie die Batterie-Installationsgeräte, und installieren Sie die Batterie-Fixierungshalterung (**B, Abbildung 7**).

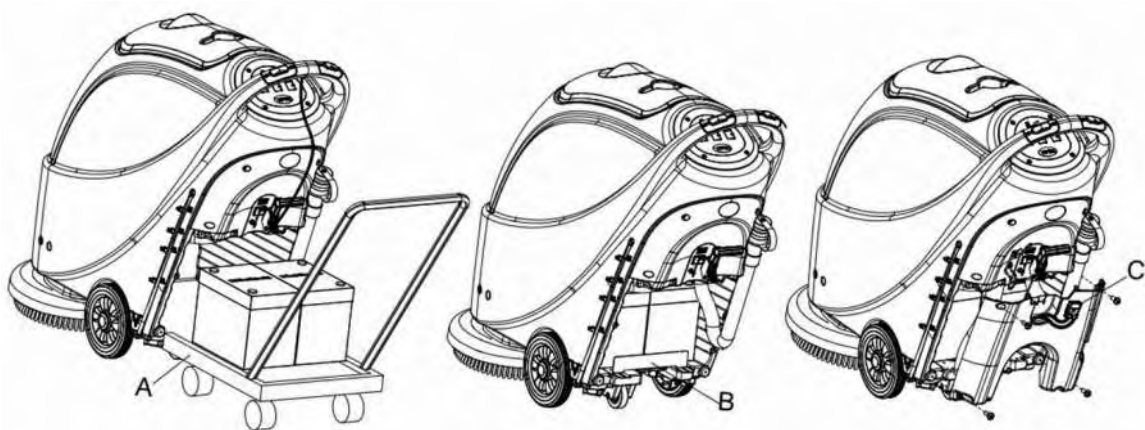


Abbildung 7

15. Stecken Sie den Batterie-Anschluss (**C, Abbildung 7**) durch das Loch auf der Oberseite der Batterieabdeckung, stecken Sie dann den Ablaufschlauch durch das rechte Loch der Batterieabdeckung. Fixieren Sie die Batterieabdeckung mit 4 Schrauben, und installieren Sie dann nacheinander die Abstreifer-Zugschnur, den Ablaufschlauch und den Abstreifer.

Aufladen der Batterie

16. Aufladen der Batterie (siehe angegebene Schritte im Abschnitt Wartung).

VOR INBETRIEBNAHME DES GERÄTS

MONTIEREN UND ENTFERNEN DER BÜRSTEN/PAD-HALTERUNG



HINWEIS

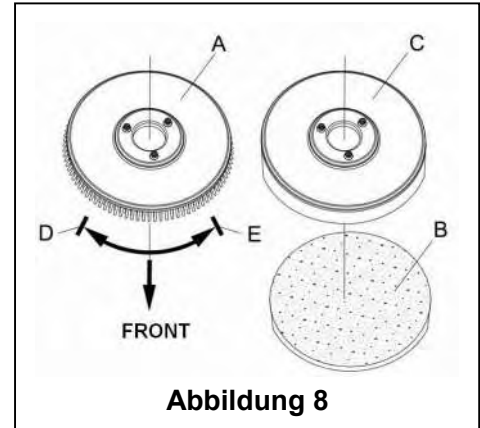
Je nach Art des zu reinigenden Bodens kann das Gerät mit Bürste (Abbildung 8, A) oder einem Pad-Halter (Abbildung 8, B und C) ausgestattet werden.



ACHTUNG!

Bei der manuellen Installation oder Entfernung des Bürsten/Pad-Halters überprüfen Sie zuerst, ob alle Schalter in der Aus-Position sind, und heben Sie den Abstreifer über den Boden an. Erst dann kann am Bürsten- oder Pad-Halter gearbeitet werden. Ziehen Sie außerdem Schutzhandschuhe an, um zu vermeiden, dass Sie sich durch Fragmente verletzen.

1. (Gilt nur für AS430B und AS510B): Stellen Sie sicher, dass sich der Schalter (41) in der Trennposition (O) befindet.
2. Drücken Sie den Lenker (2) nach unten, um das Tankgehäuse (26) anzuheben.
3. Legen Sie die Bürste (A) oder den Pad-Halter (B - C) unter das Gehäuse.
4. Verwenden Sie den Lenker (2) zum Absenken des Tankgehäuses (26), damit es in Kontakt mit der Bürste oder dem Pad-Halter kommt.
5. Um den Bürsten/Pad-Halter automatisch zu installieren, schalten Sie den Netzschalter (41) auf die "I"-Position und drücken Sie den Sicherheitsschalter (1). Schieben Sie das Gerät vorsichtig vorwärts, sodass sich die Riemenscheibe an der Unterseite des Tankgehäuses an der Bürste oder dem Pad-Halter ausrichten kann, die dann installiert werden können. Dann lassen Sie den Sicherheitsschalter los. Falls erforderlich, wiederholen Sie diesen Vorgang, bis der Bürsten/Pad-Halter installiert ist.
6. Wenn sich Schritt 5 als zu schwierig erweist, verwenden Sie die manuelle Methode, indem Sie der Pfeilspitze (D) folgen, um den Bürsten/Pad-Halter (wie in **Abbildung 8** gezeigt) zu installieren.
7. Um den Bürsten/Pad-Halter automatisch zu entfernen, schalten Sie den Netzschalter (41) auf die "O"-Position. Halten Sie mit der Hand den Lenker, und drücken Sie das Gerät nach unten, bis das Führungsrad den Boden berührt und der Bürsten/Pad-Halter in der Luft hängt. Schalten Sie den Netzschalter (41) auf die "I"-Position, und drücken Sie den Sicherheitsschalter nach unten, damit sich die Bürste oder der Pad-Halter dreht, bis der Bürsten/Pad-Halter auf den Boden fällt.
8. Wenn sich Schritt Nr. 7 als zu schwierig erweist, verwenden Sie das manuelle Verfahren, indem Sie den Bürsten/Pad-Halter entgegen der normalen Drehrichtung drehen, er kann dann entfernt werden. (Wie in **Abbildung 8** dargestellt.)



EINSTELLEN DER SAUGLEISTE

9. Installieren Sie die Saugleiste und drehen Sie ihn mit dem Griff fest. Schließen Sie dann den Saugschlauch an die Saugleiste an.
10. Passen Sie die Saugleiste durch den Einstellgriff (A) an (siehe **Abbildung 9**).
 - 1) Wenn der mittlere Teil der hinteren Saugleistes, Abschnitt B, einen Abstand zum Boden hat oder der nach unten gerichtete Druck relativ schwach ist, passen Sie den Griff in Richtung gegen den Uhrzeigersinn an, bis die gesamte Länge der hinteren Saugleiste den Boden berührt. Die vordere Sauglippe sollte den Boden leicht berühren.
 - 2) Wenn die beiden Enden der hinteren Sauglippe, Abschnitt C und D, einen Abstand zum Boden haben oder der nach unten gerichtete Druck relativ schwach ist, passen Sie den Griff in Richtung des Uhrzeigersinns an, bis die gesamte Länge der hinteren Sauglippe den Boden berührt. Die vordere Sauglippe sollte den Boden leicht berühren.

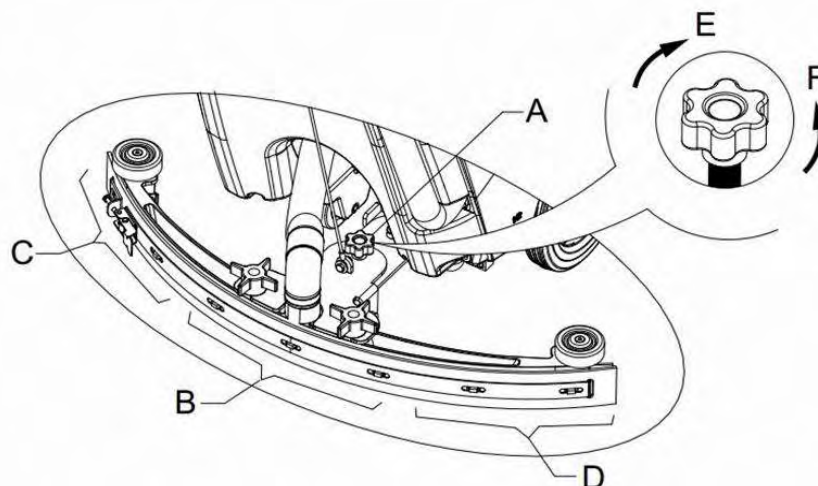


Abbildung 9

Füllung des Frischwassertanks



ACHTUNG!

Es dürfen nur nichtentflammare Reinigungsmittel mit geringer Schaumbildung verwendet werden. Diese Reinigungsmittel müssen für die Verwendung in Nassreinigern geeignet sein.

- Öffnen Sie die Wasserzulauf-Abdeckung (27) und füllen Sie Wasser in den Frischwassertank. Überfüllen Sie den Tank nicht. Das Auffüllen bis zur Kante des Filterhalters des Wasserzulaufs ist ausreichend. Bei der Herstellung der Reinigungslösungen folgen Sie bitte den Verdünnungsverhältnissen, die der Hersteller angegeben hat. Die Wassertemperatur sollte 40 °C nicht überschreiten.

REGULIERUNG DES WASSERDURCHFLUSSES



WARNUNG!

Die Regulierung des Kugelventilhebels (A, Abbildung 10) darf nur durchgeführt werden, wenn der Netzschalter (41) auf der Position "O" steht.

- Die Wasserdurchflussmenge kann durch den Kugelventilhebel (A, Abbildung 10), entsprechend der Wassermenge, angepasst werden, die zum Scheuern erforderlich ist.

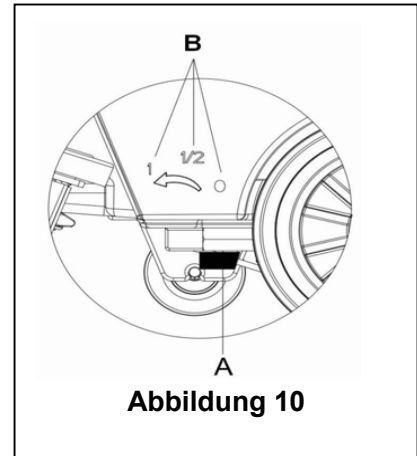


Abbildung 10

START UND STOPP DES GERÄTS

Inbetriebnahme des Geräts

- Führen Sie die vorbereitenden Schritte, wie oben angegeben, durch.
- Drücken Sie den Netzschalter (41) auf die "I"-Position.
- Verwenden Sie den Griff des Abstreifers (41), um ihn abzusenken.
- Drücken Sie den Vakuumpumpen-Schalter (42) auf die "I"-Position.
- Drücken Sie den Kontrollschalter für die Wasserdurchflussmenge (44) auf die "I"-Position. (Funktioniert gleichzeitig mit dem Sicherheitsschalter (1), um die Funktion des Magnetventils zu steuern.)
- Halten Sie den Sicherheitsschalter (1) und schieben Sie das Gerät, um es zu bewegen. Die Bürste (29) beginnt sich zu drehen, und das Gerät beginnt seine Reinigungsarbeit.



VERWENDUNG: Die Methode, um das Gerät zu schieben

Eines der Gerätemerkmale ist die Installation von zwei Sicherheitsschaltern auf beiden Seiten des Lenkers. Jeder Sicherheitsschalter kann unabhängig vom anderen die Funktion der Bürste zu überwachen. Im Einsatz vereinfachen sie die Steuerung der Gerätefunktion.

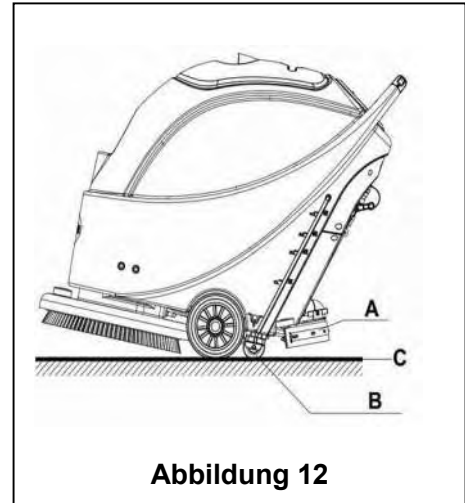
Aus Erfahrung kann gesagt werden, dass die Methode, das Gerät zu bewegen, wie in der rechten Abbildung 11 dargestellt, geeigneter ist. Die Arbeitshaltung der Hände des Anwenders ist angenehmer und Arbeitsermüdung wird reduziert. Dem Anwender wird daher empfohlen, das Gerät auf diese Weise zu bewegen.



Abbildung 11

Ausschalten des Geräts

7. Wenn Sie die Gerätenutzung beendet haben, entfernen Sie zuerst den Bürsten/Pad-Halter (siehe Schritte im Abschnitt Montieren und Entfernen der Bürsten/Pad-Halterung).
8. Lassen Sie den Sicherheitsschalter (1) los, um den Bürsten/Pad-Halter und das Magnetventil auszuschalten.
9. Drücken Sie den Vakuumpumpen-Schalter (42) auf die "O"-Position. Die Vakuumpumpe verzögert die Abschaltung für 5 Sekunden, bevor die Funktion eingestellt wird.
10. Drücken Sie den Kontrollschalter für die Wasserdurchflussmenge (44) auf die "O"-Position, um das Magnetventil vollständig auszuschalten.
11. Drücken Sie den Netzschalter (41) auf die "O"-Position.
12. Verwenden Sie den Hebegriff der Saugleiste (14), um den Abstreifer anzuheben.
13. Greifen Sie den Lenker (2) und kippen Sie vorsichtig das Gerät zurück, bis das Führungsrad (B) den Boden berührt. Siehe **Abbildung 12**

**Abbildung 12****EINSATZ DES GERÄTS (SCHEUERN UND TROCKNEN)**

1. Starten Sie das Gerät gemäß der obigen Beschreibung.
2. Halten Sie den Sicherheitsschalter (1) (wie in **Abbildung 11** dargestellt), schieben Sie das Gerät, um es zu bewegen, und beginnen Sie mit der Reinigung.
3. Wenn nötig, schalten Sie das Gerät aus, und stellen Sie den Regulierungsgriff des Abstreifers ein. (Siehe die Schritte zum Einstellen der Abstreiferposition)
4. Wenn nötig, schalten Sie das Gerät aus, und stellen Sie die Wasserdurchflussmenge mit dem Kugelventilhebel ein. (Siehe die Schritte zur Einstellung der Wasserdurchflussmenge.)

**ACHTUNG!**

Um eine Beschädigung des Bodens zu vermeiden, wenn das Gerät ohne Vorwärtsbewegung an einem Platz steht, schalten Sie den Netzschalter (41) aus.

Batterieentladung während des Einsatzes

5. Nur wenn die grüne Warnleuchte (38) kontinuierlich leuchtet, ist die Stromversorgung durch die Batterie für den normalen Betrieb des Geräts ausreichend.

**HINWEIS**

Wenn alle vier grünen Leuchten (38) eingeschaltet sind, bedeutet das, dass die Batterie vollständig aufgeladen ist.

Wenn nur die letzte grüne Leuchte (38) eingeschaltet ist und beginnt zu blinken, wird empfohlen, die Batterie aufzuladen, da das Gerät automatisch nach ein paar Minuten anhält.

Nachdem die letzte grüne Leuchte (38) erlischt, und die roten Leuchten (39 und 40) zu blinken beginnen, wird das Gerät automatisch nach wenigen Sekunden angehalten. (Siehe Schritte im Abschnitt Wartung).

**ACHTUNG!**

Verwenden Sie das Gerät nicht, wenn die Stromversorgung der Batterie nicht ausreicht, um eine Beschädigung der Batterie und die Verkürzung der Lebensdauer der Batterie zu vermeiden.

TANK ENTLEREEN

Wenn der Schmutzwassertank voll ist, blockiert ein Schwimmer in der automatischen Abschaltvorrichtung (36) den Zufluss, der mit der Vakuumpumpe verbunden ist. Bei einer plötzlichen Erhöhung des Geräuschpegels der Vakuumpumpe kann davon ausgegangen werden, dass die Vakuumpumpe bereits überlastet wird und eine sofortige Ableitung des Abwassers erforderlich ist.

**ACHTUNG!**

Wenn sich die Vakuumpumpe plötzlich ausschaltet (z. B. weil das Gerät ruckartig bewegt wird, was zu einer Aktivierung des Schwimmers führt), und wenn eine Fortsetzung des Betriebs erforderlich ist, führen Sie bitte die folgenden Schritte aus: Drücken Sie die Netzschalter (41 und 42), um das Gerät und die Vakuumpumpe auszuschalten, und öffnen Sie die Schmutzwassertank-Abdeckung (25), um zu überprüfen, ob der Schwimmer im Schwimmer-Filter an die Wasseroberfläche zurückgekehrt ist. Dann schließen Sie die Schmutzwassertank-Abdeckung (25) und drücken die Netzschalter (41 und 42), um das Gerät und die Vakuumpumpe einzuschalten.

Wenn der Schmutzwassertank vollständig mit Abwasser gefüllt ist, führen Sie die folgenden Schritte aus, um ihn zu entleeren.

Entleeren des Schmutzwassertanks

1. Schalten Sie das Gerät aus.
2. Heben Sie mit dem Hebegriff der Sauglippe (14) den Abstreifer an.
3. Bewegen Sie das Gerät zu einem geeigneten Entsorgungsplatz.
4. Greifen Sie den Lenker (2) und kippen Sie vorsichtig das Gerät zurück, bis das Führungsrad den Boden berührt. (Ankoppeln des Geräts, siehe Maßnahmen im Abschnitt Anhalten des Geräts.)
5. Nehmen Sie den Ablaufschlauch vom Befestigungsclip, biegen Sie das obere Ende des Ablaufschlauchs (wie in **A, Abbildung 13**, dargestellt). Öffnen Sie dann die Abdeckung des Ablaufschlauchs, senken Sie den Ablaufschlauch auf ein niedriges Niveau oder auf den Boden, um das Wasser abzulassen. Alternativ können Sie den Ablaufschlauch in eine niedrige Position oder auf den Boden absenken, damit der Wasserablauf nach unten zeigt (wie in **B, Abbildung 13**, dargestellt). Drehen Sie dann die Abdeckung des Wasserablaufschlauchs auf, um das Abwasser aus dem Tank zu leiten. Reinigen Sie nach der vollständigen Entleerung den Schmutzwassertank mit sauberem Wasser.

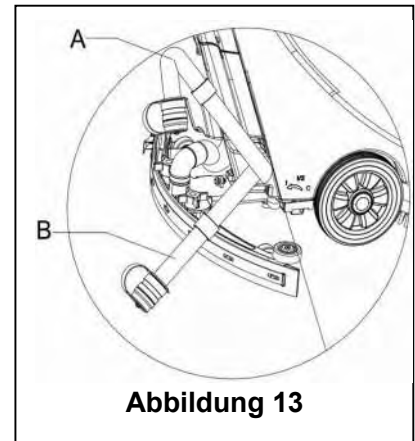


Abbildung 13

**ACHTUNG!**

Beim Ablassen des Abwassers muss das Vakuum-Rohr für Abfälle gefaltet oder abgesenkt werden (wie in Abbildung 13, A oder B dargestellt). Öffnen Sie dann den Deckel des Vakuum-Rohrs für Abfälle, um das Wasser abzulassen. Heben Sie den Ablauf des Vakuum-Rohrs für Abfälle nicht nach oben an, um das Wasser vertikal abzulassen. Damit vermeiden Sie, dass Abwasser auf den Anwender spritzt.

Entleeren des Frischwassertanks

6. Führen Sie die Schritte 1 bis 4. aus
7. Wie in **Abbildung 14** dargestellt, öffnen Sie den Deckel des Frischwassertanks (A) im Gegenuhrzeigersinn, und entleeren den Frischwassertank vollständig. Verwenden Sie sauberes Wasser, um das Innere des Frischwassertanks zu reinigen. Wenn der Arbeitsgang abgeschlossen ist, drehen Sie den Deckel des Frischwassertanks (A) fest im Uhrzeigersinn in Richtung B.

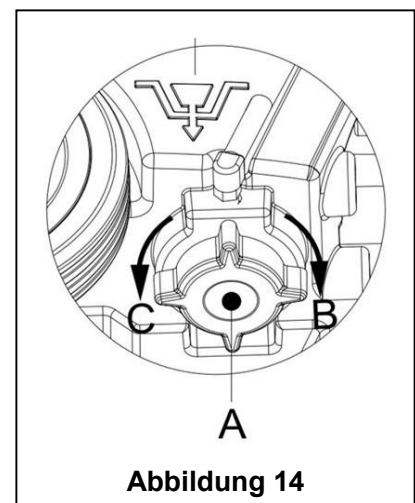


Abbildung 14

NACH DEM EINSATZ DES GERÄTS

Nach dem Einsatz und bevor Sie das Gerät verstauen, führen Sie die folgenden Schritte aus:

1. Folgen Sie den Anweisungen im vorgenannten Abschnitt über die Installation und Entfernung des Bürsten/Pad-Halters, und entfernen Sie den Bürsten/Pad-Halter.
2. Folgen Sie den Anweisungen in den entsprechenden Abschnitten, und entleeren Sie vollständig den Frischwassertank und den Schmutzwassertank.
3. Führen Sie die tägliche Wartung durch (siehe Abschnitt Wartung).

4. Lagern Sie das Gerät, einschließlich des Bürsten/Pad-Halters und Saugleiste, an einem sauberen und trockenen Ort. Die Saugleiste sollte angehoben oder abgenommen werden.

STILLSTANDSZEITEN

Wenn das Gerät für mehr als 30 Tage nicht genutzt wird, gehen Sie nach folgender Art und Weise vor:

1. Führen Sie die notwendigen Maßnahmen durch, die nach dem normalen Gebrauch des Geräts auszuführen sind.
2. Ziehen Sie den Stecker (9), der die Batterie und das Gerät verbindet.
3. Um die Batterie nicht zu beschädigen, und wenn das Gerät länger als 3 Monate nicht genutzt wird, bitte laden Sie die Batterie einmal alle 3 Monate auf.

VOR DER ERSTEN VERWENDUNG

Nach der Verwendung für die ersten 9 Stunden überprüfen Sie bitte alle Teile, um sicherzustellen, dass sich nichts gelockert hat oder während des Betriebs beschädigt wurde, und überprüfen Sie, ob es irgendwelche sichtbaren Schäden oder Lecks gibt.

WARTUNG UND PFLEGE

Die Lebensdauer und die maximale Betriebssicherheit des Geräts werden durch die richtige und rechtzeitige Wartung und Pflege gewährleistet.

Die folgende Tabelle enthält einen allgemeinen Wartungsplan für das Gerät. Die Zeitabstände der Wartung werden zu einem großen Teil von den Arbeitsbedingungen des Geräts bestimmt. Diese Zeitintervalle sollten von den verantwortlichen Personen für die Wartung und Pflege formuliert werden.



WARNUNG!

Diese Verfahren sollten erst durchgeführt werden, nachdem das Gerät ausgeschaltet ist und die Verbindung zwischen dem Gerät und der Batterie getrennt wurde. Bevor Sie mit einer der Wartungsarbeiten beginnen, lesen Sie bitte sorgfältig die damit verbundenen Sicherheits-Abschnitte.

Alle Wartungsarbeiten, die im Plan aufgeführt sind oder alle zusätzlichen Wartungsarbeiten dürfen nur durch qualifiziertes Personal oder autorisierte Service-Zentren durchgeführt werden.

Diese Anleitung enthält nur die einfachsten und häufigsten Wartungsarbeiten.

Alle Wartungsarbeiten, die nicht in dieser Tabelle der geplanten Wartungsarbeiten aufgeführt sind, entnehmen Sie bitte der Wartungsanleitung des Service-Centers.

TABELLE DER PLANMÄSSIGEN WARTUNGSARBEITEN

Verfahren	Täglich, Gerät Nach der Benutzung	Wöchen- tlich	Alle 6 Monate	Jährlich
Batterie aufladen				
Abstreifer reinigen				
Bürsten/Pad-Halter reinigen				
Frischwassertank und Schwimmerfilter reinigen, Dichtungsband des Wassertanks überprüfen				
Abstreiferband überprüfen und wechseln				
Frischwasserfilter reinigen				
Vakuumpumpen-Filter reinigen				
Flüssigkeitsstand der WET-Batterie überprüfen				
Dichtheit von Schrauben und Muttern überprüfen			(1)	
Kohlebürste des Bürsten/Pad-Halter-Motors überprüfen und wechseln				(2)
Kohlebürste der Vakuumpumpe überprüfen und wechseln				(2)

(1) Durchführung nach den ersten 9 Einsatzstunden.

(2) Diese Wartung muss von einem autorisierten VIPER-Service Center durchgeführt werden.

AUFLADEN DER BATTERIE



HINWEIS

Die Batterie muss aufgeladen werden, wenn die gelben oder roten Warnleuchten aufleuchten, oder jedes Mal, wenn der Einsatz beendet wurde.



ACHTUNG!

Halten Sie die Batterie in einem voll aufgeladenen Zustand, um die Lebensdauer der Batterie zu verlängern.



ACHTUNG!

Sobald die Leistung der Batterie unzureichend ist, muss die Batterie so bald wie möglich aufgeladen werden. Überprüfen Sie bitte das Ladegerät mindestens einmal pro Woche.



ACHTUNG!

Wenn das Gerät nicht mit einem eingebauten Ladegerät ausgestattet ist, wählen Sie bitte ein geeignetes externes Ladegerät, um die Batterie aufzuladen.



WARNUNG!

Besondere Vorsicht ist beim Laden der Batterie geboten, da es während des Ladevorgangs zum Austritt von Säure kommen kann. Batteriesäure ist ätzend. Wenn die Haut oder das Auge versehentlich in Kontakt mit Batteriesäure kommt, spülen Sie mit viel Wasser und suchen Sie sofort einen Arzt auf.

1. Öffnen Sie die Abdeckung des Schmutzwassertanks (25) und überprüfen Sie, ob der Tank leer ist oder nicht. Wenn er nicht leer ist, leeren Sie ihn über den Ablaufschlauch. 15.
2. Bringen Sie das Gerät an einen speziellen Ladeplatz.
3. Drücken Sie den Netzschalter (41) auf die "O"-Position und schalten Sie das Gerät aus.
4. Gilt nur für WET-Wasser-Addition-Batterie
 - Überprüfen Sie den Füllstand der Elektrolytlösung in der Batterie. Falls erforderlich, füllen Sie sie durch den Deckel auf.
 - Halten Sie alle Deckel geöffnet.
 - Falls erforderlich, reinigen Sie die Oberseite der Batterie.
5. Wählen Sie eines der folgenden Verfahren, um die Batterie, gemäß dem verwendeten Batteriemodell, aufzuladen.

Aufladen einer Batterie mit einem externen Ladegerät

6. Überprüfen Sie, gemäß der dazugehörigen Bedienungsanleitung, ob das externe Ladegerät geeignet ist. Die Ausgangsspannung muss DC 24 V betragen.
7. Schließen Sie den Batterie-Stecker an den externen Anschluss an, und verbinden Sie den externen Anschluss mit dem Stromnetz.
8. Wenn der Ladevorgang abgeschlossen ist, verbinden Sie den Ladestecker der Batterie mit dem Gerät.

Aufladen einer Batterie mit einem eingebauten Ladegerät (optional)

9. Entfernen Sie den Gummideckel am Ende des Batterie-Ladeanschlusses.
10. Verbinden Sie das Ende des Batterie-Ladeanschlusses über ein Ladeanschlusskabel mit dem Stromnetz. (Überprüfen Sie, ob die Eingangsspannung des eingebauten Ladegeräts 220 V - 240 V und die Ausgangsspannung 24 V betragen und die Frequenz den Anforderungen entspricht.) Wenn das Ladegerät an das Stromnetz angeschlossen ist, werden alle anderen Funktionen automatisch ausgeschaltet. Wenn die rote Warnleuchte des eingebauten Ladegeräts kontinuierlich leuchtet, lädt das Ladegerät die Batterie.
11. Wenn die grüne Warnleuchte (47) leuchtet, wird damit angezeigt, dass der Batterie-Ladevorgang abgeschlossen ist.
12. Wenn der Ladevorgang abgeschlossen ist, entfernen Sie das Ladeanschlusskabel vom Ende des Batterie-Ladeanschlusses und der Stromversorgung, und setzen Sie den Gummideckel wieder auf.
13. Trennen Sie das Ladeanschlusskabel von der Stromversorgung, und wickeln Sie das Kabel auf die Rolle (6).

**HINWEIS**

Wenn Sie weitere Informationen über das eingebaute Ladegerät (35) benötigen, entnehmen Sie sie bitte der dazugehörigen Bedienungsanleitung.

REINIGEN DES ABSTREIFERS**HINWEIS**

Um die optimale Wirkung des Wasser-Vakuums zu gewährleisten, muss der Abstreifer sauber gehalten werden, und das Abstreiferband muss in gutem Zustand bleiben.

**ACHTUNG!**

Es wird empfohlen, bei der Reinigung des Abstreifers Schutzhandschuhe zu tragen, da dieser scharfe Fragmente enthalten kann.

1. Stellen Sie das Gerät auf eine ebene und glatte Oberfläche.
2. Drücken Sie den Netzschalter (41) auf die "O"-Position und schalten Sie das Gerät aus.
3. Lösen Sie die Feststellknöpfe (16) des Abstreifers; entfernen Sie den Anschluss für die Verbindung des Schmutzwasser-Vakuumsrohrs zum Abstreifer, und entfernen Sie den Abstreifer.
4. Verwenden Sie den Hebegriff des Abstreifers (14), um den Tragrahmen des Abstreifers anzuheben.
5. Reinigen Sie den Abstreifer (**Abbildung 15**). Reinigen Sie insbesondere die Nut (**A, Abbildung 15**), und entfernen Sie Schmutz und Fragmente aus dem Vakuum-Rohr. Prüfen Sie, ob das vordere Abstreiferband (C) und das hintere Abstreiferband (D) intakt sind, und ob es gebrochenen Kanten und Risse gibt. Tauschen Sie sie, falls erforderlich, aus (siehe Schritte im folgenden Abschnitt).
6. Installieren Sie den Abstreifer in der umgekehrten Reihenfolge der oben genannten Schritte.

ÜBERPRÜFEN UND AUSTAUSCHEN DES ABSTREIFERBANDS

1. Folgen Sie den Anweisungen, die im Abschnitt Reinigen des Abstreifers aufgeführt sind (**Abbildung 15**).
2. Überprüfen Sie die Kante (**E, Abbildung 15**) des vorderen Abstreiferbands und die Kante (F) des hinteren Abstreiferbands (D). Sie sollten über die gesamte Länge auf der gleichen Ebene liegen. Passen Sie sonst ihre Höhen durch folgende Vorgehensweise an.
 - Lösen Sie die Klammer (G), um das hintere Abstreiferband (D) von der Halterung (M) zu lösen, um die Position des Abstreifers anzupassen. Arretieren Sie nach der Einstellung die Klammer wieder.
 - Lösen Sie die Schraube am Griff (I), um das vordere Abstreiferband anzupassen (C); ziehen Sie die Griffschraube nach der Einstellung wieder fest.
3. Prüfen Sie, ob das vordere Abstreiferband (C) und das hintere Abstreiferband (D) intakt sind, und ob es gebrochenen Kanten und Risse gibt. Falls erforderlich, wechseln Sie sie in der folgenden Art und Weise aus. Überprüfen Sie die vordere Kante des hinteren Abstreiferbands (J), ob es abgenutzt ist. Wenn es abgenutzt ist, kann es anders herum installiert werden (die Oberkante muss intakt sein). Wenn die obere Kante ebenfalls abgenutzt ist, wechseln Sie das Band wie folgt aus:
 - Öffnen Sie die Klammer (G), um das Druckblatt von der Halterung (M) zu lösen, entfernen Sie die Klammerschiene (K), und wechseln Sie dann das hintere Abstreiferband (D) aus oder drehen Sie es anders herum. Installieren Sie das hintere Abstreiferband in der umgekehrten Reihenfolge.
 - Lösen Sie die Griffschraube (I) und entfernen Sie die Frontklammerschiene (L), und wechseln Sie dann den vorderen Abstreifer (C). Installieren Sie das vordere Abstreiferband in der umgekehrten Reihenfolge. Passen Sie das Niveau des hinteren und vorderen Abstreiferbands nach Austausch des Abstreiferbands (oder der umgekehrten Installation) an, indem Sie den oben beschriebenen Schritten folgen.
4. Verbinden Sie das Vakuum-Rohr (11) mit dem Abstreifer.
5. Installieren Sie den Abstreifer und verwenden Sie den Knopf (16), um ihn festzuziehen, und dann schließen Sie das Vakuum-Rohr an den Abstreifer an.
6. Falls nötig, stellen Sie den Abstreifer durch das Einstellrad (20) ein (siehe Verfahren zum Einstellen der Abstreiferposition).

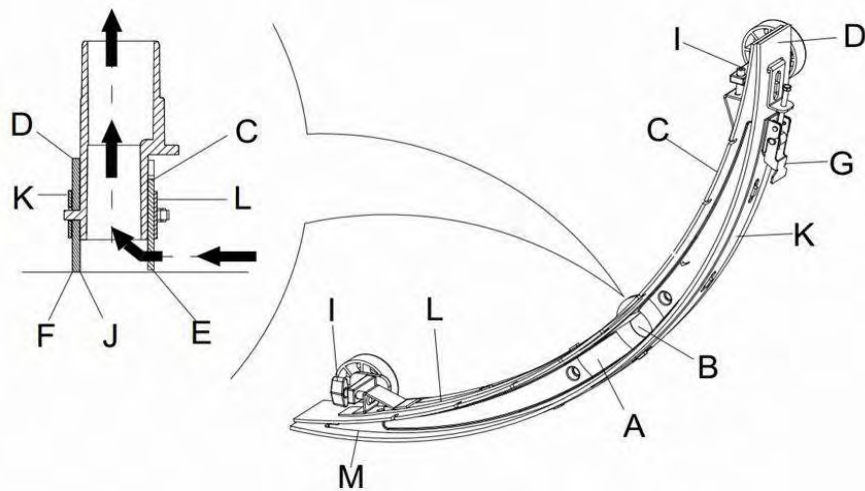


Abbildung 15

REINIGEN VON BÜRSTE/POLIERPAD



ACHTUNG!

Es wird empfohlen, bei der Reinigung des Bürsten/Pad-Halters Schutzhandschuhe zu tragen, da scharfe Fragmente enthalten sein können.

1. Entfernen Sie den Bürsten/Pad-Halter in der Art und Weise, wie in den vorangegangenen Abschnitten beschrieben ist.
2. Reinigen Sie der Bürsten/Pad-Halter mit Wasser und Reinigungsmittel.
3. Überprüfen Sie die Vollständigkeit und Abnutzung der Borsten auf der Bürste und, falls erforderlich, wechseln Sie die Bürste aus.
4. Überprüfen Sie den Abnutzungszustand des Pad-Halters und, falls erforderlich, wechseln Sie den Pad-Halter aus.

REINIGEN DES SCHMUTZWSSERTANKS UND DES SCHWIMMFILTERSIEBS

1. Bewegen Sie das Gerät zu einem geeigneten Entsorgungsplatz.
2. Drücken Sie den Netzschalter (41) auf die "O"-Position und schalten Sie das Gerät aus.
3. Öffnen Sie die Abdeckung des Schmutzwassertanks (A, **Abbildung 16**), und entnehmen Sie den Schwimmer (36) aus dem Schmutzwassertank.
4. Verwenden Sie klares Wasser zur Reinigung des Tankdeckels (A), der Tanks (B und C) und der Schwimmer-Filterfassung (E). Lassen Sie durch das Schmutzwasserrohr (15) das gesamte Wasser aus dem Wassertank ablaufen.
5. Folgen Sie, falls nötig, den Symbolen "Öffnen" und "Schließen", wie in **Abbildung 16** dargestellt, öffnen Sie den unteren Deckel (F) des Schwimmer-Filters und reinigen den Schwimmer (D), die Schwimmer-Filterfassung (E) und den Filter-Schwamm (I). Fixieren Sie nach der Reinigung den Schwimmer auf der Schwimmer-Filterfassung (E), und richten Sie die Markierungsnut (L) des unteren Deckels (F) des Schwimmer-Filters nach der Markierungsnut (L) der Schwimmer-Filterfassung (E) aus. Drehen Sie den unteren Deckel (F) des Schwimmer-Filters fest und fixieren Sie den Filter-Schwamm (I) auf der Schwimmer-Filterfassung (E) und dann auf dem Vakuum-Rohr (M).
6. Überprüfen Sie die Zuverlässigkeit des Dichtrings (G) der Wassertankabdeckung.



HINWEIS

Der Dichtungsring (G) des Wassertanks dient dazu, im Wassertank ein Vakuum zu erzeugen. Er muss vollständig abgedichtet sein, um das Abwasser effektiv vom Boden absaugen zu können.

Falls erforderlich, sollte der Dichtungsring des Wassertanks (G) aus der Nut (H) entnommen und ausgetauscht werden. Beim Einsatz eines neuen Wassertank-Dichtrings, wie in **Abbildung 16** unten dargestellt, installieren Sie den Anschluss im mittleren Bereich des hinteren Teils.

7. Prüfen Sie, ob die aufnehmende Oberfläche des Dichtrings (G) intakt ist und ausreichend abdichtet.
8. Schließen Sie die Abdeckung des Schmutzwassertanks (A).

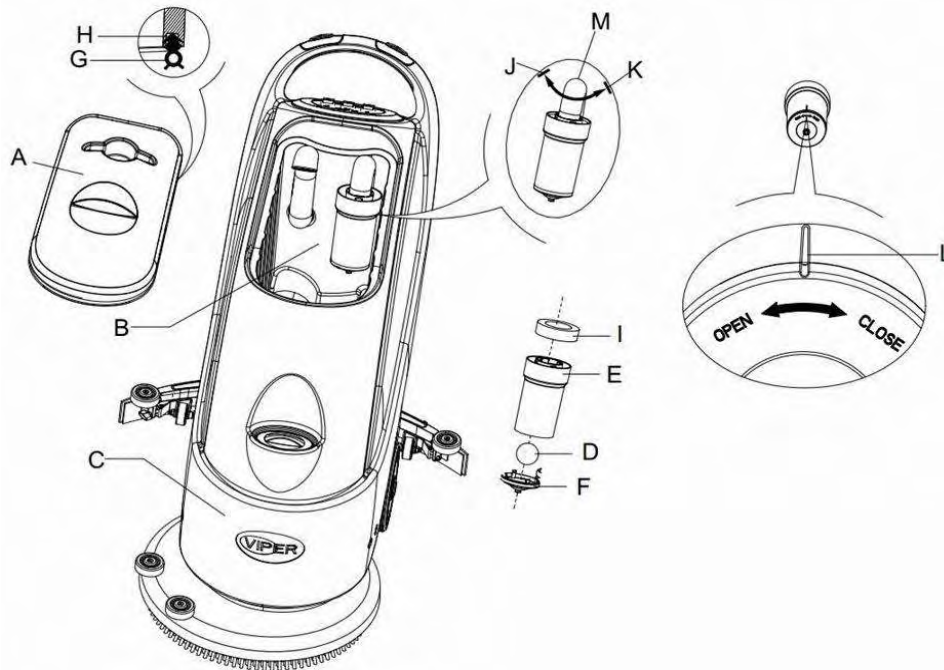


Abbildung 16

REINIGEN DES FRISCHWSSERTANKS

1. Lassen Sie das Wasser aus dem Frischwassertank in der Art und Weise ab, wie in den entsprechenden Abschnitten beschrieben.
2. Stellen Sie das Gerät auf eine ebene und glatte Oberfläche.
3. Drücken Sie den Netzschalter (41) auf die "O"-Position und schalten Sie das Gerät aus.
4. Drehen Sie das Kugelventil des Ablasses zu **(A, Abbildung 17)** (es befindet sich an der Unterseite des Geräts, hinter den Rädern). Position B Kugelventil geöffnet und Position C Kugelventil geschlossen.
5. Entfernen Sie den transparenten Deckel (D) und dann den Filter (E), und installieren Sie ihn nach der Reinigung auf der Filterabdeckung (F).



HINWEIS

Der Filter (E) muss genau auf die Position der Ausbuchtung (G) gesetzt werden.

6. Öffnen Sie das Kugelventil des Ablasses (A).

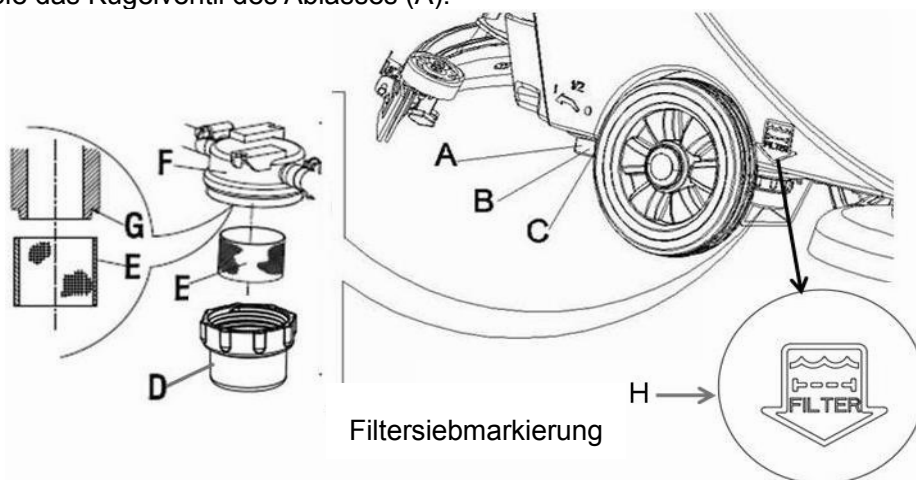
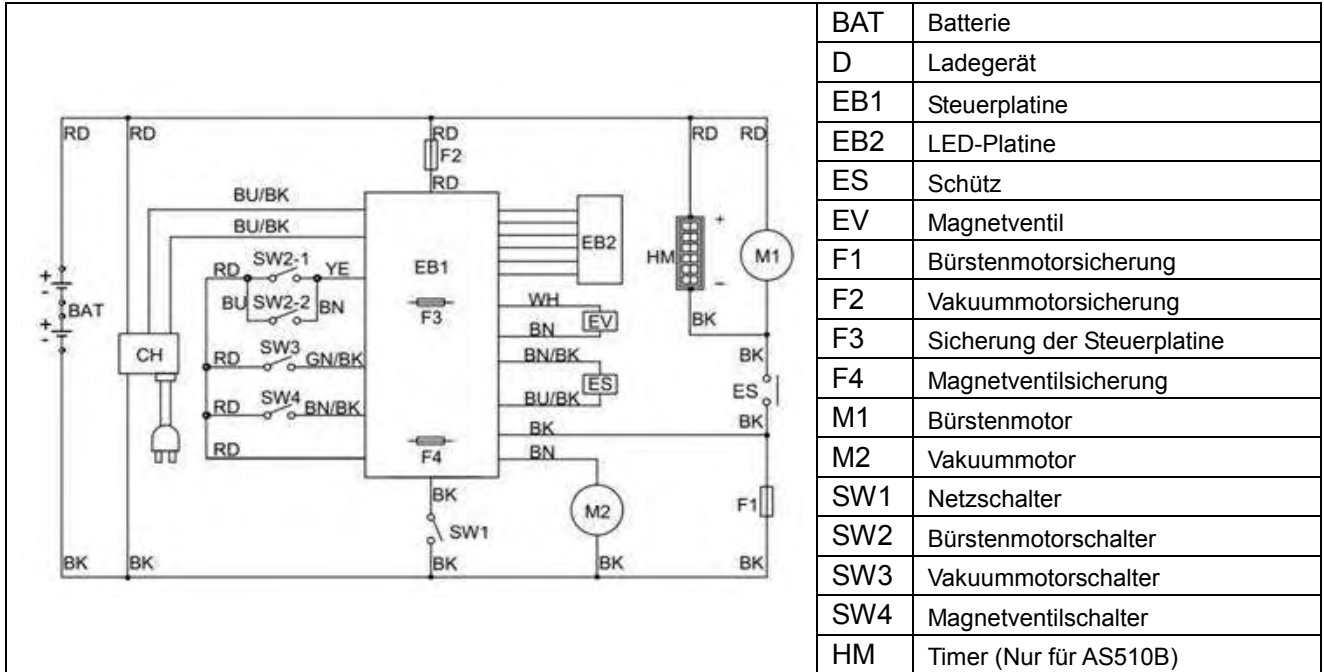


Abbildung 17

SCHALTKREISDIAGRAMM VON AS430B UND AS510B



FARB-CODES		
RD=ROT	BN=BRAUN	BU/BK=BLAU/SCHWARZ
BU=BLAU	YE=GELB	GN/BK=GRÜN/SCHWARZ
BK=SCHWARZ	WH=WEISS	BN/BK=BRAUN/SCHWARZ

FEHLERBEHEBUNG

Störung	Mögliche Ursachen	Behebung
Gerät funktioniert nicht: Kontrollleuchte leuchtet nicht	Batterie-Anschluss (9) nicht angeschlossen.	Schließen Sie den Batterie-Anschluss an
	Batterieladung bereits erschöpft	Batterie aufladen
Warnleuchten (39 und 40) blinken	Bürstenmotor überlastet	Wechseln Sie zu einer weichen Bürste, angepasst an den zu reinigenden Boden
	Andere Gegenstände blockieren die Rotation der Bürste	Reinigen Sie die Bürste
Bürste funktioniert nicht	Bürstensicherungs-Schnellabschaltung	Rücksetzen
	Riemen rutscht	Riemen überprüfen, Spannrolle anpassen
Vakuum-Motor funktioniert nicht	Vakuumsicherungs-Schnellabschaltung	Rücksetzen
Unzureichendes Vakuum	Schmutzwassertank ist voll.	Wassertank entleeren
	Vakuum-Rohr für Abfall und Abstreifer nicht richtig angeschlossen	Verbinden Sie das Vakuum-Rohr für Abfall und den Abstreifer
	Schwimmer-Filter oder Einlass blockiert	Reinigen Sie den Schwimmer-Filter, überprüfen Sie die Schwimmerkugel
	Abstreifer verschmutzt oder Abstreiferband abgenutzt und beschädigt	Reinigen und überprüfen Sie den Abstreifer
	Schmutzwassertank-Deckel nicht richtig geschlossen oder der Dichtring des Wassertanks ist beschädigt	Schließen Sie den Deckel richtig oder wechseln Sie den Dichtring des Wassertanks
Frischwasserversorgung der Bürste unzureichend	Filter verschmutzt.	Filter reinigen
Abstreifer hinterlässt Spuren	Schmutzablagerungen, wie Fragmente unter dem Abstreiferband	Entfernen Sie die Fragmente
	Abstreiferband bereits abgenutzt, rissig, spröde.	Wechseln Sie das Abstreiferband
	Saugleiste nicht eingestellt	Einstellen der Position



HINWEIS

Wenn das Gerät mit dem optional eingebauten Ladegerät ausgestattet ist, und wenn das eingebaute Ladegerät defekt ist, kann das Gerät nicht betrieben werden.

Wenn das eingebaute Ladegerät defekt ist, wenden Sie sich bitte an das autorisierte Wartungs-Zentrum.

Weiter Informationen finden Sie in der Wartungsanleitung (in jedem Wartungs-Zentrum von VIPER erhältlich).

GERÄTEENTSORGUNG

Verwenden Sie geeignete Zerkleinerungsanlagen, um dieses Gerät zu entsorgen.

Bevor Sie dieses Gerät entsorgen, trennen und entnehmen Sie bitte die folgenden Materialien, die nach einschlägigen Gesetzen und Verordnungen, richtig verarbeitet werden müssen.

- Batterie
- Bürsten/Pad-Halter
- Kunststoff-Schläuche und Kunststoffteile
- Elektrische und elektronische Komponenten (*)

(*): Wenden Sie sich bitte an das nächstgelegene VIPER-Center (vor allem, wenn die Entsorgung von elektrischen und elektronischen Komponenten erforderlich ist).

TABLE DES MATIÈRES

INTRODUCTION	39
CONTENU DU MANUEL	39
BUT	39
PIÈCES DÉTACHÉES ET MAINTENANCE	39
MODIFICATIONS ET AMÉLIORATIONS	39
CHAMP D'APPLICATION	39
DÉBALLAGE/TRANSPORT	39
GUIDE DE SÉCURITÉ D'ORDRE GÉNÉRAL.....	40
DONNÉES TECHNIQUES.....	41
DESCRIPTION DE LA MACHINE	41
STRUCTURE DE LA MACHINE	41
PANNEAU DE COMMANDE	42
FENÊTRE D'AFFICHAGE DE L'INDICATEUR LUMINEUX DU CHARGEUR.....	43
GUIDE D'UTILISATION	43
INSTALLER ET CONFIGURER LA BATTERIE DE LA NOUVELLE MACHINE	43
INSTALLATION DE LA BATTERIE ET DÉFINITION DU TYPE DE BATTERIE (ACIDE OU GEL/AGM).....	44
AVANT LE DÉMARRAGE DE LA MACHINE	45
INSTALLER ET RETIRER LE SUPPORT DE BROSSE/PLATEAU PORTE DISQUE	45
RÉGLER L'INCLINAISON DE LA RACLETTE	46
RÉGULER LE VOLUME DU DÉBIT D'EAU	46
DÉMARRAGE ET ARRÊT DE LA MACHINE	47
FONCTIONNEMENT DE LA MACHINE (NETTOYAGE ET SÉCHAGE).....	47
VIDER LE RÉSERVOIR.....	48
APRÈS AVOIR UTILISÉ LA MACHINE	49
PÉRIODES D'INACTIVITÉ	49
UTILISATION POUR LA PREMIÈRE FOIS	49
ENTRETIEN ET SOIN	49
TABLEAU D'ENTRETIEN PLANIFIÉ	50
CHARGER LA BATTERIE.....	50
NETTOYAGE DE LA RACLETTE	51
VÉRIFICATION ET REMPLACEMENT DE LA LAME DE RACLETTE	52
NETTOYER AVEC LA BROSSE/LE PLATEAU PORTE DISQUE.....	52
NETTOYAGE DU RÉSERVOIR D'EAU ET DE LA GRILLE DU FILTRE À FLOTTEUR.....	52
NETTOYER LE FILTRE DE SOLUTION	53
SCHÉMA DU CIRCUIT AS430B ET AS510B	54
DÉPANNAGE	55
MISE AU REBUT DE LA MACHINE	55

INTRODUCTION



REMARQUE

Les chiffres entre parenthèses renvoient aux composants correspondants indiqués dans la section Description de la Machine.

CONTENU DU MANUEL

Ce manuel est destiné à fournir à l'opérateur les informations nécessaires pour utiliser cette machine correctement et en toute sécurité. Ces informations comprennent les données techniques, la sécurité, le fonctionnement, le stockage, l'entretien et la mise au rebut de la machine. L'opérateur et les techniciens disposant des qualifications correspondantes doivent étudier attentivement ce manuel avant de commencer à utiliser et à entretenir cette machine. Veuillez contacter VIPER pour toute explication sur ce manuel ou si des informations complémentaires sont nécessaires.

BUT

Le but de ce manuel est de permettre à l'opérateur et aux techniciens qualifiés d'effectuer la maintenance de cette machine.

L'opérateur ne doit pas effectuer les opérations devant uniquement être effectuées par les techniciens. VIPER ne sera pas responsable des dommages causés par la violation de cette règle.

PIÈCES DÉTACHÉES ET MAINTENANCE

Toutes les procédures nécessaires de mise en service, de maintenance et de réparation doivent être effectuées par du personnel qualifié ou par les centres de service de VIPER

Seules les pièces détachées et les accessoires autorisés doivent être utilisés.

Si une réparation ou une commande de pièces détachées ou d'accessoires sont nécessaires, veuillez contacter VIPER avec le numéro de modèle de la machine et les numéros de série.

MODIFICATIONS ET AMÉLIORATIONS

VIPER effectue des améliorations continues sur ses produits. VIPER se réserve le droit de modifier et d'améliorer les machines ainsi que le droit de décider de lui-même si les avantages apportés par les modifications sont applicables aux produits déjà vendus. Tous les changements ou accessoires supplémentaires doivent être acceptés par VIPER et doivent être effectués par l'entreprise.

CHAMP D'APPLICATION

Cette autolaveuse est utilisée dans un environnement domestique et industriel. Elle est adaptée au nettoyage des sols lisses et durs (lavage et collecte des eaux usées). Elle doit être utilisée par des opérateurs qualifiés et dans un environnement sûr. Cette autolaveuse ne peut pas être utilisée pour nettoyer à l'extérieure, sur les tapis et sur des sols relativement rugueux.

DÉBALLAGE/TRANSPORT

Veuillez suivre attentivement les instructions sur l'emballage lors du déballage.

Lors de la livraison, veuillez contrôler l'emballage et la machine pour vous assurer qu'aucun dommage ne s'est produit pendant le transport. En cas de dommage apparent, veuillez conserver le formulaire original et demander au transporteur de confirmer et de remplir une liste de dommages pour indemnisation.

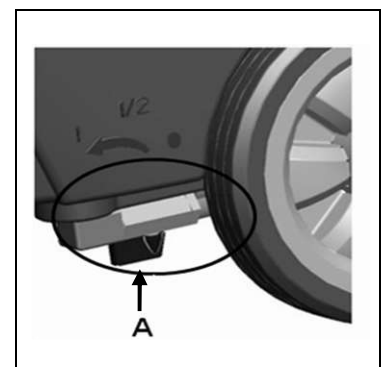


— ATTENTION

Lors du déballage et de déchargement, ou pendant le déplacement de la machine sur un sol avec des marches, veuillez vous assurer d'éviter de frapper l'interrupteur marche/arrêt régulant le débit d'eau, Partie A de la figure de droite.

Vérifiez si la machine est équipée des éléments suivants :

1. Documents techniques
 - Manuel utilisateur Autolaveuse
 - Manuel du chargeur embarqué (si équipé)
2. connecteur pour Chargeur (si non équipé d'un chargeur embarqué, il se situe sur le chargeur externe spécifié)



GUIDE DE SÉCURITÉ D'ORDRE GÉNÉRAL

Les points suivants sont des avertissements et des avis spéciaux concernant les dommages potentiels (physiques et matériels):



AVERTISSEMENT !

- La machine ne doit être utilisée que sous l'autorité de ce manuel. Seuls les accessoires autorisés par VIPER doivent être utilisés.
- Cette machine doit uniquement être utilisée par du personnel dûment formé ou autorisé. Les enfants ou les personnes non qualifiées ne doivent pas utiliser cette machine.
- En utilisation normale, la batterie peut émettre des gaz inflammables. La batterie doit être maintenue éloignée des articles rayonnants, lumineux et enflammés ainsi que des étincelles. Quand la machine est en cours d'utilisation, veuillez vous assurer que l'environnement est bien ventilé et à l'écart des flammes nues. Pendant le chargement, veuillez ne pas fumer à proximité de la machine.
- Veuillez débrancher la batterie avant d'effectuer toute opération de maintenance/réparation.
- Avant d'utiliser le chargeur embarqué, veuillez vous assurer que les valeurs de tension et de fréquence indiquées sur l'étiquette du numéro de série correspondent à celles de l'alimentation secteur.
- Quand vous travaillez à proximité de pièces électriques, veuillez ne pas porter de bijoux. Veuillez prendre toutes les précautions pour éviter que les cheveux, les bijoux et les vêtements amples ne se prennent dans les pièces en mouvement de la machine.
- Veuillez ne pas utiliser cette machine dans des endroits particulièrement sales. Ne lavez pas cette machine directement avec de l'eau. Ne laissez pas cette machine entrer en contact avec des liquides corrosifs.
- La température de stockage et de fonctionnement de la machine doit être comprise entre 0 et 40 °C.
- L'humidité de l'air doit être comprise entre 30% et 105%.
- Veuillez ne pas utiliser la machine sur une pente présentant une inclinaison de plus de 2 %.
- En cas d'incendie, veuillez utiliser des extincteurs à poudre. N'utilisez pas d'extincteurs à eau.
- Une attention particulière doit être prêtée quand la machine est transportée par une température inférieure à 0°C. Le réservoir d'eau et l'eau dans les tuyaux peut geler et causer de graves dommages à la machine.
- Utilisez les brosses et les patins fournis avec la machine et celles indiquées dans le Manuel utilisateur. L'utilisation d'autres brosses ou patins peut réduire la sécurité.
- En cas de dysfonctionnement de la machine, veuillez vous assurer qu'il n'est pas causé par un manque d'entretien. S'il est causé par d'autres facteurs, veuillez contacter le personnel autorisé ou le service après-vente.
- S'il est confirmé que les pièces de rechange doivent être remplacées, veuillez obtenir les pièces d'origine provenant de revendeurs ou d'agents autorisés.
- Afin d'assurer le fonctionnement correct et en toute sécurité de la machine, veuillez laisser le personnel autorisé ou le centre de service assurer la maintenance planifiée en fonction du calendrier d'entretien dans les parties correspondantes de ce manuel.
- Cette machine doit être correctement mise au rebut, car elle peut contenir des éléments toxiques et dangereux (batteries, etc.) et ces éléments doivent être jetés dans des centres spéciaux, conformément aux lois et règlements applicables (veuillez consulter la partie mise au rebut de la machine).

DONNÉES TECHNIQUES

Modèle	AS430B	AS510B
Hauteur de la machine	980 mm	
Capacité du réservoir de solution	40 litres	
Capacité du réservoir de récupération	40 litres	
Diamètre de la roue de transport	200 mm	
Diamètre de la roue de guidage	76 mm	
Puissance moteur du système d'aspiration	350 W	
Pente maximale en fonctionnement	2 % (Maxi)	
Niveau de pression acoustique sur le poste de travail	70 dB(A) ±3 dB(A)	
Batteries standard	(2×12 V) 24 V 85 Ah AGM	(2×12 V) 24 V 105 Ah AGM
Dimensions compartiment batterie (l xL xH)	340 x 330 x 260 mm (Maxi)	
Dépression	1200 mm H ₂ O	
Largeur de travail	430 mm	510 mm
Largeur de la raclette	730 mm	790 mm
longueur maximale de la machine	1060 mm	1100 mm
Largeur de la machine sans raclette	480 mm	540 mm
Diamètre de la brosse	430 mm	510mm
Poids avec batteries et réservoirs vides	112 kg	128 kg
Poids brut de la machine prête à l'emploi	152 kg	168 kg
Puissance du moteur de la brosse	550 W	560 W
Vitesse de la brosse	150 tr/min	
Pression maximale brosse/support du patin	30 kg (Maxi)	35 kg (Maxi)
Dimensions de l'emballage (L x l x H)	1200 x 610 x 1170 mm	

DESCRIPTION DE LA MACHINE**STRUCTURE DE LA MACHINE**

- | | |
|--|--|
| 1. Interrupteur de sécurité | 20. Molette de réglage de la raclette |
| 2. Guidon | 21. Cadre de support arrière de la raclette |
| 3. Panneau de commande | 22. Cadre de support avant de la raclette |
| 4. Plaque de numéro de série/Données techniques/Certificat de conformité | 23. Porte gobelet |
| 5. Couvercle de commande | 24. Poignée du couvercle du réservoir de récupération |
| 6. Porte-câble (*) | 25. Couvercle du réservoir de récupération |
| 7. Indicateur lumineux de charge de la batterie | 26. Corps du réservoir |
| 8. Bouton de réinitialisation | 27. Ouverture pour le remplissage d'eau |
| 9. Connecteur de la batterie | 28. Carter brosse |
| 10. Couvercle de la batterie | 29. Brosse/plateau portedisque |
| 11. Flexible d'aspiration | 30. Moteur d'aspiration |
| 12. Câble de relevage de la raclette | 31. Moteur de la brosse |
| 13. Couvercle de sécurité connecteur de batterie | 32. Roue de 20,32cm |
| 14. Poignée de relevage de la raclette | 33. Batterie |
| 15. Tuyau de vidange | 34. Tube d'aspiration |
| 16. Manette de la raclette | 35. Chargeur (*) |
| 17. Lame de maintien de la raclette | 36. Filtre à flotteur |
| 18. Bavetteracleuse | 37. Tube de niveau d'eau (indique la quantité d'eau dans le réservoir de solution) |
| 19. Cadre de support de la raclette | |

(*) applicable uniquement aux machines déjà dotées du chargeur embarqué (en option)

SCHÉMAS DE LA STRUCTURE DE LA MACHINE

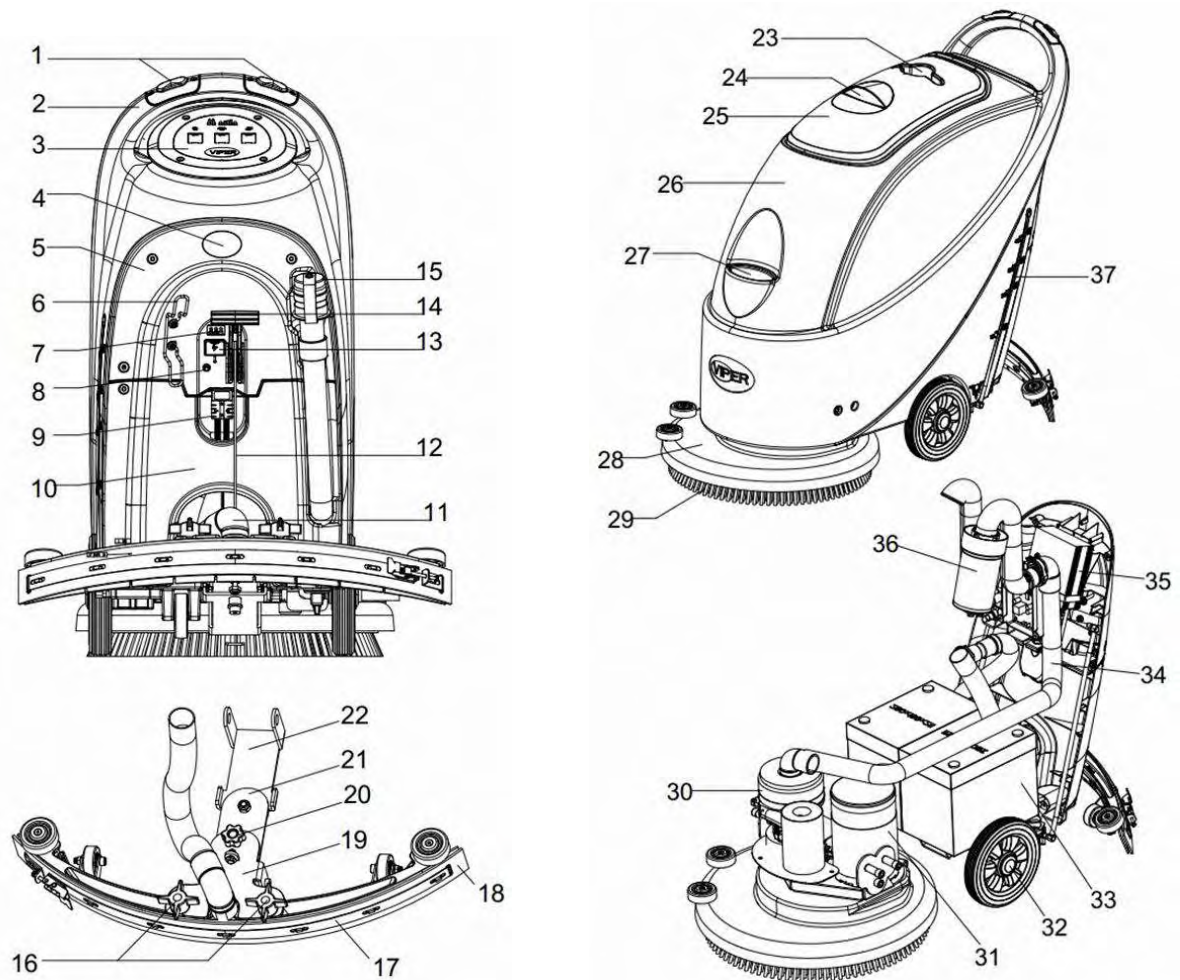


Figure 1

PANNEAU DE COMMANDE (Figure 2)

- 38. Indicateur lumineux de niveau de batterie (vert : batterie pleine)
- 39. Indicateur lumineux de batterie déchargée (rouge)
- 40. Indicateur lumineux de batterie déchargée (rouge)
- 41. Interrupteur marche-arrêt
- 42. Interrupteur de l'aspiration
- 43. Compteur horaire (en option, utilisé pour enregistrer la durée de fonctionnement de la brosse)
- 44. Interrupteur de l'électrovanne pour le contrôle de l'arrivée d'eau

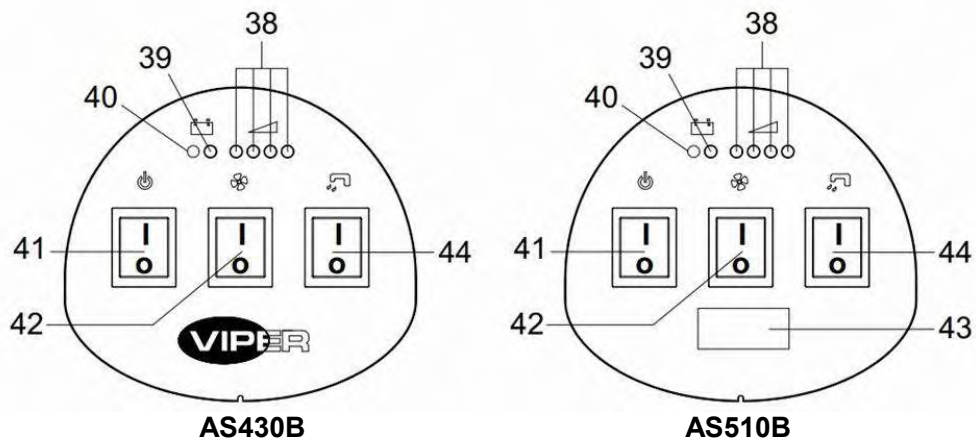


Figure 2

FENÊTRE D'AFFICHAGE DE L'INDICATEUR LUMINEUX DU CHARGEUR (Figure 3)

(Option, applicable aux modèles avec chargeur intégré)

1. Quand le chargement commence, l'indicateur lumineux rouge du chargeur (45) clignote plusieurs fois puis devient rouge fixe, entrant dans la première phase de chargement;
2. Après une certaine période de chargement, l'indicateur lumineux rouge du chargeur (45) s'éteint. Un indicateur lumineux jaune (46) s'allume en permanence, entrant dans la deuxième phase de chargement;
3. Après environ 10 heures de chargement, l'indicateur lumineux orange (46) s'éteint. (47) L'indicateur lumineux vert reste allumé en permanence, indiquant que la charge est complète et que le chargement est terminé.

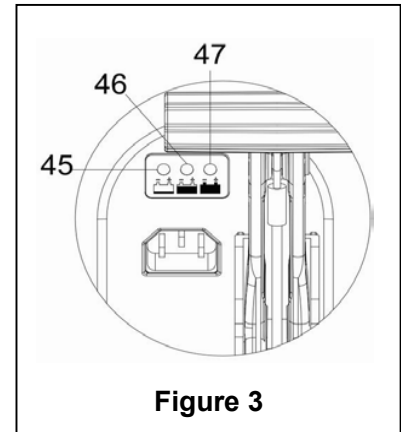


Figure 3



REMARQUE

- 1) Lors du chargement, si l'indicateur lumineux jaune clignote : le type de batterie n'est pas compatible avec le chargeur ou la batterie n'est pas branchée correctement ou un court-circuit s'est produit à la borne de sortie.
- 2) Si l'indicateur lumineux rouge clignote : court-circuit à l'intérieur du chargeur. (Pour plus de détails, veuillez consulter les chapitres correspondants dans les instructions du chargeur)

GUIDE D'UTILISATION



Veuillez vérifier que la batterie n'e

AVERTISSEMENT

Des signes indicatifs sont collés sur certaines parties de la machine :

- DANGER
- AVERTISSEMENT
- ATTENTION
- CONSULTATION

Lors de la lecture de ce manuel, l'opérateur doit prêter une attention particulière aux symboles de ces signes.

En aucun cas ces signes ne doivent être recouverts. S'ils sont endommagés, veuillez les remplacer immédiatement.

INSTALLER ET CONFIGURER LA BATTERIE DE LA NOUVELLE MACHINE



AVERTISSEMENT

Si la batterie est installée ou branchée de manière incorrecte, les composants électriques de la machine peuvent être gravement endommagés. La batterie ne peut être installée que par du personnel qualifié. Selon le numéro de modèle de la batterie utilisée (ACIDE ou GEL), mettre le circuit imprimé fonctionnel et le chargeur embarqué (en option).

st pas endommagée avant de l'installer.

Débranchez le connecteur de la batterie et la fiche du chargeur embarqué.

Soyez vigilant quand vous touchez la batterie.

Cette machine nécessite deux (2) batteries 12 V. Veuillez les brancher comme indiqué sur la **Figure 4** à droite.

Cette machine peut être alimentée par l'un des modèles suivants:

a). Batteries (ACIDE ou GEL/AGM) déjà installées et pouvant être utilisées à tout moment.

1. Vérifiez la batterie. À l'aide du connecteur (9), branchez la batterie à la machine.
2. (Seulement applicable sur AS430B et AS510B): Appuyez sur l'interrupteur marche/arrêt (41). Si le voyant vert est allumé, cela indique que la batterie est prête à être utilisée.

Si le voyant orange ou rouge est allumé, cela indique que la batterie doit être chargée. (Veuillez consulter la partie sur la maintenance pour connaître les procédures correspondantes).

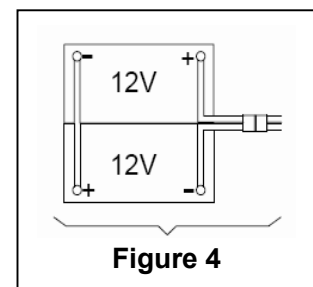


Figure 4

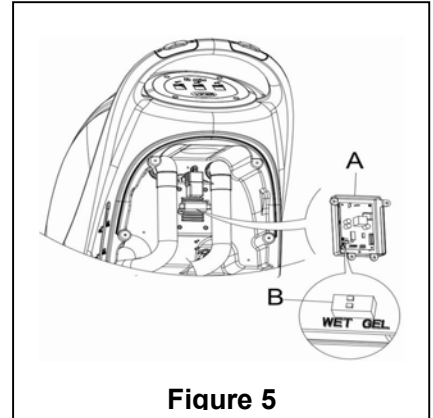
b) Sans batteries

1. Achetez une batterie similaire (consultez la partie sur les paramètres techniques). Des informations sur le choix des batteries peuvent être obtenues auprès d'agents qualifiés en batteries.
2. Réglez la machine et le chargeur embarqué (si doté) en fonction du type de batteries (ACIDE ou GEL/AGM). Lisez également le paragraphe suivant sur la façon d'installer la batterie.

INSTALLATION DE LA BATTERIE ET DÉFINITION DU TYPE DE BATTERIE (ACIDE OU GEL/AGM)

Selon le type de batterie (ACIDE ou GEL/AGM), réglez la carte de circuit électrique sur le chargeur embarqué. Les procédures sont les suivantes :

1. Assurez-vous que le connecteur de la batterie est débranché. Si la machine est dotée d'une batterie « AGM » en sortie d'usine, passez directement à l'étape 8. Sinon, effectuez les étapes 2, 3 et 4.
2. Retirez le tuyau de vidange (15)
3. Si doté d'un chargeur embarqué, veuillez retirer le câble de charge de la bobine.
4. Retirez le couvercle de commande (5) et les vis du couvercle de la batterie (10). Retirez les vis du support de la carte à circuits imprimés. Le commutateur DIP (B) permettant de définir le modèle de batterie est visible en retournant la carte à circuits imprimés. (Voir **Figure 5**)
5. Réglez le commutateur micro DIP (B) sur la position « WET »,
6. Effectuez les étapes 3, 4 et 5 dans l'ordre inverse.

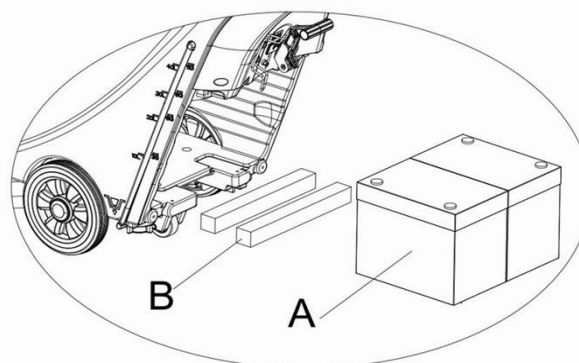
**Figure 5****Installer les batteries**

7. Débranchez le connecteur de la batterie (9) .
8. Ouvrez le couvercle du réservoir de récupération (25) et vérifiez si le réservoir de récupération est vide ou non. S'il ne l'est pas, videz-le par le tuyau de vidange (15).
9. Dévissez la molette de la raclette fixe (16), retirez le connecteur raccordant le flexible d'aspiration (11) à la raclette, puis retirez la raclette.
10. Desserrez les vis du couvercle de la batterie (10) et retirez le couvercle.
11. Dévissez le connecteur du cordon de tirage de la raclette (12) raccordé au support de la raclette (19) et suspendez le câble de relevage de la raclette vers le haut.
12. Pendez le tuyau de vidange (15) et le tube d'aspiration pour les déchets (11) vers le haut.
13. En fonction de la taille de la batterie, appuyez sur la platine de fixation dans le compartiment de la batterie vers l'intérieur.

**REMARQUE**

Les dimensions de la batterie ne doivent pas dépasser : L x l x H : 330 mm x 170 mm x 260 mm. Selon les dimensions variables des batteries, les exigences pour la sélection des batteries fixes sont les suivantes :

- 1 Pour une batterie de longueur inférieure à 270 mm, utilisez 2 parties de la platine de fixation (**B, Figure 6**) et placez-les côte à côte à l'intérieur de la batterie du réservoir d'eau;
- 2 Pour une batterie avec une longueur comprise entre 270 et 310, utilisez 1 partie de la platine de fixation (**B, Figure 6**) et placez-la à l'intérieur de la batterie du réservoir d'eau;
- 3 Pour une batterie avec une longueur comprise entre 310 et 330 mm, il n'y a pas besoin de la platine de fixation pour fixer la position.

**Figure 6**

14. Installez la batterie avec les outils d'installation de batterie spécialement conçus (**A, Figure 7**). Une fois la batterie installée, retirez les outils d'installation de la batterie et installez le support de fixation de la batterie (**B, Figure 7**).

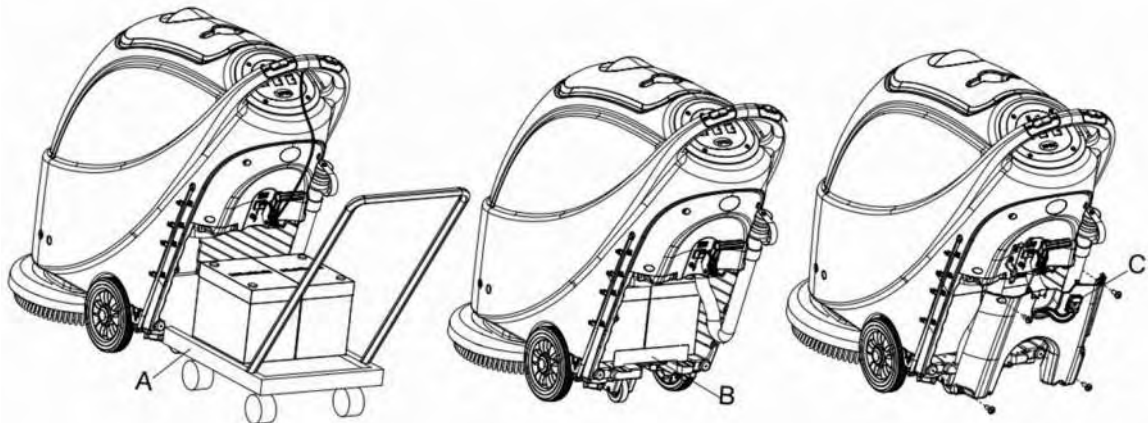


Figure 7

15. Mettez le connecteur de la batterie (**C, Figure 7**) dans le trou sur le dessus du couvercle du boîtier de la batterie. Mettez le tuyau de vidange dans le trou droit du couvercle du boîtier de la batterie, fixez le couvercle du boîtier de la batterie avec 4 vis puis installez successivement le câble de relevage de la raclette, le tuyau de vidange et la raclette.

Charger la batterie

16. Pour charger la batterie (consulter les étapes indiquées dans la partie maintenance).

AVANT LE DÉMARRAGE DE LA MACHINE

INSTALLER ET RETIRER LE SUPPORT DE BROSSE/PLATEAU PORTE DISQUE



REMARQUE

Selon le type de sol à nettoyer, la machine peut être équipée d'une brosse (Figure 8, A) ou d'un support de disque de nettoyage (Figure 8, B et C).



ATTENTION !

Lors de l'installation ou du retrait manuels de la brosse/du support de patin, vérifiez en premier lieu que tous les interrupteurs sont en position arrêt et relevez la raclette du sol, seulement après quoi le support de brosse ou le plateau porte disque peuvent être manipulés. D'autre part, veuillez mettre des gants de protection pour éviter d'être coupé par des fragments.

- (Uniquement applicable sur **AS430B** et **AS510B**) : assurez-vous que l'interrupteur (41) est en position arrêt (**O**).
- Appuyez sur le guidon (2) pour incliner la machine vers l'arrière (26).
- Placez la brosse (A) ou le plateau porte disque (B - C) selon le cas.
- Utilisez le guidon (2) pour approcher le carter de la brosse (26) afin qu'il entre en contact avec la brosse ou le plateau porte disque.
- Pour installer automatiquement la brosse/plateau porte disque, placez l'interrupteur d'alimentation (41) sur la position "I" et appuyez sur l'interrupteur de sécurité. Pousser doucement la machine vers l'avant afin de permettre à la roue de la courroie au fond du corps du réservoir de s'aligner avec la brosse ou le plateau porte disque qui peut ensuite être installé. Puis relâchez l'interrupteur de sécurité. Si nécessaire, répétez cette procédure jusqu'à ce que la brosse/le plateau porte disque soit installé.

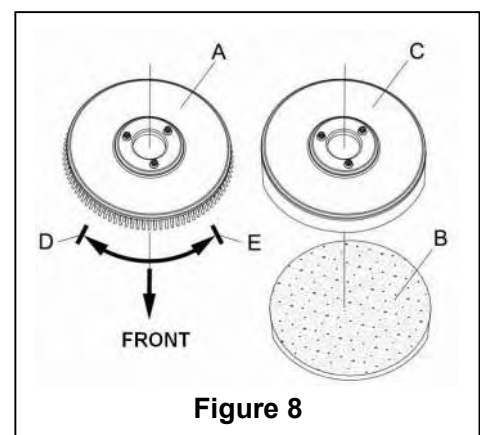


Figure 8

6. Si l'étape 5 ci-dessus s'avère difficile, utilisez la méthode manuelle en suivant la flèche (D) pour installer la brosse/le plateau porte disque (comme indiqué dans la **Figure 8**).
7. Pour retirer automatiquement la brosse/le support du patin, tournez l'interrupteur d'alimentation jusqu'à la position "O". Tenez le guidon avec la main puis appuyez sur la machine vers le bas jusqu'à ce que la roue de guidage touche le sol et que la brosse/le plateau porte disque soit suspendu dans l'air. Mettez l'interrupteur d'alimentation (41) sur la position "I" et appuyez sur l'interrupteur de sécurité pour laisser la brosse ou le plateau porte disque tourner jusqu'à ce que la brosse/le plateau tombe au sol.
8. Si l'étape n° 7 ci-dessus s'avère difficile, utilisez la méthode manuelle en tournant la brosse/le plateau porte disque dans la direction opposée au sens normal de rotation, il peut alors être retiré. (comme indiqué dans la **Figure 8**)

RÉGLER L'INCLINAISON DE LA RACLETTE

9. Installez la raclette et serrez les molettes à la main. Puis raccordez le flexible d'aspiration à la raclette.
10. Réglez la raclette avec la molette de réglage (A) de la raclette (voir **Figure 9**).
 - 1) Si la partie médiane de la bande arrière de la raclette, section B, présente un écart avec le sol ou si la pression descendante est relativement légère, réglez la poignée dans le sens inverse des aiguilles d'une montre jusqu'à ce que toute la bavette arrière de la raclette soit bien en contact avec le sol. La bavette avant de la raclette doit légèrement toucher le sol.
 - 2) Si les deux extrémités de la bavette arrière de la raclette, sections C et D, présentent un écart avec le sol ou si la pression descendante est relativement légère, réglez la molette dans le sens des aiguilles d'une montre jusqu'à ce que toute la bavette arrière de la raclette soit bien en contact avec le sol. La bavette avant de la raclette doit légèrement toucher le sol.

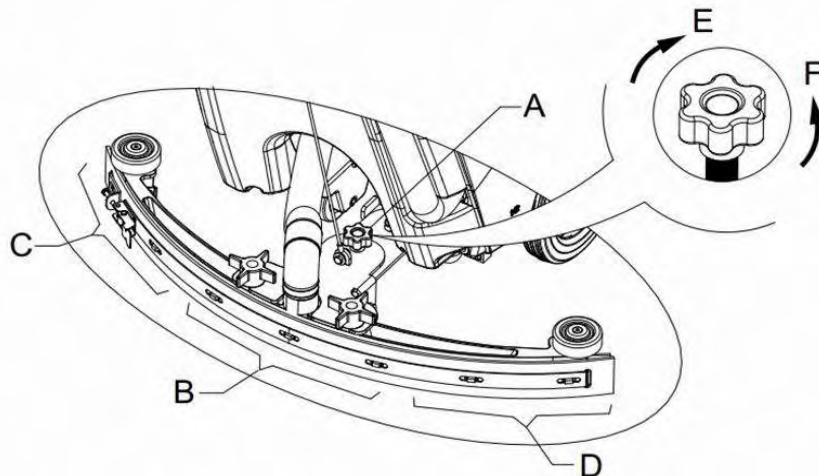


Figure 9

Remplir le réservoir de solution



ATTENTION !

Seuls des détergents non-moussants ou peu moussants et ininflammables doivent être utilisés. Ces détergents doivent être prévus pour être utilisés avec une autolaveuse.

11. Ouvrez le couvercle de l'arrivée d'eau (27) et ajoutez de l'eau dans le réservoir de solution. Ne remplissez pas trop le réservoir. Remplir jusqu'à proximité du bord du porte-filtre de l'arrivée d'eau est suffisant. Lors de la préparation des solutions de nettoyage, veuillez suivre les taux de dilution fournis par le fabricant de produits chimiques. La température de l'eau ne doit pas dépasser 40 °C.

RÉGULER LE DÉBIT D'EAU



AVERTISSEMENT !

Le réglage du robinet d'eau (A, Figure 10) doit être effectuée si l'interrupteur d'alimentation (41) est en position "O".

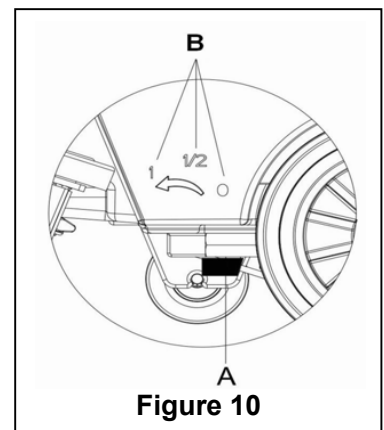


Figure 10

12. Le réglage du débit d'eau peut être effectué grâce au robinet (A, **Figure 10**) en fonction de la nature des sols à laver (dépendant de l'état de salissures et de la porosité des sols).

DÉMARRAGE ET ARRÊT DE LA MACHINE

Démarrer la machine

1. Suivez les étapes préparatoires comme indiqué ci-dessus.
2. Appuyez sur l'interrupteur d'alimentation (41) en position "I".
3. Utilisez la poignée de la raclette (41) pour abaisser la raclette.
4. Appuyez sur l'interrupteur du moteur d'aspiration (42) en position "I".
5. Appuyez sur l'interrupteur de l'électrovanne (44) en position "I". (Travaillez en même temps avec l'interrupteur de sécurité (1) pour contrôler le fonctionnement de l'électrovanne.)
6. Maintenez l'interrupteur de sécurité (1) et poussez pour déplacer la machine. La brosse (29) commence à tourner et l'appareil commence son travail de nettoyage.



CONSULTATION : Comment pousser la machine

L'une des caractéristiques de la machine est l'installation de deux interrupteurs de sécurité sur les deux côtés du guidon. Chaque interrupteur de sécurité est capable de commander indépendamment le fonctionnement de la brosse. En utilisation, cela facilite le contrôle du fonctionnement de la machine. Par expérience, la méthode pour déplacer la machine indiquée sur la **Figure 11** à droite est plus appropriée, les utilisateurs se sentent plus à l'aise avec les mains, elle réduit également la fatigue liée au travail. Il est donc recommandé de déplacer la machine de cette façon.



Figure 11

Éteindre la machine

7. Quand vous avez fini d'utiliser la machine, retirez d'abord la brosse/le plateau porte disque (voir les étapes concernant l'installation et le retrait de la brosse/du support du patin)
8. Relâchez l'interrupteur de sécurité (1) pour éteindre la brosse/le plateau porte disque et l'électrovanne.
9. Appuyez sur l'interrupteur de la pompe d'aspiration (42) sur la position "O" et la pompe d'aspiration s'arrête de fonctionner après une temporisation de 5 secondes.
10. Appuyez sur l'interrupteur de l'électrovanne(44) sur la position "O" pour arrêter complètement le fonctionnement de l'électrovanne.
11. Appuyez sur l'interrupteur d'alimentation (41) sur la position "O".
12. Utilisez la poignée de levage de la raclette (14) pour soulever la raclette.
13. Saisissez le guidon (2) et inclinez légèrement la machine vers l'arrière jusqu'à ce que la roue de guidage (B) touche le sol. Voir **Figure 12**.

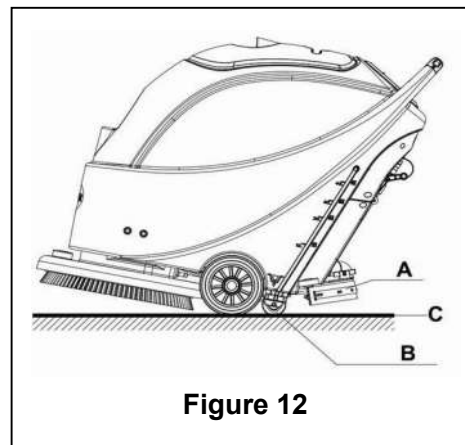


Figure 12

FONCTIONNEMENT DE LA MACHINE (NETTOYAGE ET SÉCHAGE)

1. Démarrez la machine selon la description ci-dessus.
2. Maintenez l'interrupteur de sécurité (1) (selon la manière indiquée dans la **Figure 11**), appuyez pour déplacer la machine et commencez le travail de nettoyage.
3. Si nécessaire, éteignez la machine et réglez la poignée de régulation de la raclette. (Consultez les étapes de réglage d'inclinaison de la raclette)
4. Si nécessaire, éteignez la machine et réglez le volume du débit d'eau avec le robinet quart de tour. (Consultez les étapes de réglage du volume du débit d'eau.)

**ATTENTION !**

Afin d'éviter d'endommager le sol, quand la machine reste à un endroit sans bouger, veuillez mettre l'interrupteur d'alimentation à l'arrêt (41).

Déchargement de la batterie lors de l'utilisation

5. Ce n'est que lorsque l'indicateur lumineux vert (38) est allumé en permanence que l'alimentation électrique de la batterie est suffisante pour le fonctionnement normal de la machine.

**REMARQUE**

Quand les quatre voyants verts (38) sont allumés, cela signifie que la batterie est entièrement chargée.

Quand seul le dernier voyant vert (38) est allumé et commence à clignoter, il est recommandé de charger la batterie pour éviter que la machine s'arrête automatiquement après quelques minutes.

Après que le dernier voyant vert (38) s'est éteint et si le voyant rouge (39 et 40) commence à clignoter, la machine s'arrêtera automatiquement après quelques secondes. (Consultez les étapes indiquées dans la partie entretien).

**ATTENTION !**

N'utilisez pas la machine si l'alimentation électrique de la batterie est insuffisante, afin d'éviter d'endommager la batterie et de réduire sa durée de vie.

VIDER LE RÉSERVOIR

Quand le réservoir de récupération est plein, un flotteur dans le dispositif d'arrêt automatique à flotteur (36) bloque l'admission raccordée au moteur d'aspiration. Du fait de l'augmentation soudaine du bruit de la pompe d'aspiration, on peut considérer que la pompe d'aspiration est déjà en surcharge. Une vidange immédiate de l'eau usée est nécessaire.

**ATTENTION !**

Si la pompe d'aspiration est brusquement éteinte (par exemple parce que la machine est déplacée soudainement suite à une activation du flotteur), et si une reprise du fonctionnement est nécessaire, veuillez effectuer les étapes suivantes : appuyez sur l'interrupteur d'alimentation (41 et 42) pour couper l'alimentation et éteindre le moteur d'aspiration et ouvrez le couvercle du réservoir de récupération (25) pour vérifier si le flotteur du filtre à flotteur est retourné à la surface de l'eau. Puis fermez le couvercle du réservoir de récupération (25) et appuyez sur l'interrupteur d'alimentation (41 et 42) pour allumer l'appareil et le moteur d'aspiration.

Quand le réservoir de récupération est entièrement rempli d'eau usée, effectuez les étapes suivantes pour le vidanger complètement.

Vider le réservoir de récupération

1. Éteignez la machine.
2. En utilisant la poignée de la raclette (14), soulevez la raclette.
3. Déplacez la machine vers un lieu de vidange dédié.
4. Saisissez le guidon (2) et inclinez légèrement la machine vers l'arrière jusqu'à ce que la roue de guidage touche le sol. (Pour arrimer la machine, veuillez consulter les procédures de la partie arrêt de la machine.)
5. Retirez le tuyau de vidange du clip de fixation, pliez l'extrémité supérieure du tuyau de vidange (comme indiqué en **A, Figure 13**) puis ouvrez le bouchon du tuyau de vidange et abaissez le tuyau de vidange en position basse ou au sol pour vidanger l'eau. Vous pouvez également placer directement le tuyau de vidange en position basse ou au sol pour que la sortie d'eau soit orientée vers le bas (comme indiqué en **B, Figure 13**) puis tournez pour ouvrir le bouchon de vidange d'eau afin d'évacuer les eaux usées du réservoir. Une

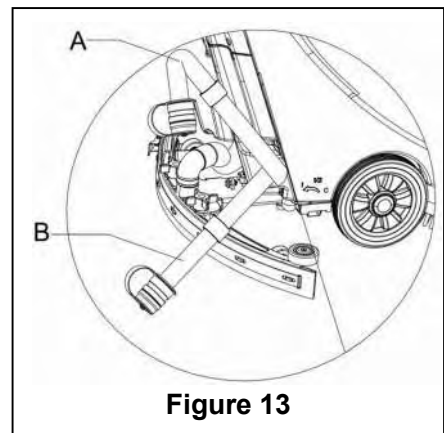


Figure 13

fois la vidange effectuée, utilisez de l'eau propre pour nettoyer l'intérieur du réservoir de récupération.



ATTENTION !

Lors de la vidange des eaux usées, le flexible d'aspiration pour les déchets doit être plié ou abaissé à une position plus basse (comme représenté dans la Figure 13 A ou B) puis ouvrez le bouchon du flexible d'aspiration afin de vidanger l'eau. N'orientez pas la sortie du flexible d'aspiration pour les déchets vers le haut pour vidanger l'eau verticalement. Ceci afin d'éviter que les eaux usées se déversent sur l'opérateur.

Vider le réservoir de solution

- Effectuez les étapes 1 à 4.
- Comme indiqué dans la **Figure 14**, tournez pour ouvrir le bouchon du réservoir de solution (A) dans le sens inverse des aiguilles d'une montre dans la direction C et vidangez complètement le réservoir de solution. Utilisez de l'eau propre pour nettoyer l'intérieur du réservoir de solution. Quand le travail est terminé, serrez bien le bouchon du réservoir de solution (A) dans le sens des aiguilles d'une montre dans la direction B.

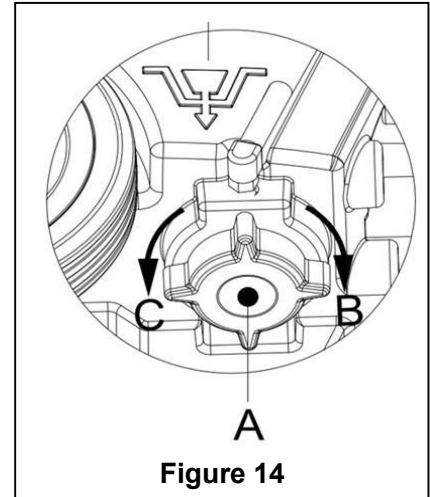


Figure 14

APRÈS AVOIR UTILISÉ LA MACHINE

Quand le travail est terminé et avant de quitter la machine, effectuez les étapes suivantes :

- Suivez la procédure décrite dans la partie ci-dessus concernant l'installation et le retrait de la brosse/du plateau porte disque et enlevez la brosse/le plateau porte disque.
- En suivant les procédures décrites dans les parties correspondantes, vidangez complètement l'eau du réservoir de solution et du réservoir de récupération.
- Effectuez les procédures d'entretien quotidien (consulter la partie sur l'entretien).
- Entreposez la machine, dont la brosse/le plateau porte disque et la raclette, dans un endroit propre et sec. La raclette doit être soulevée ou retirée.

PÉRIODES D'INACTIVITÉ

Si la machine ne va pas être utilisée pendant plus de 30 jours, veuillez effectuer les opérations suivantes :

- Effectuez la procédure nécessaire devant être suivie après l'utilisation de la machine.
- Débranchez le connecteur (9) raccordant la batterie et la machine.
- Afin de ne pas endommager la batterie, et si la machine ne va pas être utilisée pendant plus de 3 mois, veuillez charger la batterie une fois tous les 3 mois.

UTILISATION POUR LA PREMIÈRE FOIS

Après les 9 première heures d'utilisation, veuillez vérifier toutes les pièces afin de vous assurer que rien ne s'est desserré ou endommagé lors du fonctionnement et vérifiez qu'il n'a pas de dommages ou de fuites visibles.

ENTRETIEN ET SOIN

La durée de vie et la sécurité de fonctionnement maximale de la machine sont assurées par un entretien et un soin appropriés et réguliers.

Le tableau suivant fournit un programme général de maintenance pour la machine. Les intervalles d'entretien sont déterminés en grande partie par les conditions de fonctionnement de la machine. Ces intervalles doivent être déterminés par le personnel responsable de la maintenance.



AVERTISSEMENT !

Ces procédures doivent être effectuées uniquement après avoir éteint la machine et débranché le raccordement entre la machine et la batterie. Avant de procéder à l'une des procédures de maintenance, veuillez étudier attentivement les sections relatives à la sécurité correspondantes.

Tout l'entretien du programme ou tout entretien supplémentaire doit être effectué par du personnel qualifié ou des centres de service agréés.

Ce manuel décrit uniquement les procédures de maintenance les plus simples et les plus communes. Pour toute autre procédure de maintenance que celles indiquées dans ce tableau d'entretien planifié, veuillez consulter le manuel de maintenance du centre de service.

TABLEAU D'ENTRETIEN PLANIFIÉ

Procédure	Quotidien, Machine après utilisation	Hebdoma daire	Tous les 6 mois	Annuelle ment
Charger la batterie				
Nettoyer la raclette				
Nettoyer/contrôler la brosse/le plateau porte de disque				
Nettoyer le réservoir d'eau et le filtre à flotteur, contrôler les joints d'étanchéité du réservoir d'eau				
Contrôler et remplacer la bavette de la raclette				
Nettoyer le filtre de solution				
Nettoyer le filtre avec le flotteur du moteur d'aspirateur				
Vérifier le niveau de liquide de la batterie ACIDE				
Vérifier que les écrous et les boulons sont bien serrés			(1)	
Contrôler ou remplacer les charbons du moteur de brosse/plateau porte disque				(2)
Contrôler ou remplacer les charbons du moteur d'aspiration				(2)

(1) Doit être effectué 9 heures après le début de fonctionnement de la machine.

(2) Ces procédures de maintenance doivent être effectuées par un Centre de service après-vente VIPER agréé.

CHARGER LA BATTERIE



REMARQUE

Il convient de charger la batterie quand le voyant d'avertissement orange ou rouge est allumé ou après chaque travail effectué.



ATTENTION !

Conservez la batterie complètement chargée afin de prolonger la durée de vie de la batterie.



ATTENTION !

Une fois que la puissance de la batterie devient insuffisante, la batterie doit être rechargée dès que possible. Veuillez vérifier la charge au moins une fois par semaine.



ATTENTION !

Si un chargeur embarqué n'est pas installé, veuillez choisir un chargeur externe adapté pour charger la batterie.



AVERTISSEMENT !

Une attention particulière doit être prêtée lors de la recharge de la batterie car il peut y avoir une fuite d'acide lors du processus de charge. L'acide des batteries est corrosif. Si la peau ou les yeux entrent accidentellement en contact, veuillez rincer abondamment avec de l'eau et consulter un médecin.

- Ouvrez le couvercle du réservoir de récupération (25) et vérifiez si le réservoir de récupération est vide ou non. S'il n'est pas vide, videz-le à l'aide du tuyau de vidange. (15).
- Déplacez la machine dans une zone de chargement spécifiée.

3. Appuyez sur l'interrupteur d'alimentation (41) sur la position "O" pour éteindre la machine.
4. Uniquement applicable à la batterie ACIDE (ajout d'eau distillée)
 - Vérifiez le niveau d'électrolyte à l'intérieur de la batterie. Si nécessaire, remplissez-la à travers le couvercle.
 - Maintenez tous les couvercles ouverts.
 - Si nécessaire, nettoyez la surface supérieure de la batterie.
5. Sélectionnez l'une des procédures suivantes pour charger la batterie en fonction du modèle de batterie utilisé.

Pour charger une batterie avec un chargeur externe

6. Vérifiez, conformément au manuel correspondant, si le chargeur externe est adapté. La tension de sortie doit être 24 V CC.
7. Branchez le connecteur de la batterie au connecteur externe et branchez le connecteur externe au secteur.
8. Quand la charge est terminée, connectez le connecteur de charge de la batterie à la machine.

Pour charger une batterie avec un chargeur embarqué (optionnel)

9. Retirez le couvercle en caoutchouc à l'extrémité du connecteur de charge de la batterie.
10. Branchez l'extrémité du connecteur de charge de la batterie au secteur avec un câble de connexion de charge. (Veuillez noter que la tension d'entrée du chargeur embarqué est de 220 V - 240 V et que la tension de sortie de 24V et la fréquence sont conformes aux exigences.) Quand le chargeur est branché sur le secteur, toutes les autres fonctions sont arrêtées automatiquement. Si le voyant d'avertissement rouge sur le chargeur embarqué reste allumé, cela indique que le chargeur charge la batterie.
11. Quand le voyant d'avertissement vert (47) est allumé, cela indique que le processus de charge de la batterie est terminé.
12. Quand le chargement est terminé, retirez le câble de connexion de l'extrémité du connecteur de charge de la batterie et de l'alimentation électrique puis remettez le couvercle en caoutchouc.
13. Débranchez le câble du chargeur de l'alimentation électrique, et enroulez le câble sur l'enrouleur (6).



REMARQUE

Pour de plus amples informations sur le chargeur embarqué (35), veuillez consulter le manuel correspondant.

NETTOYAGE DE LA RACLETTE



REMARQUE

Afin de conserver l'effet optimal de l'aspiration d'eau, la raclette doit être maintenue propre et la bavette de la raclette doit rester en bon état.



ATTENTION !

Lors du nettoyage de la raclette, il est recommandé de mettre des gants de protection car la raclette peut contenir des fragments coupants.

1. Placez la machine sur une surface plane et lisse.
2. Appuyez sur l'interrupteur d'alimentation (41) sur la position "O" pour éteindre la machine.
3. Dévissez les molettes (16) de la raclette, débranchez le flexible d'aspiration de la raclette puis retirez la raclette.
4. Utilisez la poignée de levage de la raclette (14) pour soulever le cadre de support de la raclette.
5. Nettoyez la raclette (**Figure 15**). Nettoyez en particulier la rainure (**A, Figure 15**) ainsi que les saletés et les fragments dans le tube d'aspiration. Vérifiez si la bavette avant (C) et la bavette arrière (D) de la raclette sont intactes et s'il n'y a pas de bords usés ou déchirés. Remplacez-les si nécessaire (voir les étapes dans la partie suivante).
6. Réinstallez la raclette dans l'ordre inverse de celui indiqué ci-dessus.

VÉRIFICATION ET REMPLACEMENT DES BAVETTES DE RACLETTE

1. Suivez les méthodes indiquées dans la section précédente pour nettoyer la raclette (**Figure 15**)
2. Vérifiez le bord (**E, Figure 15**) de la bavette avant de la raclette et le bord (**F**) de la bavette arrière (**D**) de la raclette. Sur toute la longueur, ils doivent au même niveau. Dans le cas contraire, réglez leurs hauteurs grâce à la procédure suivante.
 - Desserrez le clip (**G**) pour séparer la bavette arrière (**D**) de la raclette du support (**M**) afin de régler la position de la raclette. Après le réglage, verrouillez à nouveau le clip.
 - Desserrez la vis de la poignée (**I**) pour régler la bavette avant (**C**) de la raclette. Serrez la vis de la poignée après le réglage.
3. Vérifiez si la bavette avant (**C**) et la bavette arrière (**D**) de la raclette sont intactes et s'il n'y a pas de bords usés ou déchirés. Si nécessaire, remplacez-les selon les méthodes suivantes. Vérifiez si le bord avant de la bavette arrière de la raclette (**J**) est usé. S'il est usé, la raclette peut être installée à l'envers (le bord supérieur doit être intact). Si le bord supérieur est également usé, changez-la en suivant la procédure ci-dessous :
 - Desserrez le clip (**G**) pour séparer la bavette de pression du support (**M**), retirez la barre de fixation (**K**) puis remplacez ou retournez la bavette arrière (**D**) de la raclette. Réinstallez la bavette arrière de la raclette dans le sens inverse du retrait.
 - Desserrez la vis de la poignée (**I**) et retirez la barre de fixation avant (**L**) puis remplacez la raclette avant (**C**). Réinstallez la bavette avant de la raclette dans le sens inverse du retrait.
 Après avoir remplacé la lame de la raclette (ou l'avoir retournée), réglez le niveau des bavettes avant et arrière de la raclette comme décrit dans les procédures ci-dessus.
4. Raccordez le flexible d'aspiration (11) à la raclette.
5. Installez la raclette et utilisez les molettes (16) pour la serrer, puis raccordez le flexible d'aspiration à la raclette.
6. Si nécessaire, réglez la raclette à l'aide de la molette de réglage (20) (consultez les procédures de réglage d'inclinaison de la raclette).

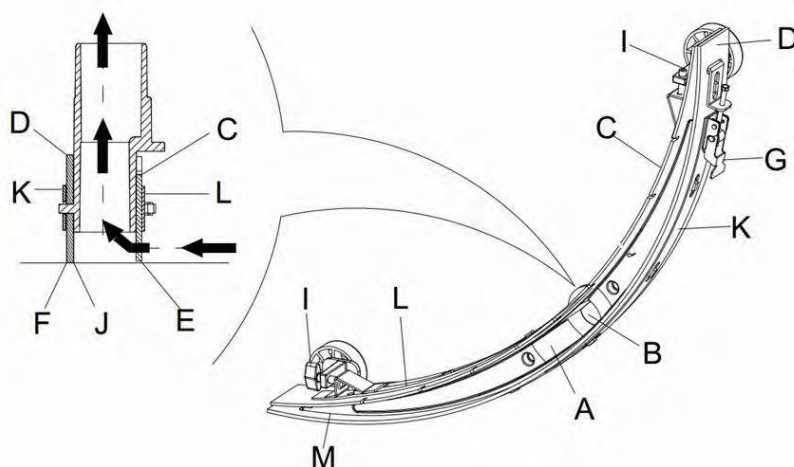


Figure 15

NETTOYER AVEC LA BROSSE/LE PLATEAU PORTE DISQUE



ATTENTION !

Lors du nettoyage de la brosse/du plateau porte disque, le port de gants de protection est recommandé car ces éléments peuvent contenir des fragments coupants.

1. De la manière indiquée dans les parties précédentes, retirez la brosse/le plateau porte disque.
2. Nettoyez la brosse/le plateau porte disque avec de l'eau et des détergents.
3. Vérifier l'état d'usure le plateau porte disque et, si nécessaire, remplacez le plateau porte disque.
4. Vérifiez l'état d'usure du support du patin et, si nécessaire, remplacez le support du patin.

NETTOYAGE DU RÉSERVOIR D'EAU ET DU FLOTTEUR

1. Déplacez la machine vers un lieu de vidange dédié.

2. Appuyez sur l'interrupteur d'alimentation (41) sur la position "O" pour éteindre la machine.
3. Ouvrez le couvercle du réservoir de récupération (A, **Figure 16**) et retirez le dispositif de flotteur (36) du réservoir de récupération.
4. Utilisez de l'eau propre pour nettoyer le couvercle du réservoir de récupération (A), le réservoir (B et C) et le cadre de support du filtre à flotteur (E). À l'aide du flexible de vidange (15), vidangez toute l'eau du réservoir d'eau sale.
5. Si nécessaire, en suivant les symboles "Ouvrir" et "Fermer" comme indiqué sur la **Figure 16**, ouvrez le couvercle du fond (F) du filtre à flotteur et nettoyez le flotteur (D), le cadre de support du filtre à flotteur (E) et le filtre éponge (I). Après le nettoyage, fixez le flotteur sur le cadre de support du filtre à flotteur (E) puis alignez la rainure de marquage (L) du couvercle du fond (F) du filtre à flotteur avec la rainure de marquage (L) du cadre de support du filtre à flotteur (E). Serrez le couvercle du fond (F) du filtre à flotteur en le tournant et fixez le filtre éponge (I) sur le cadre de support du filtre à flotteur (E) puis sur le tube d'aspiration (M).
6. Vérifiez la solidité de la bague d'étanchéité (G) du couvercle du réservoir d'eau.



REMARQUE

La bande d'étanchéité (G) du réservoir d'eau fait créer un vide au réservoir d'eau sale. Il doit être complètement scellé pour pouvoir aspirer efficacement les eaux usées du sol.

Si nécessaire, la bande d'étanchéité du réservoir d'eau (G) peut être retirée de la rainure (H) et remplacée. Lors de l'assemblage d'une nouvelle bande d'étanchéité sur le réservoir d'eau, sache comme indiqué sur la **Figure 16** ci-dessous, installez le raccord sur la section médiane de la partie arrière.

7. Vérifiez si la surface de réception de la bande d'étanchéité (G) est intacte et isole correctement.
8. Fermez le couvercle du réservoir de récupération (A).

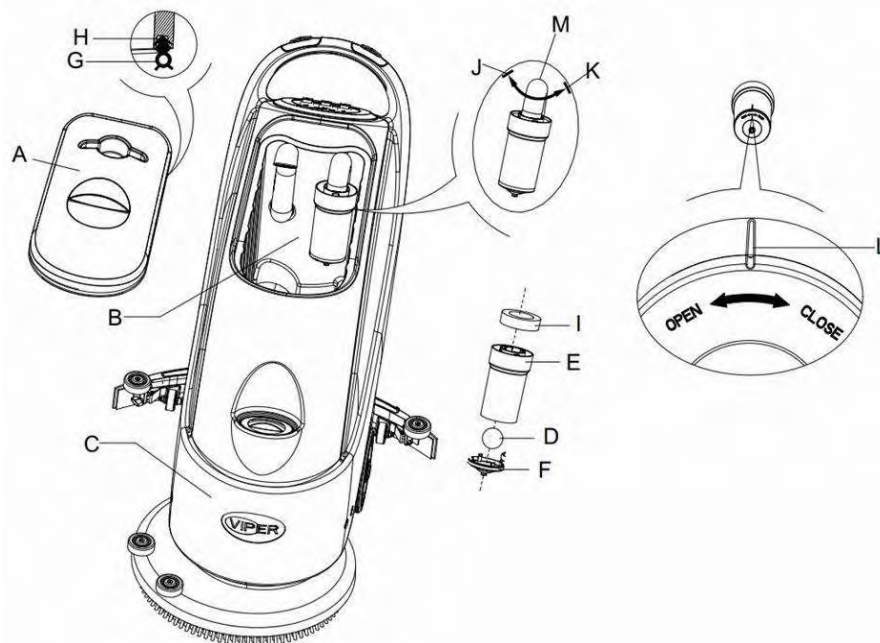


Figure 16

NETTOYER LE FILTRE DE SOLUTION

1. Vidangez toute l'eau du réservoir de solution comme indiqué dans les parties correspondantes.
2. Placez la machine sur un sol plat et lisse.
3. Appuyez sur l'interrupteur d'alimentation (41) sur la position "O" pour éteindre la machine.
4. Fermez le robinet d'arrivée d'eau (A, **Figure 17**) (située au bas de la machine, derrière les roues). Position B : robinet ouvert et position C : robinet fermé.
5. Retirez le couvercle transparent (D) puis retirez le filtre (E) et installez-les sur le boîtier du filtre (F) après le nettoyage.

**REMARQUE**

Le filtre (E) doit être installé avec précision sur la position de la projection (G).

6. Ouvrez le robinet (A).

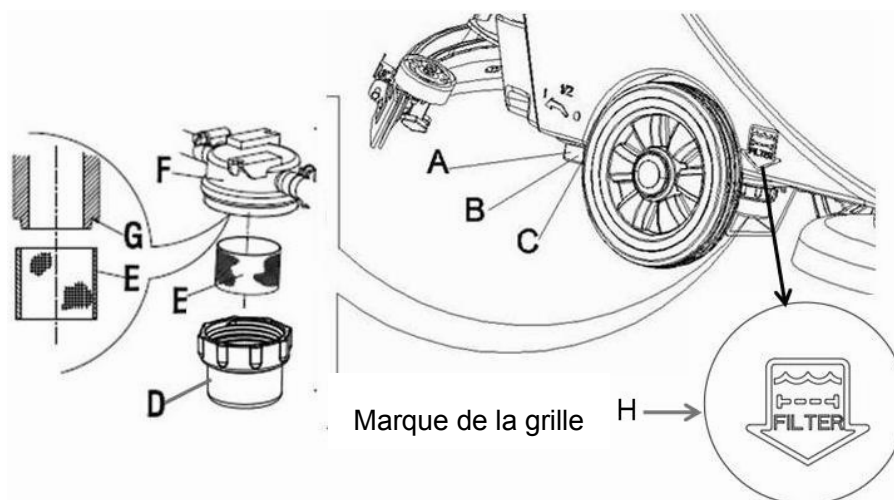
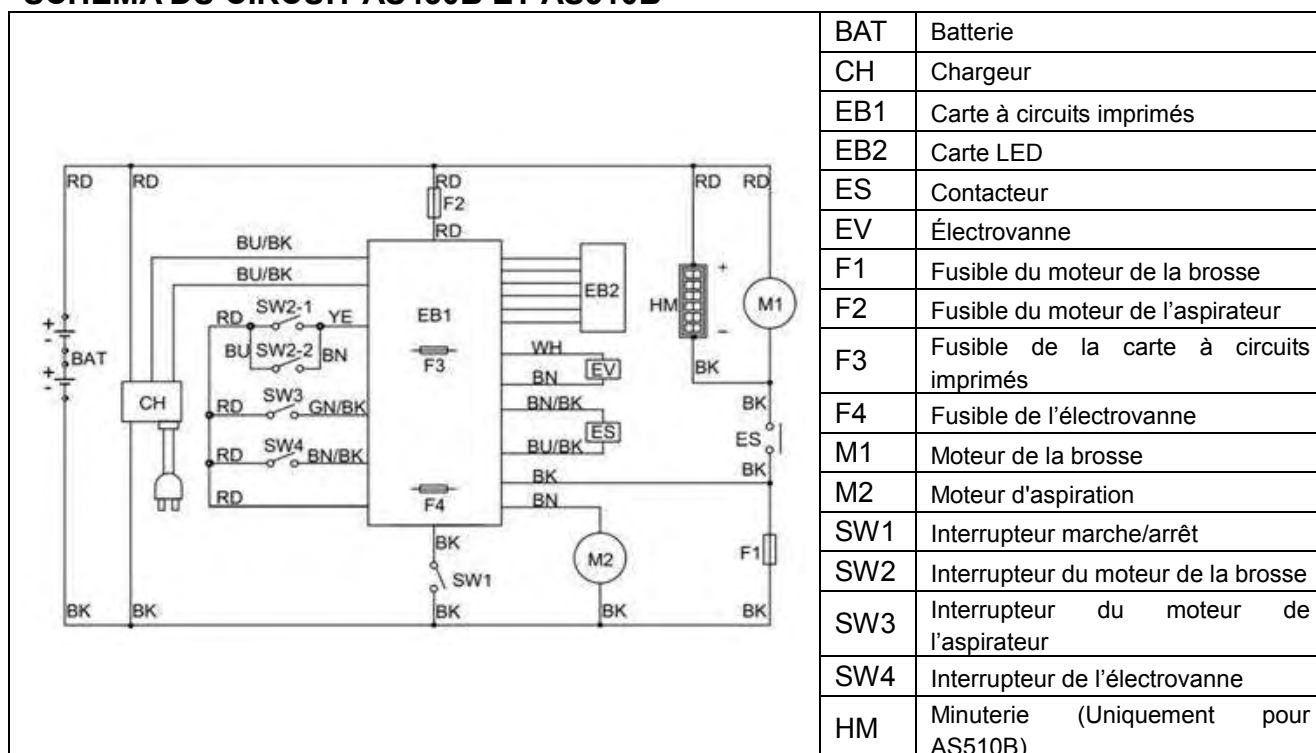


Figure 17

SCHÉMA DU CIRCUIT AS430B ET AS510B**CODES COULEUR**

RD=Rouge	BN=Marron	BU/BK=Bleu/Noir
BU=Bleu	YE=Jaune	GN/BK=Vert/Noir
BK=Noir	WH=Blanc	BN/BK=Marron/Noir

DÉPANNAGE

Panne	Causes possibles	Remèdes
La machine ne fonctionne pas : Indicateur lumineux éteint	Le connecteur de la batterie (9) n'est pas branché.	Branchez le connecteur de la batterie
	Batterie déjà déchargée	Chargez la batterie
Avertisseur lumineux (39 et 40) clignotant	Surcharge du moteur de la brosse	Changez pour une brosse souple afin de s'adapter au sol en cours de nettoyage
	D'autres éléments bloquent la rotation de la brosse	Nettoyez la brosse
La brosse ne fonctionne pas	Déclenchement du fusible de la brosse	Réinitialisation
	Glissement de la courroie	Vérifiez la courroie, réglez la tension de la poulie.
Le moteur d'aspiration ne fonctionne pas	Déclenchement du fusible de l'aspirateur	Réinitialisation
Aspiration insuffisante	Le réservoir d'eaux usées est plein.	Videz le réservoir d'eau
	Le tube d'aspiration pour les déchets et la raclette ne sont pas raccordés correctement	Raccordez le tube d'aspiration pour les déchets et la raclette
	Filtre à flotteur bouché ou admission bloquée	Nettoyez le filtre à flotteur, vérifiez le flotteur
	Raclette sale ou bavette de raclette usée et endommagée	Nettoyez et vérifiez la raclette
	Le couvercle du réservoir de récupération n'est pas positionné correctement ou la bande d'étanchéité du réservoir d'eau est endommagée	Remettez le couvercle correctement ou remplacez la bande d'étanchéité du réservoir d'eau
Approvisionnement de la brosse en eau pure insuffisant	Filtre sale.	Nettoyez le filtre
La raclette laisse des marques	Des débris tels que des fragments se trouvent sous la lame de la raclette	Retirez les fragments
	Bavette de la raclette déjà usée, fissurée, cassant.	Remplacez la bavette de la raclette
	Mauvaise inclinaison de la raclette pas réglée	Réglez l'inclinaison à l'aide de la molette(16)



REMARQUE

Si la machine est dotée de l'option chargeur embarqué et si le chargeur embarqué est défectueux, la machine ne peut pas fonctionner.

Si le chargeur embarqué est défectueux, veuillez contacter le centre de maintenance agréé.

Pour de plus amples informations, veuillez consulter le manuel d'entretien (disponible dans tous les centres de maintenance de VIPER)

MISE AU REBUT DE LA MACHINE

Utilisez une machine à broyer homologuée pour détruire cette machine.

Avant de détruire cette machine, veuillez retirer et séparer les éléments suivants qui, conformément aux lois et aux règlements applicables, doivent être correctement traités.

- Batterie
- Brosse/plateau porte disque
- Tuyaux en plastique et composants en plastique
- Composants électriques et électroniques (*)

(*): Veuillez contacter le Centre VIPER le plus proche (en particulier si la mise au rebut de composants électriques et électroniques est nécessaire).

INHOUDS OPGAVE

INTRODUCTIE 57

 INHOUD 57

 DOEL 57

 ONDERDELEN EN ONDERHOUD 57

 WIJZIGINGEN EN VERBETERINGEN 57

 TOEPASSINGSGEBIED 57

 UITPAKKEN / TRANSPORT 57

 ALGEMENE VEILIGHEID GIDSEN 58

 TECHNISCHE GEGEVENS 59

BESCHRIJVING VAN DE MACHINE 59

 MACHINE STRUCTUUR 59

 BEDIENINGS PANEEL 60

 WEERGAVE LADER INDICATIE LICHT 61

GIDS VOOR GEBRUIK 61

 INSTALLATIE EN INSTELLING VAN DE BATTERIJ VAN DE NIEUWE MACHINE 61

 BATTERIJ INSTALLEREN EN INSTELLING BATTERIJ TYPE (NAT OF GEL / AGM) 62

 VOOR DE MACHINE OPSTART 63

 INSTALLATIE EN LOSMAKEN VAN DE BORSTEL/PAD HOUDER 63

 Het INSTELLEN VAN DE ZUIGMOND BALANS 64

 VOLUME VAN WATER STROOM REGELING 64

 MACHINE STARTEN EN STOPPEN 65

 MACHINE OPERATIE (SCHROBBEN EN DROGEN) 65

 TANK LEEGMAKEN 66

 NA HET GEBRUIK VAN DE MACHINE 67

 STILSTANDPERIODES 67

 GEBRUIK VOOR DE EERSTE KEER 67

ONDERHOUD EN ZORG 67

 ONDERHOUDSSHEMA 68

 BATTERIJ OPLADEN 68

 ZUIGMOND REINIGING 69

 ZUIGMOND BLAD CONTROLEREN EN VERVANGING 69

 BORSTEL / POLIJST PAD REINIGING 70

 WATER TANK EN VLOTTER FILTER MESH REINIGING 70

 OPLOSSING FILTER REINIGING 71

 CIRCUIT FIGUUR VAN AS430B EN AS510B 72

PROBLEEMOPLOSSING 73

MACHINE VERWIJDEREN 73

INTRODUCTIE



OPMERKING

De getallen tussen haakjes verwijzen naar de gerelateerde componenten weergegeven in de alinea Machine Beschrijving.

INHOUD

Deze handleiding is om de gebruiker te voorzien van de nodige informatie om deze machine goed en veilig te gebruiken. De informatie omvat de technische gegevens, veiligheid, gebruik, opslag, onderhoud en verwijdering van de machine. De gebruiker en technici met bijbehorende kwalificaties moet deze handleiding zorgvuldig bestuderen alvorens met het gebruik en het onderhoud van deze machine aan de slag te gaan. Neem contact op met ur VIPER Dealer voor vragen over deze handleiding of wanneer verdere aanverwante informatie nodig is.

DOEL

De bedoeling van deze handleiding is om de gebruiker en gekwalificeerde technici in staat te stellen het onderhoud van deze machine uit te kunnen voeren. De gebruiker moet dehandelingen die alleen moet worden uitgevoerd door technici niet uitvoeren. VIPER is niet verantwoordelijk voor eventuele schade veroorzaakt door de overtreding van deze regel.

ONDERDELEN EN ONDERHOUD

Alle noodzakelijke bediening, onderhoud en reparatie procedures moeten worden uitgevoerd door gekwalificeerd personeel of door de servicecentra van VIPER.

Alleen erkende onderdelen en accessoires moeten worden gebruikt.

Als service, het bestellen van onderdelen of accessoires nodig zijn, neem dan contact op met uw VIPER Dealer met het modelnummer van de machine en serienummers.

WIJZIGINGEN EN VERBETERINGEN

VIPER maakt voortdurende verbeteringen op haar producten. VIPER heeft het recht op het veranderen en het verbeteren van de machines en het recht op zichzelf te beslissen of de voordelen teweeg brengen door veranderingen die gelden voor reeds verkochte producten.

Alle wijzigingen of extra accessoires moeten door VIPER worden overeengekomen en moet door het bedrijf worden uitgevoerd.

TOEPASSINGSGEBIED

Deze schrobzuig machine wordt gebruikt in een huishoudelijke en industriële omgeving, en is geschikt voor de reiniging van gladde en harde vloeren (schrobben en afvalwater). Het moet door gekwalificeerd personeel, en in een veilige omgeving gebruikt worden. Deze schrobzuigmachine kan niet worden gebruikt voor het reinigen buitenshuis, op tapijten, en relatieve grove vloeren.

UITPAKKEN / TRANSPORT

Volg de instructies op de verpakking aandachtig bij het uitpakken.

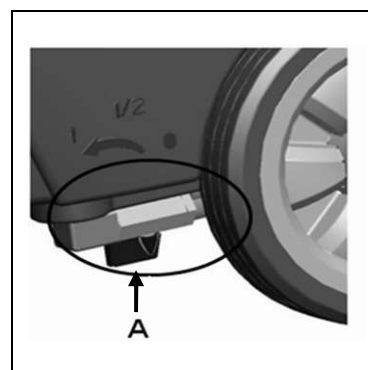
Bij levering, controleer de verpakking en de machine of er geen schade is aangericht tijdens transport.

Als er zichtbare schade is, behoud de oorspronkelijke vorm, en vraag de vervoerder om te bevestigen en door het invullen van een lijst voor de schade vergoeding.



—LET OP

Bij het uitpakken en lossen, of tijdens het bewegen van de machine over de grond, zorg ervoor dat u de aan / uit schakelaar van waterstroom regelaar niet aanraakt, deel A in het figuur rechts.



Controleer of de machine is uitgerust met de volgende items:

1. Technische documenten
 - Gebruikershandleiding
 - Laderhandleiding (indien aanwezig)
2. connector voor de lader (indien niet uitgerust met ingebouwde lader, is het op de opgegeven externe lader)

ALGEMENE VEILIGHEID GIDSEN

Hieronder een paar bijzondere waarschuwingen en mededelingen over mogelijke schade (personeel en machine):

**WAARSCHUWING!**

- Machine mag alleen onder begeleiding van deze handleiding worden gebruikt. Alleen accessoires goedgekeurd door VIPER moeten worden gebruikt.
- Deze machine mag alleen worden gebruikt door daartoe opgeleide en bevoegde personen. Kinderen of ongeschikte personen mogen dit apparaat niet gebruiken.
- Bij normaal gebruik kan de batterij ontvlambaar gas uitstoten. De batterij moet uit de buurt van uitstralen, verhelderend, en brandende voorwerpen evenals vonken worden gehouden. Wanneer het apparaat wordt gebruikt, zorg er dan voor dat de omgeving goed geventileerd is en weg van open vuur. Tijdens het opladen, niet roken in de buurt van de machine.
- Koppel de batterij los alvorens onderhoud / reparatie werkzaamheden te uitvoeren.
- Voor het gebruik van de ingebouwde lader, zorg er dan voor dat de waarden van spanning en frequentie zoals aangegeven op het serienummer sticker overeenkomen met die van het stopcontact.
- Bij het werken in de buurt van elektrische onderdelen, gelieve geen sieraden te dragen. Gelieve alle voorzorgsmaatregelen te treffen om het haar, sieraden, en loszittende kleding die kunnen worden opgevangen door bewegende delen van de machine te voorkomen.
- Gebruik dit apparaat niet in extreem bevulde plaatsen. De machine niet direct te wassen met water. Laat de machine niet in aanraking komen met bijtende vloeistoffen.
- De temperatuur voor de opslag en voor de werkomgeving van de machine moet liggen tussen 0-40^o C.
- De luchtvochtigheid moet liggen tussen 30% - 105%.
- Gelieve de machine niet te gebruiken op een helling met een hellingshoek van meer dan 2%.
- In geval van brand, gebruik dan droge poeder brandblussers. Gebruik geen brandblussers met vloeibaar blusmiddel
- In het bijzonder moet aandacht worden besteed aan de machine als deze onder de 0^oC wordt vervoerd. Het waterreservoir en het water in de slangen kan bevriezen en leiden tot ernstige schade aan de machine.
- Gebruik originele borstels en pads, welke in de gebruikershandleiding zijn opgenomen. Het gebruik van andere borstels of pads kunnen de veiligheid verminderen.
- In geval van een defect aan het apparaat, moet u ervoor zorgen dat het niet wordt veroorzaakt door een gebrek aan onderhoud. Als het wordt veroorzaakt door andere omstandigheden, dan kunt u de hulp invoeren van bevoegd personeel of het Viper service center.
- Als wordt bevestigd dat de onderdelen moeten worden vervangen, neem dan de authentieke onderdelen van geautoriseerde Viper dealers. Kijk ook op de website van Viper voor een Dealer bij u in de buurt!
- Om een veilige en correcte werking van de machine te garanderen, laat het bevoegd personeel of het Viper service center de geplande onderhoud uitvoeren volgens het onderhoudsschema in de gerelateerde secties van de handleiding.
- Deze machine moet goed worden afgevoerd omdat er giftige en gevaarlijke stoffen (accu, enz.) kunnen beschadigen. Deze stoffen moeten door speciale centra in overeenstemming met de relevante wet-en regelgeving worden afgevoerd (zie paragraaf machine verwijdering).

TECHNISCHE GEGEVENS

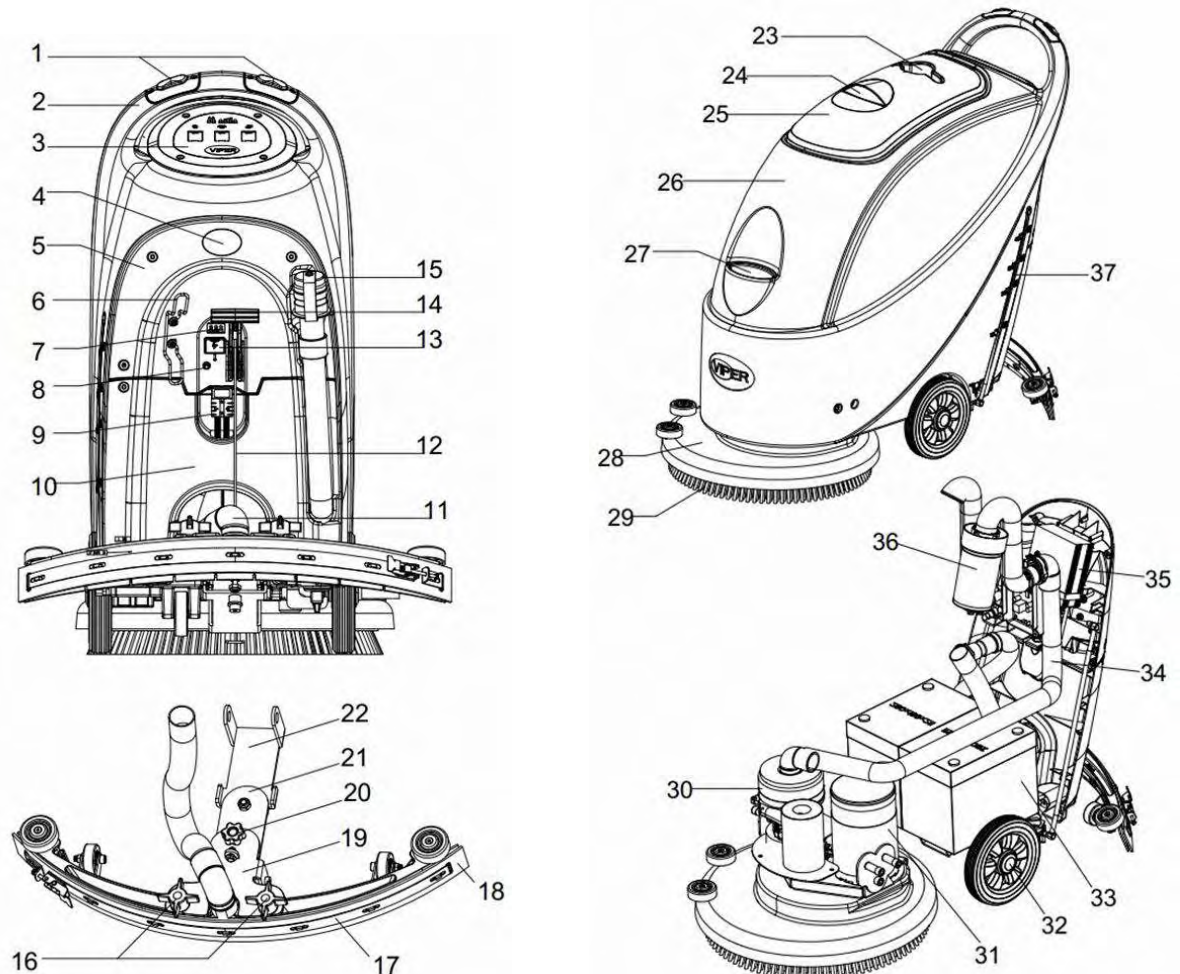
Model	AS430B	AS510B
Machine Hoogte	980mm	
Oplossing tankinhoud	40 litre	
Vuilwater tankinhoud	40 litre	
Diameter van het wiel	200mm	
Diameter van leiwiel	76mm	
Kracht van vacuümsysteem	350w	
Maximale helling bij het werken	2%(Max)	
Geluidsdruk niveau op de werkplek	70dB(A) ±3dB(A)	
Standaard batterijen	(2×12V) 24V 85Ah AGM	(2×12V) 24V 105Ah AGM
Batterijcompartiment afmeting(B x L x H)	340 x 330 x 260mm(Max)	
Vacuümsysteem circuitcapaciteit	1200 mm H ₂ O	
Reinigingsbreedte	430mm	510mm
Zuigmondbreedte	730mm	790mm
Machine maximale lengte	1060mm	1100mm
Machinebreedte zonder zuigmond	480mm	540mm
Borsteldiameter	430mm	510mm
Gewicht met batterijen en met lege tanks	112kg	128kg
Brutogewicht van de machine klaar voor gebruik	152kg	168kg
Borstel motorvermogen	550W	560W
Borstelsnelheid	150rpm	
Borstel/ pad houder Maximale druk	30kg (Max)	35kg(Max)
Verpakking Grootte (L x B x H)	1200 x 610 x 1170mm	

BESCHRIJVING VAN DE MACHINE**MACHINE STRUCTUUR**

- | | |
|---|---|
| 1. Veiligheidsschakelaar knop | 20. Zuigmond aanpassen handwiel |
| 2. Stuur | 21. Zuigmond achterste frame |
| 3. Bedieningspaneel | 22. Zuigmond voorste frame |
| 4. Serienummer plaat / Technische gegevens / Conformiteit certificering | 23. Bekerhouder |
| 5. Controle deksel | 24. Deksel van de vuilwatertank handvat |
| 6. Kabelhouder (*) | 25. Tankdeksel herstel |
| 7. Batterij opladen indicatielampje | 26. Tanklichaam |
| 8. Terugstelschakelaar | 27. Waterinlaat deksel |
| 9. Batterij connector | 28. Schrobdek |
| 10. Batterijdeksel | 29. Borstel / pad-houder |
| 11. Vacuümbuis voor afval | 30. Zuigmotor |
| 12. Zuigmond trek koord | 31. Borstelmotor |
| 13. Batterij connector beschermkap | 32. 8 " wiel |
| 14. Zuigmond optilhandgreep | 33. Batterij |
| 15. Afvoerslang | 34. Vacuümbuis |
| 16. Zuigmond vaste knop | 35. Lader (*) |
| 17. Zuigmond clip | 36. Float filter |
| 18. Zuigmond rubber | 37. Waterniveau buis (naar hoeveelheid water in oplossing tank) |
| 19. Zuigmond steun kader | |

(*) Alleen van toepassing op machines die al geïnstalleerd zijn met de ingebouwde lader (optioneel)

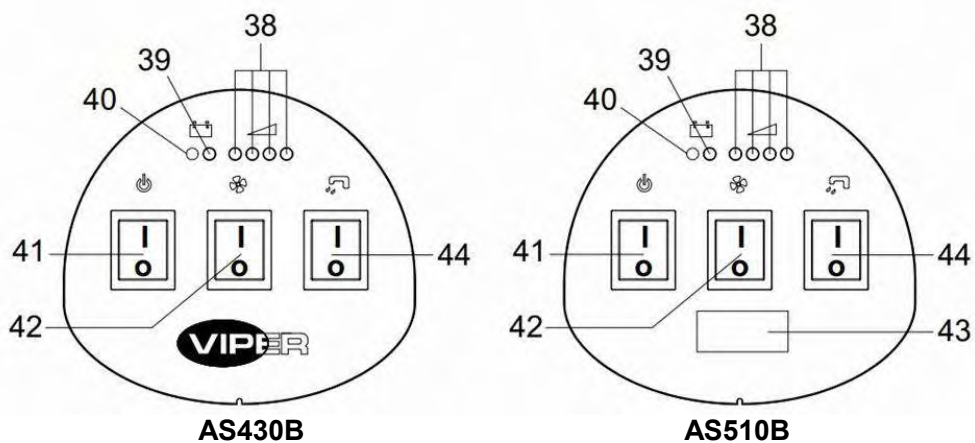
FIGUREN VAN DE MACHINE STRUCTUUR



Figuur 1

BEDIENINGS PANEEL (Figuur 2)

- 38. Batterijlading indicatie lampje (groen bij verzadiging)
- 39. Batterij leeg indicatie lampje (rood)
- 40. Batterij leeg indicatie lampje (rood)
- 41. Stroomschakelaar
- 42. Vacuümschakelaar
- 43. Timer (optioneel, gebruikt om de arbeidstijd van borstel op te nemen)
- 44. Magneetventiel schakelaar voor water sproeien controle

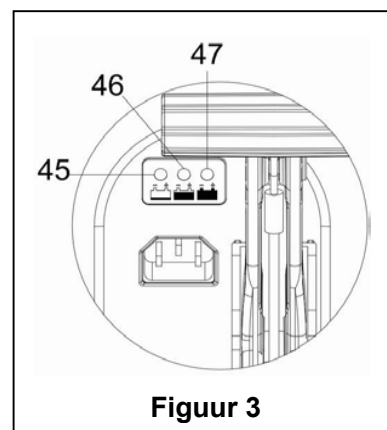


Figuur 2

WEERGAVE LADER INDICATIE LICHT (figuur 3)

(Optioneel, van toepassing op modellen met ingebouwde lader)

1. Als het opladen start, zal de rode indicatie lampje van de lader (45) een paar keer knipperen. Hierna zal er een permanent rood indicatie licht branden voor het ingaan van de eerste fase van het laden;
2. Na het opladen zal een rood indicatie lampje van de lader (45) uitgaan. Een geel indicatie lampje (46) zal permanent aangaan: het ingaan van de tweede fase van het laden;
3. Na het opladen van ongeveer 10 uur, zal het geelgekleurde indicatie lampje (46) uitgaan. (47) Een groen indicatielampje zal permanent aangaan, wat aangeeft dat het opladen volledig is, en het opladen is beëindigd.



OPMERKING

- b) Als het gele indicatie lampje knippert tijdens het opladen kan dat meerdere oorzaken hebben. *De batterij is niet van het juiste type dat compatibel is met de oplader. *De batterij is niet goed aangesloten. *Er heeft zich een kortsluiting plaatsgevonden in de uitgang.
- c) Als het rode indicatie lampje knippert: een kortsluiting in de lader. (Voor meer informatie, verwijzen wij u naar de betreffende secties in de lader instructie.)

GIDS VOOR GEBRUIK



WAARSCHUWING

Op bepaalde delen van de machine indicatieve tekenen geplakt:

- GEVAAR
- WAARSCHUWING
- LET OP
- CONSULTATIE

Bij het lezen van deze handleiding, moet de exploitant bijzondere aandacht besteden aan de symbolen.

In geen geval mogen deze tekens worden afgedekt. Als ze beschadigd zijn, onmiddellijk te vervangen.

INSTALLATIE EN INSTELLING VAN DE BATTERIJ VAN DE NIEUWE MACHINE



WAARSCHUWING

Als de batterij verkeerd is geïnstalleerd of onjuist is aangesloten, kunnen de elektrische onderdelen van de machine ernstig beschadigd worden. De batterij kan alleen worden geïnstalleerd door gekwalificeerd personeel. Volgens de batterij modelnummer (NAT of GEL) wordt gebruikt, stel de functionele printplaat en ingebouwde lader (optioneel) in.

Controleer of de batterij is beschadigd voor het installeren.

Ontkoppel de batterij connector en de ingebouwde lader stekker.

Wees voorzichtig bij het aanraken van de batterij.

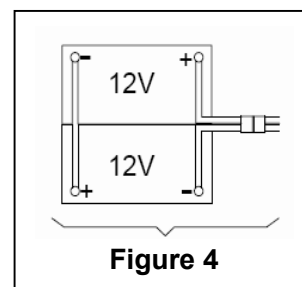
Deze machine heeft twee (2) 12V accu. Gelieve aan te sluiten zoals weergegeven; in **Figure 4** aan de rechterkant.

Deze machine kan op een van de volgende modellen leveren:

a) Batterijen (NAT of GEL / AGM) zijn al geïnstalleerd en kunnen op elk gewenst moment gebruikt worden.

1. Controleer de batterij. Via de connector (9) sluit de batterij aan de machine.
2. (Alleen van toepassing op AS430B en AS510B): Druk op de aan / uit schakelaar (41). Als het groene lampje brandt, het laat zien dat de batterij is klaar voor gebruik. Als het oranje of rode lampje brandt, geeft aan dat de accu moet worden opgeladen. (Zie de paragraaf over het onderhoud voor de bijbehorende procedures).

b) Zonder batterijen



1. Aankoop gelijkaardige batterij (zie de paragraaf over technische parameters). Informatie over de selectie van de batterij kunnen worden verkregen door gekwalificeerde batterij agenten.
2. Stel de machine en de ingebouwde lader (indien aanwezig) in volgens de type batterijen (NAT of GEL / AGM). Lees de volgende paragraaf ook hoe de batterij te installeren.

BATTERIJ INSTALLEREN EN INSTELLING BATTERIJ TYPE (NAT OF GEL / AGM)

Volgens het batterij type (NAT of GEL / AGM) zet de printplaat op de ingebouwde lader. De procedures zijn als volgt:

1. Zorg ervoor dat de stekker van de batterij is losgekoppeld. Als de machine is gebaseerd op "AGM" accu op het moment van af-fabriek, ga direct naar stap 8; anders, completeer Stappen 2, 3, en 4.
2. Verwijder afvoerslang (15)
3. Indien uitgerust met ingebouwde lader, verwijder de lading draad van de haspel.
4. Verwijder de controle deksel (5) en de schroeven van de batterijklep (10). Verwijder de schroeven op de printplaat stand. De DIP schakelaar (B) voor het instellen van het batterij model kan worden gezien bij het over flippen van de printplaat. (Zie **Figure 5**)
5. Stel de micro DIP schakelaar (B) in op de "NAT" positie,
6. Voer stap 3, 4 en 5 in in de omgekeerde volgorde.

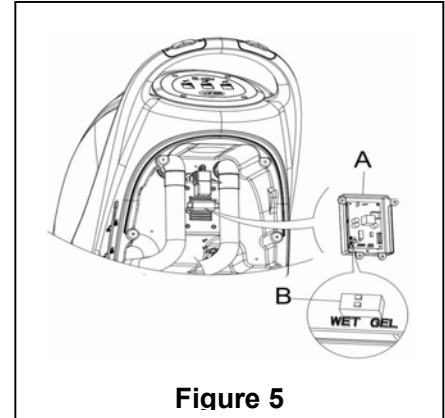


Figure 5

Batterijen Installeren

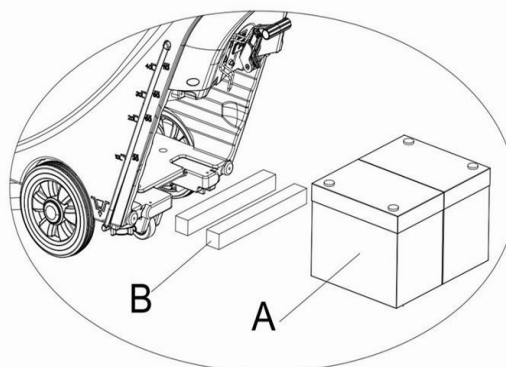
7. Ontkoppel de batterij connector (9).
8. Open de deksel van de vuilwatertank (25) en controleer of de vuilwatertank leeg is of niet, zo niet, maak het leeg via de afvoerslang (15).
9. Draai de schroef van de zuigmond vaste knop (16) los, verwijder de aansluiting van de vacuüm buis voor afval (11) naar de zuigmond, en verwijder dan de zuigmond.
10. Draai de schroeven van de batterijklep (10) los en verwijder de deksel.
11. Draai de schroef van de connector van de zuigmond trek koord (12) los dat is aangesloten op de zuigmond beugel (19), en hang de zuigmond trek koord naar boven..
12. Hang de afvoerslang (15) en de zuigbuis voor afval (11) naar boven.
13. Afhankelijk van de grootte van de batterij, duw de fixatie kaart in de batterijbak helemaal naar binnen.



OPMERKING

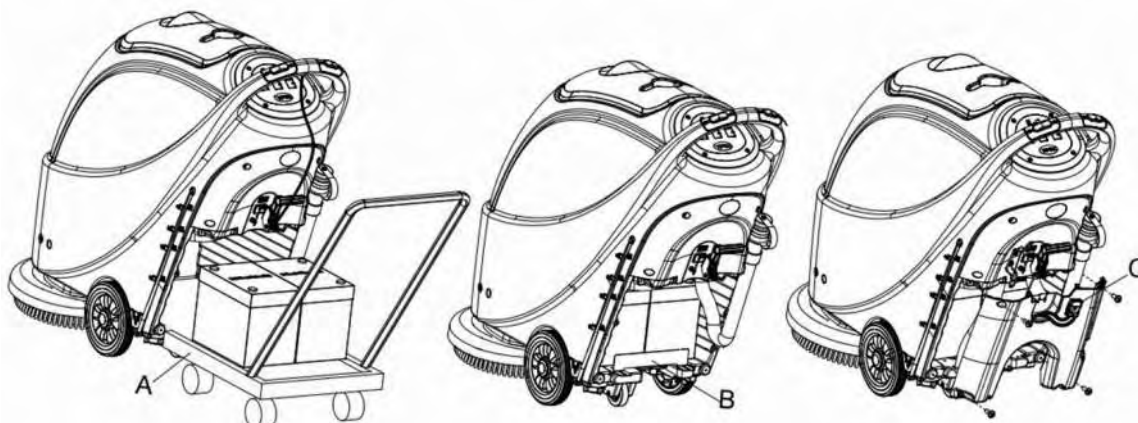
De afmeting van de batterij mag niet groter zijn dan: H x B x H: 330mm x 170mm x 260mm. Volgens de afmetingen van de batterijen, de eisen voor de selectie van vaste batterijen zijn als volgt:

- 1) Voor batterijen met lengte kleiner dan 270mm, gebruik 2 stukken van de fixatie kaart (**B**, **Figuur 6**) en leg ze naast elkaar in de watertank batterij;
- 2) Voor batterijen met een lengte tussen 310mm-270mm, gebruik 1 stuk van de fixatie kaart (**B**, **Figuur 6**) en plaats deze in de watertank batterij;
- 3) Voor batterijen met een lengte tussen 330mm-310mm, is er geen noodzaak voor de fixatie kaart om de positie te fixeren.



Figuur 6

14. Installeer de batterij met speciaal gemaakte batterij installatie gereedschappen (**A, Figuur 7**). Nadat de batterij is geïnstalleerd, verwijdert u de batterij installatie gereedschap, en installeer de batterij bevestigingsbeugel (**B, Figuur 7**).



Figuur 7

15. Zet de batterij connector (**C, Figuur 7**) door het gat aan de bovenkant van de batterij deksel, zet de afvoerslang door de juiste opening van de deksel van de batterij, zet de batterij deksel met 4 schroeven, en installeer vervolgens de zuigmond trek koord, afvoerslang, en de zuigmond achtereenvolgens.

Het opladen van de batterij

16. Om de batterij op te laden (zie de stappen vermeld in de onderhoud sectie).

VOOR DE MACHINE OPSTART

INSTALLATIE EN LOSMAKEN VAN DE BORSTEL/PAD HOUDER



OPMERKING

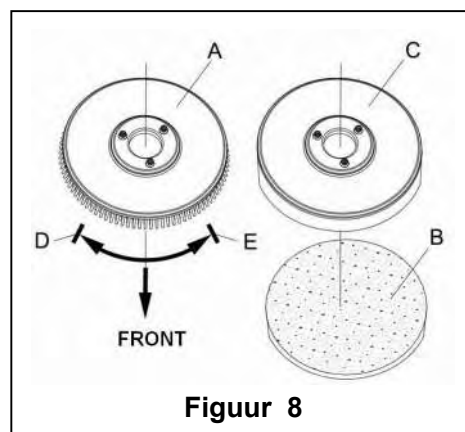
Volgens de te reinigen vloer type, kan de machine worden geïnstalleerd met een borstel (Figure8, A), of een pad-houder (fig. 8, B en C).



LET OP!

Wanneer u handmatig de borstel / pad houder installeert of los maakt, eerst controleren of alle schakelaars in de Uit positie is en til de zuigmond van de vloer, pas hierna kan de borstel of pad houder worden bewerkt. Bovendien, zorg er dan ook voor beschermende handschoenen om gesneden te worden door fragmenten te voorkomen.

1. (Alleen van toepassing op **AS430B** en **AS510B**): zorg ervoor dat de schakelaar (41) bijontkoppeld (**O**) staat.
2. Druk het stuur (2) omlaag om tank frame (26) op te tillen.
3. Zet de borstel (A) of de pad-houder (B - C) onder de deksel.
4. Gebruik het stuur (2) om tank frame(26) omlaag te zetten om in aanraking te komen met de borstel of pad-houder.
5. Om de borstel / padhouder automatisch te installeren, zet de schakelaar (41) naar de "I" positie en druk de veiligheidsschakelaar in (1). Duw de machine naar voren, om het mogelijk te maken dat de wiel op de bodem van de tankaf te laten stemmen met de borstel of padhouder. Laat vervolgens de schakelaar gekoppeld. Herhaal indien nodig deze procedure tot de borstel / padhouder is geïnstalleerd.
6. Als stap 5 hierboven moeilijk is, gebruik de handmatige werkwijze volgens de pijlpunt (D) om de borstel / padhouder (zie **Figuur 8**) te installeren.

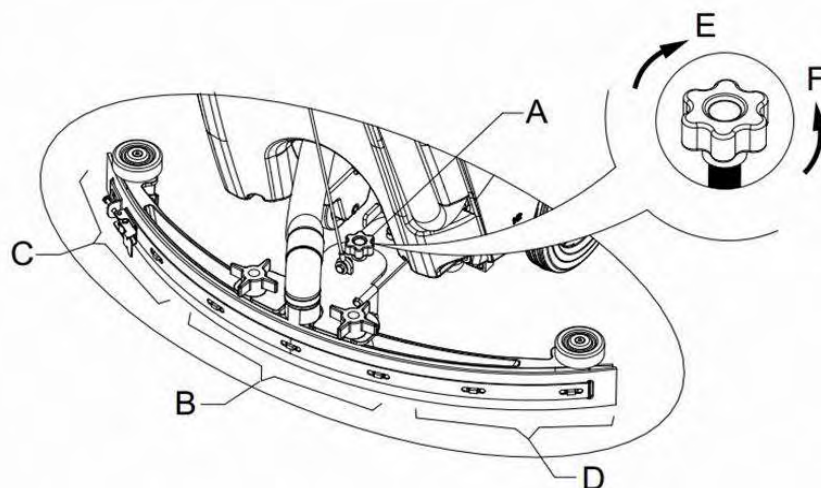


Figuur 8

7. Om de borstel / padhouder automatisch los te maken, zet de schakelaar (41) naar de "O" positie. Gebruik uw hand om het stuur in positie te houden en druk de machine omlaag totdat de gids wiel de grond raakt. Zet de hoofdschakelaar (41) op de "I" positie, en druk de veiligheidsschakelaar in. De borstel of padhouder draaien totdat de borstel / padhouder naar de vloerzakt.
8. Als Stap nummer 7 hierboven moeilijkis, gebruik dan de handmatige methode door de borstel / padhouder te draaien in de tegenovergestelderichting. (Zie **Figuur 8**)

Het instellen van de zuigmond balans

9. Installeer de zuigmond en zet hem vast met het handvat. Sluit vervolgens de zuigbuis voor afval naar de zuigmond.
10. Stel de zuigmond door de instelknop (A) van de zuigmond (zie **Figuur 9**).
 - 1) Het middelste gedeelte van de zuigstrip, sectie B, heeft een kloof met de vloer of de neerwaartse druk en is relatief licht. Stel de hendel tegen de klok in, totdat de hele lengte van de achterwisser goed met de vloer raakt. De voorste wisser moet licht tegen de vloer aankomen.
 - 2) De twee uiteinden van de zuigstrip, secties C en D, hebben een kloof met de vloer of de neerwaartse druk en is relatief licht. Stel de hendel met de klok mee totdat de gehele lengte van de achterwisser goed tegen de vloer aankomt. De voorste wisser moet licht tegen de vloer aandrukken.



Figuur 9

Reinigingsmiddelen tank vullen



LET OP!

Alleen lage schuim, niet brandbare middelen kunnen worden gebruikt. Deze middelen moeten geschikt zijn voor het gebruik van schrobzuig machines.

11. Open de waterinlaat deksel (27) en voeg water toe in de reinigingsmiddelentank. De tank niet te vol vullen. Vullen tot de rand van de filterhouder van de watertoevoer is voldoende. Bij de voorbereiding van het schoonmaken van het reinigingsmiddel, volg dan de voorschriften door de geleverde fabrikant. De watertemperatuur mag niet meer dan 40 °C zijn.

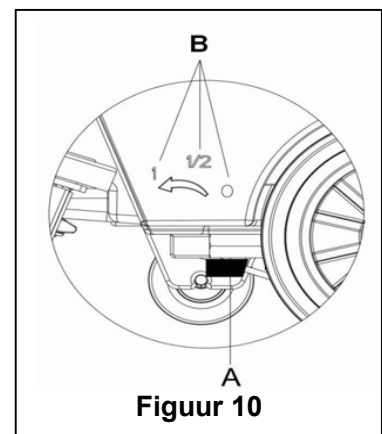
VOLUME VAN WATER STROOM REGELING



WAARSCHUWING !

Het reguleren van de kogelkraan hendel (A, Figuur 10) moet onder de voorwaarde worden gedaan wanneer de hoofdschakelaar (41) in de "O" positie is.

12. Het volume van de waterstroom kan worden aangepast door de kogelkraan hendel (A, Figuur 10) volgens de hoeveelheid water dat praktisch vereist is voor het schrobben van de vloer.



Figuur 10

MACHINE STARTEN EN STOPPEN

Het starten van de machine

1. Volg de voorbereidende stappen gerelateerd zoals hierboven
2. Zet de schakelaar (41) naar de "I" positie.
3. Gebruik de hendel (41) om de zuigmond te verlagen.
4. Zet de vacuümpomp schakelaar (42) naar de "I" positie.
5. Zet de waterstroom volume schakelaar (44) naar de "I" positie. (Gelijktijdig werken met de veiligheids schakelaar (1) om het werk van magneetventiel te controleren.)
6. Houdt de veiligheidsschakelaar in (1) en duw om de machine te verplaatsen. De borstel (29) begint te draaien en de machine begint met het schoonmaak werk.



CONSULTATIE:

Een van de kenmerken van de machine is de installatie van twee veiligheidsschakelaars aan beide zijden van het stuur.

Elke veiligheids schakelaar kan onafhankelijk bestuurd worden van de werking van de borstel. Bij gebruik vergemakkelijkt de controle van de werking van de machine.

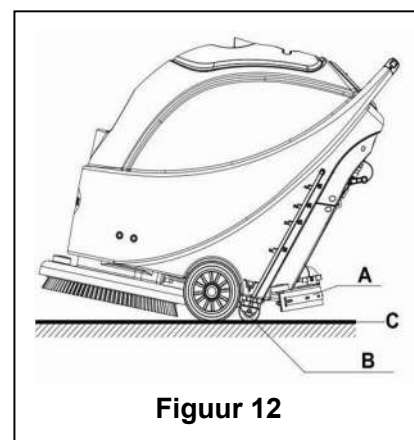
Door ervaring, de methode op het getoonde **Figuur 11** rechts, voelen de gebruikers zich meer comfortabel waar door het werk vermoeiend is.



Figuur 11

Het stoppen van de machine

7. Wanneer u klaar bent met het apparaat, eerst de borstel / pad-houder losmaken (zie de stappen verbonden in de paragraaf over borstel / pad-houder installatie en lossen)
8. Laat de veiligheids schakelaar (1) de borstel / pad-houder en magneetventiel los om uit te schakelen.
9. Zet de vacuümpomp schakelaar (42) naar de "O" positie, en de vacuümpomp zal vertragen gedurende 5 seconden voordat het stopt met werken.
10. Zet de waterstroom volume schakelaar (44) naar de "O" positie om het werk van de elektromagnetische klep volledig uit te schakelen.
11. Zet de schakelaar (41) naar de "O" positie.
12. Gebruik de zuigmond optilhandgreep (14) om de zuigmond op te tillen.
13. Pak het stuur (2) en kantel de machine naar achteren totdat de gids wiel (B) de grond raakt. Zie **Figuur 12**.



Figuur 12

MACHINE OPERATIE (SCHROBBEN EN DROGEN)

1. Start de machine volgens de bovenstaande beschrijving.
2. Houd de veiligheids schakelaar (1) (volgens de manier weergegeven in **Figuur 11**), druk om de machine te verplaatsen, en start de schoonmaakklus.
3. Indien nodig, het apparaat uitschakelen, en pas de regulering greep van de zuig mond. (Raadpleeg de stappen voor het aanpassen van de zuigmond balans)
4. Indien nodig, het apparaat uitschakelen en het volume van de waterstroom aan passen met de bal klephendel. (Raadpleeg de stappen van het aanpassen van het volume van de waterstroming.)



LET OP!

Om schade aan de vloer te voorkomen de machine uitschakelen indien deze op een plek blijft stilstaan (41).

Ontlading van de batterij tijdens het gebruik

5. Pas wanneer het groen lampje (38) continu brandt dan is de voeding van de batterij voldoende voor de normale werking van de machine.



OPMERKING

Wanneer alle vier groene lampjes (38) zijn ingeschakelt, geeft de batterij aan dat deze volledig is opgeladen.

Wanneer alleen het laatstegroene lampje (38) brandt en begint te knip peren dan de batterij opnieuw opladen.

Nadat het laatstegroene lampje (38) uit gaat en het rode lampje (39 en 40) begint te knipperen, zal de machine automatisch enkele seconden stoppen. (Raadpleeg de stappenverbonden in het hoofdstuk Onderhoud).



LET OP!

Gebruik de machine niet wanneer de voeding van de batterij onvoldoende is, om zo schade aan de accu en de levensduur van de batterij te verkorten voorkomen.

TANK LEEGMAKEN

Wanneer vuilwatertank vol is, zal een vlotter in de automatische vlotter turn-off-apparaat (36) de inlaat verbinden met de vacuümpomp te blokkeren. Door een plotselinge toename van het lawaai van de vacuümpomp kan worden aangenomen dat de vacuümpomp al overbelast en onmiddellijk afvoeren van het afval water vereist



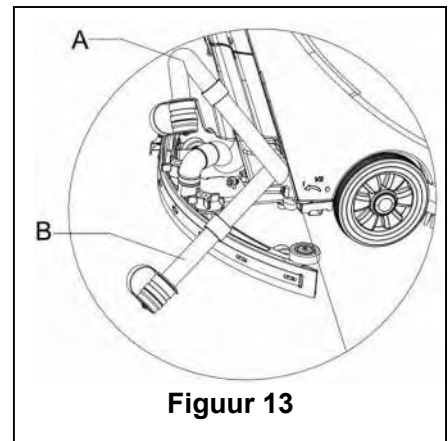
LET OP!

Als de vacuümpomp plotseling wordt uitgeschakeld (bijvoorbeeld omdat de machine plotseling is verplaatst), en als een hervatting van de operatie nodig is, neem dan de volgende stappen: Druk op de schakelaar (41 en 42), zet de stroom en de vacuümpomp aan en open het deksel van de vuilwatertank (25) om te controleren of de vlotter in de vlotter filter is teruggekeerd naar het wateroppervlak. Sluit het deksel van de vuilwatertank (25), en druk op de schakelaar (41 en 42) om het apparaat en de vacuümpomp aan te zetten.

Wanneer de vuilwatertank volledig is gevuld met afvalwater, volgt u de volgende stappen uit om het allemaal af te voeren.

Vuilwater tank leegmaken

1. De machine uitschakelen.
2. Met de handgreep (14) de zuigmond optillen.
3. Verplaats de machine naar een speciale stortplaats.
4. Pak het stuur (2) en laat de machine voorzichtig naar achteren hellen totdat de gids wiel de grond raakt. (Voor het couperen van de machine wordt verwezen naar de procedures in het stoppen van de machine sectie.)
5. Verwijder de afvoerslang uit de fixatie klem, buig het bovenste einde van de afvoerslang (zoals in **A, Figuur 13**), en open vervolgens het deksel van de afvoerslang. Verlaag de afvoerslang naar een laag niveau of op de grond voor het afvoer water. Als alternatief, plaats afvoerslang rechtstreeks naar een lage positie of op de grond om de waterafvoer gezicht naar beneden te maken (zoals getoond in **B, Figuur 13**), en draai vervolgens de water afvoer deksel van de afvoer van het afvalwater in de tank. Na het aftappen is voltooid, gebruik u zuiver water aan de binnenkant van de vuilwatertank om het te reinigen.



Figuur 13



LET OP!

Bij het aftappen van het afvalwater, moet de vacuümbuis voor afval worden gevouwen of verlaagd naar een lagere stand (zoals weergegeven in Figuur 13 A of B), en open vervolgens het deksel van de vacuümbuis voor afval om het water af te voeren. Laat de uitlaat van de vacuümbuis voor afval niet omhoog om het water verticaal af te voeren. Dit is om afvalwater dat wordt gemorst op de exploitant te vermijden.

Reinigingsmiddelen tank leegmaken:

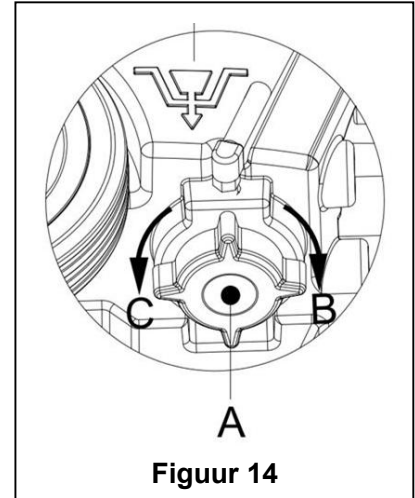
6. Voltooi de stappen 1 tot 4.

7. Zoals weergegeven in **Figuur 14**, draai de deksel van de reiniging smiddelen tank (A) open tegen de klok in richting C. Gebruik kraan water aan de binnenkant van de tank om te reinigen. Wanneer het werk is voltooid, draai het deksel van de tank (A) strak dicht met de klok mee in richting B.

NA HET GEBRUIK VAN DE MACHINE

Wanneer het werk is voltooid, volg de volgende stappen:

1. Volg de procedure zoals beschreven in voorgenoemd de paragraaf over het installeren en lossen van de borstel / padhouder, en verwijder de borstel / pad-houder.
2. Naar aanleiding van de in de verwante secties beschreven procedures, voer het water in reiniging smiddelen tank en vuilwatertank volledig af.
3. Voltooi de dagelijks onderhoud procedures (zie het hoofdstuk over het onderhoud).
4. Bewaar de machine, waaronder de borstel / pad houder en de zuigmond, in een schone en droge plaats. De zuigmond moet worden opgeheven of worden losgemaakt.



Figuur 14

STILSTANDPERIODES

Als het apparaat niet wordt gebruikt voor meer dan 30 dagen, neem behandelen als volgt:

1. Voltooi de noodzakelijke procedure die moeten worden gevolgd nadat de machine wordt gebruikt.
2. Ontkoppel de connector (9) van de accu en de machine aansluiting.
3. Om te voorkomen dat de accu wordt beschadigt, en als de machine niet wordt gebruikt voor meer dan 3 maanden, dan kunt u de batterij opladen eens per 3 maanden.

GEBRUIK VOOR DE EERSTE KEER

Na het gebruik van de eerste 9 uur, controleer alle onderdelen om ervoor te zorgen dat er niets is losgeraakt of beschadigt tijdens gebruik, en controleren of er geen zichtbare schade of lekkage is.

ONDERHOUD EN ZORG

De levensduur en de maximale werking veiligheid van de machine worden verzekerd door een goede en tijdige onderhoud en verzorging.

De volgende tabel geeft een algemeen onderhoudsplan aan voor de machine. De tijdsintervallen van onderhoud worden bepaald voor een groot deel door de werkomstandigheden van de machine. Deze tijdsintervallen moeten worden geformuleerd door het personeel dat verantwoordelijk is voor het onderhoud.



WAARSCHUWING!

Pas nadat de stroom van de machine wordt uitgezet en de verbinding tussen de machine en de accu is losgekoppeld, moeten deze procedures worden uitgevoerd. Voordat u verder gaat met een van de onderhoudsprocedures, gelieve zorgvuldig de bijbehorende veiligheid secties te bestuderen.

Alle onderhoud in het plan of alle extra onderhoud moeten worden uitgevoerd door gekwalificeerd personeel of erkende servicecentra.

Deze handleiding heeft alleen de eenvoudigste en meest voorkomende onderhoudsprocedures.

Voor andere doeleinden dan die vermeld in deze tabel van gepland onderhoud onderhoudsprocedures, verwijzen wij u naar het onderhoudsboek van het service center.

ONDERHOUDSSCHEMA

Procedure	Dagelijks, Machine na gebruik	Wekelijks	Iedere 6 maanden	Jaarlijks
Laad de batterij				
Zuigmond schoonmaken				
Borstel/ pad-houder Reinigen				
Schoon water tank en vlotter filter, inspecteer de afdichtstrippen van de watertank				
Inspecteer en verander de zuigmond strip				
Clean Solution filter				
Clean Vacuum pomp filter				
Inspecteer het vloeistofniveau van WET batterij				
Inspecteer dichtheid van bouten en moeren			(1)	
Inspecteren of te wijzigen motor koolborstels van de borstel / pad-houder				(2)
Inspecteren of te wijzigen koolborstels van vacuümpomp				(2)

(1) Voorafgaand controleren.

(2) Deze onderhoudswerkzaamheden moeten worden uitgevoerd door een erkend VIPER Service Center.

BATTERIJ OPLADEN



OPMERKING

Het is tijd om de batterij op te laden wanneer het oranje of rode lampje brandt, of telkens wanneer het werk is voldaan.



LET OP!

Bewaar de batterij op een volledig opgeladen toestand, om de levensduur van de batterij te verlengen



LET OP!

Zodra de kracht van de batterij onvoldoende is, moet de batterij zo snel mogelijk worden opgeladen. Controleer de lader minstens een keer per week week.



LET OP!

Als het niet is uitgerust met een ingebowd lader, selecteer aub een geschikte externe lader om de batterij op te laden.



WAARSCHUWING!

Bijzondere zorg moet worden genomen bij het opladen van de batterij, want er kan lekkage van zuur ontstaan tijdens het laadproces. Accuzuur is bijtend. Indien per ongeluk in contact komt met de huid of de ogen, spoelen met veel water en raadpleeg een arts.

1. Open het deksel van de vuilwatertank (25) en opletten of vuilwatertank leeg is of niet. Als het niet leeg is, maak het leeg via afvoerslang. (15).
2. Verplaats de machine naar een gespecificeerde oplaad gebied.
3. Zet de schakelaar (41) naar de "O" positie om de machine uit te schakelen.
4. Alleen van toepassing op water-toevoeging Natte batterij
 - Controleer het niveau van de elektrolyt in de batterij. Indien nodig, vul het op door het deksel.
 - Houd alle deksels geopend.
 - Indien nodig, reinig de bovenkant van de batterij.
5. Selecteer een van de volgende procedures om de batterij op te laden volgens het model van de batterij dat wordt gebruikt.

Om een batterij op te laden met een externe lader

6. Controleer, volgens de bijbehorende handleiding, indien de externe lader geschikt. De uitgangsspanning moet DC 24V.
7. Sluit de accu aan op de externe connector en sluit de externe aansluiting aan op een stopcontact.
8. Wanneer opladen is voltooid, sluit oplaad aansluiting van de accu aan op de machine.

Om een batterij op te laden met een ingebouwde lader (optioneel)

9. Verwijder de rubberen deksel aan het einde van het opladen van de batterij connector.
10. Sluit het einde van het opladen van de batterij-connector met het lichtnet met een lading aansluitdraad. (Let op of de ingangsspanning van de on-board lader is 220V - 240V en de uitgangsspanning 24V en frequentie voldoen aan de eisen.) Als de lader is aangesloten op het lichtnet, worden alle overige functies automatisch worden afgesneden. Als het rode lampje op het on-board lader blijft branden, het laat zien dat de oplader is het opladen van de accu.
11. Wanneer het groene lampje (47) brandt, geeft aan dat het opladen van de accu is voltooid.
12. Wanneer het opladen is voltooid, onkoppel de verbindende draad van het einde van de batterij opladen aansluiting en de stroomvoeding, en zet de rubberen deksel op.
13. Onkoppel de lader draad uit de stroom voeding, en draai de draad op de haspel (6).



OPMERKING

Als er meer informatie over de ingebouwde lader (35) nodig is, verwijzen wij u naar bijbehorende handleiding.

ZUIGMOND REINIGING



OPMERKING

Om het optimale effect van water vacuüm te behouden, moet de zuigmond schoon worden gehouden, en de zuigmond strip moet in een goede conditie te blijven.



VOORZICHTIG!

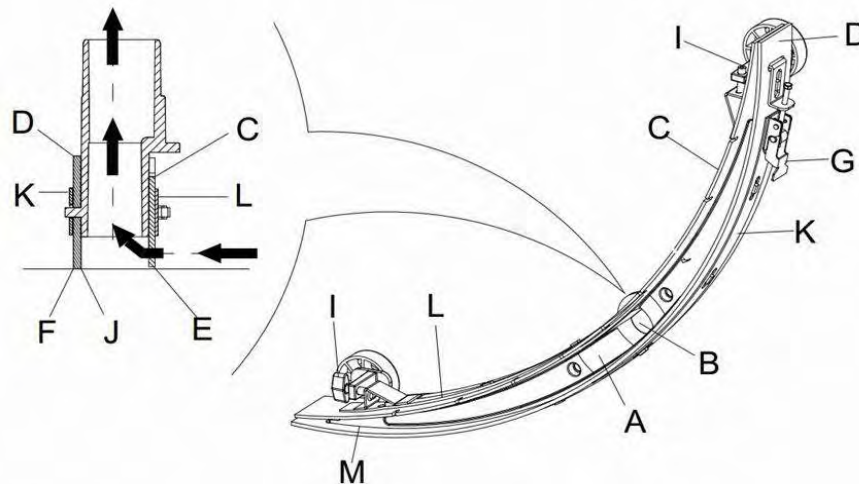
Bij het reinigen van de zuigmond, is het raadzaam om beschermende handschoenen te dragen, omdat de zuigmond scherpe scherven kan bevatten.

1. Verplaats de machine naar een vlak en glad oppervlak.
2. Zet de schakelaar (41) naar de "O" positie om de machine uit te schakelen.
3. Schroef de vaste handgreep (16) van de zuigmond los; verwijder de aansluiting die het herstel Vacuümbuis van de zuigmond en verwijder van de zuigmond.
4. Gebruik de zuigmond optilhandgreep (14) om de zuigmond frame op te tillen.
5. Reinig de zuigmond (**Figuur 15**). Maak in het bijzonder de groef (**A, Figuur 15**) en het vuil en fragmenten op de zuigbuis schoon. Bene-wisserblad (C) en de achterste rubberstrip (D) intact, en als er gebroken randen en scheuren zijn. Veranderen indien nodig (zie de stappen in de volgende paragraaf).
6. De zuigmond opnieuw installeren in de omgekeerde volgorde.

ZUIGMOND BLAD CONTROLEREN EN VERVANGING

1. Naar aanleiding van de methoden verteld in de vorige paragraaf reinigen van de rakel (**Figuur 15**)
2. Controleer de rand (**E, Figuur 15**) van het voorste wisserblad en de rand (F) van het achterste wisserblad (D). Op de gehele lengte, moeten zij op hetzelfde niveau zijn. Anders, pas hun hoogten via de volgende procedure aan.
 - Draai de clip (G) van de achterste wisser (D) los van de beugel (M) voor de aanpassing van de positie van de zuigmond. Na de aanpassing, blokkeer je de clip opnieuw.
 - Draai de schroef op het stuur (I) los om de voorste wisserblad aan te passen (C), draai het handvat schroef weer vast na aanpassing.
3. Controleer of de voorste wisserblad (C) en de achterste wisser (D) intact is en of er gebroken randen en scheuren zijn. Eventueel veranderen volgens de volgende manieren. Controleer de voorkant van het achterste wisserblad (J) of het is versleten. Indien versleten, kunt u hem ondersteboven (de bovenrand moet intact) installeren. Als de bovenrand ook is versleten, wijzigen door onderstaande procedure te volgen:
 - Draai de clip (G) om de druk mes van de beugel los (M) te laten, Verwijder de clip (K) om vervolgens de achterste wisser (D) ondersteboven te plaatsen. Installeer het achterste wisserblad in omgekeerde volgorde.

- Draai het handvat schroef (I) los en verwijder de voorste clip bar (L), en verander de voorste zuigmond (C).
 Installeer opnieuw van het voorste wisserblad in omgekeerde volgorde van het verwijderen.
 Na het wijzigen van de wisser (of het ondersteboven installeren), het niveau van de voorste en achterste wisserbladen aanpassen in de procedures zoals hierboven beschreven.
- 4. Sluit de zuigbuis (11)aan naar het zuigmond.
- 5. Installeer de zuigmond en gebruik de knop (16) om het aan te scherpen, en sluit vervolgens het zuigbuis aan naar de zuigmond.
- 6. Indien nodig, pas de zuigmond door de aanpassing handwiel (20) aan (zie de procedures voor het aanpassen van de zuigmond balans).



Figuur 15

BORSTEL / POLIJST PAD REINIGING



LET OP!

Bij het schoonmaken van de borstel / pad-houder dat u beschermende handschoenen draagt.

1. Op de wijze zoals verteld in vorige paragrafen, verwijder de borstel / pad-houder.
2. Met het gebruik van water en reinigingsmiddelen, reinigt u de borstel / padhouder.
3. Controleer de volledigheid en het versleten conditie van de haren op de borstel en, indien nodig, wijzig de borstel.
4. Controleer de toestand van het dragen van de pad-houder en, indien nodig, wijzig de pad houder.

WATER TANK EN VLOTTER FILTER MESH REINIGING

1. Verplaats de machine naar een speciale stortplaats.
2. Zet de schakelaar (41) naar de "O" positie om de machine uit te schakelen.
3. Open het deksel van de vuilwatertank (A, **Figuur 16**), en verwijder de vlotter apparaat (36) van de vuilwatertank.
4. Gebruik kraanwater om vuilwatertank deksel (A), het reservoir (B en C), en de vlotter filter frame (E) te reinigen. Via de Herstel buis (15), voert u al het water uit de watertank.
5. Indien nodig, bij de symbolen "Open" en "Close" zoals weergegeven in **Figuur 16**, open de onderste klep (F) van de vlotter filter en reinig de vlotter (D), zweven filter frame (E), en de filterspons (I). Na het reinigen, repareer de vlotter op de vlotter filter frame (E), en lijn de markeer groef (L) van de onderste deksel (F) van de vlotter filter met het merk groef (L) van de vlotter filter frame (E). Draai het onderste deksel (F) van de vlotter filter strak vast, en bevestig het filter spons (I) op de vlotter filter frame (E), en vervolgens naar de zuigbuis (M).
6. Controleer de deugdelijkheid van de afdichtring (G) van het water tank deksel.

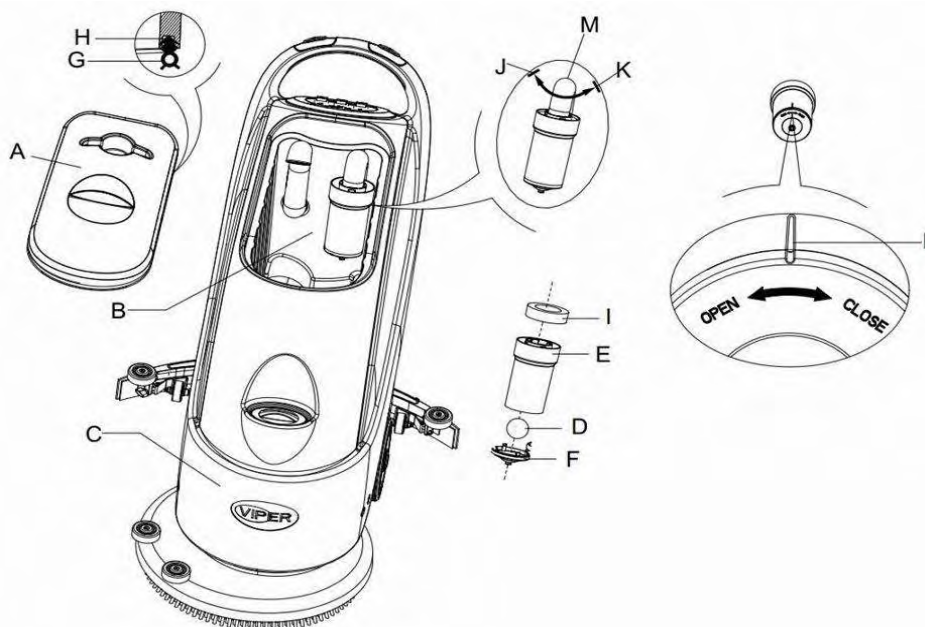


OPMERKING

De afdichtstrip (G) van de watertank creëren een vacuüm. Het moet volledig worden afgedicht om het afvalwater van de vloer effectief te kunnen zuigen.

Indien nodig kan de afdichtstrip van de water tank (G) op de groef (H) worden genomen en veranderd. Bij het samenstellen van een nieuwe watertank afdichtstrip, zoals weergegeven in **Figuur 16** hieronder, installeer de connector aan het middelste gedeelte van het achterste gedeelte.

7. Controleer of het ontvangende oppervlaktewater van de afdichtstrip (G) intact is en adequaat is afgesloten.
8. Sluit deksel van de vuilwatertank (A).



Figuur 16

OPLOSSING FILTER REINIGING

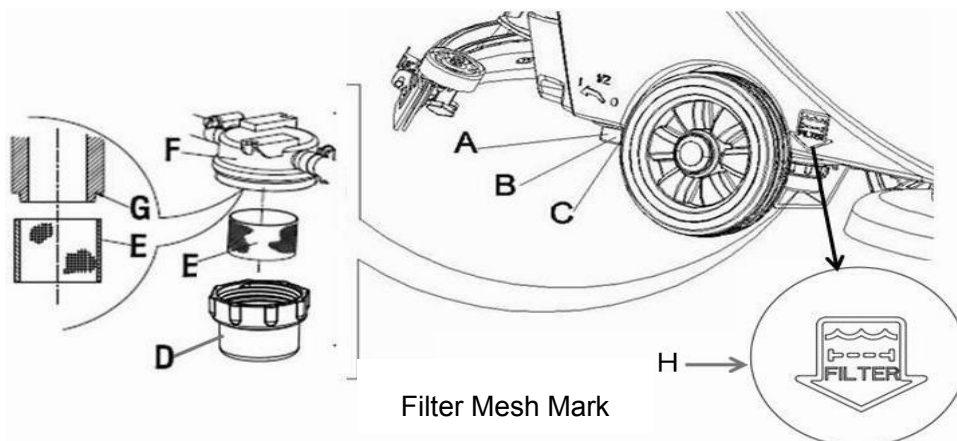
1. Tap al het water uit Solution tank in de weg zoals geïntroduceerd in gerelateerde secties.
2. Verplaats de machine naar een vlak en glad terrein.
3. Zet de schakelaar (41) naar de "O" positie om de machine uit te schakelen.
4. Schakel de drainerende kogelklep (A, **Figuur 17**) (aan de onderkant van de machine, achter de wielen). Positie B kogelkraan geopend, en de positie C kogelkraan gesloten.
5. Verwijder het transparante deksel (D), en neem vervolgens het filter (E), en installeer ze op de filterkast (F) na het schoonmaken.



OPMERKING

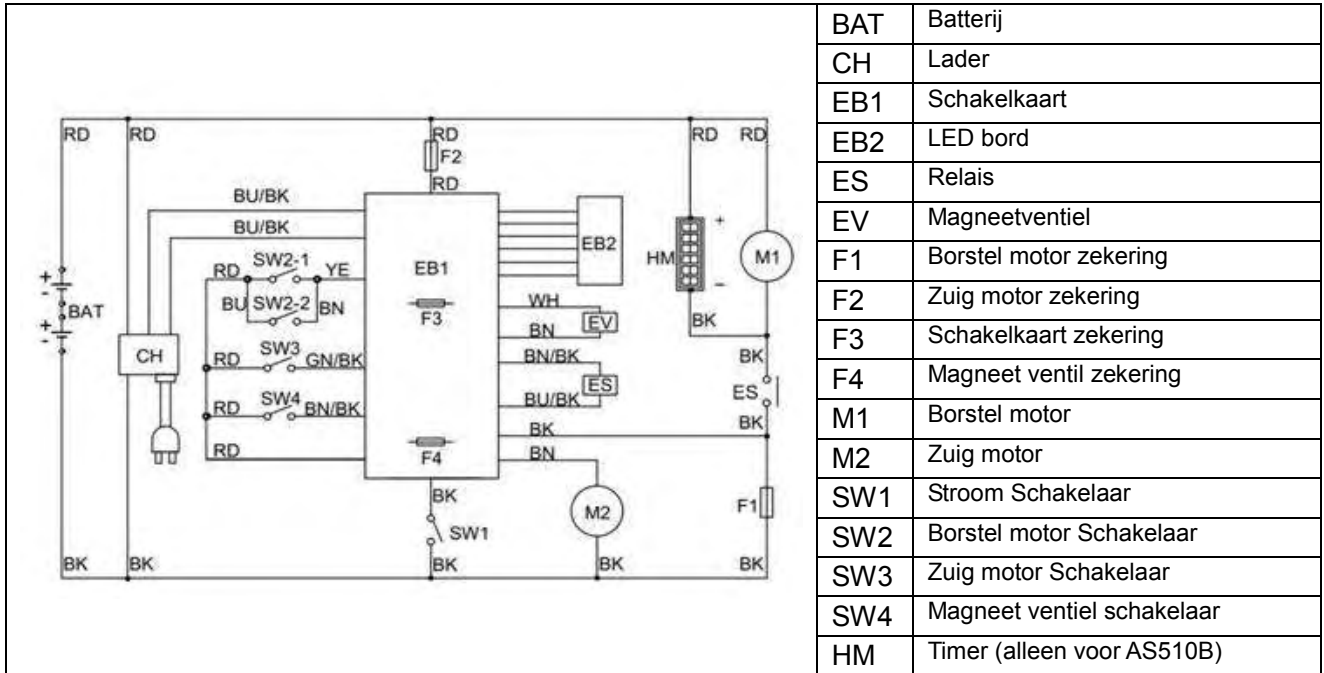
Het filter (E) moet nauwkeurig worden geïnstalleerd op de positie van het uitsteeksel (G).

6. Open het aftappen kogelkraan (A).



Figuur 17

CIRCUIT FIGUUR van AS430B EN AS510B



KLEURCODES		
RD - Rood	BN - Bruin	BU/BK - Blauw/Zwart
BU - Blauw	YE - Geel	GN/BK - Groen/Zwart
BK - Zwart	WH - Wit	BN/BK - Bruin/Zwart

PROBLEEMOPLOSSING

Storing	Mogelijke Oorzaak	Oplossing
Machine niet werkt:	Batterij connector (9) niet aangesloten.	Sluit de batterij connector
Indicatielampje gaat niet aan	Batterij al leeg	Laad de batterij op
Waarschuwinglampje (39 en 40) knipperen	Borstel motor overbelast	Veranderen in een zachte borstel aan te passen aan de vloer te reinigen
	Andere zaken vastlopen in de roterende van de borstel	Opruimen van de borstel
Borstel werkt niet	Borstel zekering afgaan uit	Opnieuw instellen
	Slijpt	Controleer de riem, passen spanrol
Zuigmotor werkt niet	Vacuüm zekering afgaan uit	Opnieuw instellen
Onvoldoende Vacuum	Afvalwater tank vol is.	Tap de watertank af
	Vacuüm buis voor afval en zuigmond niet correct aangesloten	Sluit de vacuüm buis voor het afval en de zuigmond
	Drijven filter geblokkeerd of inlaat verstopt	Reinig de vlotter filter, controleer de vlotterbal
	Rakel vuil of wisserblad versleten en beschadigd	Reinig en controleer de zuigmond
	Tankdeksel niet goed herstel aangezet, of de afdichtstrip van het water tank is beschadigd	Monteer de deksel goed, of verander water tank afdichtstrip
Zuiver watertoevoer naar de borstel is onvoldoende	Filteren vuil.	Reinig het filter
Zuigmond laat sporen achter	Puin, zoals fragmenten onder de rakelblad	Verwijder de fragmenten
	Zuigmondrubber is al versleten, gebarsten, broos.	Wijzig het wisserblad
	Saldo van de zuigmond is niet aangepast	Pas de balans aan



OPMERKING

Als de machine wordt geïnstalleerd met de optionele ingebouwde lader, en wanneer de ingebouwde lader defect is, kan het apparaat niet worden bediend.

Als de ingebouwde lader defect is, neem dan contact op met een erkende onderhoudscentrum.

Voor meer informatie, verwijzen wij u naar het onderhoudsboekje (beschikbaar op elk onderhoud centrum van VIPER)

MACHINE VERWIJDEREN

Gebruik gekwalificeerde verpletterende machine om deze machine te vernietigen.

Voordat dit apparaat wordt vernietigt, neem afstand en scheid de volgende materialen, die volgens relevante wet en regelgeving, moet goed worden verwerkt.

- Batterij
- Borstel/pad-houder
- Plastic slangen en kunststof onderdelen
- Elektrische en elektronische componenten (*)

(*):Neem contact op met het dichtstbijzijnde VIPER Center (vooral wanneer sloop van elektrische en elektronische componenten zijn vereist).

INDICE

INTRODUZIONE	75
CONTENUTO DEL MANUALE	75
SCOPO	75
PEZZI DI RICAMBIO E MANUTENZIONE	75
MODIFICHE E MIGLIORAMENTI	75
SCOPO DELL'APPARECCHIO	75
APERTURA DELLA CONFEZIONE/TRASPORTO	75
DISPOSIZIONI DI SICUREZZA GENERALI	76
DATI TECNICI	77
DESCRIZIONE DELL'APPARECCHIO	77
MACHINE STRUCTURE	77
PANNELLO DI CONTROLLO	78
VISUALIZZATORE DELLE SPIE LUMINOSE DEL RICARICATORE	79
GUIDA D'USO.....	79
INSTALLAZIONE DELLA BATTERIA DI UN NUOVO APPARECCHIO	79
INSTALLAZIONE DELLA BATTERIA E IMPOSTAZIONE DEL TIPO DI BATTERIA (WET O GEL/AGM)	80
PRIMA DI AVVIARE L'APPARECCHIO	81
INSTALLARE E DISINSTALLARE LA SPAZZOLA / CUSCINETTO	81
REGOLAZIONE DEL BILANCIAMENTO DEL TERGIPAVIMENTO.....	82
REGOLAZIONE DEL FLUSSO D'ACQUA	82
ACCENDERE E SPEGNERE L'APPARECCHIO	83
FUNZIONAMENTO (LAVAGGIO E ASCIUGATURA).....	83
SVUOTARE IL SERBATOIO	84
DOPO AVER UTILIZZATO L'APPARECCHIO	85
PERIODI DI INATTIVITÀ.....	85
USARE L'APPARECCHIO PER LA PRIMA VOLTA.....	85
CURA E MANUTENZIONE.....	85
TABELLA DI MANUTENZIONE PIANIFICATA	86
RICARICA DELLA BATTERIA	86
PULIZIA DEL TERGIPAVIMENTO	87
VERIFICA E SOSTITUZIONE DELLA LAMA DEL TERGIPAVIMENTO.....	87
PULITURA DI SPAZZOLA/CUSCINETTO.....	88
PULITURA DEL SERBATOIO E DEL FILTRO DEL GALLEGGIANTE	88
PULIZIA DEL FILTRO DI SOLUZIONE.....	89
SCHEMA DEL CIRCUITO AS430B E AS510B	90
RISOLUZIONE DEI PROBLEMI.....	91
SMALTIMENTO DELL'APPARECCHIO	91

INTRODUZIONE



NOTA: I numeri tra parentesi si riferiscono ai relativi componenti indicati nella sezione della Descrizione dell'Apparecchio.

CONTENUTO DEL MANUALE

Questo manuale ha lo scopo di fornire all'utente le necessarie informazioni per utilizzare l'apparecchio in modo corretto e sicuro. Le informazioni includono dati tecnici, sicurezza, utilizzo, conservazione, manutenzione e smaltimento dell'apparecchio. L'operatore e i tecnici in possesso delle qualifiche richieste sono pregati di leggere questo manuale con attenzione prima di cominciare a utilizzare o prima di intervenire sull'apparecchio. Si prega di contattare la VIPER per qualsiasi richiesta di spiegazione circa il contenuto di questo manuale o nel caso in cui si necessiti di ulteriori chiarimenti.

SCOPO

Scopo di questo manuale è quello di consentire all'operatore e ai tecnici qualificati di provvedere alla manutenzione dell'apparecchio.

L'operatore non deve compiere quelle operazioni che dovrebbero essere eseguite solo da tecnici qualificati. La VIPER non si ritiene responsabile di eventuali danni causati dalla violazione di tale norma.

PEZZI DI RICAMBIO E MANUTENZIONE

Tutte le necessarie procedure di funzionamento, manutenzione e riparazione devono essere eseguite da personale qualificato o dai servizi di assistenza della VIPER.

Dovrebbero essere utilizzati solo pezzi di ricambio e accessori autorizzati.

Se si ha bisogno di far riparare o di ordinare pezzi di ricambio o accessori, si prega di contattare la VIPER comunicando il modello dell'apparecchio e il numero di serie.

MODIFICHE E MIGLIORAMENTI

VIPER si impegna ad un continuo miglioramento dei suoi prodotti. VIPER si riserva il diritto di modificare e migliorare l'apparecchio, così come il diritto di decidere da sola se i benefici apportati da tali modifiche sono apportabili anche ai prodotti già venduti. Tutti i cambiamenti o gli accessori extra devono essere autorizzati da VIPER ed essere realizzati dalla compagnia.

SCOPO DELL'APPARECCHIO

Questo lavasciuga è utilizzato in ambienti domestici e industriali, ed è adatto a pulire pavimenti lisci e duri (pulitura e raccolta di acqua di scarico). Deve essere utilizzato da operatori qualificati e in ambienti sicuri. Questo lavasciuga non deve essere utilizzato per la pulizia di esterni, di tappeti o di pavimentazioni dissetate.

APERTURA DELLA CONFEZIONE/TRASPORTO

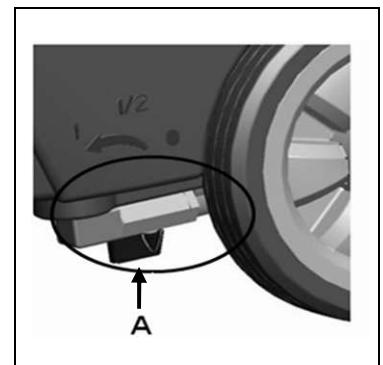
Si prega di seguire con attenzione le istruzioni indicate sulla confezione, quando la si apre.

All'atto della consegna, si prega di ispezionare il confezionamento e l'apparecchio per assicurarsi che nessun danno sia stato arrecato durante il trasporto. Se vi sono danni visibili, si prega di tenerlo nella forma originale, chiedere al corriere la conferma e compilare una lista dei danni per il rimborso.



— ATTENZIONE

Durante l'apertura della confezione e lo scaricamento, o durante lo spostamento dell'apparecchio su un terreno con gradini, si prega di aver cura di evitare di urtare l'interruttore on/off che regola il flusso dell'acqua, Parte A nell'immagine a destra.



Verificare che l'apparecchio sia fornito insieme ai seguenti oggetti:

1. Documenti Tecnici
 - Manuale d'uso del Lavasciuga
 - Manuale del Ricaricatore integrato (se equipaggiato)
2. connettore per il Ricaricatore (se non equipaggiato di Ricaricatore integrato, è fornito con lo specifico ricaritore esterno)

DISPOSIZIONI DI SICUREZZA GENERALI

Di seguito sono riportate avvertenze speciali e segnalazioni circa potenziali danni (alle persone e all'apparecchio):



AVVERTENZA!

- L'Apparecchio può essere utilizzato solo secondo le istruzioni fornite in questo manuale. Dovrebbero essere utilizzati solo accessori approvati dalla VIPER.
- Questo apparecchio dovrebbe essere utilizzato solo da personale debitamente addestrato o autorizzato. Bambini o persone inadeguate non devono utilizzare questo apparecchio.
- In condizioni di uso normale, la batteria potrebbe emettere gas infiammabile. La batteria deve essere tenuta lontano da dispositivi che emettono radiazioni, illuminazione, fiamme e scintille. Quando l'apparecchio viene utilizzato, si prega di assicurarsi che l'ambiente sia ben ventilato e sgombro da fiamme libere. Durante la ricarica, si prega di non fumare in prossimità dell'apparecchio.
- Si prega di staccare la batteria prima di procedere a qualsiasi operazione di manutenzione/riparazione.
- Prima di usare il ricaricatore integrato, si prega di assicurarsi che i valori di voltaggio e di frequenza indicati sull'etichetta del numero di serie corrispondano a quelli della rete elettrica.
- Quando si lavora in prossimità di parti elettriche, si prega di non indossare alcun gioiello. Si prega di prendere le necessarie misure precauzionali per evitare che capelli, gioielli e lembi o frange di abiti possano venire catturati dalle parti mobili dell'apparecchio.
- Si prega di non utilizzare l'apparecchio in zone particolarmente sporche. Non lavare l'apparecchio direttamente con acqua. Fare in modo che l'apparecchio non venga a contatto con liquidi corrosivi.
- La temperatura dell'ambiente di conservazione e di utilizzo dell'apparecchio deve essere compresa tra 0 - 40°C.
- L'umidità dell'aria deve essere compresa tra 30% - 105%.
- Si prega di non utilizzare l'apparecchio su un pendio di pendenza superiore al 2%.
- In caso di incendio, si prega di usare estintori a polvere. Non usare estintori liquidi.
- Particolare attenzione dovrebbe essere prestata quando l'apparecchio viene trasportato sotto gli 0°C. Il serbatoio dell'acqua e l'acqua negli ugelli potrebbe congelare e causare gravi danni all'apparecchio.
- Utilizzare spazzole e cuscinetti forniti insieme all'apparecchio e quelli specificati nel Manuale d'Uso. Usare altre spazzole o cuscinetti potrebbe ridurre la sicurezza.
- Nel caso di malfunzionamento dell'apparecchio, si prega di verificare che ciò non sia causato da carenza di manutenzione. Se è causata da altre condizioni, si prega di ricorrere all'assistenza di personale autorizzato o al servizio di assistenza clienti.
- Se viene confermato che alcuni pezzi devono essere sostituiti, si prega di verificare che i pezzi di ricambio provengano da rivenditori o agenti autorizzati.
- Al fine di garantire un sicuro e corretto utilizzo dell'apparecchio, si prega di fare in modo che il personale autorizzato o il servizio di assistenza eseguano la manutenzione programmata secondo il programma di manutenzione riportato nella relativa sezione di questo manuale.
- Questo apparecchio deve essere correttamente smaltito in quanto potrebbe contenere sostanze velenose e pericolose (batterie, ecc.), e queste sostanze devono essere smaltite in centri speciali, nel rispetto delle leggi e delle disposizioni in materia (si prega di consultare la sezione relativa allo smaltimento, in questo manuale).

DATI TECNICI

Modello	AS430B	AS510B
Altezza dell'apparecchio	980mm	
Capacità del serbatoio della soluzione	40 litri	
Capacità del serbatoio di raccolta	40 litri	
Diametro della ruota di trasporto	200mm	
Diametro della ruota di guida	76mm	
Potenza del motore di aspirazione	350w	
Massima pendenza di utilizzo	2%(Max)	
Livello pressione sonora in fase operativa	70dB(A) ±3dB(A)	
Batterie standard	(2×12V) 24V 85Ah AGM	(2×12V) 24V 105Ah AGM
Dimensioni Comparto batterie (La x Lu x H)	340 x 330 x 260mm(Max)	
Capacità del circuito di aspirazione	1200 mm H ₂ O	
Area di pulitura	430mm	510mm
Larghezza tergipavimento	730mm	790mm
Massima lunghezza dell'apparecchio	1060mm	1100mm
Larghezza senza tergipavimento	480mm	540mm
Diametro della spazzola	430mm	510mm
Peso con batterie e serbatoio vuoto	112kg	128kg
Peso lordo della macchina pronta per l'uso	152kg	168kg
Potenza del motore della spazzola	550W	560W
Velocità della spazzola	150rpm	
Massima pressione spazzola/cuscinetto	30kg (Max)	35kg(Max)
Dimensioni della confezione (Lu x La x H)	1200 x 610 x 1170mm	

DESCRIZIONE DELL'APPARECCHIO

MACHINE STRUCTURE

- | | |
|--|---|
| 1. Interruttore di sicurezza | 20. Manopola di regolazione tergipavimento |
| 2. Manubrio | 21. Telaio di supporto posteriore tergipavimento |
| 3. Pannello di Controllo | 22. Telaio di supporto anteriore tergipavimento |
| 4. Piastra numero di serie/dati tecnici
/certificazione di conformità | 23. Portabicchiere |
| 5. Coperchio del Controllo | 24. Maniglia coperchio Serbatoio di raccolta |
| 6. Supporto del cavo (*) | 25. Coperchio del Serbatoio di raccolta |
| 7. Spia luminosa del Ricaricatore | 26. Serbatoio |
| 8. Interruttore di ripristino | 27. Coperchio del vano di ingresso acqua |
| 9. Connettore della batteria | 28. Ponte della spazzola |
| 10. Coperchio della batteria | 29. Spazzola / cuscinetto |
| 11. Tubo aspirapolvere | 30. Motore di aspirazione |
| 12. Cavo direzionale del tergipavimento | 31. Motore della spazzola |
| 13. Coperchio di sicurezza del connettore | 32. Ruota 8" |
| 14. Maniglia di sollevamento tergipavimento | 33. Batteria |
| 15. Tubo di drenaggio | 34. Tubo di aspirazione |
| 16. Pomo di fissaggio del tergipavimento | 35. Ricaricatore (*) |
| 17. Gancio del tergipavimento | 36. Filtro galleggiante |
| 18. Spatola del tergipavimento | 37. Tubetto di livello d'acqua (indica la quantità di
acqua nel serbatoio della Soluzione) |
| 19. Telaio di supporto del tergipavimento | |

(*) applicabile solo agli apparecchi già forniti di ricaricatore integrato (opzionale)

RAFFIGURAZIONI DELLA STRUTTURA DELL'APPARECCHIO

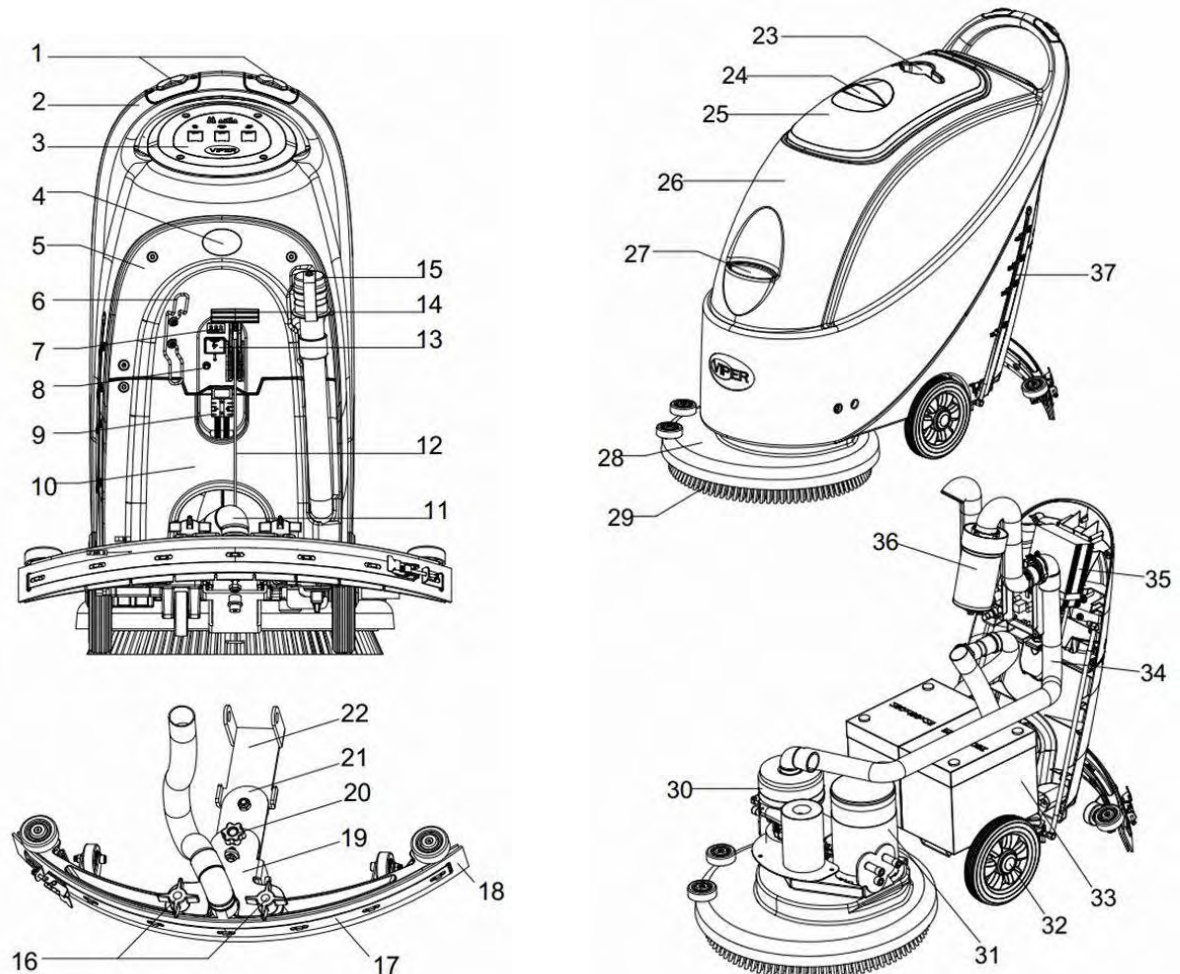


Figura 1

PANNELLO DI CONTROLLO (Figura 2)

- 38. Spia luminosa di ricarica batteria (verde quando satura)
- 39. Spia luminosa di batteria scarica (rossa)
- 40. Spia luminosa di batteria scarica (rossa)
- 41. Interruttore
- 42. Interruttore dell'aspiratore
- 43. Timer (opzionale, per memorizzare il tempo di funzionamento della spazzola)
- 44. Interruttore elettrovalvola per il controllo del diffusore d'acqua

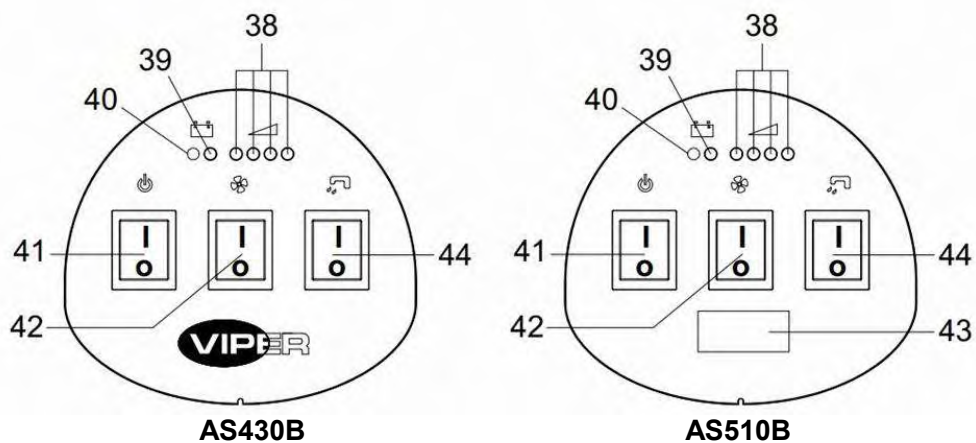


Figura 2

VISUALIZZATORE DELLE SPIE LUMINOSE DEL RICARICATORE (Figura 3)

(Opzionale, applicabile ai modelli con ricaricatore incorporato)

1. Quando si avvia la ricarica, la spia luminosa rossa del ricaricatore (45) lampeggia per un po' poi si stabilizza in luce rossa fissa, all'ingresso nel primo stadio di ricarica;
2. Dopo essere stato in carica per qualche tempo, la spia luminosa rossa (45) del ricaricatore si spegne, e si accende la spia luminosa gialla (46) fissa: all'ingresso nel secondo stadio di ricarica;
3. Dopo essere stato in carica per circa 10 ore, la spia luminosa gialla (46) si spegne, e si accende la spia luminosa verde (47), fissa che indica che la ricarica della batteria è completa.

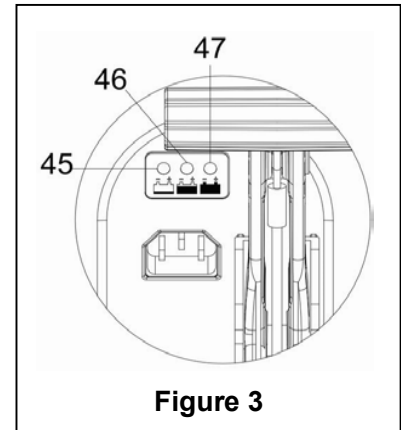


Figure 3



NOTE

- 1) Durante la ricarica, se la spia gialla lampeggia: la batteria non è di tipo compatibile con il ricaricatore, o la batteria non è correttamente collegata, o si è verificato un corto circuito nella scheda di connessione di output.
- 2) Se la spia luminosa rossa lampeggia: si è verificato un corto circuito nel caricatore (per dettagli consultare le istruzioni nel manuale del ricaricatore).

GUIDA D'USO



AVVERTENZA

Su alcune parti dell'apparecchio sono incollate etichette con indicazioni di:

- PERICOLO
- AVVERTENZA
- ATTENZIONE
- CONSULTAZIONE

Durante la lettura del manuale, l'operatore deve prestare particolare attenzione ai simboli su queste etichette. In nessuna circostanza queste etichette devono essere coperte. Se sono danneggiate, si prega di sostituirle immediatamente.

INSTALLAZIONE DELLA BATTERIA DI UN NUOVO APPARECCHIO



AVVERTENZA

Se la batteria non è correttamente installata o collegata, i componenti elettrici dell'apparecchio possono venire seriamente danneggiati. La batteria può essere installata solo da personale qualificato. A seconda del modello di batteria (WET o GEL) in uso, impostare il circuito funzionale e il caricatore incorporato (opzionale).

Si prega di verificare se la batteria è danneggiata prima dell'installazione.
Staccare il connettore della batteria e la spina del ricaricatore incorporato.
Fare attenzione quando si tocca la batteria.

Questo apparecchio necessita di due (2) batterie 12V.
Si prega di collegarle come indicato nella **Figura 4** sulla destra.
Quest'apparecchio può supportare uno dei seguenti modelli:

a) Le batterie (WET o GEL/ AGM) sono già installate e possono essere usate in qualsiasi momento.

1. Verificare la batteria. Tramite il connettore (9) collegare la batteria all'apparecchio.
2. (Applicabile solo a AS430B e AS510B): premere l'interruttore on/off (41). Se la luce verde è accesa, significa che la batteria è pronta per l'uso. Se la luce gialla o rossa sono accese, significa che la batteria deve essere ricaricata. (Si prega di far riferimento alla sezione manutenzione per le relative procedure).

b) Senza batterie

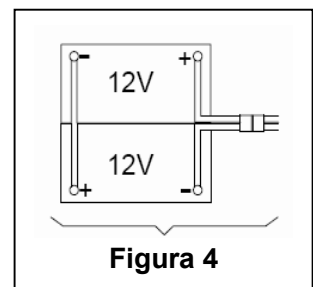


Figura 4

1. Acquistare batterie simili (far riferimento alla sezione dei parametri tecnici). Informazioni sulla selezione della batteria possono essere ottenute da qualificati rivenditori di batterie.
2. Impostare l'apparecchio e il ricaricatore incorporato (se equipaggiato) in conformità al tipo di batterie (WET o GEL/AGM). Leggere anche il seguente paragrafo per le modalità di installazione della batteria.

INSTALLAZIONE DELLA BATTERIA E IMPOSTAZIONE DEL TIPO DI BATTERIA (WET O GEL/AGM)

A seconda del tipo di batteria (WET o GEL/AGM) impostare il circuito elettrico del ricaricatore incorporato. Le procedure sono le seguenti:

1. Assicurarsi che il connettore della batteria sia scollegato. Se l'apparecchio utilizza batteria "AGM" al momento dell'uscita dalla fabbrica, saltare al Passo 8; altrimenti, completare i Passi 2, 3 e 4.
2. Togliere il tubo di drenaggio (15)
3. Se equipaggiato di un ricaricatore integrato, si prega di staccare il filo di ricarica dalla bobina.
4. Togliere il coperchio del controllo (5), e le viti del coperchio della batteria (10). Togliere le viti del piedistallo PCB. L'interruttore DIP (B) per impostare la batteria può essere visto ribaltando la scheda PCB. (Vd. **Figura 5**)
5. Mettere il microinterruttore DIP (B) in posizione "WET",
6. Completare i Passi 3, 4 e 5 in ordine inverso.

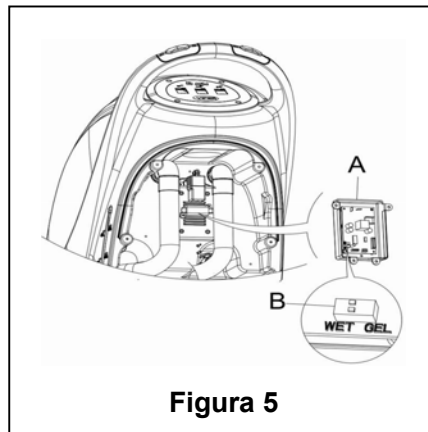


Figura 5

Installazione delle batterie

7. Staccare il connettore della batteria (9).
8. Aprire il coperchio del serbatoio di raccolta (25) e controllare se il serbatoio di raccolta è vuoto o no; se non lo è, svuotarlo mediante il tubo di drenaggio (15).
9. Svitare il pomo di fissaggio del tergipavimento (16), staccare il connettore che collega il tubo aspirapolvere (11) al tergipavimento, e quindi staccare il tergipavimento.
10. Svitare le viti del coperchio della batteria (10) e rimuovere il coperchio.
11. Svitare il connettore del cavo direzionale del tergipavimento (12) che collega il telaio di supporto del tergipavimento (19), e appendere in alto il cavo direzionale del tergipavimento.
12. Appendere in alto il tubo di drenaggio (15) e il tubo aspirapolvere (11).
13. A seconda delle dimensioni della batteria, spingere la scheda di fissaggio nel vano batteria fino in fondo verso l'interno.

NOTA



Le dimensioni della batteria non devono superare: Lu x La x H: 330mm x 170mm x 260mm. A seconda del variare delle dimensioni della batteria, i requisiti per la scelta delle batterie prefissati sono i seguenti:

- 1) Per batterie di lunghezza inferiore ai 270mm, usare 2 pezzi di schede di fissaggio (**B, Figura 6**) e collocarle fianco a fianco dentro tra il serbatoio dell'acqua e la batteria;
- 2) Per batterie di lunghezza compresa tra 310mm-270mm, usare 1 pezzo delle schede di fissaggio (**B, Figura 6**) e posizionarlo tra serbatoio dell'acqua e la batteria;
- 3) Per batterie di lunghezza compresa tra 330mm -310mm, non occorre alcuna scheda per fissarne la posizione.

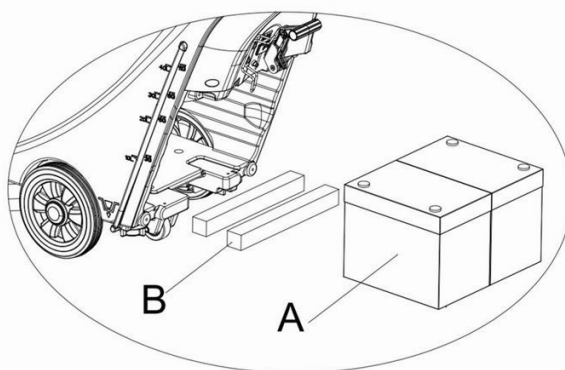


Figura 6

14. Installare la batteria con gli appositi strumenti di installazione (**A, Figura 7**). Dopo l'installazione, rimuovere gli strumenti di installazione, e installare la staffa di fissaggio (**B, Figura 7**).

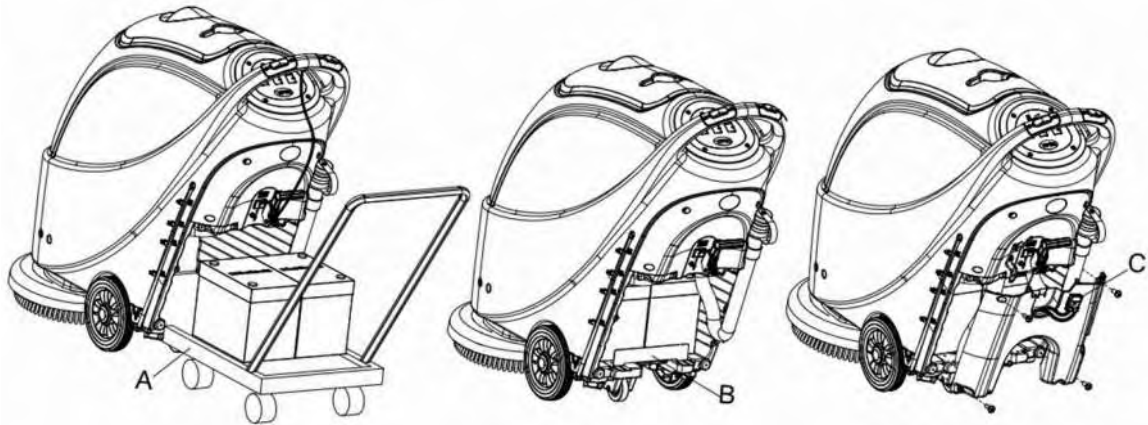


Figura 7

15. Far passare il connettore della batteria (**C, Figura 7**) attraverso il foro sulla cima del coperchio del contenitore della batteria, far passare il tubo di drenaggio attraverso il foro destro del coperchio del contenitore della batteria, fissare il coperchio con quattro viti, quindi installare il cavo direzionale del tergipavimento, il tubo di drenaggio, e il tergipavimento in successione.

Ricaricare la batteria

16. Per ricaricare la batteria far riferimento ai passi indicati nella sezione Manutenzione.

PRIMA DI AVVIARE L'APPARECCHIO

INSTALLARE E DISINSTALLARE LA SPAZZOLA / CUSCINETTO



NOTA

A seconda del tipo di pavimento da pulire, sull'apparecchio si può installare spazzola (Figura 8, A), o cuscinetto (Figura 8, B e C).



ATTENZIONE !

Durante l'installazione o la disinstallazione di spazzola/cuscinetto, accertarsi prima che tutti gli interruttori siano in posizione off e sollevare il tergipavimento dal suolo; solo dopo spazzola o cuscinetto possono essere montati. Inoltre, si prega di mettere dei guanti per evitare di essere tagliati dai frammenti.

- (Applicabile solo a **AS430B** e **AS510B**): assicurarsi che l'interruttore (41) sia in posizione di disconnessione (**O**).
- Premere in basso il manubrio (2) per alzare il serbatoio (26).
- Mettere spazzola (A) o cuscinetto (B – C) in sede .
- Usare il manubrio (2) per abbassare il serbatoio (26) a contatto con spazzola o cuscinetto.
- Per installare spazzola/cuscinetto automaticamente, mettere l'interruttore (41) in posizione "I" e premere l'interruttore di sicurezza (1). Spingere gentilmente in avanti l'apparecchio per permettere alla ruota di trasporto sul fondo del serbatoio di allinearsi con spazzola o cuscinetto che possono così essere installati. Quindi rilasciare l'interruttore di sicurezza. Se occorre, ripetere la procedure fino all'installazione di spazzola/cuscinetto.
- Se il Passo 5 risulta difficile, usare il metodo manuale seguendo la freccia (D) per installare spazzola / cuscinetto (come mostrato nella **Figura 8**).
- Per disinstallare automaticamente spazzola/cuscinetto, mettere l'interruttore (41) in posizione "O". Reggere il manubrio, e premere l'apparecchio verso il basso finché la ruota di guida tocca il pavimento e spazzola/cuscinetto siano sospesi in aria. Mettere l'interruttore (41) in posizione "I" e

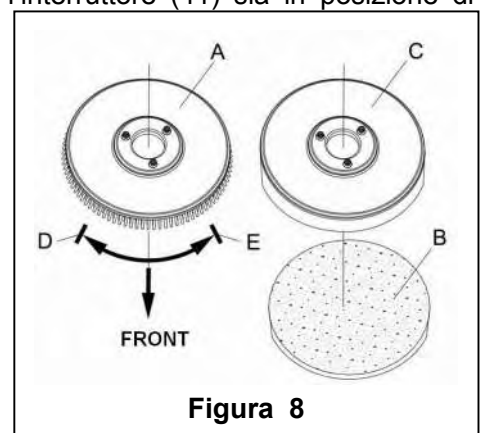


Figura 8

premere l'interruttore di sicurezza per far sì che spazzola o cuscinetto ruotino fino a che spazzola e cuscinetto non cadono al suolo.

8. Se il Passo 7 risulta difficile, usare il metodo manuale, ruotando spazzola/cuscinetto in direzione opposta a quella della normale rotazione così che si stacchi (come mostrato nella **Figura 8**)

REGOLAZIONE DEL BILANCIAMENTO DEL TERGIPAVIMENTO

9. Installare il tergipavimento e fissarlo avvitando la manopola. Quindi collegare il tubo di drenaggio al tergipavimento.
10. Regolare il tergipavimento per mezzo della manopola di regolazione (A) del tergipavimento (vd. **Figura 9**).
- 1) Se la sezione mediana della lama posteriore del tergipavimento, sezione B, non poggia sul pavimento o la pressione esercitata è piuttosto leggera, regolare la manopola in senso antiorario finché l'intera lunghezza della lama posteriore del tergipavimento non tocca bene il suolo. La lama frontale dovrebbe toccare il suolo leggermente.
 - 2) Se le due estremità della lama posteriore del tergipavimento, sezioni C e D, non poggiano sul pavimento o la pressione esercitata è piuttosto leggera, regolare la manopola in senso orario finché l'intera lunghezza della lama posteriore del tergipavimento non tocca bene il suolo. La lama frontale del tergipavimento dovrebbe toccare il suolo leggermente.

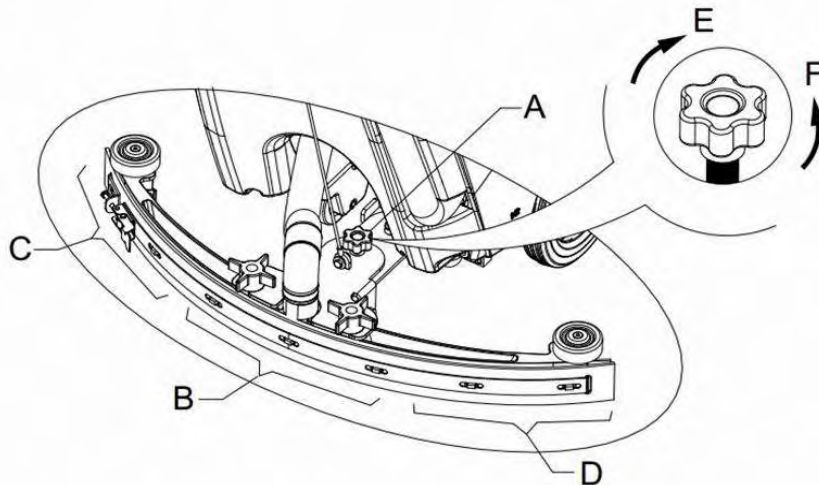


Figura 9

Riempimento del serbatoio della soluzione



ATTENZIONE!

Utilizzare solo detersivi a bassa quantità di schiuma, non infiammabili. Tali detersivi devono essere adatti all'utilizzo con lavasciuga.

11. Aprire il coperchio del vano di ingresso dell'acqua (27) e aggiungere acqua nel serbatoio, facendo attenzione a non riempirlo troppo. Riempire fino a raggiungere il bordo del filtro nel vano di ingresso dell'acqua. Nella preparazione della soluzione di lavaggio, si prega di rispettare le dosi indicate dal produttore del detersivo e di verificare che la temperatura dell'acqua non sia superiore ai 40° C.

REGOLAZIONE DEL FLUSSO D'ACQUA



AVVERTENZA!

La regolazione della manopola della valvola di flusso (A, Figura 10) deve essere fatta quando l'interruttore (41) è in posizione "O".

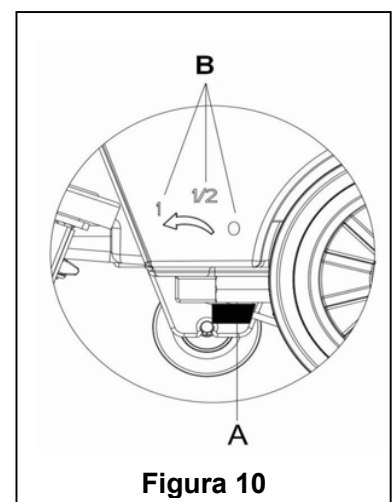


Figura 10

12. il volume del flusso d'acqua può essere regolato per mezzo della manopola della valvola di flusso (A, Figura 10) in base alla quantità d'acqua effettivamente necessaria alla pulizia del pavimento.

ACCENDERE E SPEGNERE L'APPARECCHIO

Accendere l'apparecchio

1. Completare le fasi preparatorie come precedentemente illustrato.
2. Premere l'interruttore (41) in posizione "I".
3. Utilizzare la maniglia di sollevamento del tergilavaggio (14) per abbassare il tergilavaggio.
4. Premere l'interruttore della pompa di aspirazione (42) in posizione "I".
5. Premere l'interruttore per il controllo del diffusore d'acqua (44) in posizione "I". (Operare contemporaneamente con l'interruttore di sicurezza (1) per controllare il funzionamento dell'elettrovalvola.)
6. Tenere premuto l'interruttore di sicurezza (1) e spingere per muovere l'apparecchio. La spazzola (29) comincia a ruotare, e l'apparecchio inizia il proprio lavoro di pulitura.



CONSULTAZIONE:

Modo per spingere l'apparecchio

Una delle caratteristiche dell'apparecchio è l'installazione di due interruttori di sicurezza su entrambi i lati del manubrio. Ogni interruttore è in grado di controllare il funzionamento della spazzola in modo indipendente. Durante l'uso, ciò facilita il controllo del funzionamento dell'apparecchio. Per esperienza, il metodo per spostare la macchina mostrato a destra nella Figura 11 è il più efficace, l'utente si sente più a proprio agio con le mani e si riduce l'affaticamento. Gli utenti sono pertanto invitati a utilizzare questa modalità.

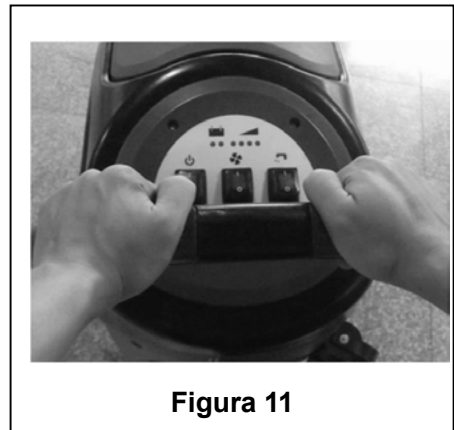


Figura 11

Spegnere l'apparecchio

7. Quando avete terminato di usare l'apparecchio, per prima cosa staccare la spazzola/coscinetto (far riferimento ai relativi passi illustrati nella sezione circa l'installazione e disinstallazione di spazzola/cuscinetto)
8. Rilasciare l'interruttore di sicurezza (1) per interrompere la spazzola/cuscinetto e l'elettrovalvola.
9. Premere l'interruttore dell'aspiratore (42) in posizione "O"; l'aspiratore ritarderà di 5 secondi prima di interrompersi.
10. Premere l'interruttore di controllo del diffusore d'acqua (44) in posizione "O" per interrompere completamente il funzionamento dell'elettrovalvola.
11. Premere l'interruttore (41) in posizione "O".
12. Usare la maniglia di sollevamento del tergilavaggio (14) per sollevare il tergilavaggio.
13. Afferrare il manubrio (2) e gentilmente rovesciare all'indietro l'apparecchio finché la ruota di guida (B) non tocca il pavimento. Vd. **Figura 12**.

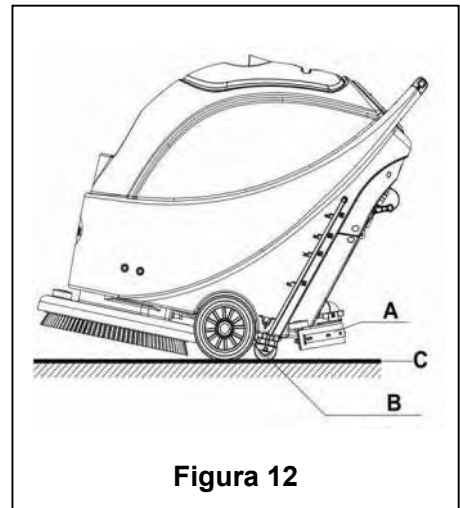


Figura 12

FUNZIONAMENTO (LAVAGGIO E ASCIUGATURA)

1. Avviare l'apparecchio come descritto sopra.
2. Tenere premuto l'interruttore di sicurezza (1) (nel modo illustrato nella **Figura 11**), spingere per muovere l'apparecchio e iniziare il lavoro di pulitura.
3. Se necessario, spegnere l'apparecchio e regolare la manopola di regolazione del tergilavaggio. (Far riferimento ai passi di regolazione del bilanciamento del tergilavaggio)
4. Se necessario, spegnere l'apparecchio e regolare il volume di flusso dell'acqua mediante la manopola dell'elettrovalvola. (Far riferimento ai passi di regolazione del volume del flusso d'acqua)

**ATTENZIONE !**

Per evitare di danneggiare il pavimento, quando l'apparecchio sta fermo in un luogo senza muoversi, si prega di spegnere l'interruttore di alimentazione (41).
Batteria scarica durante il funzionamento

- È solo quando la luce verde (38) è accesa in modalità fissa che l'alimentazione della batteria è sufficiente per il normale funzionamento dell'apparecchio.

**NOTA**

Quando tutte e quattro le luci verdi (38) sono accese, significa che la batteria è completamente carica. Quando solo l'ultima luce verde (38) è accesa e comincia a lampeggiare, significa che occorre ricaricare la batteria, perché l'apparecchio si spegnerà automaticamente in pochi minuti. Dopo che l'ultima luce verde (38) si è spenta, e la luce gialla e rossa (39 e 40) cominciano a lampeggiare, l'apparecchio si fermerà automaticamente entro pochi secondi. (Far riferimento ai passi relativi nella sezione della manutenzione).

**ATTENZIONE !**

Non utilizzare l'apparecchio quando la carica della batteria è insufficiente, per evitare di danneggiare la batteria ed abbreviarne la durata di funzionamento.

SVUOTARE IL SERBATOIO

Quando il serbatoio di raccolta è pieno, il galleggiante del dispositivo del filtro galleggiante (36) bloccherà l'ingresso di collegamento all'aspiratore. Se si verifica un improvviso aumento della rumorosità di aspirazione, significa che l'aspiratore è già sovraccarico e che è necessario svuotare immediatamente il serbatoio di raccolta.

**ATTENZIONE !**

Se l'aspiratore si spegne improvvisamente (per es. per il fatto che un movimento improvviso dell'apparecchio provoca un attivarsi del galleggiante), e se si richiede una riaccensione da parte dell'operatore, si prega di mettere in atto i seguenti passi: premere gli interruttori (41 e 42) per interrompere l'alimentazione e l'aspirazione, e aprire il coperchio del serbatoio di raccolta (25) per verificare che il galleggiante del filtro sia tornato in superficie. Quindi chiudere il coperchio del serbatoio di raccolta (25), e premere gli interruttori (41 e 42) per ristabilire alimentazione e aspirazione.

Quando il serbatoio di raccolta è pieno, seguire i seguenti passi per svuotarlo completamente.

Svuotare il serbatoio di raccolta

- Spegnere l'apparecchio.
- Utilizzando l'apposita manopola (14), sollevare il tergipavimento.
- Spostare l'apparecchio in un apposito luogo di scarico.
- Afferrare il manubrio (2) e far gentilmente inclinare l'apparecchio all'indietro finché la ruota di guida non tocca il pavimento. (Per l'inclinazione dell'apparecchio si prega di far riferimento alle procedure nella sezione dello spegnimento dell'apparecchio.)
- Estrarre il tubo di drenaggio dal gancio di fissaggio, piegare l'estremità del tubo di drenaggio (come mostrato in A, Figura 13), quindi aprire il coperchio del tubo di drenaggio, abbassare il tubo di drenaggio ad un livello inferiore o al suolo per far uscire l'acqua. In alternativa, posizionare direttamente il tubo ad un livello inferiore o al suolo per far sì che lo scarico dell'acqua sia volto verso il basso (come mostrato in B, **Figura 13**), e quindi svitare il coperchio del tubo per far uscire l'acqua dal serbatoio. Quando il drenaggio è completo, sciacquare l'interno del serbatoio con acqua pulita.

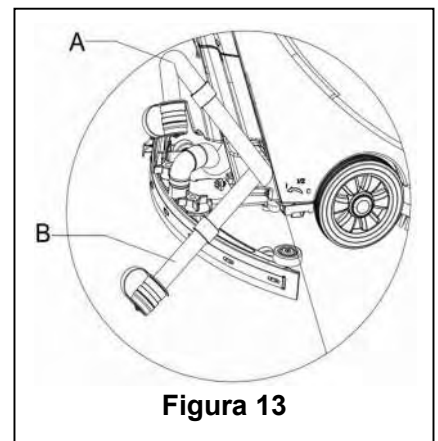
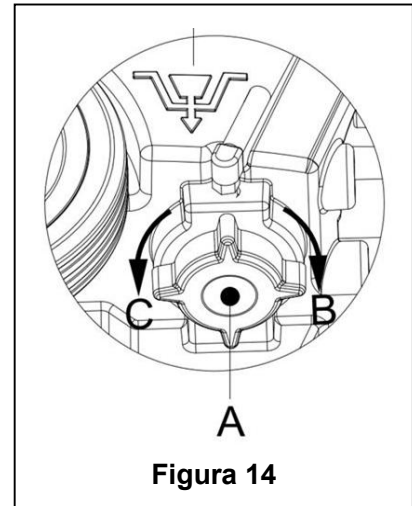


Figura 13

**ATTENZIONE!**

Durante il drenaggio, il tubo di scarico deve essere piegato o abbassato ad un livello inferiore (come mostrato nella Figura 13 A o B), e quindi aprire il coperchietto del tubo di drenaggio per farne uscire l'acqua. Fare attenzione che il tubo di drenaggio non sia rivolto verso l'alto per farne uscire l'acqua verticalmente. Ciò per evitare che l'acqua di scarico si riversi addosso all'operatore.
Svuotare il serbatoio della soluzione

6. Completare i passi da 1 a 4.
7. Come mostrato nella **Figura 14**, aprire il coperchio del Serbatoio della Soluzione (A) in senso antiorario lungo la direzione C, e svuotare il serbatoio della soluzione completamente. Sciacquare l'interno del serbatoio della soluzione con acqua pulita. Quando l'operazione è completata, stringere bene il coperchio del serbatoio della soluzione (A) in senso orario in direzione B.

**Figura 14****DOPO AVER UTILIZZATO L'APPARECCHIO**

A lavoro ultimato e prima di riporre l'apparecchio, completare i seguenti passi:

1. Seguire il procedimento descritto nella sezione precedente di installazione e disinstallazione di spazzola/cuscinetto, e togliere spazzola/cuscinetto.
2. Seguendo i procedimenti descritti nelle relative sezioni, svuotare completamente l'acqua dai serbatoi della soluzione e di raccolta.
3. Completare le procedure di manutenzione quotidiana (far riferimento alla sezione di manutenzione).
4. Riporre l'apparecchio, inclusi spazzola/cuscinetto e tergipavimento, in un luogo pulito e asciutto. Il tergipavimento dovrebbe essere sollevato e staccato.

PERIODI DI INATTIVITÀ

Se l'apparecchio non viene utilizzato per più di 30 giorni, si prega di trattarlo nel seguente modo:

1. Completare la necessaria procedura che dovrebbe essere eseguita dopo che l'apparecchio viene utilizzato.
2. Staccare il connettore (9) che collega la batteria e l'apparecchio.
3. Al fine di non danneggiare la batteria, e se l'apparecchio non deve essere utilizzato per più di 3 mesi, si prega di ricaricare la batteria almeno ogni 3 mesi.

USARE L'APPARECCHIO PER LA PRIMA VOLTA

Dopo aver usato l'apparecchio per le prime 9 ore, verificare tutti i componenti per assicurarsi che non si siano allentati o danneggiati durante il funzionamento, e verificare eventuali danni o perdite.

CURA E MANUTENZIONE

La durata e la sicurezza di massima operatività dell'apparecchio sono garantite da un'appropriata e costante cura e manutenzione.

La seguente tabella fornisce un generale piano di manutenzione. Gli intervalli di tempo sono determinati per lo più dalle condizioni di utilizzo dell'apparecchio. Tali intervalli dovrebbero essere stabiliti dal personale responsabile della manutenzione.

**AVVERTENZA!**

Queste procedure dovrebbero essere messe in atto solo dopo che l'interruttore dell'apparecchio è stato spento e la connessione tra apparecchio e batteria disattivata. Prima di procedere ad una qualsiasi di tali procedure di manutenzione si prega di studiare con attenzione le relative sezioni di sicurezza.

Tutte le procedure di manutenzione indicate nel piano e aggiuntive devono essere messe a punto da personale qualificato o da un centro di assistenza autorizzato.

Questo manuale indica solo le più semplici e comuni procedure di manutenzione. Per qualsiasi altra procedura di manutenzione pianificata oltre a quelle indicate in tabella, si prega di far riferimento al manuale di manutenzione del centro di servizi di assistenza.

TABELLA DI MANUTENZIONE PIANIFICATA

Procedura	Quotidiana dopo l'utilizzo	Settimanale	Ogni 6 mesi	Annuale
Ricaricare la batteria				
Pulire il tergipavimento				
Pulire spazzola/cuscinetto				
Pulire serbatoio e filtro del galleggiante, ispezionare i sigilli del serbatoio dell'acqua				
Ispezionare e cambiare le strisce del tergipavimento				
Pulire il filtro della soluzione				
Pulire il filtro di aspirazione				
Ispezionare il livello di liquido nella batteria WET				
Ispezionare la tenuta di viti e bulloni			(1)	
Ispezionare o cambiare la spazzola di carbone del motore di spazzola/cuscinetto				(2)
Ispezionare o cambiare la spazzola di carbone della pompa di aspirazione				(2)

(1) Dovrebbe essere fatto 9 ore dopo che l'apparecchio ha cominciato a funzionare.

(2) Queste procedure di manutenzione devono essere compiute da un Centro di Servizio autorizzato VIPER.

RICARICA DELLA BATTERIA

**NOTA**

È tempo di ricaricare la batteria ogni volta che la spia luminosa gialla o rossa si accendono, o ogni volta che si termina il lavoro.

**ATTENZIONE!**

Tenere la batteria in condizioni di completa ricarica, al fine di prolungare la durata di funzionamento della batteria.

**ATTENZIONE!**

Non appena la ricarica della batteria diventa insufficiente, la batteria deve essere ricaricata al più presto possibile. Controllare il ricaricatore almeno una volta ogni settimana.

**ATTENZIONE!**

Se l'apparecchio non è equipaggiato di ricatore incorporato, si prega di scegliere un caricatore esterno per ricaricare la batteria.

**AVVERTENZA!**

Cura particolare deve essere prestata quando si ricarica la batteria, perché ci potrebbero essere perdite di acido durante il processo di ricarica. L'acido della batteria è corrosivo. Se entra in contatto accidentalmente con pelle o occhi, sciacquare con acqua abbondante e consultare un medico.

1. Aprire il coperchio del serbatoio di raccolta (25) e controllare se il serbatoio è vuoto o no. Se non è vuoto, svuotarlo tramite il tubo di drenaggio. (15).
2. Spostare l'apparecchio in una specifica area di ricarica.
3. Premere l'interruttore (41) in posizione "O" per spegnere l'apparecchio.
4. In riferimento solo alla batteria WET ad aggiunta d'acqua:
 - Controllare il livello d'elettrolite all'interno della batteria. Se occorre, rabboccarlo dal coperchio.
 - Tenere tutti i coperchi aperti.
 - Se necessario, pulire la superficie superiore della batteria.
5. Selezionare una delle seguenti procedure per ricaricare la batteria in conformità al modello della batteria in uso.

Per ricaricare la batteria con un ricaricatore esterno

6. Verificare, in base al relativo manuale, se il ricaricatore esterno è appropriato. Il voltaggio di uscita deve essere di 24V CC.
7. Collegare il connettore della batteria al connettore esterno e il connettore esterno alla rete di alimentazione.
8. Quando la ricarica è completa, collegare il ricaricatore della batteria all'apparecchio.

Per ricaricare la batteria con un ricaricatore incorporato (opzionale)

9. Togliere il tappo di gomma alla fine del connettore del ricarica-batterie.
10. 10. Collegare l'estremità del connettore del ricarica-batterie alla rete di alimentazione. (Si prega di osservare che il voltaggio di entrata del ricaricatore incorporato di 220V – 240V, il voltaggio 24V e la frequenza corrispondano a quelle richiesta.) Quando il ricaricatore è collegato alla rete di alimentazione, tutte le altre funzioni verranno automaticamente disattivate. Se la spia luminosa rossa del ricaricatore incorporato è accesa, significa che il ricaricatore sta caricando la batteria.
11. Quando la spia luminosa verde (47) è accesa, significa che la ricarica è stata completata.
12. Quando la ricarica è completa, staccare il cavo di connessione dall'estremità del ricaricatore della **rete di alimentazione**, e dalla rete, e riposizionare il coperchio di gomma.
13. Scollegare il cavo del ricaricatore dalla rete di alimentazione, e arrotolare il cavo al supporto (6).

**NOTA**

Se si necessita di ulteriori informazioni a proposito del ricaricatore incorporato (35), si prega di far riferimento al relativo manuale.

PULIZIA DEL TERGIPAVIMENTO**NOTA**

Al fine di mantenere prestazioni ottimali dell'aspiratore, il tergipavimento deve essere tenuto pulito, e la lama del tergipavimento deve restare in buone condizioni.

**ATTENZIONE !**

Durante la pulizia del tergipavimento, si raccomanda di indossare guanti protettivi poiché il tergipavimento potrebbe contenere frammenti acuminati.

1. Spostare l'apparecchio su una superficie piatta e uniforme.
2. Premere l'interruttore (41) in posizione "O" per spegnere l'apparecchio.
3. Svitare il pomo di fissaggio (16) del tergipavimento; staccare il connettore che collega il tubo di drenaggio del tergipavimento, e staccare il tergipavimento.
4. Usare la manopola di sollevamento del tergipavimento (14) per sollevare il telaio di supporto del tergipavimento.
5. Pulire il tergipavimento (**Figura 15**). Pulire in particolare la scanalatura (**A, Figura 15**) e rimuovere sporcizia e frammenti dal tubo di aspirazione. Verificare che la lama frontale del tergipavimento (C) e la lama posteriore del tergipavimento (D) siano intatte, e se ci sono bordi incrinati o fessure. Cambiarli se necessario (fare riferimento ai passi nella sezione successiva).
6. Re-installare il tergipavimento in ordine inverso a quello illustrato sopra.

VERIFICA E SOSTITUZIONE DELLA LAMA DEL TERGIPAVIMENTO

1. Seguire le modalità riportate nella sezione precedente per pulire il tergipavimento (**Figura 15**).
2. Verificare il bordo (**E, Figura 15**) della lama frontale del tergipavimento e il bordo (F) della lama posteriore del tergipavimento (D). Lungo l'intera lunghezza, dovrebbero essere allo stesso livello. Altrimenti, regolarne le altezze attraverso la seguente procedura.
 - Aprire il gancio (G) per far sì che la lama posteriore (D) si stacchi dal supporto (M) per la regolazione della posizione del tergipavimento. Quindi bloccare di nuovo il gancio.
 - Allentare la manopola (I) per regolare la lama anteriore (C); stringerla dopo la regolazione.
3. Verificare se la lama frontale (C) e la lama posteriore del tergipavimento (D) sono intatte e se vi sono incrinature o fessure. Se necessario, cambiarle nel seguente modo. Verificare se il bordo frontale della lama posteriore (J) è usurato. Se usurato, può essere installato capovolto (il bordo

superiore deve essere intatto). Se anche il bordo superiore è usurato, sostituirlo seguendo la procedura qui di seguito:

- Allentare il gancio (G) per far sì che la lama di pressione si separi dalla staffa (M), togliere la barra di aggancio (K), quindi cambiare o capovolgere la lama posteriore (D) del tergipavimento. Re-installare la lama posteriore in ordine opposto a quello della rimozione.
 - Allentare la manopola (I) e staccare la barra di aggancio (L), quindi cambiare la lama frontale del tergipavimento (C). Re-installare la lama frontale in ordine opposto a quello della rimozione. Dopo aver cambiato la lama (o averla capovolta), regolare il livello delle lame frontale e posteriore seguendo le procedure come descritto sopra.
4. Collegare il tubo di aspirazione (11) al tergipavimento.
 5. Installare il tergipavimento e usare la manopola (16) per stringerlo, quindi collegare il tubo di aspirazione al tergipavimento.
 6. Se necessario, regolare il tergipavimento per mezzo dell'apposita manopola di regolazione (20). (Far riferimento alle procedure di regolazione del bilanciamento del tergipavimento).

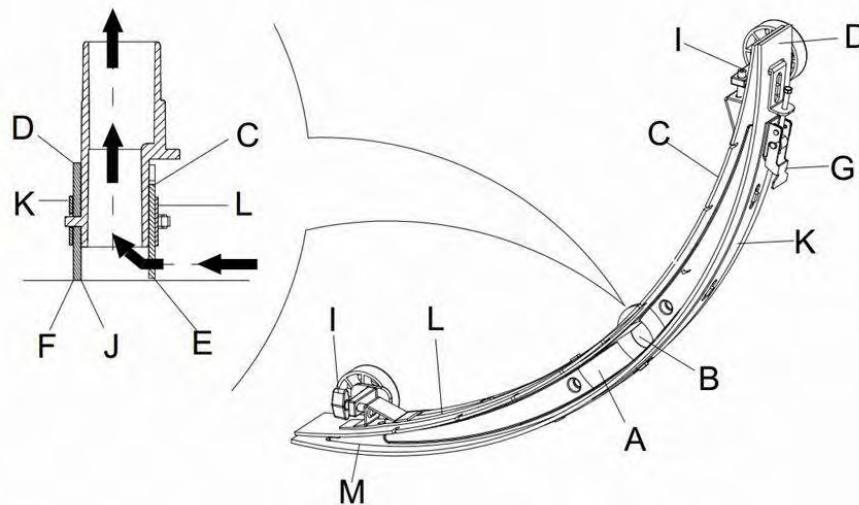


Figura 15

PULITURA DI SPAZZOLA/CUSCINETTO



ATTENZIONE!

Durante la pulizia di spazzola/cuscinetto, è raccomandato l'uso di guanti di protezione, poiché potrebbero contenere frammenti acuminati.

1. Staccare spazzola/cuscinetto, secondo le modalità indicate nella sezione precedente.
2. Con l'uso di acqua e detersivi, pulire spazzola/cuscinetto.
3. Verificare l'integrità e le condizioni di usura delle setole e, se necessario, sostituire la spazzola.
4. Verificare le condizioni di usura del cuscinetto e, se necessario, sostituire il cuscinetto.

PULITURA DEL SERBATOIO E DEL FILTRO DEL GALLEGGIANTE

1. Spostare l'apparecchio in un apposito luogo di scarico.
2. Premere l'interruttore (41) in posizione "O" per spegnere l'apparecchio.
3. Aprire il coperchio del serbatoio di raccolta (A, Figura 15), e togliere il galleggiante (36) dal serbatoio di raccolta.
4. Usare acqua pulita per sciacquare il coperchio del serbatoio di raccolta (A), il serbatoio (B e C), e il telaio di supporto del filtro (E). Per mezzo del tubo di drenaggio (16), far uscire l'acqua dal serbatoio di raccolta.
5. Se necessario, seguendo i simboli "Aperto" e "Chiuso" come indicato nella Figura 16, aprire il serbatoio sul fondo (F) del filtro e pulire il galleggiante (D), il telaio di supporto del filtro (E), e il filtro di spugna (I). Dopo la pulizia, fissare il galleggiante al telaio di supporto del filtro (E), e poi allineare la scanalatura (L) del coperchio del fondo (F) del filtro galleggiante con la scanalatura (L) del telaio di supporto del filtro (E). Avvitare strettamente il coperchio (F) del filtro del galleggiante, e fissare il filtro di spugna (I) al telaio di supporto del filtro (E), e quindi al tubo di aspirazione (M).

- Verificare l'efficacia della guarnizione di chiusura (G) del serbatoio di raccolta.

**NOTA**

La guarnizione di chiusura (G) del serbatoio di raccolta fa sì che nel serbatoio si crei un vuoto. Il serbatoio deve essere completamente sigillato perché sia in grado di aspirare con efficacia l'acqua dal pavimento.

Se necessario, la guarnizione di chiusura del serbatoio di raccolta (G) può essere estratta dalla scanalatura (H) e sostituita. Nell'assemblare un nuovo serbatoio di raccolta, come mostrato nella **Figura 16** sotto, installare il connettore nella sezione mediana della parte posteriore.

- Verificare che la superficie di inserimento della guarnizione di chiusura (G) sia intatta e la sigillatura sia efficace.
- Chiudere il coperchio del serbatoio di raccolta (A).

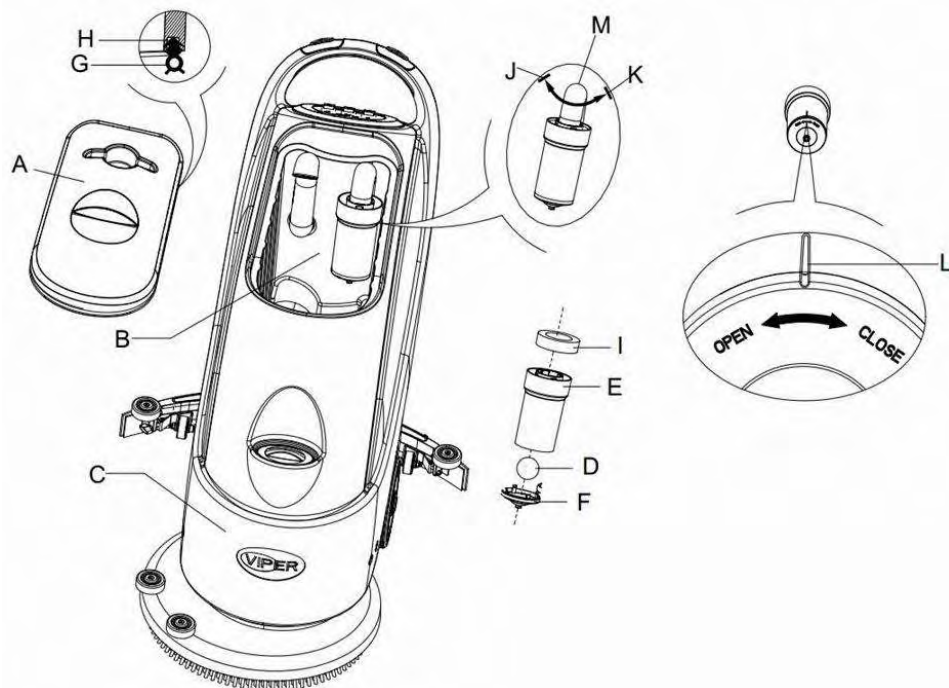


Figura 16

PULIZIA DEL FILTRO DI SOLUZIONE

- Togliere l'acqua dal serbatoio della Soluzione nel modo spiegato nelle relative sezioni.
- Spostare l'apparecchio su una superficie piatta e liscia.
- Premere l'interruttore (41) in posizione "O" per spegnere l'apparecchio.
- Chiudere la valvola di drenaggio (A, **Figura 17**) (situata sul fondo dell'apparecchio, dietro le ruote). Posizione B valvola aperta, posizione C valvola chiusa.
- Togliere il coperchio trasparente (D), e quindi estrarre il filtro (E), e collocarli nella scatola del filtro (F) dopo averli puliti.

**NOTA**

Il filtro (E) deve essere accuratamente collocato nella posizione indicata nella proiezione (G).

- Aprire la valvola di drenaggio (A).

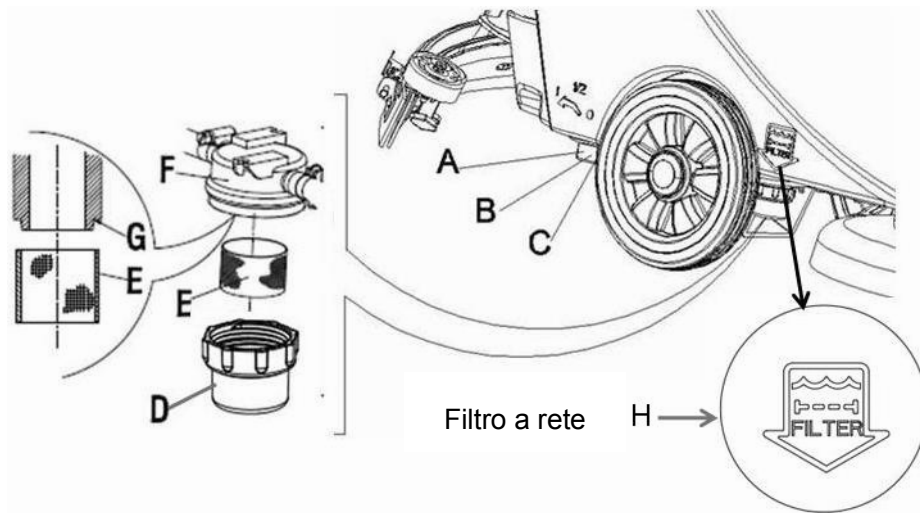
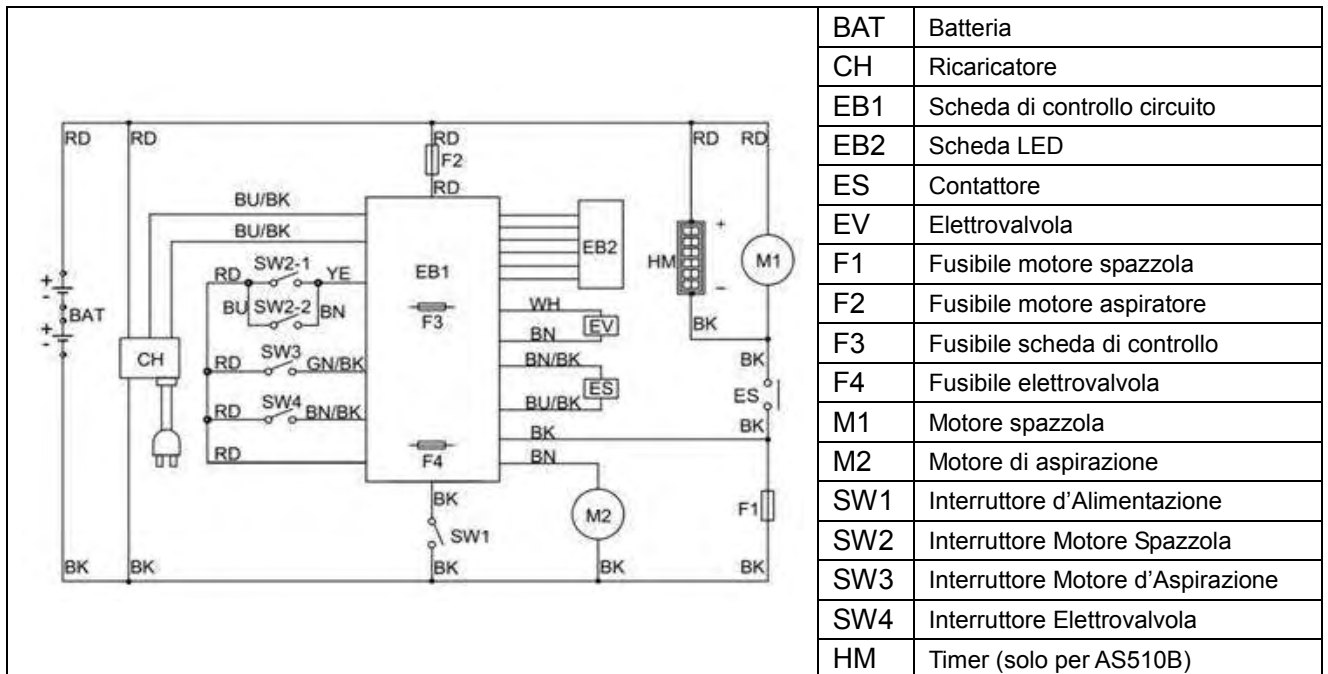


Figura 17

SCHEMA DEL CIRCUITO AS430B E AS510B



CODICE COLORI

RD = Rosso	BN = Marrone	BU/BK = Blu/Nero
BU = Blu	YE = Giallo	GN/BK = Verde/Nero
BK = Nero	WH = Bianco	BN/BK = Marrone/Nero

RISOLUZIONE DEI PROBLEMI

GUASTO	PROBABILE CAUSA	SOLUZIONE
L'apparecchio non funziona: Spia luminosa spenta	Il cavo batteria (9) non è collegato.	Collegare il cavo della batteria.
	La batteria è scarica.	Ricaricare la batteria.
Luci di allarme (39 e 40) lampeggianti	Il motore della spazzola è sovraccarico	Cambiare la spazzola con quella morbida per adattarla al pavimento da pulire.
	Altri materiali impediscono la rotazione della spazzola.	Pulire la spazzola.
La spazzola non funziona	Fusibile spazzole scattato	Resettare
	La cinghia slitta	Verificare la cinghia, regolarne la tensione.
L'aspiratore non funziona	Fusibile aspiratore scattato	Resettare
L'aspirazione non è efficace	Il serbatoio di raccolta è pieno.	Svuotare il serbatoio.
	Tubo di aspirazione e tergipavimento non sono correttamente collegati	Collegare il tubo di aspirazione con il tergipavimento
	Filtro o bocchetta d' aspirazione bloccati	Pulire il filtro, verificare il galleggiante
	Tergipavimento sporco o con lama consumata o danneggiata	Clean and check the squeegee
	Coerchio del serbatoio di raccolta non adeguatamente chiuso, o guarnizione di chiusura danneggiata	Riposizionare correttamente il coperchio, cambiare guarnizione di chiusura del serbatoio
Insufficiente quantità di acqua in arrivo alla spazzola	Filtro sporco.	Pulire il filtro
Il tergipavimento lascia tracce	Presenza di frammenti sotto la lama del tergipavimento	Rimuovere i frammenti
	Lama del tergipavimento consumata, incrinata, fragile	Sostituire la lama del tergipavimento
	Lama del tergipavimento non bilanciata	Regolare il bilanciamento



NOTA

Se l'apparecchio è equipaggiato dell'opzionale ricaricatore incorporato, e il ricaricatore dovessero risultare difettoso, l'apparecchio non è in grado di funzionare. Se il ricaricatore incorporato è difettoso, si prega di contattare un centro di manutenzione autorizzato. Per ulteriori informazioni, si prega di far riferimento al manuale di manutenzione (disponibile presso tutti i centri di assistenza VIPER)

SMALTIMENTO DELL'APPARECCHIO

Utilizzare apposite macchine di frantumazione per distruggere l'apparecchio.

Prima di distruggerlo, si prega di staccare e di mettere da parte i seguenti materiali che, in accordo alle relative leggi e disposizioni, devono essere adeguatamente trattati.

- Batteria
- Spazzola/cuscinetto
- Tubi e componenti in plastica
- Componenti elettrici ed elettronici (*)

(*): si prega di contattare il Centro VIPER più vicino (specie qualora sia richiesta la rottamezione di componenti elettrici o elettronici).

TABLA DE CONTENIDOS

INTRODUCCIÓN.....	93
CONTENIDO DEL MANUAL.....	93
OBJETIVO.....	93
PIEZAS DE REPUESTO Y MANTENIMIENTO.....	93
CAMBIOS Y MEJORAS.....	93
ÁMBITO DE APLICACIÓN.....	93
DESEMBALAJE/TRANSPORTE.....	93
GUÍAS GENERALES DE SEGURIDAD.....	94
DATOSTÉCNICOS.....	95
DESCRIPCIÓN DE LA MÁQUINA.....	95
CONSTRUCCIÓN DE LA MÁQUINA.....	95
PANEL DE CONTROL.....	96
PANTALLA DE VISUALIZACIÓN DE LA INDICACIÓN DE CARGA.....	97
GUÍA PARA EL MANEJO.....	97
INSTALACIÓN Y CONFIGURACIÓN DE LA BATERÍA EN LA NUEVA MÁQUINA.....	97
INSTALACIÓN Y AJUSTE DE LA BATERÍA SEGÚN SU TIPO (HÚMEDA O DE GEL/AGM).....	98
ANTES DE PONER EN MARCHA.....	99
INSTALACIÓN Y DESCARGA EL CEPILLO/ PANEL DE LA ALMOHADILLA.....	99
AJUSTAR EL BALANCE DE LA ESCOBILLA DE GOMA.....	100
REGULAR EL VOLUMEN DEL FLUJO DE AGUA.....	101
MARCHA Y PARADA DE LA MÁQUINA.....	101
FUNCIONAMIENTO DE LA MÁQUINA (FREGADO Y SECADO).....	102
DESAGÜE DE LOS DEPÓSITOS.....	102
DESPUÉS DE UTILIZAR LA MÁQUINA.....	103
PERÍODOS DE INACTIVIDAD.....	103
USAR POR PRIMERA VEZ.....	104
MANTENIMIENTO Y LIMPIEZA.....	104
TABLA DE MANTENIMIENTO PROGRAMADO.....	104
CARGAR LA BATERÍA.....	104
LIMPIEZA DE LA ESCOBILLA DE GOMA.....	105
INSPECCIÓN Y SUSTITUCIÓN DE LA ESCOBILLA DE GOMA.....	106
LIMPIEZA DEL CEPILLO/ALMOHADILLA.....	107
LIMPIEZA DEL DEPÓSITO DE DISOLUCIÓN Y DEL FILTRO DEL FLOTADOR.....	107
LIMPIEZA DEL FILTRO DE LA SOLUCIÓN.....	108
DIAGRAMA DEL CIRCUITO DE AS430B Y AS510B.....	109
RESOLUCIÓN DE PROBLEMAS.....	110
RECICLAJE DE LA MÁQUINA.....	110

INTRODUCCIÓN



NOTA

Los números que entre paréntesis hacen referencia a los componentes que se muestran en la sección Descripción de la Máquina.

CONTENIDO DEL MANUAL

Este manual tiene por objeto proporcionar al operador con toda la información necesaria para usar la máquina de manera adecuada y segura. Contiene información sobre los datos técnicos, seguridad, manejo, almacenamiento, mantenimiento, piezas de repuesto y reciclaje. Antes de efectuar cualquier procedimiento con la máquina, los operadores y técnicos calificados deben leer este manual atentamente. Póngase en contacto con Viper en caso de dudas acerca de la interpretación de las instrucciones o para obtener más información.

OBJETIVO

Este manual va dirigido a operadores y personal técnico calificado a efectuar las obras de mantenimiento de la máquina.

Los operadores no deben efectuar procedimientos, reservados solamente para el personal técnico. Viper no responde por daños ocasionados por el incumplimiento de esta observación. Viper no será responsable de los daños que puedan resultar de la violación de esta regla.

PIEZAS DE REPUESTO Y MANTENIMIENTO

Todos los procedimientos necesarios de manejo, mantenimiento y reparación deben efectuarse solamente por el personal técnico de los Centros de Servicio de Viper.

Sólo se permite el uso de accesorios y piezas de repuesto originales.

Póngase en contacto con Viper para solicitar servicio o para encargar piezas de repuesto o accesorios, especificando el modelo y número de serie de la máquina.

CAMBIOS Y MEJORAS

Viper constantemente sigue mejorando sus productos. Viper se reserva el derecho de hacer cambios o mejoras a su discreción y sin que sea necesario aplicar tales mejoras sobre las máquinas ya vendidas. Cualquier cambio y/o adición de accesorios debe ser aprobada y realizada por Viper.

ÁMBITO DE APLICACIÓN

La fregadora está destinada al uso doméstico y comercial, siendo apropiada para la limpieza de suelos duros y lisos (fregado y recogida del agua de desecho). Se debe utilizar por un personal calificado y en un entorno seguro. La fregadora no se puede usar para la limpieza al aire libre, sobre alfombras o suelos relativamente gruesos.

DESEMBALAJE/TRANSPORTE

Para desembalar la máquina, siga cuidadosamente las instrucciones en el empaque.

A la hora de la entrega, compruebe que el embalaje y el equipo no sufrieron daños durante el transporte. En caso de daños visibles, guarde el envase y solicite que el transportista lo revise y componga una lista detallada de los daños para la indemnización.

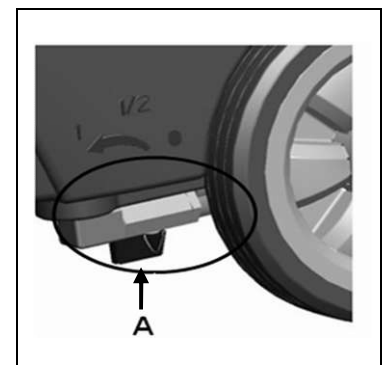


— PRECAUCIÓN

Al desembalar y descargar, o al llevar la máquina sobre un terreno con escalones, tenga cuidado de no golpear el interruptor de encendido/apagado que regula el flujo de agua, Parte A en la figura a la derecha.

Compruebe si la máquina está equipada con los siguientes elementos

1. Documentos técnicos
 - Manual del Usuario de la Máquina de Fregar
 - Manual del Cargador de a Bordo (si está incluido)
2. Conector para el Cargador (si no está incluido un cargador de a bordo, sirve para el cargador externo específico)



GUÍAS GENERALES DE SEGURIDAD

Las siguientes son advertencias y avisos sobre posibles daños (personal y máquina):



¡ADVERTENCIA!

- La máquina se debe utilizar solamente bajo la dirección de este manual. Utilice únicamente accesorios aprobados por Víper.
- El dispositivo sólo debe ser utilizado por personas que hayan sido instruidas y habilitadas en su manejo. El aparato no está diseñado para ser utilizado por niños o personas no apropiadas.
- En condiciones de uso normal, la batería puede desprender gases inflamables. Mantenga la batería lejos de materiales radiantes, iluminadores o ardientes, y también de chispas. A la hora de usar la máquina, por favor asegúrese de que el área sea bien ventilado y alejado de llamas abiertas. No fume mientras se cargan las baterías.
- Por favor desconecte la batería antes de ejecutar cualquier trabajo de mantenimiento/repatación.
- Antes de usar el cargador de a bordo, por favor asegúrese de que los valores de tensión y frecuencia en el adhesivo con el número de serie correspondan a los de la red.
- No use joyas mientras trabaja con o cerca de partes eléctricas. Tome todas las medidas de precaución para evitar que el cabello, joyas o ropa suelta queden atrapados entre las partes móviles de la máquina.
- Favor de no manejar la máquina en áreas excesivamente sucias. No lave la máquina directamente con agua. No deje que la máquina entre en contacto con líquidos corrosivos.
- La temperatura de almacenamiento y para el entorno de trabajo de la máquina debe estar comprendida entre los 0 - 40°C.
- La humedad del aire debe oscilar entre 30% - 105%.
- Por favor no utilice la máquina en superficies con una pendiente superior al 2 %.
- En caso de incendio utilice un extintor de polvo, no de agua. No use extintores líquidos.
- Tenga cuidado a la hora de transportar la máquina cuando la temperatura está por debajo del punto de congelación. El agua en el depósito del agua de recuperación o en los tubos, podría congelarse y dañar la máquina.
- Use cepillos y almohadillas suministradas con la máquina y tales especificados en el Manual del Usuario. El uso de otros cepillos o almohadillas podría reducir la seguridad.
- En caso de mal funcionamiento de la máquina, asegúrese de que la causa no se la falta de mantenimiento. Si es causado por otras condiciones, por favor, buscar la ayuda de personal autorizado o al Centro de Servicios.
- Si se confirma que las piezas de repuesto deben ser reemplazados, por favor asegurar las piezas originales de los distribuidores autorizados o agentes.
- Con el fin de garantizar el funcionamiento seguro y correcto de la máquina, por favor, deje que el personal autorizado o el Centro de Servicios realicen el mantenimiento programado de acuerdo con los programas de mantenimiento de las secciones correspondientes del manual.
- Esta máquina debe desecharse de forma adecuada ya que pueden existir residuos tóxicos y peligrosos (pilas, etc), y éstos se deben tirar en los centros de disposición especiales, de conformidad con las leyes y reglamentos relevantes (por favor refiérase a la sección de eliminación de la máquina).

DATOSTÉCNICOS

Modelo	AS430B	AS510B
Altura máquina	980mm	
Capacidad del depósito de disolución/agua	40 l	
Capacidad del tanque de recuperación	40 l	
Diámetro de la rueda delantera	200mm	
Diámetro de la rueda trasera	76mm	
Potencia del motor de aspiración	350w	
Pendientes	2%(Max)	
Nivel de presión acústica en el puesto de trabajo	70dB(A) ±3dB(A)	
Baterías estándar	(2×12V) 24V 85Ah AGM	(2×12V) 24V 105Ah AGM
Tamaño del compartimiento de las baterías	340 x 330 x 260mm(Max)	
Capacidad de circuito de aspiración	1200 mm H ₂ O	
Anchura de limpieza	430mm	510mm
Anchura de la escobilla de goma	730mm	790mm
Longitud máxima de la maquina	1060mm	1100mm
Anchura de la máquina sin la escobilla de goma	480mm	540mm
Diámetro del cepillo	430mm	510mm
Peso sin las baterías y con los tanques vacíos	112kg	128kg
Peso bruto de la máquina lista para su uso	152kg	168kg
Potencia del motor del cepillo	550W	560W
Velocidad de rotación del cepillo	150rpm	
Presión del cepillo/soporte de la almohadilla	30kg (Max)	35kg(Max)
Tamaño de empaque (Lx W x H)	1200 x 610 x 1170mm	

DESCRIPCIÓN DE LA MÁQUINA**CONSTRUCCIÓN DE LA MÁQUINA**

1. Interruptor de Seguridad
2. Manillar
3. Panel de Control
4. Placa de número de serie/Datos Técnicos / Certificado de Conformidad
5. Tapa de Control
6. Portacables (*)
7. Indicación de la carga de la batería
8. Interruptor de Reinicio
9. Conector de la batería
10. Cubierta de la batería
11. Tubo de vaciar los residuos
12. Cordón de arrastre de la escobilla de goma
13. Cubierta de seguridad para el conector de la batería
14. Palanca de elevación de la escobilla de goma
15. Manguera de vaciado
16. Botón fijo de la escobilla de goma
17. Gancho de la escobilla de goma
18. Lámina de la escobilla de goma
19. Bastidor de soporte de la escobilla de goma
20. Volante de ajuste de la escobilla de goma
21. Bastidor de soporte trasero de la escobilla de goma
22. Bastidor de soporte delantero de la escobilla de goma
23. Ventosa de sujeción
24. Mango de la tapa del tanque de recuperación
25. Tapa del tanque de recuperación
26. Cuerpo del tanque
27. Tapa de la entrada de agua
28. Plataforma del cepillo
29. Panel de la almohadilla
30. Motor de aspiración
31. Motor del cepillo
32. Rueda de 8"
33. Batería
34. manguera de aspiración
35. Cargador (*)
36. Filtro flotador
37. Tubo de control del nivel de agua (indica la cantidad de agua en el Depósito de Disolución)

(*) se aplica solamente en máquinas que tienen instalado un cargador de a bordo (opcional)

FIGURAS DE LA CONSTRUCCIÓN DE LA MÁQUINA

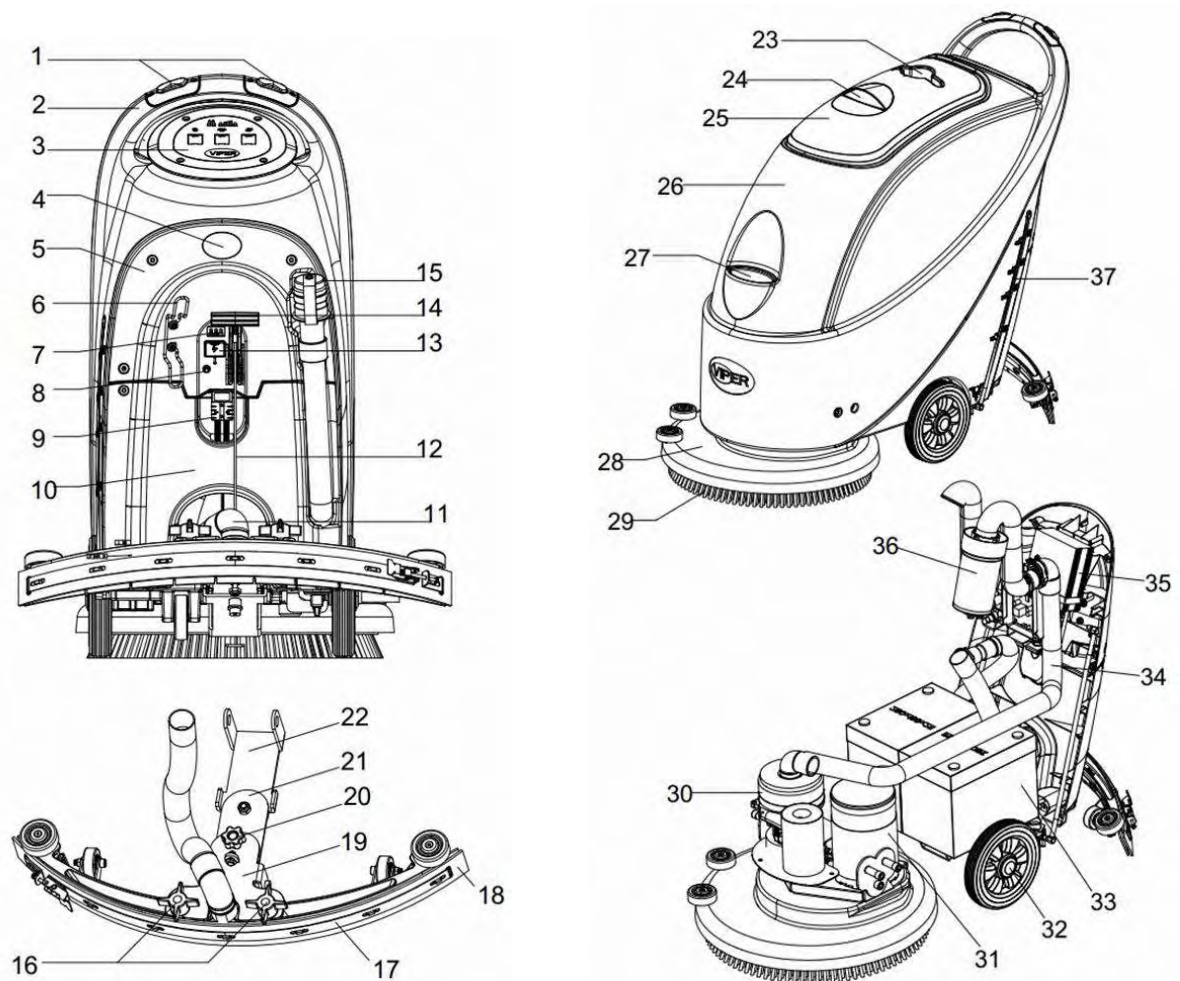


Figura 1

PANEL DE CONTROL (Figura2)

- 38. Indicación de la carga de batería (verde cuando está saturada)
- 39. Indicación de batería agotada (roja)
- 40. Indicación de batería agotada (roja)
- 41. Interruptor de Encendido
- 42. Interruptor de Encendido de la aspiración
- 43. Temporizador (opcional, se usa para registrar el tiempo de trabajo del cepillo)
- 44. Interruptor de válvula solenoide para controlar la pulverización del agua

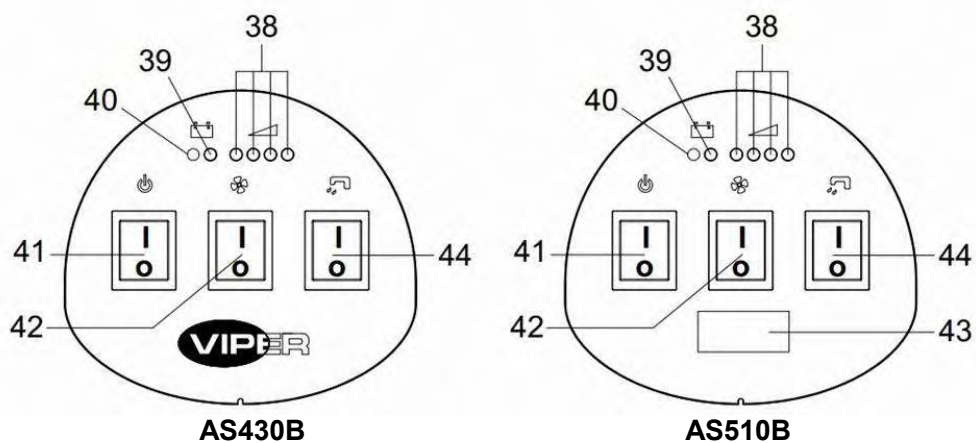
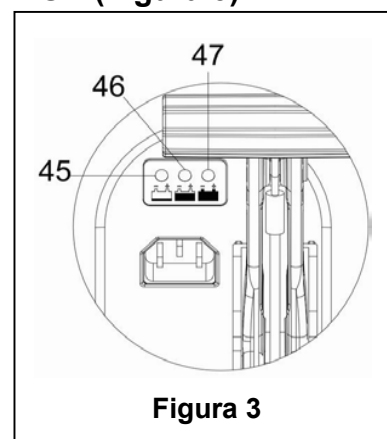


Figura 2

PANTALLA DE VISUALIZACIÓN DE LA INDICACIÓN DE CARGA (Figura 3)

(Opcional, aplicable en modelos con cargador incorporado)

1. Al iniciarse la carga, la indicación roja del cargador (45) parpadea varias veces y luego se estabiliza para convertirse en una indicación permanente, entrando en la primera etapa de la carga.
2. Después de cargar durante cierto período, la indicación roja del cargador (45) se apagará, una indicación amarilla (46) se iluminará permanentemente, entrando en la segunda etapa de la carga.
3. Después de la carga durante aproximadamente 10 horas, la indicación ámbar (46) se apagará, la indicación verde (47) se iluminará permanentemente, indicando que la batería está llena y la carga está completa.



NOTA

- 1) Durante la carga, si la indicación amarilla parpadea: el tipo de la batería no está compatible con el cargador, o la batería no está conectada correctamente, o se ha producido un cortocircuito en el terminal de salida.
- 2) Si la indicación roja está parpadando: se ha producido un cortocircuito dentro del cargador. (Para obtener más detalles, por favor refiérase a las secciones correspondientes en las instrucciones del cargador.)

GUÍA PARA EL MANEJO



¡ADVERTENCIA!

En varios puntos de la máquina hay unas placas adhesivas que indican:

- PELIGRO
- ADVERTENCIA
- PRECAUCIÓN
- CONSULTA

Durante la lectura de este manual, el operador debe prestar especial atención a los símbolos que aparecen en las placas.

No cubra estas placas bajo ninguna circunstancia. Si están deterioradas, reemplácelas de inmediato.

INSTALACIÓN Y CONFIGURACIÓN DE LA BATERÍA EN LA NUEVA MÁQUINA



¡ADVERTENCIA!

Los componentes eléctricos de la máquina pueden dañarse seriamente si las baterías están mal instaladas o conectadas. Las baterías deben ser instaladas por personal cualificado. Ajuste la tarjeta electrónica de control y el cargador de baterías (opcional) según el número del modelo de la batería que se utiliza (HÚMEDA o DE GEL).

Compruebe que las baterías no están deterioradas antes de instalarlas.

Desconecte el conector de la batería y el enchufe del cargador.

Manipule las baterías con cuidado.

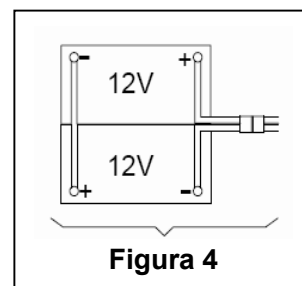
La máquina requiere dos baterías de 12 V. Por favor conéctelas como se indica

en **Figura 4** a la derecha.

Esta máquina puede suministrar cualquiera de los siguientes modelos:

a) Baterías (HÚMEDA o DE GEL/ AGM) ya están instaladas y se pueden utilizar en cualquier momento.

1. Compruebe la batería. Conecte la batería a la máquina por medio del conector (9).
2. (Sólo aplicable a los modelos AS430B y AS510B): Presione el interruptor de encendido (41)



hacia abajo. Si se enciende la luz verde, la batería está lista para usar.
Si se enciende la luz ámbar, hay que recargar la batería. (Consulte la sección de mantenimiento para los procedimientos apropiados).

b) Sin baterías

1. Compre baterías similares (véase la sección de Parámetros Técnicos) Más información sobre la selección de la batería puede obtenerse de distribuidores calificados de baterías.
2. Ajuste la máquina y el cargador de a bordo (si lo hay) según el tipo de baterías (húmedas o de gel). También lea el siguiente párrafo acerca de la manera de instalar la batería.

INSTALACIÓN Y AJUSTE DE LA BATERÍA SEGÚN SU TIPO (HÚMEDA O DE GEL/AGM)

De acuerdo con el tipo de batería (WET o GEL / AGM) establecer el circuito eléctrico en el cargador de a bordo. Los procedimientos aplicados son los siguientes:

1. Asegúrese de que el conector de la batería esté desconectado. Si la máquina se basa en la batería tipo "AGM" en el momento de la salida de fábrica, vaya directamente al paso 8, de lo contrario, complete los pasos 2, 3 y 4.
2. Retire la manguera de drenaje (15)
3. Si la máquina está equipada con un cargador de a bordo, por favor, quite el cable de carga de la bobina.
4. Retire la tapa de control (5) y los tornillos de la tapa de la batería (10). Quite los tornillos de la plataforma del PCB. El interruptor DIP (B) de configuración del modelo de la batería puede ser visto al dar la vuelta al circuito PCB. (véase la **Figura 5**)
5. Ajuste el interruptor DIP micro (B) a la posición de "HÚMEDO".
6. Complete los pasos 3, 4 y 5 en orden inverso.

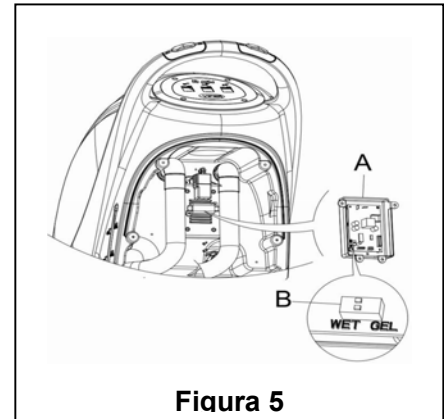


Figura 5

Instalación de las baterías

7. Desconecte el conector de la batería (9) .
8. Abra la tapa del tanque de recuperación (25) y compruebe si el tanque de está vacío o no, vacíelo usando la manguera de vaciado (15).
9. Desenrosque el botón fijo de la escobilla de goma (16), desmonte el conector que junta el tubo de vaciar los residuos (11) con la escobilla de goma, luego retire la escobilla de goma.
10. Desatornille los tornillos de la cubierta de la batería (10) y quite la cubierta.
11. Desenrosque el conector del cordón de arrastre de la escobilla de goma (12) unido al soporte de la escobilla (19) y cuelgue el cordón de arrastre hacia arriba.
12. Cuelgue la manguera de vaciado (15) y el tubo de vaciar los residuos (11) hacia arriba.
13. Conforme al tamaño de la batería, empuje la placa de fijación en la caja de las baterías lo más adentro posible.



NOTA

Las dimensiones de la batería no deben exceder: H x W x H: 330mm x 170mm x 260mm. Según las diferentes dimensiones de las baterías, los criterios de selección de baterías fijas son los siguientes:

- 1) Para batería con una longitud inferior a los 270 mm, utilice 2 piezas de la placa de fijación (**B, Figura 6**) y colóquelas una al lado de la otra dentro de la batería de tanque de agua;
- 2) Para batería con una longitud entre 310mm-270mm, use 1 pieza de la placa de fijación (**B, Figura 6**) y colóquelas dentro de la batería de tanque de agua;
- 3) Para batería con una longitud entre 330mm -310mm, la placa de fijación no será necesaria.

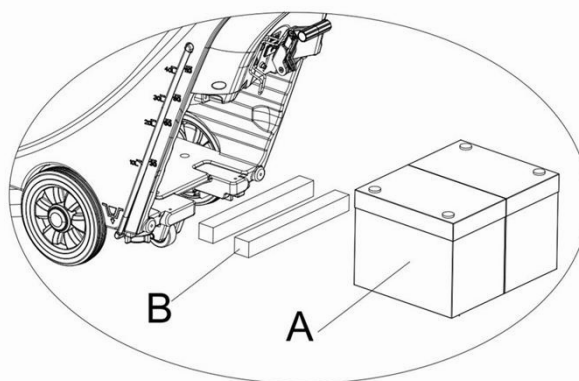


Figura 6

14. Instale la batería con las herramientas especiales de montaje de baterías (A, Figura 7). Una vez que la batería esté instalada, retire la herramienta de montaje e instale el soporte de fijación de la batería (B, Figura 7).

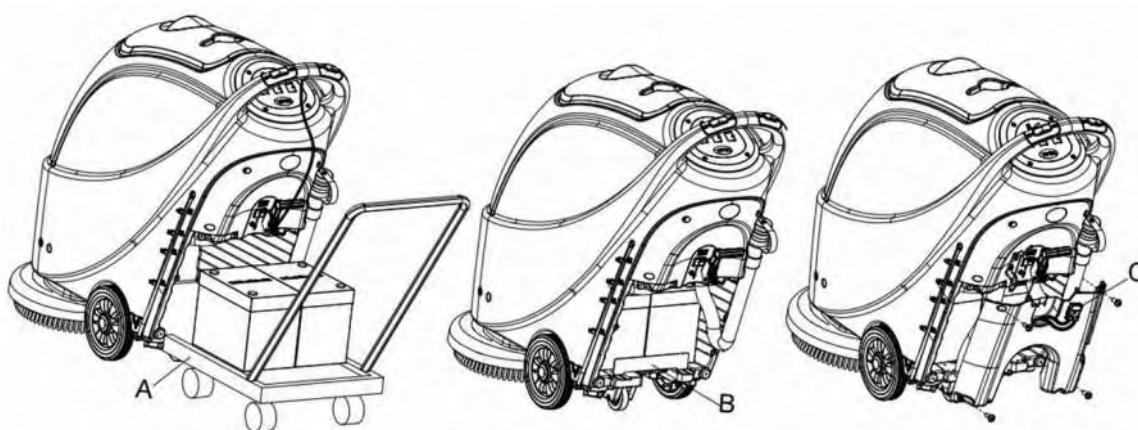


Figura 7

15. Inserte el conector de la batería (C, Figura 7) a través del agujero en la parte superior de la tapa de la caja de baterías, introduzca la manguera de vaciado a través del agujero que está a la derecha de la tapa de la caja de baterías, fije la caja de las baterías por medio de 4 tornillos, luego instale el cordón de arrastre de la escobilla de goma, la manguera de vaciado y la escobilla de goma, sucesivamente.

Cargar la batería

16. Para cargar la batería (refiérase a los pasos descritos en la sección Mantenimiento).

ANTES DE PONER EN MARCHA

INSTALACIÓN Y DESCARGA EL CEPILLO/ PANEL DE LA ALMOHADILLA



NOTA

Conforme al tipo de suelo a limpiar, la máquina puede ser instalada con el cepillo (Figura 8, A), o el panel de la almohadilla (Figura 8, B y C).



¡PRECAUCIÓN!

A la hora de instalar o descargar el cepillo/panel de la almohadilla a mano, primero verifique si todos los interruptores están en posición de apagado, luego levante la escobilla de goma del suelo y sólo después se puede poner a manejar el cepillo/panel de la almohadilla. Además, use guantes protectores para evitar cortaduras causadas por los fragmentos.

1. (Sólo aplicable a los modelo AS430B y AS510B): asegúrese de que el interruptor (41) está en posición de desconectado (O).
2. Presione el manillar (2) hacia abajo para levantar el cuerpo del tanque (26).
3. Coloque el cepillo (A) o el panel de la almohadilla (B – C) debajo del estuche.
4. Use el manillar (2) para bajar el cuerpo del tanque (26) hasta que entre en contacto con el cepillo o el panel de la almohadilla.
5. Para instalar el cepillo/el panel de la almohadilla automáticamente, gire el interruptor de encendido (41) a la posición "I" y presione el interruptor de seguridad (1) hacia abajo. Empuje suavemente la máquina hacia delante para permitir que la rueda de correa en la parte inferior del cuerpo del tanque se alinee con el cepillo o el panel de la almohadilla que se puede instalar a continuación. Luego libere el interruptor de seguridad. Si hace falta, repita los procedimientos hasta que el cepillo/el panel de la almohadilla estén montados.
6. Si el paso 5 le resulta difícil, use el método manual siguiendo la punta de flecha (D) para instalar el cepillo/el panel de la almohadilla (como indica la **Figura 8**).
7. Para descargar el cepillo/el panel de la almohadilla automáticamente, gire el interruptor de encendido (41) a la posición "O". Sujete el manillar con la mano y presione la máquina hacia abajo hasta que la rueda de guía toque el suelo y el cepillo/el panel de la almohadilla quede colgando en el aire. Gire el interruptor de encendido a la posición "I" y presione el interruptor de seguridad para que el cepillo/el panel de la almohadilla caigan al suelo.
8. Si el paso 5 le resulta difícil, use el método manual que consiste en girar el cepillo/el panel de la almohadilla en la dirección opuesta a la normal y éste quedará desmontado. (como indica la **Figura 8**).

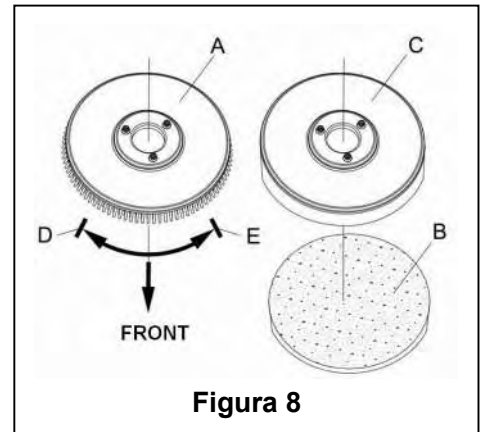


Figura 8

AJUSTAR EL BALANCE DE LA ESCOBILLA DE GOMA

9. Monte la escobilla de goma y ciérrela bien mediante el mango. A continuación conecte el tubo de vaciar los residuos con la escobilla de goma.
10. Ajuste la escobilla de goma a través de la palanca de ajuste (A) (véase la **Figura 9**).
 - 1) Si la parte central de la tira trasera de la escobilla de goma, sección B, tiene una brecha con el suelo o la presión a la baja es relativamente ligera, ajuste el mango en el sentido anti-horario hasta que toda la longitud de la tira trasera de la escobilla de goma toque completamente el suelo. La tira delantera de la escobilla de goma apenas tiene que estar en contacto con el suelo.
 - 2) Si los dos extremos de la tira trasera de la escobilla de goma, secciones C y D, tienen una brecha con el suelo o la presión a la baja es relativamente ligera, ajuste el mango en el sentido horario hasta que toda la longitud de la tira trasera de la escobilla de goma toque completamente el suelo. La tira delantera de la escobilla de goma apenas tiene que estar en contacto con el suelo.

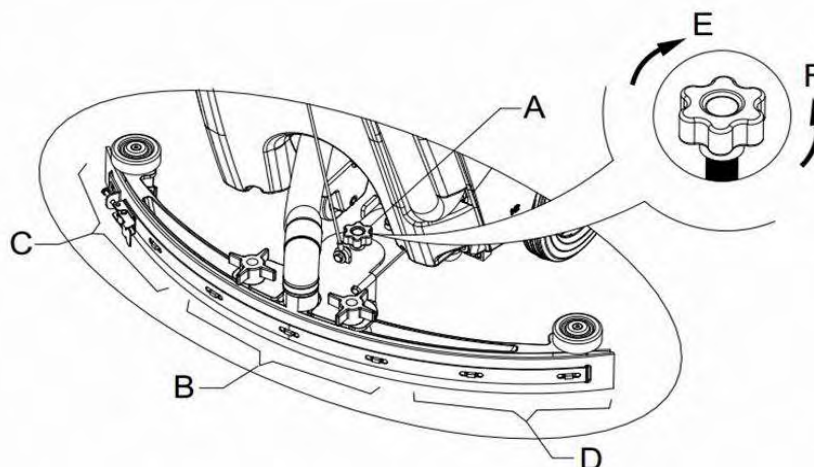


Figura 9

Llenar el depósito de disolución



¡PRECAUCIÓN!

Se pueden usar solamente detergentes no inflamables de baja espuma. Tales detergentes deben ser apropiados para máquina de fregar.

11. Abra la tapa de entrada de agua (27) y llene el depósito de disolución con agua. No sobre llene el depósito. Llenar hasta el borde del soporte del filtro de la entrada de agua será suficiente. A la hora de mezclar las soluciones de limpieza, por favor observe las proporciones de dilución provistas por el fabricante de la sustancia y tenga en cuenta que la temperatura no debe superar los 40^o C.

REGULAR EL VOLUMEN DEL FLUJO DE AGUA



¡ADVERTENCIA!

La regulación del mango de la válvula de bola (A, Figura 10) debe ejecutarse bajo la condición de que el interruptor de encendido (41) esté en posición "O".

12. El volumen del flujo de agua puede ser ajustado a través del mango de la válvula de bola (A, Figura 10) conforme a la cantidad de agua que se requiere para fregar el suelo.

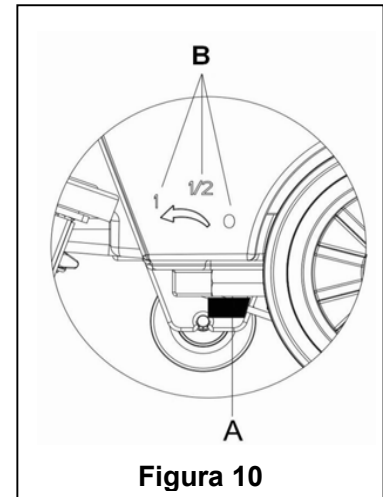


Figura 10

MARCHA Y PARADA DE LA MÁQUINA

Poner la máquina en marcha

1. Complete los pasos preparatorios como es indicado arriba.
2. Presione el interruptor de encendido (41) en posición "I".
3. Use el mango de la escobilla de goma (41) para bajarla.
4. Presione el interruptor de la Bomba de Aspiración (42) en posición "I".
5. Presione el interruptor de ajuste del volumen de flujo de agua (44) en posición "I". (Opere al mismo tiempo con el interruptor de seguridad (1) para controlar el funcionamiento de la válvula solenoide.)
6. Mantenga presionado el interruptor de seguridad (1) y empuje la máquina. El cepillo empieza a girar (29) y la máquina inicia su trabajo de limpieza.



CONSULTA: Cómo empujar la máquina

Una de las ventajas de la máquina es la disponibilidad de dos interruptores de seguridad en ambos lados del manillar. Cada uno de ellos es capaz de controlar el movimiento del cepillo de manera independiente. Durante el funcionamiento, facilita controlar y manejar la máquina.

Por experiencia, el método de empujar la máquina, indicado en la Figura 11 a la derecha es más conveniente, los operadores sienten sus manos más cómodas, lo que reduce el cansancio. Es recomendable que los operadores empujen la máquina de esta manera.

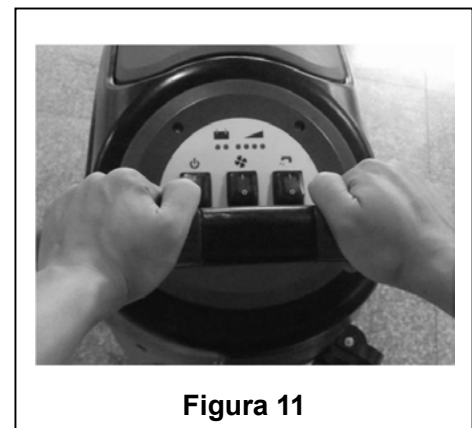


Figura 11

Apagar la máquina

7. Cuando haya terminado de usar la máquina, primero descargue el cepillo / panel de la almohadilla (consulte los pasos relacionados en el apartado de Instalación y Descarga del cepillo / panel de la almohadilla)
8. Suelte el interruptor de seguridad (1) para apagar el cepillo / panel de la almohadilla y la válvula solenoide.
9. Presione el interruptor de la Bomba de Aspiración (42) en posición "O" y la Bomba se demorará 5 segundos antes de dejar de funcionar.

10. Presione el interruptor de ajuste del volumen de flujo de agua (44) en posición "O" para detener completamente el funcionamiento de la válvula solenoide.
11. Presione el interruptor de encendido (41) en posición "O".
12. Use la palanca de elevación de la escobilla de goma (14) para levantarla.
13. Sujete el manillar (2) e incline levemente la máquina hacia atrás hasta que la rueda de guía toque el suelo. Véase la **Figura 12**.

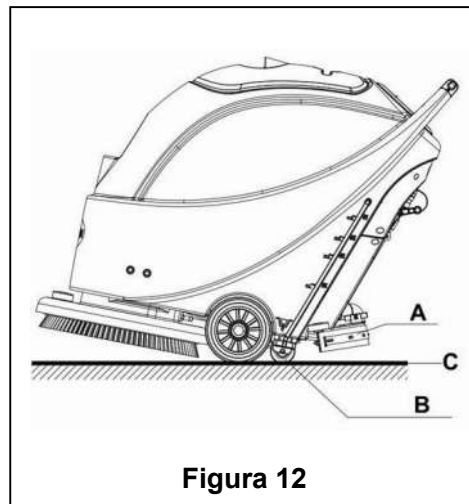


Figura 12

FUNCIONAMIENTO DE LA MÁQUINA (FREGADO Y SECADO)

1. Ponga la máquina en marcha según está descrito más arriba.
2. Mantenga el interruptor de seguridad (1) (de la manera indicada en la **Figura 11**), empuje la máquina e inicie el trabajo de limpieza.
3. Si hace falta, apague la máquina y ajuste la palanca reguladora de la escobilla de goma. (Refiérase a los pasos de ajustar el balance de la escobilla de goma).
4. Si hace falta, apague la máquina, y ajuste el volumen del flujo de agua mediante el mango de válvula de bola. (Refiérase a los pasos de ajustar el volumen de flujo de agua.)



¡PRECAUCIÓN!

A fin de evitar daños en el suelo, cuando la máquina se detiene en el mismo lugar sin moverse, por favor apague el interruptor de encendido (41).

Descarga de la batería durante el funcionamiento

5. Únicamente cuando la luz de advertencia verde (38) está iluminada, la carga de las baterías permite que la máquina funcione normalmente.



NOTA

Cuando todas las luces verdes (38) se iluminen, la batería está completamente cargada.

Cuando la última luz verde (38) está iluminada y empieza a parpadear, considere recargar la batería, de lo contrario la máquina se apagará dentro de unos minutos.

Cuando la última luz verde (38) se apaga y la luz roja (39 y 40) empieza a parpadear, la máquina se apagará dentro de unos minutos. (Refiérase a los pasos indicados en el apartado Mantenimiento).



¡PRECAUCIÓN!

No utilice la máquina si la carga de la batería no es suficiente, a fin de no deteriorar la batería ni reducir su vida útil.

DESAGÜE DE LOS DEPÓSITOS

Cuando el tanque de recuperación está lleno, un flotador de cierre en el dispositivo de apagado automático del flotador (36) bloqueará la conexión de entrada de la bomba de aspiración. El aumento repentino del ruido de la bomba de aspiración, significaría que la bomba de aspiración ya está demasiado sobrecargada y es necesario vaciar de inmediato las aguas residuales.



¡PRECAUCIÓN!

Si la bomba de aspiración se apaga de repente (por ejemplo, porque la máquina se traslada rápidamente dando lugar a una activación del flotador), y si se necesita un reinicio de la operación, siga los siguientes pasos: pulse el interruptor de encendido (41 y 42) para desconectar la bomba de aspiración, y abra la tapa del tanque de recuperación (25) para comprobar si el flotador en el filtro del flotador ha vuelto a la superficie del agua. A continuación cierra la tapa del tanque de recuperación (25) y presione el interruptor de encendido (41 y 42) para poner en marcha y activar la bomba de aspiración.

Cuando el tanque de recuperación está completamente lleno de agua sucia, siga los pasos abajo para vaciarlo.

Vaciado del tanque de recuperación

1. Apague la máquina.
2. Levante la escobilla de goma mediante el mango (14).
3. Conduzca la máquina a la zona de desagüe de depósitos.
4. Sujete el manillar (2) e incline levemente la máquina hacia atrás hasta que la rueda de guía toque el suelo. (Para el acoplamiento de la máquina, consulte los procedimientos del apartado de apagado de la máquina.)
5. Retire la manguera de vaciado del gancho de fijación, doble el extremo superior de la manguera (como se indica en **A**, **Figura 13**), luego abra la tapa de la manguera y bájela al suelo para drenar el agua. Opcionalmente, coloque directamente la manguera de vaciado en una posición baja o directamente en el suelo para volver la salida del agua hacia abajo (como se muestra en **B**, **Figura 13**), y luego gire abrir la tapa de drenaje del agua para vaciar el agua residual del tanque. Después de terminar el drenaje, utilice agua fresca para enjuagar el interior del tanque de recuperación.

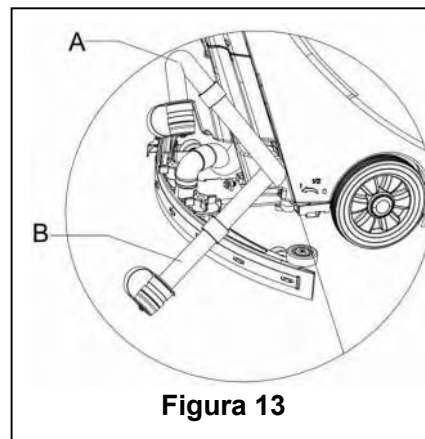


Figura 13



¡PRECAUCIÓN!

Al drenar el agua residual, el tubo de vaciar los residuos debe ser doblado o bajado a una posición inferior (como se muestra en la Figura 13 A o B), y a continuación, abra la tapa del tubo de vaciar los residuos para drenar el agua. No vierta la salida del tubo de vaciar los residuos hacia arriba para drenar el agua verticalmente. Esto es para evitar que las aguas residuales se derramen sobre el operador.

Vaciado del depósito de disolución

6. Complete los Pasos de 1 a 8.
7. Como se indica en la **Figura 14**, gire la tapa del Depósito de disolución (A) en sentido anti-horario para abrirlo en dirección C y vacíe completamente el Depósito de disolución. Use agua fresca para enjuagar el interior del Depósito de disolución. Al terminar el trabajo, asegure la tapa del Depósito de disolución (A) en sentido horario en dirección B.

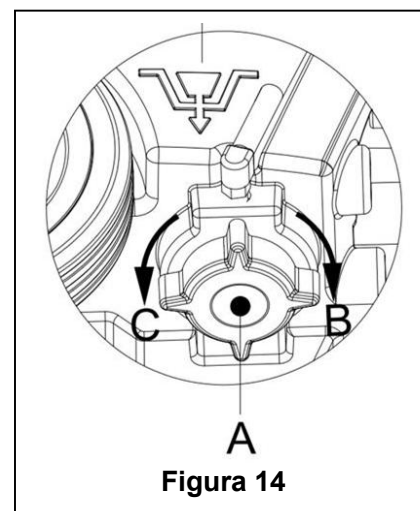


Figura 14

DESPUÉS DE UTILIZAR LA MÁQUINA

Cuando el trabajo está hecho y antes de guardar la máquina, debe seguir los siguientes pasos:

1. Siga el procedimiento descrito en el apartado anterior acerca de la instalación y descarga del cepillo / panel de la almohadilla, y desmonte el cepillo / panel de la almohadilla.
2. Siguiendo los procedimientos descritos en las secciones correspondientes, vacíe el agua por completo de los depósitos de disolución y de recuperación.
3. Lleve a cabo los procedimientos de mantenimiento diario (refiérase a la sección de mantenimiento).
4. Almacene la máquina, el epillo / panel de la almohadilla y la escobilla de goma incluidos en un lugar limpio y seco. La escobilla de goma debe estar levantada y desmontada.

PERÍODOS DE INACTIVIDAD

Si no utilizará la máquina durante más de 30 días, por favor prepárela de la siguiente manera:

1. Complete los procedimientos necesario que se deben observar después de usar la máquina.
2. Desconecte el conector (9) que junta la máquina con la batería.
3. A fin de no deteriorar la batería y si no utilizará la máquina por más de 3 meses, por favor cárguela cada 3 meses.

USAR POR PRIMERA VEZ

Después de usar por las primeras 9 horas, compruebe todas las partes para estar seguro de que ninguna de ellas esté floja o dañada durante el funcionamiento, también verifique si hay algunos daños o fugas visibles.

MANTENIMIENTO Y LIMPIEZA

La vida útil y la máxima seguridad de funcionamiento de la máquina están aseguradas por el mantenimiento y el cuidado adecuado y regular.

La siguiente tabla proporciona un plan de mantenimiento general de la máquina. Los intervalos de tiempo de mantenimiento son determinados en gran medida por las condiciones de trabajo de la máquina. Estos intervalos de tiempo deben ser formulados por el personal responsable del mantenimiento.



¡ADVERTENCIA!

Estos procedimientos se pueden realizar sólo después de apagar la máquina y desconectar el vínculo entre la máquina y la batería. Antes de proseguir con cualquiera de los procedimientos de mantenimiento, por favor observe con cuidado los apartados relacionados con la seguridad.

Todo el mantenimiento planificado o adicional debe ser realizado por personal cualificado o en Centros de Servicio autorizados.

Este manual sólo se refiere al mantenimiento de los procedimientos más comunes y más simples.

Para los procedimientos de mantenimiento que no sean los indicados en el presente cuadro de mantenimiento planificado, por favor consulte el manual de mantenimiento del Centro de Servicio.

TABLA DE MANTENIMIENTO PROGRAMADO

Procedimiento	Diario, Máquina después de usar	Semanal	Cada 6 meses	Anual
Cargar la batería				
Limpiar la escobilla de goma				
Limpiar el cepillo/panel de la almohadilla				
Limpiar el tanque de agua y el filtro del flotador, inspeccionar las tiras de sellado del tanque de agua				
Inspeccionar y reemplazar la tira de la escobilla de goma				
Limpiar el Filtro de la Solución				
Limpiar el Filtro de la Bomba de Aspiración				
Comprobar el nivel de agua de la batería HÚMEDA				
Inspeccionar si las tuercas y pernos están apretados			(1)	
Inspeccione o reemplace la escobilla de carbón del motor del cepillo/panel de la almohadilla				(2)
Inspeccione o reemplace la escobilla de carbón de la Bomba de aspiración				(2)

(1) Se debe realizar 9 horas después de poner la máquina en marcha.

(2) Estos procedimientos de mantenimiento se deben ejecutar por un Centro de Servicio autorizado por Viper.

CARGAR LA BATERÍA



NOTA

Es el momento de cargar la batería cuando se ilumina la luz de advertencia de color ámbar o rojo, cada vez después de terminar el trabajo.



¡PRECAUCIÓN!

Mantenga la batería completamente cargada para prolongar su vida útil.

**¡PRECAUCIÓN!**

Una vez que la energía de la batería se vuelve insuficiente, la batería debe ser recargada lo más pronto posible. Por favor compruebe el cargador por lo menos una vez a la semana.

**¡PRECAUCIÓN!**

Si no está incluido el cargador de a bordo, por favor seleccione un cargador externo apropiado para cargar la batería.

**¡ADVERTENCIA!**

Se debe tomar un cuidado especial al cargar la batería, ya que puede haber fugas de ácido durante el proceso de carga. El ácido de la batería es corrosivo. Si por accidente entra en contacto con la piel o con los ojos, lave abundantemente con agua y consulte a un médico.

1. Abra la tapa del tanque de recuperación (25) y compruebe si está vacío o no, Si no está vacío, drene el agua mediante la manguera de vaciado. (15).
2. Conduzca la máquina a una zona especial de recarga.
3. Presione el interruptor de encendido (41) en posición "O" y apague la máquina.
4. Únicamente aplicable a batería HÚMEDA con adición de agua.
 - Compruebe el nivel de electrolito en la batería. Si hace falta, rellénela a través de la tapa.
 - Deje todas las tapas abiertas.
 - Si hace falta, limpie la superficie superior de la batería.
5. Seleccione uno de los siguientes procedimientos para cargar la batería según el modelo.

Cargar la batería con un cargador externo

6. Verifique, de acuerdo con el manual correspondiente, si el cargador externo es apropiado. El voltaje de salida debe ser CC 24V.
7. Conecte el conector de la batería al conector externo y éste a la red.
8. Cuando la carga esté completa, conecte el conector de carga de la batería con la máquina.

Cargar la batería con un cargador de a bordo (opcional)

9. Retire la tapa de goma en el extremo del conector de carga de la batería.
10. Conecte el extremo del conector de carga de la batería con la red mediante un cable de conexión de carga. (Asegúrese de que la tensión de entrada del cargador de a bordo sea de 220 - 240 V, la tensión de salida de 24V y la frecuencia cumplan con los requisitos.) Cuando el cargador está conectado a la red, el resto de funciones será desactivado. Si la luz de advertencia roja del cargador de a bordo sigue iluminada, la batería se está cargando.
11. Cuando se ilumina la luz de advertencia verde (47), el proceso de carga está completo.
12. Al completarse la carga, quite el cable de conexión del extremo del conector de carga de la batería y de la red y vuelva a poner la tapa de goma.
13. Desconecte EL cable de conexión de carga de la red y enrolle en el carrete (6).

**NOTA**

Si necesita de más información acerca del cargador de a bordo (35), por favor refiérase al manual apropiado.

LIMPIEZA DE LA ESCOBILLA DE GOMA**NOTA**

Con el fin de mantener el efecto óptimo de la aspiración del agua, la escobilla de goma se debe mantener limpia, y la tira debe permanecer en un buen estado.

**¡PRECAUCIÓN!**

A la hora de limpiar la escobilla de goma es recomendable usar guantes de protección porque la escobilla de goma puede contener escombros afilados.

1. Conduzca la máquina a una superficie plana y lisa.
2. Presione el interruptor de encendido (41) en posición "O" para apagar la máquina.

3. Desenrosque el mango fijo (16) de la escobilla de goma; desmonte el conector que junta la manguera de aspiración de recuperación de la escobilla de goma y retire la escobilla.
4. Use la palanca de elevación de la escobilla (14) para levantar el bastidor de la escobilla.
5. Limpie la escobilla de goma (**Figura 15**). Limpie bien la ranura (**A, Figura 15**) la suciedad y los escombros de la manguera de aspiración. Compruebe si la lámina delantera (C) y la lámina posterior (D) permanecen intactas o si tienen grietas y bordes rotos. Reemplácelos si hace falta (refiérase a los pasos en el apartado que sigue).
6. Vuelva a montar la escobilla de goma en el orden inverso al de arriba.

INSPECCIÓN Y SUSTITUCIÓN DE LA ESCOBILLA DE GOMA

1. Observando los métodos mencionados en la sección anterior, limpie la escobilla de goma (**Figura 15**).
2. Inspeccione el borde (**E, Figura 15**) en la lámina delantera de la escobilla y el borde (F) de la lámina posterior (D). A lo largo de su longitud, deben ser alineados. De lo contrario ajuste su altura conforme a los siguientes procedimientos:
 - Afloje el gancho (G) para permitir que la lámina posterior de la escobilla de goma (D) quede separada del retenedor (M) para ajustar la posición de la escobilla de goma. Después de ajustar, vuelva a apretar el gancho.
 - Afloje el tornillo en el mango (I) para ajustar la lámina delantera de la escobilla de goma (C); apriete el tornillo del mango después de ajustar.
3. Revise la integridad de la lámina delantera (C) y la lámina posterior (D), compruebe si hay cortaduras y fugas. Si hace falta, reemplácelos como es indicado abajo. Asegúrese de que el borde delantero (J) de la lámina posterior no esté desgastado; De lo contrario, dé vuelta a la lámina para sustituir el borde desgastado por un íntegro (el borde superior debe ser intacto). Si el borde superior también está gastado, reemplace la lámina según el siguiente procedimiento:
 - Afloje el gancho (G) para permitir que la lámina de presión se separe del retenedor (M), retire la barra de ganchos (K), luego cambie o dé vuelta a la lámina posterior (D). Instale la lámina posterior de la escobilla de goma en el orden inverso del desmontaje.
 - Afloje el tornillo del mango (I) y retire la barra de ganchos delantera (L), a continuación cambie la escobilla de goma delantera (C). Instale la lámina delantera de la escobilla de goma en el orden inverso del desmontaje. Después de la sustitución (o vuelta) de la lámina, ajuste la altura de las láminas delantera y posterior, como se indica en el paso anterior.
4. Conecte la manguera de aspiración (11) a la escobilla de goma.
5. Instale la escobilla de goma y utilice el botón (16) para apretarla, luego conecte la manguera de aspiración a la escobilla.
6. Si hace falta, ajuste la escobilla de goma al ajustar el volante (20) (refiérase a los procedimientos de ajustar el balance de la escobilla de goma).

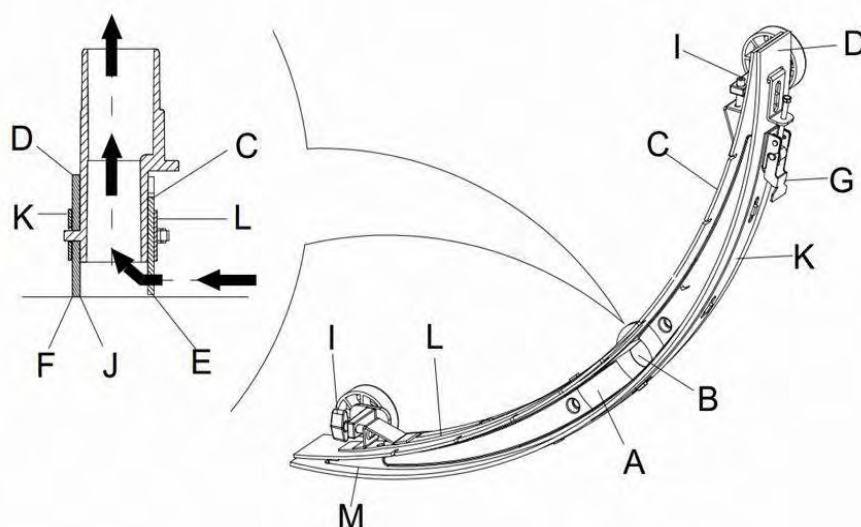


Figura 15

LIMPIEZA DEL CEPILLO/ALMOHADILLA

**¡PRECAUCIÓN!**

A la hora de limpiar el cepillo/panel de la almohadilla, es recomendable usar guantes de protección ya que éstos pueden contener escombros afilados.

1. Como se indica en las secciones anteriores, desmonte el cepillo/panel de la almohadilla.
2. Limpie y lave el cepillo / panel de la almohadilla con agua y detergente.
3. Compruebe que el cepillo es íntegro y los filamentos del cepillo no están demasadamente gastados, si es necesario - reemplace el cepillo.
4. Compruebe el estado de desgaste del panel de la almohadilla y, si hace falta, reemplace el panel.

LIMPIEZA DEL DEPÓSITO DE DISOLUCIÓN Y DEL FILTRO DEL FLOTADOR

1. Conduzca la máquina a una area dedicada al desagüe.
2. Presione el interruptor de encendido (41) en posición "O" para apagar la máquina.
3. Abra la tapa del tanque de recuperación (A, Figura 16) y retire el dispositivo del flotador (36) del tanque de recuperación.
4. Use agua fresca para lavar la tapa del tanque de recuperación (A), el tanque (B y C), y el bastidor del filtro del flotador (E). A través del Tubo de Recuperación (15), vacíe toda agua del tanque.
5. Si hace falta, siga los símbolos "Abierto" y "Cerrado" como se indica en la Figura 16, abra la tapa inferior (F) del filtro del flotador y limpie el flotador (D), su filtro, el bastidor (E), y la esponja del filtro. Después de limpiar, fije el flotador sobre el bastidor del filtro (E), luego alinee la ranura marcada (L) de la tapa inferior (F) del filtro del flotador con la ranura marcada (L) del bastidor del filtro (E). Apriete la tapa inferior (F) del filtro del flotador y fije la esponja del filtro (I) sobre el bastidor (E), y luego sobre la manguera de aspiración (M).
6. Compruebe la integridad del anillo de sellado (G) de la tapa del tanque de agua.

**NOTA**

La tira de sellado (G) del tanque de agua hace que el tanque de agua genere un vacío. Debe estar completamente sellado para ser capaz de succionar con eficacia las aguas residuales del suelo.

Si es necesario, la tira de sellado del tanque de agua (G) se puede sacar de la ranura (H) y ser reemplazada. A la hora de ensamblar una nueva tira de sellado del tanque de agua, como indica la Figura 16 más abajo, instale el conector en la sección central de la parte posterior.

7. Compruebe si la superficie de recepción de la tira de sellado (G) está intacto y sella adecuadamente.
8. Cierre la tapa del tanque de recuperación (A).

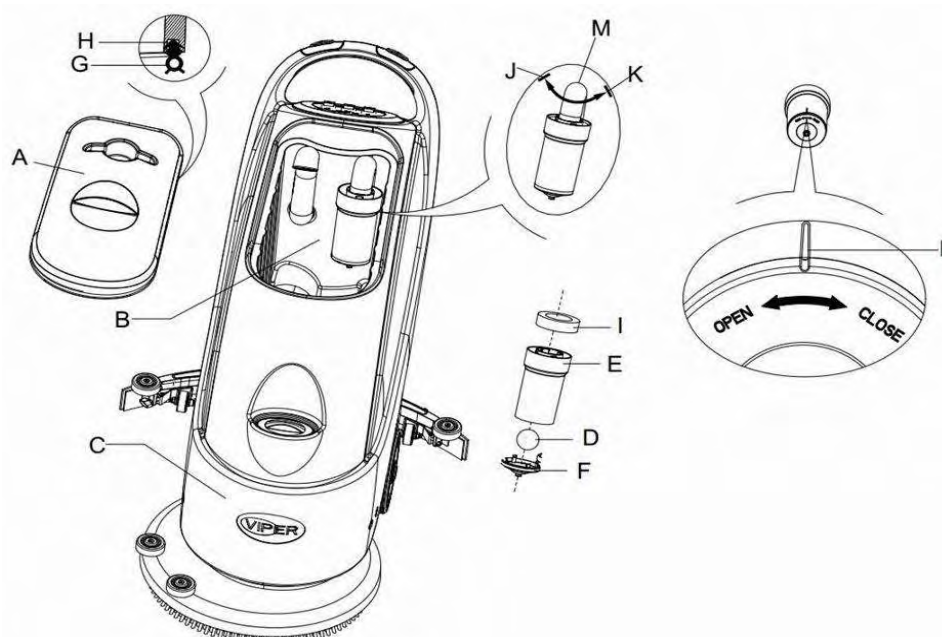


Figura 16

LIMPIEZA DEL FILTRO DE LA SOLUCIÓN

1. Vacíe toda agua del Depósito de Disolución según el método relatado en las secciones anteriores.
2. Conduzca la máquina a una superficie plana y lisa.
3. Presione el interruptor de encendido (41) en posición "O" para apagar la máquina.
4. Desconecte la válvula de bola de drenaje (A, **Figura 17**) (que se ubica en la parte inferior de la máquina, detrás de las ruedas). Posición B - válvula de bola abierta, posición C - válvula de bola cerrada.
5. Retire la tapa transparente (D), y el filtro (E), luego instálelos sobre la caja del filtro (F) después de la limpieza.

**NOTA**

El filtro (E) debe ser instalado correctamente en la posición de la proyección (G).

6. Abra la válvula de bola de drenaje (A).

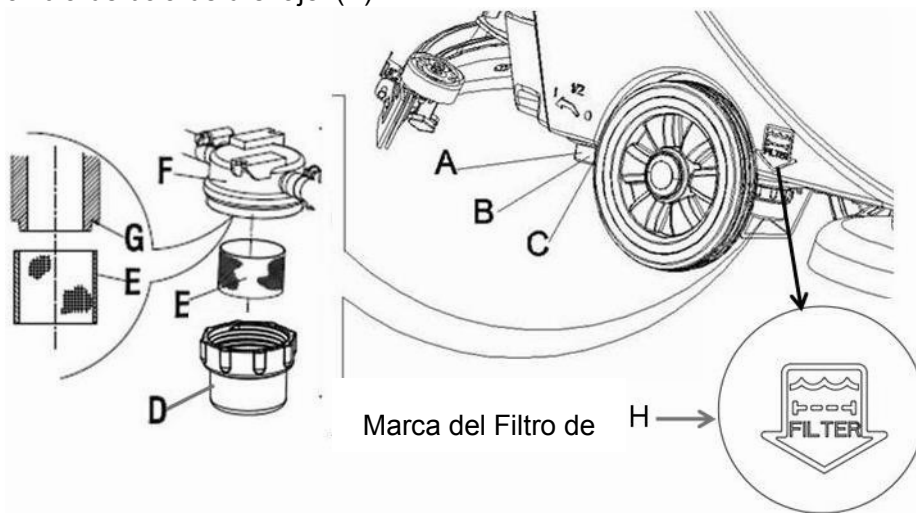
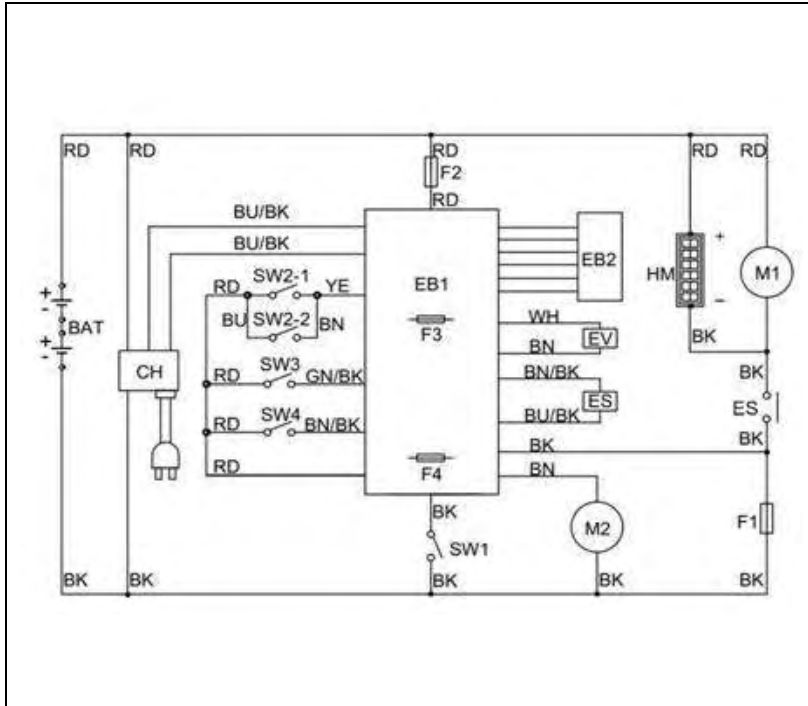
**Figura 17**

DIAGRAMA DEL CIRCUITO DE AS430B Y AS510B



BAT	Batería
CH	Cargador
EB1	Tablero de circuito del control
EB2	Panel LED
ES	Contactador
EV	Válvula Solenoide
F1	Fusible del motor del cepillo
F2	Fusible del motor de aspiración
F3	Fusible del Tablero de Circuito de Control
F4	Fusible de la Válvula Solenoide
M1	Motor del Cepillo
M2	Motor de Aspiración
SW1	Interruptor de Encendido
SW2	Interruptor del Motor del Cepillo
SW3	Interruptor del Motor de Aspiración
SW4	Interruptor de la Válvula Solenoide
HM	Temporizador (Unicamente para AS510B)

CÓDIGOS DE COLOR

RD=Rojo	BN=Marrón	BU/BK = Azul/Negro
BU=Azul	YE=Amarillo	GN/BK = Verde/Negro
BK=Negro	WH=Blanco	BN/BK = Marrón/Negro

RESOLUCIÓN DE PROBLEMAS

Problema	Posibles Causas	Resolución
La máquina no funciona La luz indicadora no está iluminada	El conector de la batería (9) no está conectado.	Conecte el conector de la batería
	La batería está agotada	Reemplace la batería
La luz de advertencia (39 y 40) está parpadeando	El motor del cepillo está sobrecargado	Cambie el cepillo por uno más suave a fin de adaptarse a la superficie por limpiar
	Escombros atascan la rotación del cepillo	Limpie el cepillo
El cepillo no funciona	Fusible del cepillo desconectado	Reiniciar
	La correa se está resbalando	Inspeccione la correa, ajuste el rodillo de tensión
El motor de aspiración no funciona	Fusible de la aspiración desconectado	Reiniciar
Nivel de vacío inadecuado	El tanque de agua residual está lleno.	Vacíe el tanque
	La manguera de aspiración de residuos y la escobilla de goma no están bien conectados	Conecte la manguera de aspiración de residuos y la escobilla de goma
	Filtro del flotador o entrada atascados	Limpie el filtro del flotador, compruebe la bola del flotador
	Escobilla de goma sucia o lámina de la escobilla desgastada o deteriorada	Limpie y compruebe la escobilla de goma
	La tapa del tanque de recuperación no está bien apretado o la tira de sellado del tanque de agua está dañado	Apriete la tapa bien o reemplace la tira de sellado del tanque de agua
Nivel del flujo de agua fresca al cepillo inadecuado	Filtro sucio	Limpie el filtro
La escobilla de goma dejando rastros	Escombros y residuos debajo de la lámina	Quite los escombros
	Lámina de la escobilla de goma gastada, agrietada, quebradiza	Reemplace la lámina
	Balance de la escobilla de goma no ajustado	Ajuste el balance

**NOTA**

Si la máquina tiene un cargador de a bordo instalado y en el caso de que este cargador haya dado un defecto, la máquina no es capaz de funcionar.

Si el cargador de a bordo es defectuoso, por favor póngase en contacto con un Centro de Servicio autorizado.

A fin de obtener más información, favor de referirse al manual de mantenimiento (disponible en cualquiera de los Centros de Servicio de Víper).

RECICLAJE DE LA MÁQUINA

Use la máquina de trituración adecuada para destruir esta máquina.

Antes de destruir la máquina, por favor desmonte y deje aparte los siguientes materiales, que conforme a las leyes y regulaciones relevantes, deben ser aplicadas correctamente.

- Batería
- Cepillo/Panel de la Almohadilla
- Tubos y otros componentes de plástico
- Componentes eléctricos y electrónicos (*)

(*): Por favor, póngase en contacto con el Centro de Víper más cercano (particularmente si se requiere el desguace de los componentes eléctricos y electrónicos).

TABELA DE CONTEÚDOS

INTRODUÇÃO	112
CONTEÚDOS DO MANUAL.....	112
FINALIDADE	112
PEÇAS DE SUBSTITUIÇÃO E MANUTENÇÃO.....	112
ALTERAÇÕES E MELHORAMENTOS	112
ÂMBITO DE APLICAÇÃO	112
DESEMBALAGEM/TRANSPORTE	112
GUIAS DE SEGURANÇA GERAL.....	113
DADOS TÉCNICOS.....	114
DESCRIÇÃO DA MÁQUINA	114
ESTRUTURA DA MÁQUINA.....	114
PAINEL DE CONTROLO	115
JANELA DE EXIBIÇÃO DA LUZ INDICADORA DO CARREGADOR.....	116
GUIA DE UTILIZAÇÃO	116
INSTALAÇÃO E DEFINIÇÃO DA BATERIA DA MÁQUINA NOVA.....	116
INSTALAÇÃO DA BATERIA E DEFINIÇÃO DO TIPO DE BATERIA (WET OU GEL/AGM).....	117
ANTES DE INICIAR A MÁQUINA	118
INSTALAÇÃO E DESCARREGAMENTO DO SUPORTE DE ESCOVA/ALMOFADA.....	118
AJUSTE DO EQUILÍBRIO DO SQUEEGEE	119
REGULAÇÃO DO VOLUME DE FLUXO DE ÁGUA	119
INICIAÇÃO E PARAGEM DA MÁQUINA.....	120
OPERAÇÃO DA MÁQUINA (ESCOVAGEM E SECAGEM).....	120
ESVAZIAMENTO DO TANQUE	121
APÓS UTILIZAR A MÁQUINA	122
PERÍODOS DE INACTIVIDADE.....	122
UTILIZAÇÃO PELA PRIMEIRA VEZ	122
MANUTENÇÃO E CUIDADO	122
TABELA DE MANUTENÇÃO PROGRAMADA.....	123
CARREGAMENTO DA BATERIA	123
LIMPEZA DO SQUEEGEE	124
INSPECÇÃO E SUBSTITUIÇÃO DA LÂMINA DO SQUEEGEE	124
LIMPEZA DA ESCOVA/ALMOFADA.....	125
LIMPEZA DA REDE DO FILTRO DE FLUTUAÇÃO E TANQUE DE ÁGUA	125
LIMPEZA DO FILTRO DE SOLUÇÃO	126
FIGURA DE CIRCUÍTO DE AS430B E AS510B	127
RESOLUÇÃO DE PROBLEMAS	128
ELIMINAÇÃO DA MÁQUIA	128

INTRODUÇÃO



NOTA

Os números em parêntesis referem-se aos componentes relacionados mostrados na secção de Descrição da Máquina.

CONTEÚDOS DO MANUAL

Este manual serve para fornecer ao operador a informação necessária para utilizar esta máquina de forma apropriada e segura. A informação inclui dados técnicos, segurança, operação, armazenamento, manutenção e eliminação da máquina. O operador e técnicos com qualificações relacionadas devem estudar cuidadosamente este manual antes de começar a operação e manutenção desta máquina. Por favor contacte a VIPER para qualquer questão deste manual ou se necessitar de informação relacionada.

FINALIDADE

A finalidade deste manual é de habilitar o operador e técnicos qualificados para realizarem a manutenção desta máquina.

O operador não deve realizar as operações que só devem ser realizadas por técnicos. A VIPER não se responsabiliza por quaisquer danos causados pelo incumprimento desta regra.

PEÇAS DE SUBSTITUIÇÃO E MANUTENÇÃO

Todos os processos de operação, manutenção e reparação devem ser realizados por pessoal qualificado ou pelos centros de assistência da VIPER.

Só devem ser utilizados peças e acessórios de substituição autorizados.

Se necessitar de assistência ou de comprar peças ou acessórios de substituição, contacte a VIPER e informe o número do modelo e números de série da máquina.

ALTERAÇÕES E MELHORAMENTOS

A VIPER melhora os seus produtos continuamente. A VIPER reserva-se ao direito de alterar e melhorar as máquinas, e também ao direito de decidir se os benefícios das alterações são aplicáveis aos produtos já vendidos. Todas as alterações ou acessórios extra devem ser aceites pela VIPER e devem ser realizados pela companhia.

ÂMBITO DE APLICAÇÃO

Esta escova é utilizada em ambientes domésticos e industriais, e é adequada para a limpeza de chão suave e duro (escovagem e colecção de desperdício de água). Deve ser utilizada por operadores qualificados e num ambiente seguro. Esta escova não pode ser utilizada para limpeza em exterior, em tapetes nem em chão relativamente áspero.

DESEMBALAGEM/TRANSPORTE

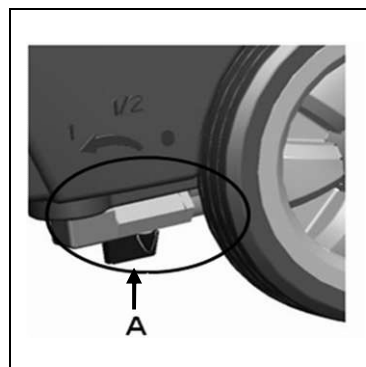
Siga cuidadosamente as instruções da embalagem quando desembalar.

Na entrega, inspeccione a embalagem e a máquina de modo a assegurar-se que nenhum dano ocorreu durante o transporte. Se existe danos visíveis, mantenha a forma original, e peça ao transportador para confirmar e preencher a lista de danos para compensação.



— CUIDADO

Quando desembalar e descarregar, ou durante o transporte da máquina em chão com escadas, tenha cuidado para evitar que o interruptor on/off de regulação do fluxo de água bata, Parte A na figura à direita.



Verifique se a máquina está equipada com os itens seguintes:

1. Documentos técnicos
 - Manual do Utilizador da Escova
 - Manual do Carregador On-board (se equipado)
2. Conector para carregador (se não equipado no carregador on-board, está no carregador externo especificado)

GUIAS DE SEGURANÇA GERAL

Avisos e notas especiais sobre danos potenciais (pessoais e máquina):



AVISO!

- A máquina só pode ser operada sob as condições deste manual. Unicamente os acessórios aprovados pela VIPER devem ser utilizados.
- Esta máquina só deve ser utilizada por pessoal treinado ou autorizado. Crianças e pessoas inapropriadas não devem utilizar esta máquina.
- Sob utilização normal, a bateria pode emitir gás inflamável. Deve manter a bateria longe de itens radiadores, iluminantes e quentes, assim como faíscas. Quando a máquina está a ser utilizada, assegure-se que o ambiente é bem ventilado e está longe de chamas abertas. Quando carregar, não fume perto da máquina.
- Desconecte a bateria antes da execução de operações de manutenção/reparação.
- Antes de utilizar o carregador on-board, verifique se os valores de voltagem e frequência indicados no autocolante de número de série são iguais aos da corrente.
- Quando trabalhar perto de peças eléctricas, não tenha jóias no corpo. Siga todas as medidas de precaução para evitar que o cabelo, jóias e roupas largas fiquem presas nas partes móveis da máquina.
- Não utilize esta máquina em áreas particularmente sujas. Não limpe a máquina directamente com água. Não deixe que a máquina entre em contacto com líquidos corrosivos.
- A temperatura para armazenamento e para o ambiente de funcionamento da máquina deve ser entre 0 - 40°C.
- A humidade do ar deve ser entre 30% - 105%.
- Não utilize a máquina em declives com inclinação superior a 2%.
- Em caso de incêndio, utilize extintores de pó seco. Não utilize extintores de fogo líquidos.
- Preste atenção particular quando a máquina é transportada em temperaturas inferiores a 0°C. O tanque de água e a água nas mangueiras podem congelar e causar danos sérios à máquina.
- Utilize as escovas e almofadas fornecidos com a máquina e as especificadas no Manual do Utilizador. A utilização de outras escovas ou almofadas podem reduzir a segurança.
- No caso de funcionamento defeituoso, certifique-se que não é causado por falta de manutenção. Se for causado por outras condições, peça assistência do pessoal autorizado ou centro de assistência.
- Se for confirmado que as peças de substituição têm de ser substituídas, guarde as peças originais dos fornecedores ou agentes autorizados.
- De modo a assegurar a operação segura e correcta da máquina, deixe o pessoal autorizado ou centro de assistência realizar a manutenção programada de acordo com os horários de manutenção das secções relacionadas do manual.
- Esta máquina deve ser deixada fora correctamente uma vez que poderão existir substâncias venenosas e perigosas (baterias, etc.), e estas substâncias devem ser deixadas fora por centros especiais de acordo com as leis e regulamentos (refira à secção de eliminação da máquina).

DADOS TÉCNICOS

Modelo	AS430B	AS510B
Altura da Máquina	980mm	
Capacidade do tanque de solução	40 litros	
Capacidade do tanque de recuperação	40 litros	
Diâmetro da roda de transporte	200mm	
Diâmetro da roda guia	76mm	
Potência do motor do sistema de vácuo	350w	
Gradiente máximo em funcionamento	2%(Máx)	
Nível da pressão do some m estação de trabalho	70dB(A) ±3dB(A)	
Baterias padrão	(2×12V) 24V 85Ah AGM	(2×12V) 24V 105Ah AGM
Tamanho do compartimento da bateria (L x C x A)	340 x 330 x 260mm (Máx)	
Capacidade do circuito do sistema de vácuo	1200 mm H ₂ O	
Largura de limpeza	430mm	510mm
Largura do squeegee	730mm	790mm
Comprimento máximo da máquina	1060mm	1100mm
Largura da máquina sem squeegee	480mm	540mm
Diâmetro da escova	430mm	510mm
Peso com baterias e tanques vazios	112kg	128kg
Peso bruto da máquina pronto a utilizar	152kg	168kg
Potência do motor da escova	550W	560W
Velocidade da escova	150rpm	
Pressão máxima da escova/suporte de almofada	30kg (Máx)	35kg(Máx)
Tamanho da embalagem (Cx L x A)	1200 x 610 x 1170mm	

DESCRIÇÃO DA MÁQUINA**ESTRUTURA DA MÁQUINA**

- | | |
|---|--|
| 1. Botão interruptor de segurança | 20. Volante de ajuste do squeegee |
| 2. Guião | 21. Encaixe do suporte traseiro do squeegee |
| 3. Painel de controlo | 22. Encaixe do suporte frontal do squeegee |
| 4. Placa do número de série/ Dados técnicos / Certificado de conformidade | 23. Suporte do copo |
| 5. Protecção do controlo | 24. Puxador da tampa do tanque de recuperação |
| 6. Suporte do cabo (*) | 25. Tampa do tanque de recuperação |
| 7. Luz indicadora de carregamento de bateria | 26. Corpo do tanque |
| 8. Interruptor de reinício | 27. Tampa da entrada de água |
| 9. Conector da bateria | 28. Protecção da escova |
| 10. Tampa da bateria | 29. Suporte da escova/almofada |
| 11. Tubo de vácuo para desperdícios | 30. Motor do sistema de vácuo |
| 12. Cabo extensível do squeegee | 31. Motor da escova |
| 13. Tampa de segurança do conector da bateria | 32. Roda de 8" |
| 14. Puxador de elevação do squeegee | 33. Bateria |
| 15. Mangueira de drenagem | 34. Tubo de vácuo |
| 16. Botão fixo do squeegee | 35. Carregador (*) |
| 17. Clipe do squeegee | 36. Filtro de flutuação |
| 18. Lâmina do squeegee | 37. Tubo de nível de água (para indicar a quantidade de água no Tanque de Solução) |
| 19. Encaixe de apoio do squeegee | |

(*) só aplicável para máquinas já instaladas com o carregador on-board (opcional)

FIGURAS DA ESTRUTURA DA MÁQUINA

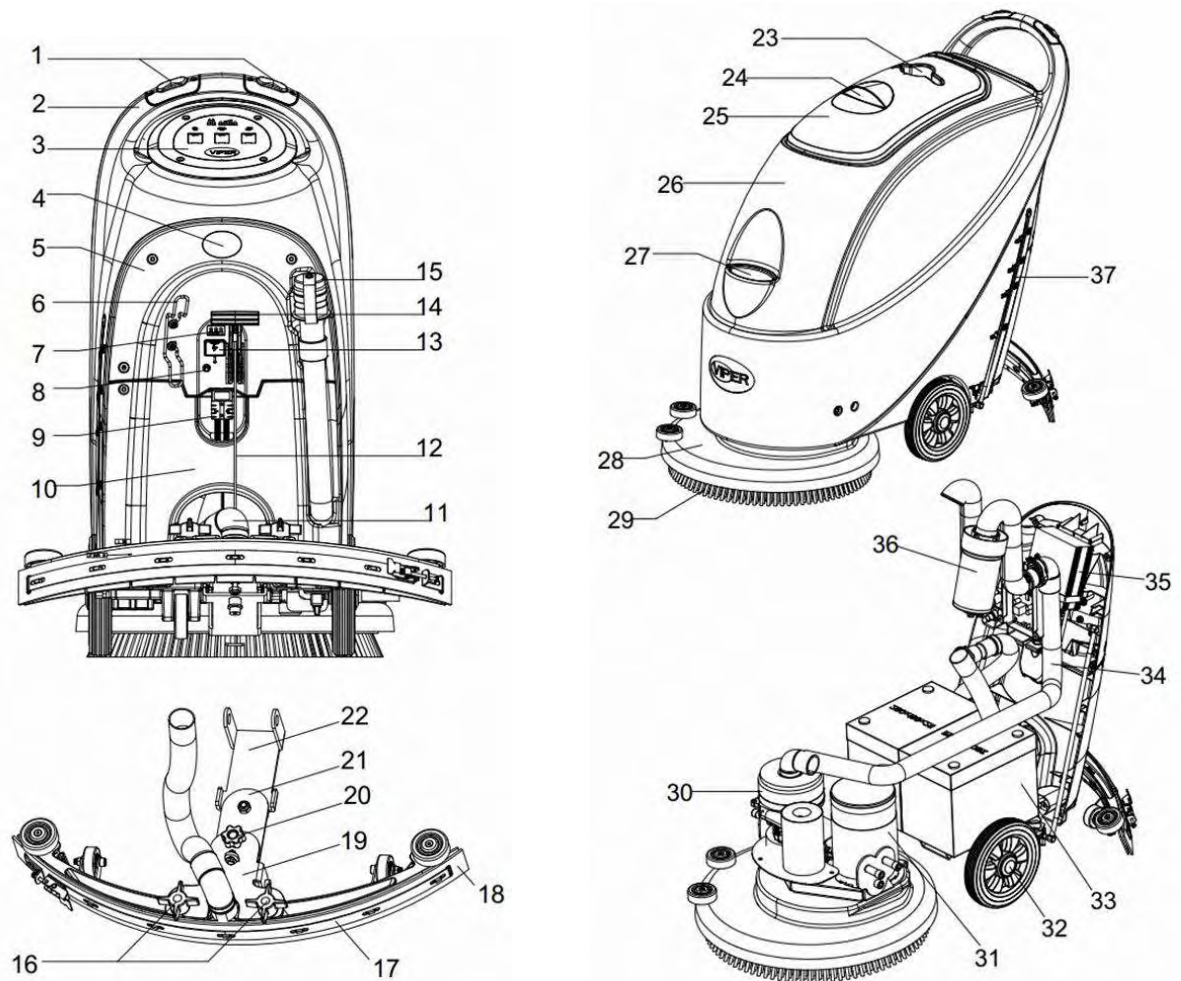


Figura 1

PAINEL DE CONTROLO (Figura 2)

- 38. Luz indicadora de carregamento de bateria (verde quando saturado)
- 39. Luz indicadora de bateria vazia (vermelho)
- 40. Luz indicadora de bateria vazia (vermelho)
- 41. Interruptor de energia
- 42. Interruptor do vácuo
- 43. Cronómetro (opcional, utilizado para gravar o tempo de funcionamento da escova)
- 44. Interruptor da válvula solenóide para controlo de vaporização de água

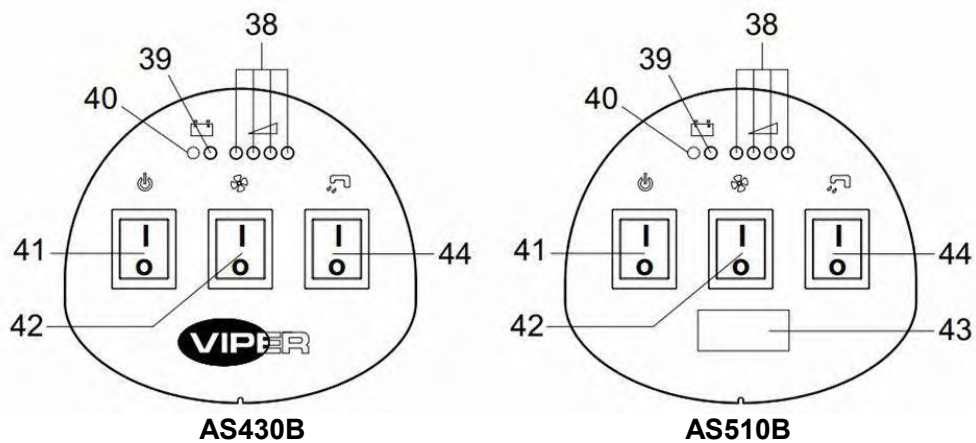


Figura 2

JANELA DE EXIBIÇÃO DA LUZ INDICADORA DO CARREGADOR (Figura 3)

(Opcional, aplicável para os modelos com carregador incorporado)

1. Quando o carregamento iniciar, a luz indicadora vermelha do carregador (45) pisca algumas vezes e parando para se tornar uma luz indicadora vermelha permanente, entrando no primeiro estado de carregamento;
2. Após carregar durante um período de tempo, a luz indicadora vermelha do carregador (45) irá apagar-se, e a luz indicadora amarela (46) irá acender-se permanentemente, entrando no segundo estado de carregamento;
3. Após carregar durante aproximadamente 10 horas, a luz indicadora amarela (46) irá desligar-se, e a luz indicadora verde (47) irá acender-se permanentemente, indicando que o carregamento está completo e concluído.

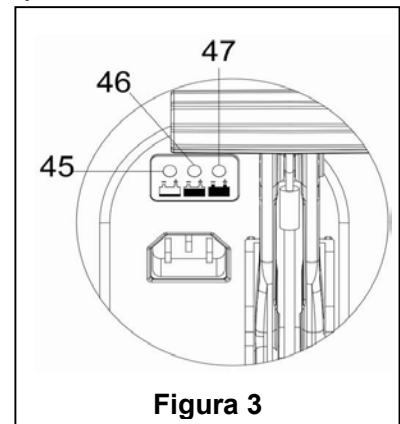


Figura 3



NOTA

- 1) Durante o carregamento, se a luz indicadora amarela piscar: a bateria não é do mesmo tipo que o carregador, ou a bateria não está correctamente conectada, ou aconteceu curto-circuito no terminal de saída.
- 2) Se a luz indicadora vermelha piscar: curto-circuito dentro do carregador. (Para mais detalhes, refira às secções relacionadas no manual do carregador.)

GUIA DE UTILIZAÇÃO



AVISO

Em certas partes da máquina, existem alguns sinais indicadores:

- PERIGO
- AVISO
- CUIDADO
- CONSULTA

Quando ler este manual o operador deve prestar atenção particular aos símbolos destes sinais. Não cobre estes sinais sob nenhuma circunstância. Se os mesmos foram danificados, substitua imediatamente.

INSTALAÇÃO E DEFINIÇÃO DA BATERIA DA MÁQUINA NOVA



AVISO

Se a bateria for incorrectamente instalada ou conectada, os componentes eléctricos da máquina podem ser seriamente danificados. A bateria só pode ser instalada por pessoal qualificado. De acordo com o número do modelo da bateria (WET ou GEL) a ser utilizado, defina a placa de circuito funcional e carregador on-board (opcional).

Verifique se a bateria está danificada antes de instalar.

Desconecte o conector da bateria e a ficha do carregador on-board.

Tenha cuidado quando tocar na bateria.

Esta máquina necessita de duas (2) baterias 12V. Conecte como mostrado na **Figura 4** à direita

This machine can supply any of the following models:

a) As baterias (WET ou GEL/ AGM) já estão instaladas e podem ser utilizadas a qualquer altura.

1. Verifique a bateria. Conecte a bateria à máquina através do conector (9).
2. (Só aplicável para AS430B e AS510B): Pressione o interruptor on/off (41). Se a luz verde estiver acesa, significa que a bateria está pronta a ser utilizada.

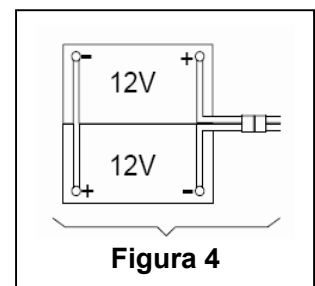


Figura 4

Se as luzes amarela ou vermelha estiverem acesas, significa que a bateria necessita de ser carregada. (Refira à secção de manutenção para os procedimentos relacionados).

b) Sem baterias

1. Compre uma bateria semelhante (refira à secção dos parâmetros técnicos). A informação sobre a selecção da bateria pode ser obtida dos agentes de bateria qualificados.
2. Defina a máquina e o carregador on-board (se equipado) de acordo com o tipo de baterias (WET ou GEL/AGM). Adicionalmente, leia o seguinte parágrafo para saber como instalar a bateria.

INSTALAÇÃO DA BATERIA E DEFINIÇÃO DO TIPO DE BATERIA (WET OU GEL/AGM)

De acordo com o tipo da bateria (WET ou GEL/AGM), defina a placa de circuito eléctrico no carregador on-board. Siga os seguintes passos:

1. Certifique-se que o conector da bateria está desconectado. Se a máquina for definida como “AGM” na fábrica, passe directamente para o Passo 8; caso contrário, complete os Passos 2, 3 e 4.
2. Retire a mangueira de drenagem (15).
3. Se equipado com carregador on-board, retire o fio de carregamento da bobina.
4. Retire a protecção do controlo (5), e os parafusos da tampa da bateria (10). Retire os parafusos do suporte PCB. O interruptor DIP (B) para a definição do modelo da bateria pode ser encontrado quando virar a placa PCB. (Ver **Figura 5**).
5. Ajuste o micro interruptor DIP (B) para a posição “WET”.
6. Complete os Passos 3, 4 e 5 em ordem reversa.

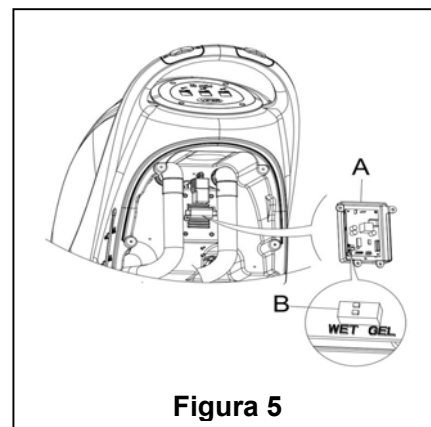


Figura 5

Instalação das baterias

7. Desconecte o conector da bateria (9).
8. Abra a tampa do tanque de recuperação (25) e verifique se o tanque de recuperação está vazio ou não; se não, esvazie-o através da mangueira de drenagem (15).
9. Desaparafuse o botão fixo do squeegee (16), retire o conector que liga o tubo de vácuo para desperdícios (11) ao squeegee, e retire o squeegee.
10. Desaparafuse a tampa da bateria (10) e retire-a.
11. Desaparafuse o conector do cabo extensível do squeegee (12) que liga o suporte do squeegee (19), e pendure cabo extensível do squeegee para cima.
12. Pendure a mangueira de drenagem (15) e o tubo de vácuo para desperdícios (11) para cima.
13. De acordo com o tamanho da bateria, empurre a placa de fixação para a caixa da bateria completamente para dentro.



NOTA

A dimensão da bateria não deve exceder: A x L x P: 330mm x 170mm x 260mm. De acordo com as dimensões variantes das baterias, os requisitos para a selecção das baterias fixas são os seguintes:

- 1) Para baterias com comprimento inferior a 270mm, utilize 2 peças de placa de fixação (**B**, **Figura 6**) e coloque as lado a lado dentro da bateria do tanque de água;
- 2) Para baterias com comprimento entre 310mm – 270mm, utilize 1 peça de placa de fixação (**B**, **Figura 6**) e coloque-a na bateria do tanque de água;
- 3) Para baterias com comprimento entre 310mm – 330 mm, não existe necessidade de utilizar placas de fixação para fixar a posição.

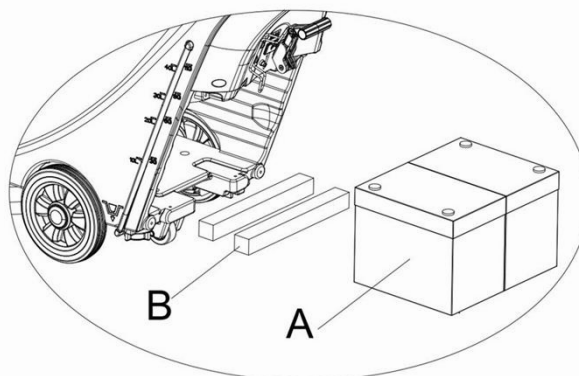


Figura 6

14. Intale a bateria com as ferramentas de instalação específicas da bateria (**A, Figura 7**). Após a bateria estar instalada, retire as ferramentas de instalação e instale o suporte de fixação da bateria (**B, Figura 7**).

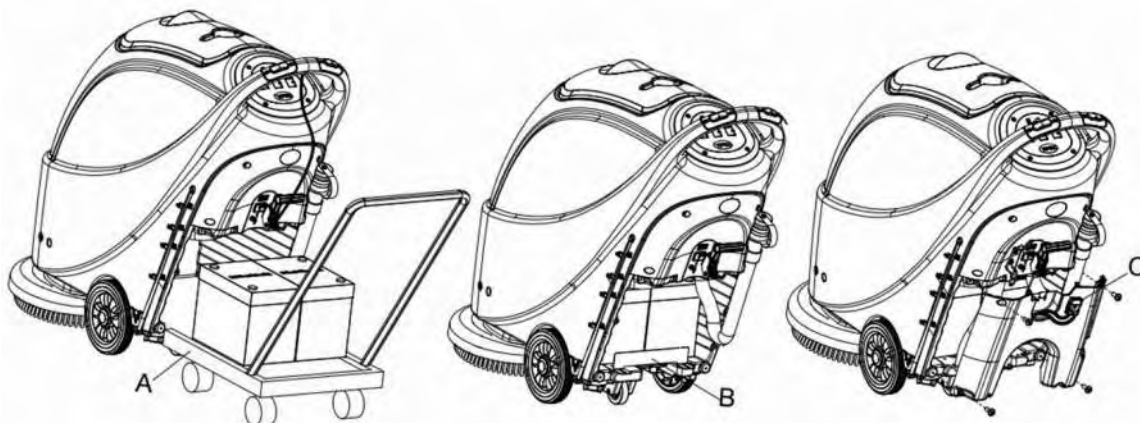


Figura 7

15. Coloque o conector da bateria (**C, Figura 7**) através do buraco no topo da tampa da caixa da bateria, coloque a mangueira de drenagem através do buraco correcto da tampa da caixa da bateria, fixe a tampa com os 4 parafusos, e instale o cabo extensível do squeegee, mangueira de drenagem e o squeegee.

Carregamento da bateria

16. Para carregar a bateria (refira aos passos indicados na secção de manutenção).

ANTES DE INICIAR A MÁQUINA

INSTALAÇÃO E DESCARREGAMENTO DO SUPORTE DE ESCOVA/ALMOFADA



NOTA

De acordo com o tipo de chão a ser limpo, deve instalar o suporte da escova (Figura 8, A) ou da almofada (Figura 8, B e C).



CUIDADO!

Quando instalar ou descarregar o suporte de escova/almofada manualmente, verifique primeiro se todos os interruptores estão na posição OFF e levante o squeegee do chão. Após este procedimento, pode instalar o suporte da escova ou almofada. Além disso, utilize luvas protectoras para evitar que se corte em fragmentos.

1. (Só aplicável para **AS430B** e **AS510B**): certifique-se que o interruptor (41) está na posição de desconexão (**O**).
2. Pressione o guião (2) para levantar o corpo do tanque (26).
3. Coloque o suporte de escova (A) ou almofada (B-C) debaixo da caixa.
4. Utilize o guião (2) para baixar o corpo do tanque (26) para entrar em contacto com o suporte da escova ou almofada.
5. Para instalar o suporte da escova/almofada automaticamente, mude o interruptor de energia (41) para a posição "I" e pressione o interruptor de segurança (1). Empurre gentilmente a máquina para a frente para permitir que a roda no fundo do corpo do tanque se alinhe com o suporte de escova ou almofada, ficando bem instalado. Se necessário, repita este procedimento até o suporte de escova/almofada estar completamente instalado.

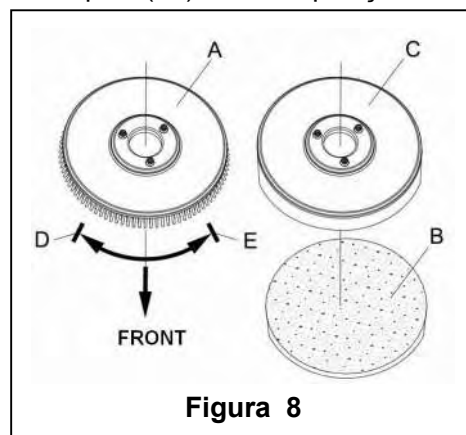


Figura 8

6. Se o Passo 5 acima for difícil de completar, utilize o método manual seguindo a seta (D) para instalar o suporte de escova/almofada (como mostrado na **Figura 8**).
7. Para descarregar o suporte de escova/almofada automaticamente, mude o interruptor de energia (41) para a posição "O". Utilize a sua mão para segurar o guião, e pressione a máquina para baixo até que a roda guia toque no chão e o suporte de escova/almofada fique no ar. Mude o interruptor de energia (41) para a posição "I", e pressione o interruptor de segurança para girar o suporte de escova/almofada até que caia no chão.
8. Se o Passo 7 acima for difícil de completar, utilize o método manual de girar o suporte na direcção oposta ao encaixe, e poderá retirá-lo (como mostrado na **Figura 8**).

AJUSTE DO EQUILÍBRIO DO SQUEEGEE

9. Instale o squeegee e aperte-o bem no guião. Conecte o tubo de vácuo para desperdícios ao squeegee.
10. Ajuste o squeegee através do punho de ajuste (A) do squeegee (veja a **Figura 9**).
 - 1) Se a secção do meio da fita traseira do squeegee, secção B, tiver um intervalo com o chão ou a pressão para baixo for relativamente leve, ajuste o guião para a direcção contra os ponteiros do relógios até o comprimento completo da fita traseira do squeegee ficar em contacto completo com o chão. A fita frontal do squeegee deve tocar levemente no chão.
 - 2) Se as duas pontas da fita traseira do squeegee, secções C e D, tiverem um intervalo com o chão o a pressão para baixo for relativamente leve, ajuste o guião para a direcção dos ponteiros do relógios até o comprimento completo da fita traseira do squeegee ficar em contacto completo com o chão. A fita frontal do squeegee deve tocar levemente no chão.

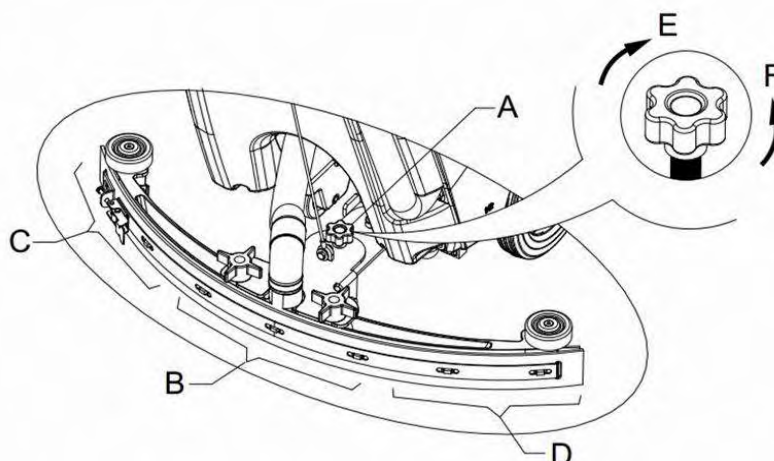


Figura 9

Enchimento do tanque de solução



CUIDADO!

Só pode utilizar detergentes de pouca espuma e não inflamáveis. Estes detergentes devem ser adequados para a utilização com escovas.

11. Abra a tampa da entrada de água (27) e adicione água no tanque de solução. Não deixe que transborde. Encha até perto da beira do suporte do filtro da entrada de água. Quando preparar as soluções de limpeza, siga as proporções de diluição fornecidas pelo fabricante do químico e a temperatura da água não deve exceder os 40° C.

REGULAÇÃO DO VOLUME DE FLUXO DE ÁGUA



AVISO!

A regulação da alavanca da válvula de bola (A, Figura 10) deve ser realizada quando o interruptor de energia (41) está na posição "O".

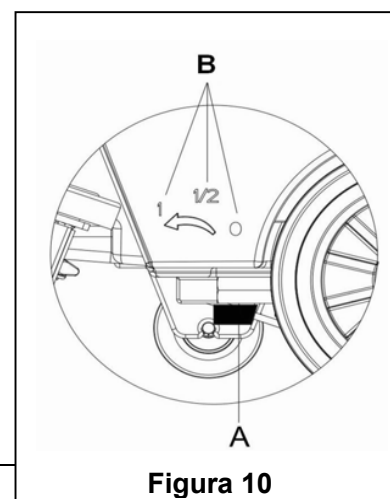


Figura 10

12. O volume do fluxo de água pode ser ajustado através da alavanca da válvula de bola (A, **Figura 10**) de acordo com a quantidade de água necessária para escovar o chão.

INICIAÇÃO E PARAGEM DA MÁQUINA

Iniciar a máquina

1. Complete os passos preparatórios acima.
2. Pressione o interruptor de energia (41) para a posição "I".
3. Utilize a alavanca do squeegee (41) para baixar o squeegee.
4. Pressione o interruptor da bomba de vácuo (42) para a posição "I".
5. Pressione o interruptor de controlo de volume do fluxo de água (44) para a posição "I". (Trabalhe simultaneamente com o interruptor de segurança (1) para controlar o funcionamento da válvula solenóide.)
6. Segure o interruptor de segurança (1) e empurre para over a máquina. A escova (29) começa a rodar, e a máquina inicia o trabalho de limpeza.



CONSULTA: Como empurrar a máquina

Uma das características da máquina é a instalação de dois interruptores de segurança de ambos os lados do guião. Cada interruptor de segurança é capaz de controlar independentemente a operação da escova. Durante a utilização, facilita o controlo da operação da máquina.

Após experiência, o método de mover a máquina como mostrado na **Figura 11** à direita é mais adequado, os utilizadores estão mais confortáveis nas mãos, e reduz a fadiga de trabalho. Por isso, recomendamos que os utilizadores movam a máquina seguindo este método.



Figura 11

Desligar a máquina

7. Quando terminar de utilizar a máquina, primeiro, retire o suporte de escova/almofada (refira aos passos relacionados na secção de instalação e descarregamento do suporte de escova/almofada).
8. Liberte o interruptor de segurança (1) para desligar o suporte de escova/almofada e a válvula solenóide.
9. Pressione o interruptor de bomba de vácuo (42) para a posição "O", e a bomba do vácuo irá atrasar por 5 segundos antes de parar de funcionar.
10. Pressione o interruptor de controlo de volum de fluxo de água (44) para a posição "O" para desligar completamente o funcionamento da válvula solenóide.
11. Pressione o interruptor de energia (41) para a posição "O".
12. Utilize o puxador de elevação do squeegee (14) para elevar o squeegee.
13. Agarre o guião (2) e incline gentilmente a máquina para trás até a roda guia (B) tocar no chão. Veja a **Figura 12**.

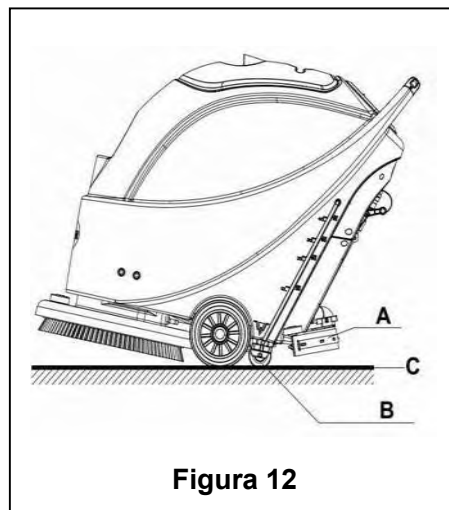


Figura 12

OPERAÇÃO DA MÁQUINA (ESCOVAGEM E SECAGEM)

1. Inicie a máquina de acordo com a descrição acima.
2. Segure o interruptor de segurança (1) (de acordo com a **Figura 11**), empurre para mover a máquina e inicie a limpeza.
3. Se necessário, desligue a máquina, e ajuste o punho regulador do squeegee. (Refira aos passos para ajustar o equilíbrio do squeegee).
4. Se necessário, desligue a máquina, e ajuste o volume do fluxo de água com a alavanca de válvula de bola. (Refira aos passos de ajuste de volume do fluxo de água.)

**CUIDADO!**

De modo a evitar danos no chão, quando a máquina ficar num local sem se mover, desligue o interruptor de energia (41).

Descarregamento da bateria durante a operação

5. A alimentação da bateria é suficiente para a operação normal da máquina só quando a luz indicadora verde (38) estiver continuamente acesa.

**NOTA**

Quando as quatro luzes verdes (38) estiverem acesas, significa que a bateria está completamente carregada.

Quando só a última luz verde (38) estiver ligada e começar a piscar, significa que tem de carregar a bateria, uma vez que a máquina se irá desligar após alguns minutos.

Após a última luz verde (38) se desligar, e a luz vermelha (39 e 40) começar a piscar, a máquina irá parar automaticamente após alguns segundos. (Refira aos passos relacionados na secção de manutenção).

**CUIDADO!**

Não utilize a máquina quando a alimentação da bateria é insuficiente, de modo a evitar danos à bateria e diminuição da duração do funcionamento da mesma.

ESVAZIAMENTO DO TANQUE

Quando o tanque de recuperação estiver cheio, o objecto flutuante no dispositivo flutuante para desligar automático (36) irá bloquear a entrada que liga a bomba do vácuo. Após o aumento de barulho da bomba de vácuo, pode ser considerado que a bomba de vácuo está sobrecarregada e uma drenagem imediata da água em excesso é necessária.

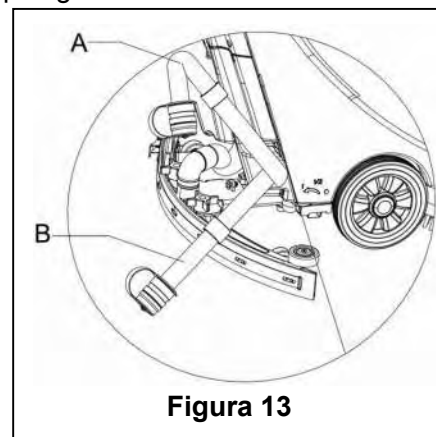
**CUIDADO!**

Se a bomba do vácuo for desligada repentinamente (por ex. Devido à máquina ser movida repentinamente resultando na activação da flutuação), e se o resumo da operação for necessário, siga os seguintes passos: pressione o interruptor de energia (41 e 42) para desligar a alimentação e a bomba de vácuo, e abra a tampa do tanque de recuperação (25) para verificar se o objecto de flutuação no filtro regressou à superfície da água. Feche a tampa do tanque de recuperação (25), e pressione o interruptor de energia (41 e 42) para ligar a alimentação e a bomba de vácuo.

Quando o tanque de recuperação estiver completamente cheio com água de desperdício, siga os seguintes passos para a drenar.

Esvaziamento do tanque de recuperação

1. Desligue a máquina.
2. Utilize o puxador de elevação do squeegee (14) para elevar o squeegee.
3. Mova a máquina para um local de despejo indicado.
4. Agarre o guião (2) e incline gentilmente a máquina para trás até a roda de guia tocar no chão. (Para acoplamento da máquina refira à secção de paragem da máquina).
5. Retire a mangueira de drenagem do clipe de fixação, dobre a ponta superior da mangueira (como mostrado em **A, Figura 13**), e abra a tampa da mangueira de drenagem, baixe-a para um nível baixo ou coloque-a no chão para drenar a água. Alternativamente, baixe-a para um nível baixo ou coloque-a no chão para que a saída de água fique apontada para baixo (como mostrado em **B, Figura 13**), e gire para abrir a tampa de drenagem de água para drenar a água de desperdício no tanque. Após terminar de drenar, utilize água pura para limpar o interior do tanque de recuperação.

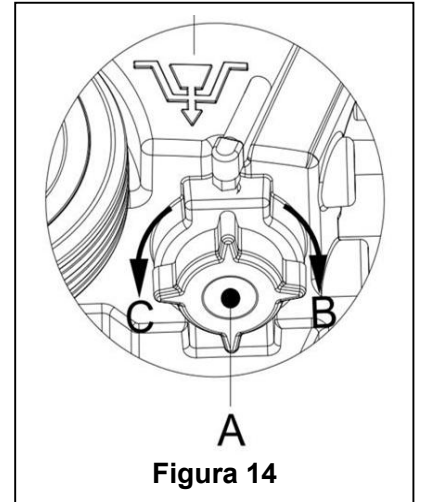
**Figura 13**

**CUIDADO!**

Quando drenar a água de desperdício, o tubo de vácuo para desperdício deve ser dobrado ou baixado para uma posição baixa (como mostrado na Figura 13 em A ou B). Abra a tampa do tubo de vácuo para desperdícios para drenar a água. Não aponte a saída do tubo de vácuo para desperdícios para cima com objectivo de drenar a água verticalmente. Isto serve para evitar que salpique o operador.

Esvaziamento do tanque de solução

6. Complete os passos 1 a 4.
7. Como mostrado na **Figura 14**, gire para abrir a tampa do tanque de solução (A) na direcção contrária aos ponteiros do relógio seguindo a direcção C, e drene completamente o tanque de solução. Utilize água pura para limpar dentro do tanque. Quando terminar, gire bem a tampa do tanque de solução (A) na direcção dos ponteiros seguindo a direcção B.

**Figura 14****APÓS UTILIZAR A MÁQUINA**

Quando terminar a limpeza e antes de deixar a máquina, complete os seguintes passos:

1. Siga o processo descrito na secção acima sobre a instalação e descarregamento do suporte da escova/almofada, e retire-o
2. Siga os processos descritos acima nas secções relacionadas, drene a água completamente do tanque de solução e do tanque de recuperação.
3. Complete os processos de manutenção diários (refira à secção de manutenção).
4. Armazene a máquina, incluindo o suporte de escova/almofada e squeegee num local limpo e seco. O squeegee deve ser levantado ou retirado.

PERÍODOS DE INACTIVIDADE

Se a máquina não for utilizada durante mais de 30 dias, trate da seguinte forma:

1. Complete o processo necessário que deve ser seguido após a máquina ser utilizada.
2. Desconecte o conector (9) que liga a bateria à máquina.
3. De modo a não danificar a bateria, e se a máquina não for utilizada durante mais de 3 meses, carregue a bateria uma vez a cada 3 meses.

UTILIZAÇÃO PELA PRIMEIRA VEZ

Após utilizar pelas primeiras 9 horas, verifique todas as partes para se certificar que nada ficou solto ou danificado durante a operação, e verifique que existe qualquer dano ou vazamento visível.

MANUTENÇÃO E CUIDADO

A duração de serviço e a segurança de operação máxima da máquina são asseguradas pela manutenção e cuidado apropriado e atempado.

A tabela abaixo fornece um plano de manutenção geral para a máquina. Os intervalos de tempo de manutenção são determinados pelas condições de funcionamento da máquina. Estes intervalos de tempo devem ser formulados pelo pessoal responsável pela manutenção.

**AVISO!**

Só deve realizar estes processos unicamente após a máquina ser desligada e a conexão entre a máquina e a bateria ser desligada. Antes de proceder com qualquer manutenção, estude atentamente as secções de segurança relacionadas.

Toda a manutenção no plano ou adicional deve ser realizada por pessoal qualificado ou centros de assistência autorizados.

Este manual só indica os procedimentos de manutenção mais simples e comuns.

Para qualquer processo de manutenção para além daqueles mencionados nesta tabela de manutenção, refira ao manual de manutenção do centro de assistência.

TABELA DE MANUTENÇÃO PROGRAMADA

Procedimento	Diário, após utilização da máquina	Semanal	Todos os 6 meses	Anual
Carregamento da bateria				
Limpeza do squeegee				
Limpeza do suporte de escova/almofada				
Limpeza do tanque d água e filtro de flutuação, inspecção das fitas de selagem do tanque de água				
Inspecção e substituição da fita do squeegee				
Limpeza do filtro de solução				
Limpeza do filtro da bomba de vácuo				
Inspecção do nível líquido da bateria WET				
Inpecção do aperto das porcas e parafusos			(1)	
Inspecção ou substituição da escova de carbono do suporte de escova/almofada				(2)
Inpecção ou sbstituição da escova de carbono da bomba de vácuo				(2)

(1) Deve ser realizada 9 horas após a máquina começar a funcionar.

(2) Estes procedimentos de manutenção devem ser realizados pelo Centro de Assistência Autorizado VIPER.

CARREGAMENTO DA BATERIA

**NOTA**

Deve carregar a bateria quando a luz de aviso amarela ou vermelha acende, ou sempre que realizar uma limpeza.

**CUIDADO!**

Mantenha a bateria em condição completamente carregada de modo a estender a duração de funcionamento da bateria.

**CUIDADO!**

Assim que a energia da bateria ficar insuficiente, a bateria deve ser carregada o mais rápido possível. Inspecione o carregador pelo menos uma vez por semana.

**CUIDADO!**

Se um carregador on-board não estiver equipado, seleccione um carregador externo adequado para carregar a bateria.

**AVISO!**

Preste especial atenção quando carregar a bateria, uma vez que poderá existir vazamento de ácido durante o processo de carregamento. O ácido da bateria é corrosivo. Se a pele ou olhos entrarem em contacto, lave com água abundante e dirija-se a um médico.

1. Abra a tampa do tanque de recuperação (25) e observe se o mesmo está vazio ou não. Se não estiver vazio, esvazie com a mangueira de drenagem (15).
2. Mova a máquina para uma área de carregamento específica.
3. Pressione o interruptor de energia (41) para a posição "O" para desligar a máquina.
4. Só aplicável para as baterias de adição de água WET
 - Verifique o nível de electrólito dentro da bateria. Se necessário, encha através da tampa.
 - Mantenha todas as tampas abertas.
 - Se necessário, limpe a superfície superior da bateria.

5. Seleccione um dos seguintes procedimentos para carregar a bateria de acordo com o modelo da bateria a ser utilizado.

Para carregar a bateria com um carregador externo

6. Verifique, de acordo com o manual relacionado, se o carregador externo é apropriado. A voltagem de saída deve ser de DC 24V.
7. Conecte o conector da bateria ao conector externo, e conecte o último à tomada.
8. Quando o carregamento terminar, conecte o conector de carregamento da bateria à máquina.

Para carregar a bateria com um carregador on-board (opcional)

9. Retire a tampa de borracha no final do conector de carregamento da bateria.
10. Conecte a ponta do conector de carregamento da bateria à tomada com o fio de carregamento. (Note que se a voltagem de entrada do carregador on-board é de 220V-240V e a voltagem de saída é de 24V e se a frequência cumpre os requisitos). Quando o carregador está ligado à tomada, todas as funções serão desligadas automaticamente. Se a luz de aviso vermelha do carregador on-board continuar a ligar, significa que o carregador está a carregar a bateria.
11. Quando a luz de aviso verde (47) estiver ligada, significa que o processo de carregamento da bateria terminou.
12. Quando o carregamento estiver completo, retire o fio de conexão da ponta do conector de carregamento da bateria e da fonte de alimentação e volte a colocar a tampa de borracha.
13. Desligue o fio do carregador da fonte de alimentação, e enrole o fio na bobina (6).



NOTEA

Se necessitar de mais informação sobre o carregador on-board (35), refira ao manual relacionado.

LIMPEZA DO SQUEEGEE



NOTA

De modo a manter o efeito óptimo do Vácuo de água, deve manter o squeegee limpo, e manter a fita do squeegee em boas condições.



CUIDADO !

Quando limpar o squeegee, recomendamos que utilize luvas protectoras uma vez que o squeegee pode conter fragmentos afiados.

1. Mova a máquina para uma superfície plana e suave.
2. Pressione o interruptor de energia (41) para a posição "O" para desligar a máquina.
3. Desaparafuse o botão fixo (16) do squeegee; retire o conector que liga o tubo do vácuo de recuperação do squeegee para o retirar.
4. Utilize o puxador de elevação do squeegee (14) para elevar o encaixe de suporte do squeegee.
5. Limpe o squeegee (**Figura 15**). Limpe bem a ranhura (**A, Figura 15**) e a sujidade e fragmentos do tubo de vácuo. Verifique se a lâmina frontal do squeegee (C) e lâmina traseira do squeegee (D) estão intactas, e se existem beiras e rachas. Substitua se necessário (refira aos passos na secção seguinte).
6. Reinstale o squeegee em ordem reversa.

INSPECÇÃO E SUBSTITUIÇÃO DA LÂMINA DO SQUEEGEE

1. Siga os métodos relacionados na secção anterior para limpar o squeegee (**Figura 15**).
2. Verifique a beira (**E, Figure 15**) da lâmina frontal do squeegee e a beira (F) da lâmina traseira do squeegee (D). Devem estar no mesmo nível por todo o comprimento. Caso contrário, ajuste as alturas através dos seguintes passos.
 - Solte o clipe (G) para que a lâmina traseira do squeegee (D) se separe do suporte (M) para o ajuste da posição do squeegee. Após o ajuste, bloqueie o clipe novamente.
 - Desaparafuse o encaixe (I) para ajustar a lâmina frontal do squeegee (C); aperte o parafuso do encaixe após o ajuste.
3. Verifique se a lâmina frontal do squeegee (C) e a lâmina traseira do squeegee (D) está intacta e se existem beiras e rachas partidas. Se necessário, substitua de acordo com os seguintes passos. Verifique se a beira frontal da lâmina traseira do squeegee (J) está desgastada. Se for o caso,

pode ser instalada ao contrário (a lâmina superior tem de estar intacta). Se a beira superior também estiver desgastada, substitua através dos passos abaixo:

- Solte o clipe (G) para deixar que a lâmina de pressão se separe do encaixe (M), retire a barra do clipe (K), e substitua ou gire a lâmina traseira do squeegee (D) ao contrário. Reinstale a lâmina traseira do squeegee em ordem contrária.
 - Desaparafuse o encaixe (I) para retirar a barra do clipe frontal (L), e substitua o squeegee frontal (C).
Reinstale a lâmina frontal do squeegee em ordem contrária.
Após substituir a lâmina do squeegee (ou instalar ao contrário), ajuste o nível das lâminas frontal e traseira do squeegee seguindo os passos acima.
4. Conecte o tubo de vácuo (11) ao squeegee.
 5. Instale o squeegee e utilize o botão (16) para o apertar, e conecte o tubo de vácuo ao squeegee.
 6. Se necessário, ajuste o squeegee através do volante de ajuste (20) (refira aos processos para ajuste do equilíbrio do squeegee).

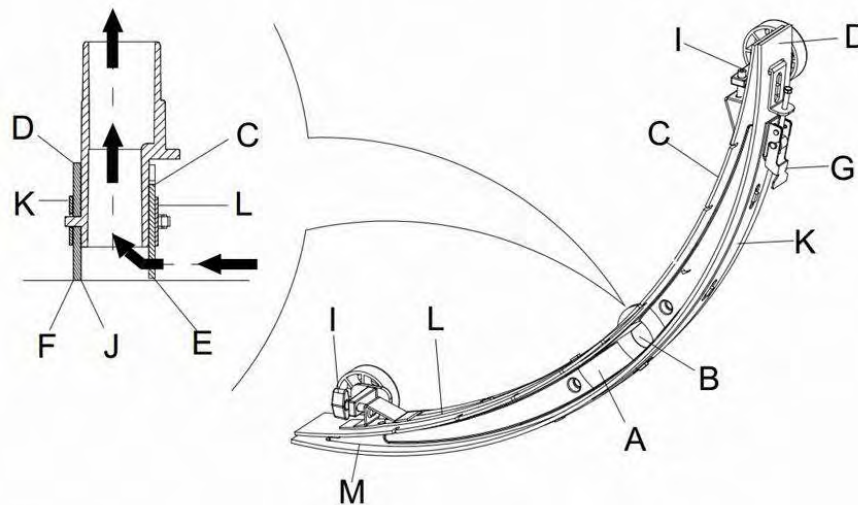


Figura 15

LIMPEZA DA ESCOVA/ALMOFADA



CUIDADO!

Quando limpar o suporte da escova/almofada, recomendamos que utilize luvas protectoras uma vez que poderá conter fragmentos afiados.

1. Seguindo os passos das secções anteriores, retire o suporte da escova/almofada.
2. Limpe o suporte da escova/almofada com água e detergente.
3. Verifique a condição de perfeição e desgaste dos pelos da escova e, se necessário, substitua a escova.
4. Verifique a condição de desgaste do suporte de almofada e, se necessário, substitua o suporte..

LIMPEZA DA REDE DO FILTRO DE FLUTUAÇÃO E TANQUE DE ÁGUA

1. Mova a máquina para um local dedicado a despejo.
2. Pressione o interruptor de energia (41) para a posição "O" para desligar a máquina.
3. Abra a tampa do tanque de recuperação (A, Figura 16), e retire o dispositivo de flutuação (36) do tanque de recuperação.
4. Utilize água pura para limpar a tampa (A), o tanque de recuperação (B e C), e o encaixe de suporte do filtro de flutuação (E). Drene toda a água do tanque através do tubo de recuperação (15).
5. Se necessário, seguindo os símbolos "Abrir" e "Fechar" como mostrado na Figura 16, abra a tampa inferior (F) do filtro de flutuação e limpe o objecto flutuante (D), o encaixe de suporte de filtro de flutuação (E), e a esponja do filtro (I). Após a limpeza, fixe o objecto de flutuação ao encaixe de suporte de filtro de flutuação (E), e alinhe a ranhura (L) da tampa inferior (F) do filtro de flutuação com a ranhura (L) encaixe de suporte de filtro de flutuação (E). Aperte bem a tampa inferior (F) do filtro de flutuação, e fixe a esponja do filtro (I) no encaixe de suporte de filtro de flutuação (E), e de seguida no tubo de vácuo (M).

- Verifique a solidez do anel de selagem (G) da tampa do tanque de água.

**NOTA**

A fita de selagem (G) do tanque de água faz com que o mesmo crie vácuo. Deve ser completamente selado para poder sugar efectivamente a água de desperdícios do chão.

Se necessário, a fita de selagem do tanque de água (G) pode ser retirada da ranhura (H) e substituída. Quando montar uma fita de selagem para o tanque de água, como mostrado na Figura 16 abaixo, instale o conector na secção do meio da parte traseira.

- Verifique se a superfície receptora da fita de selagem (G) está intacta e sela adequadamente.
- Feche a tampa do tanque de recuperação (A).

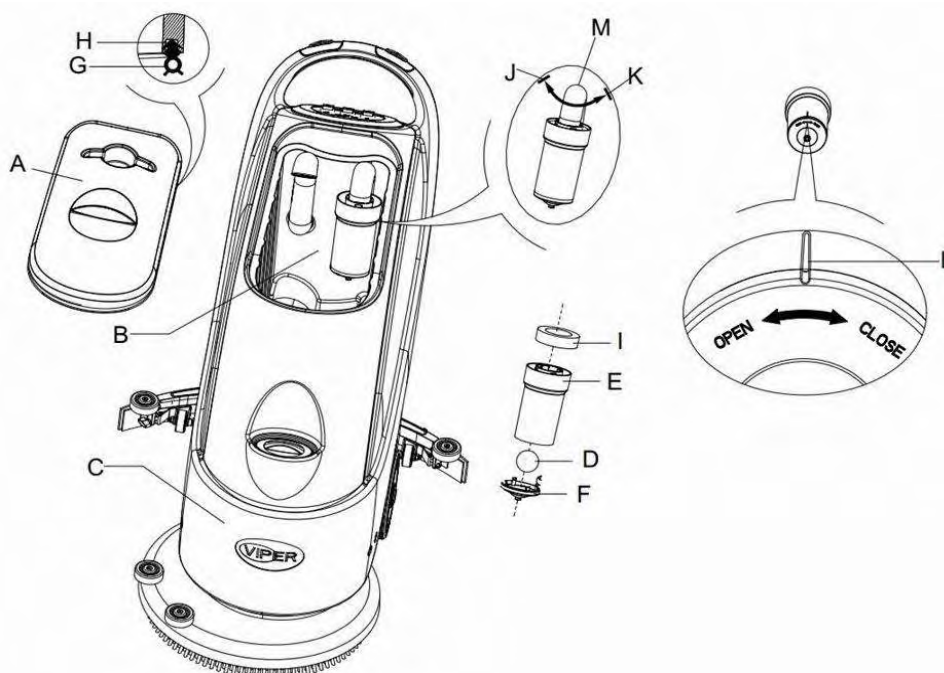


Figura 16

LIMPEZA DO FILTRO DE SOLUÇÃO

- Drene toda a água do tanque de solução como introduzido nas secções relacionadas.
- Mova a máquina para um local plano e suave.
- Pressione o interruptor de energia (41) para a posição "O" para desligar a máquina.
- Desligue a válvula de bola de drenagem (A, Figura 17) (localizada no fundo da máquina, atrás das rodas). Posição B: válvula de bola aberta; Posição C: válvula de bola fechada.
- Retire a tampa transparente (D), e retire o filtro (E), e instale-os na caixa de filtro (F) após a limpeza.

**NOTA**

O filtro (E) deve ser instalado correctamente na posição de projecção (G).

- Abra a válvula de bola de drenagem (A).

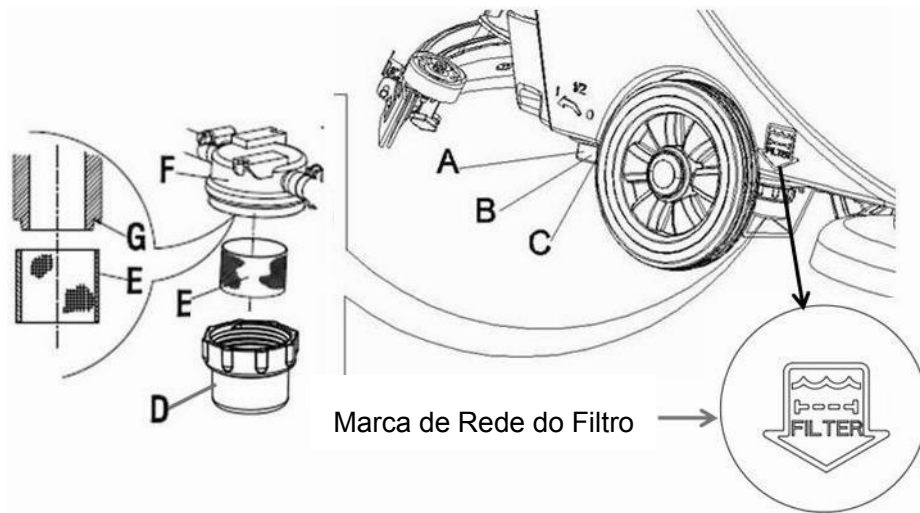
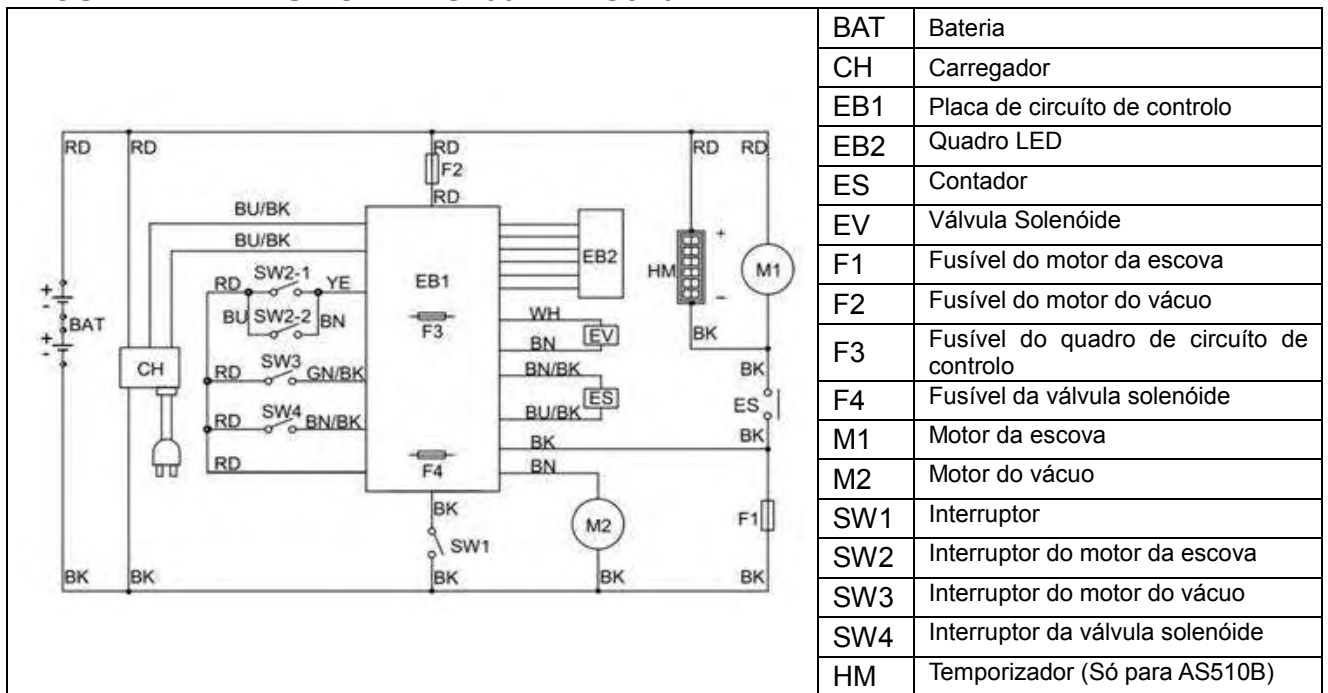


Figura 17

FIGURA DE CIRCUÍTO DE AS430B E AS510B



CÓDIGOS DE CORES

RD = vermelho	BN = Castanho	BU/BK = Azul/Preto
BU = Azul	YE = Amarelo	GN/BK= Verde/Preto
BK = Preto	WH = Branco	BN/BK= Castanho/Preto

RESOLUÇÃO DE PROBLEMAS

Avaria	Causas Prováveis	Soluções
Máquina não funciona: Luz indicadora não ligada	Conector da bateria (9) não ligado	Conecte o conector da bateria
	Bateria gasta	Carregue a bateria
Luz de aviso (39 e 40) a piscar	Motor de escova sobrecarregado	Mude para uma escova suave para se adaptar ao chão a ser limpo
	Outras substâncias obstruem a rotação da escova	Limpe a escova
Escova não funciona	Fusível de escova desligado	Reiniciar
	Cinto a escorregar	Inspeccione o cinto, ajuste o tambor de tensão
Motor de vácuo não funciona	Fusível de vácuo desligado	Reiniciar
Vácuo inadequado	Tanque de água de desperdício cheio	Drene o tanque de água
	Tubo de vácuo para desperdícios e squeegee mal conectados	Conecte o tubo de vácuo para lixo e squeegee
	Filtro de flutuação ou entrada bloqueados	Limpe o filtro de flutuação, verifique a bola de flutuação
	Sujidade no squeegee ou lamina do squeegee desgastada ou danificada	Limpe e inspeccione o squeegee
	Tampa do tanque de recuperação não está ligada, ou a fita de selagem do tanque de água está danificada	Repare a tampa, ou substitua a fita de selagem do tanque de água
Fornecimento de água pura para a escova inadequada	Filtro sujo	Limpe o filtro
Squeegee deixa marcas	Sujidade como fragmentos debaixo da lâmina do squeegee	Remova os fragmentos
	Lâmina do squeegee desgastada, partida, frágil	Substitua a lâmina do squeegee
	Equilíbrio do squeegee não ajustado	Ajuste o equilíbrio

**NOTA**

Se a máquina estiver instalada com o carregador on-board opcional, e quando o mesmo estiver com defeito, a máquina não pode ser operada.

Se o carregador on-board estiver com defeito, contacte o centro de manutenção autorizado.

Para mais informação, refira ao manual de manutenção (disponível em qualquer centro de manutenção da VIPER)

ELIMINAÇÃO DA MÁQUINA

Utilize uma máquina de destruição qualificada para destruir esta máquina.

Antes de destruir esta máquina, retire e segregue os seguintes materiais os quais, segundo as leis e regulamentos relacionados, devem ser processados correctamente.

- Bateria
- Suporte de escova/almofada
- Mangueiras de plásticos e componentes de plástico
- Componentes eléctricos e electrónicos (*)

(*): Contacte o centro VIPER mais próximo (especialmente quando for necessário demolir os componentes eléctricos e electrónicos).

ΠΕΡΙΕΧΟΜΕΝΑ

ΕΙΣΑΓΩΓΗ.....	130
ΠΕΡΙΕΧΟΜΕΝΑ ΕΓΧΕΙΡΙΔΙΟΥ.....	130
ΣΚΟΠΟΣ	130
ΑΝΤΑΛΛΑΚΤΙΚΑ ΚΑΙ ΣΥΝΤΗΡΗΣΗ	130
ΑΛΛΑΓΕΣ ΚΑΙ ΒΕΛΤΙΩΣΕΙΣ	130
ΠΕΔΙΟ ΕΦΑΡΜΟΓΗΣ	130
ΑΠΟΣΥΣΚΕΥΑΣΙΑ / ΜΕΤΑΦΟΡΑ.....	130
ΓΕΝΙΚΕΣ ΟΔΗΓΙΕΣ ΑΣΦΑΛΕΙΑΣ.....	131
ΤΕΧΝΙΚΑ ΣΤΟΙΧΕΙΑ.....	132
ΠΕΡΙΓΡΑΦΗ ΤΟΥ ΜΗΧΑΝΗΜΑΤΟΣ.....	132
ΔΟΜΗ ΤΟΥ ΜΗΧΑΝΗΜΑΤΟΣ	132
ΠΙΝΑΚΑΣ ΕΛΕΓΧΟΥ.....	133
ΛΥΧΝΙΑ ΕΝΔΕΙΞΗΣ ΠΑΡΑΘΥΡΟΥ ΟΘΟΝΗΣ ΦΟΡΤΙΣΤΗ.....	134
ΟΔΗΓΙΕΣ ΧΡΗΣΗΣ.....	134
ΕΓΚΑΤΑΣΤΑΣΗ ΚΑΙ ΡΥΘΜΙΣΗ ΤΗΣ ΜΠΑΤΑΡΙΑΣ ΤΟΥ ΚΑΙΝΟΥΡΙΟΥ ΜΗΧΑΝΗΜΑΤΟΣ	134
ΕΓΚΑΤΑΣΤΑΣΗ ΜΠΑΤΑΡΙΑΣ ΚΑΙ ΡΥΘΜΙΣΗ ΤΥΠΟΥ ΜΠΑΤΑΡΙΑΣ (WET ή GEL / AGM)	135
ΠΡΙΝ ΤΗΝ ΕΚΚΙΝΗΣΗ ΤΟΥ ΜΗΧΑΝΗΜΑΤΟΣ.....	136
ΕΓΚΑΤΑΣΤΑΣΗ ΚΑΙ ΞΕΦΟΡΤΩΜΑ ΤΗΣ ΒΟΥΡΤΣΑΣ / ΣΤΗΡΙΓΜΑΤΟΣ ΜΑΞΙΛΑΡΙΟΥ	136
ΡΥΘΜΙΣΗ ΤΗΣ ΙΣΟΡΡΟΠΙΑΣ ΤΟΥ ΜΑΚΤΡΟΥ	137
ΡΥΘΜΙΣΗ ΤΟΥ ΟΓΚΟΥ ΤΗΣ ΡΟΗΣ ΝΕΡΟΥ	138
ΕΚΚΙΝΗΣΗ ΚΑΙ ΤΕΡΜΑΤΙΣΜΟΣ ΤΟΥ ΜΗΧΑΝΗΜΑΤΟΣ.....	138
ΛΕΙΤΟΥΡΓΙΑ ΜΗΧΑΝΗΜΑΤΟΣ (ΤΡΙΨΙΜΟ ΚΑΙ ΣΤΕΓΝΩΜΑ).....	139
ΑΔΕΙΑΣΜΑ ΔΕΞΑΜΕΝΗΣ.....	139
ΜΕΤΑ ΑΠΟ ΤΗ ΧΡΗΣΗ ΤΟΥ ΜΗΧΑΝΗΜΑΤΟΣ.....	140
ΠΕΡΙΟΔΟΙ ΑΠΡΑΞΙΑΣ.....	140
ΧΡΗΣΗ ΓΙΑ ΠΡΩΤΗ ΦΟΡΑ.....	141
ΣΥΝΤΗΡΗΣΗ ΚΑΙ ΦΡΟΝΤΙΔΑ	141
ΠΙΝΑΚΑΣ ΠΡΟΓΡΑΜΜΑΤΙΣΜΕΝΗΣ ΣΥΝΤΗΡΗΣΗΣ	141
ΦΟΡΤΙΣΗ ΤΗΣ ΜΠΑΤΑΡΙΑΣ	142
ΚΑΘΑΡΙΣΜΟΣ ΤΟΥ ΜΑΚΤΡΟΥ.....	143
ΕΛΕΓΧΟΣ ΚΑΙ ΑΝΤΙΚΑΤΑΣΤΑΣΗ ΤΩΝ ΠΤΕΡΥΓΙΩΝ ΤΟΥ ΜΑΚΤΡΟΥ	143
ΚΑΘΑΡΙΣΜΟΣ ΒΟΥΡΤΣΑΣ / ΜΑΞΙΛΑΡΙΟΥ ΓΥΑΛΙΣΜΑΤΟΣ.....	144
ΚΑΘΑΡΙΣΜΟΣ ΔΕΞΑΜΕΝΗΣ ΝΕΡΟΥ ΚΑΙ ΦΙΛΤΡΟΥ ΕΠΙΠΛΕΥΣΗΣ.....	144
ΚΑΘΑΡΙΣΜΑ ΤΟΥ ΦΙΛΤΡΟΥ ΔΙΑΛΥΜΑΤΟΣ.....	145
ΕΙΚΟΝΑ ΚΥΚΛΩΜΑΤΩΝ ΤΩΝ ΜΟΝΤΕΛΩΝ AS430B ΚΑΙ AS510B	146
ΑΝΤΙΜΕΤΩΠΙΣΗ ΠΡΟΒΛΗΜΑΤΩΝ.....	146
ΑΠΟΡΡΙΨΗ ΤΟΥ ΜΗΧΑΝΗΜΑΤΟΣ	147

ΕΙΣΑΓΩΓΗ



ΣΗΜΕΙΩΣΗ

Οι αριθμοί στα στηρίγματα αναφέρονται στα σχετιζόμενα εξαρτήματα που φαίνονται στην ενότητα Περιγραφή μηχανήματος.

ΠΕΡΙΕΧΟΜΕΝΑ ΕΓΧΕΙΡΙΔΙΟΥ

Αυτό το εγχειρίδιο έχει σκοπό να δώσει στο χειριστή τις απαραίτητες πληροφορίες για να χρησιμοποιήσει το μηχάνημα σωστά και με ασφάλεια. Οι πληροφορίες αυτές περιλαμβάνουν τεχνικά δεδομένα, ασφάλεια, λειτουργία, αποθήκευση, συντήρηση και διάθεση του μηχανήματος. Ο χειριστής και οι τεχνικοί με τα σχετικά προσόντα πρέπει να μελετήσουν αυτό το εγχειρίδιο προσεκτικά πριν ξεκινήσουν τη λειτουργία και τη συντήρηση αυτού του μηχανήματος. Παρακαλούμε επικοινωνήστε με τη VIPER για τυχόν ερωτήματα πάνω στην εξήγηση αυτού του εγχειριδίου ή όταν χρειαστείτε περαιτέρω σχετικές πληροφορίες.

ΣΚΟΠΟΣ

Ο σκοπός αυτού του εγχειριδίου είναι να επιτρέψει στο χειριστή και στους εξειδικευμένους τεχνικούς να πραγματοποιήσουν τη συντήρηση αυτού του μηχανήματος.

Ο χειριστής δεν πρέπει να πραγματοποιεί τις λειτουργίες αυτές οι οποίες πρέπει να πραγματοποιούνται μόνο από τεχνικούς. Η VIPER δεν θα είναι υπεύθυνη για τυχόν ζημιές που θα προκληθούν από την παραβίαση αυτού του κανόνα.

ΑΝΤΑΛΛΑΚΤΙΚΑ ΚΑΙ ΣΥΝΤΗΡΗΣΗ

Όλες οι διαδικασίες λειτουργίας, συντήρησης, και επισκευής πρέπει να πραγματοποιούνται από εξειδικευμένο προσωπικό ή από τα κέντρα σέρβις της VIPER.

Θα πρέπει να χρησιμοποιούνται μόνο εγκεκριμένα εξαρτήματα και αξεσουάρ.

Εάν χρειάζεται να γίνει σέρβις και παραγγελία εξαρτημάτων και αξεσουάρ, παρακαλώ επικοινωνήστε με τη VIPER παρέχοντάς τους τον αριθμό μοντέλου του μηχανήματος και τους σειριακούς αριθμούς.

ΑΛΛΑΓΕΣ ΚΑΙ ΒΕΛΤΙΩΣΕΙΣ

Η VIPER κάνει συνεχείς βελτιώσεις στα προϊόντα της. Η VIPER διατηρεί το δικαίωμα να αλλάζει και να βελτιώνει τα μηχανήματα και επίσης το δικαίωμα να αποφασίζει από μόνη της αν τα πλεονεκτήματα των αλλαγών αυτών ισχύουν για τα προϊόντα που έχουν ήδη πουληθεί. Όλες οι αλλαγές και τα επιπλέον αξεσουάρ πρέπει να εγκριθούν από τη VIPER και πρέπει να πραγματοποιηθούν από την εταιρεία.

ΠΕΔΙΟ ΕΦΑΡΜΟΓΗΣ

Αυτή η πλυντρίδα χρησιμοποιείται σε οικιακό και βιομηχανικό περιβάλλον, και είναι κατάλληλη για τον καθαρισμό ομαλών και σκληρών δαπέδων (τρίψιμο και συλλογή απόβλητων υδάτων). Πρέπει να τη χρησιμοποιούν εγκεκριμένοι χειριστές και σε ασφαλές περιβάλλον. Αυτή η πλυντρίδα δεν μπορεί να χρησιμοποιηθεί για καθαρισμό εξωτερικών χώρων, χαλιών, και σε σχετικά τραχέα πατώματα.

ΑΠΟΣΥΣΚΕΥΑΣΙΑ / ΜΕΤΑΦΟΡΑ

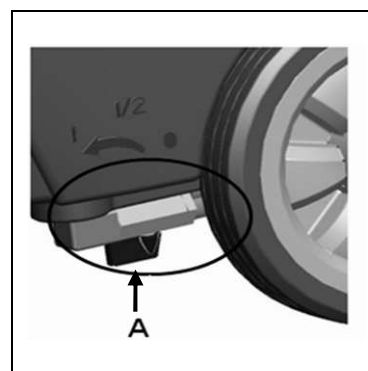
Παρακαλώ ακολουθήστε προσεκτικά τις οδηγίες στο πακέτο όταν το αποσυσκευάζετε.

Κατά την παράδοση, παρακαλώ ελέγξτε τη συσκευασία και το μηχάνημα για να βεβαιωθείτε ότι δεν έχει προκληθεί ζημιά κατά τη μεταφορά. Εάν υπάρχει κάποια εμφανής ζημιά, παρακαλώ κρατήστε την αρχική φόρμα, και ζητήστε από τον μεταφορέα να επιβεβαιώσει και να συμπληρώσει μια λίστα με τις ζημιές για την αποζημίωσή σας.



— ΠΡΟΣΟΧΗ

Κατά την αποσυσκευασία και το ξεφόρτωμα, ή κατά τη μεταφορά του μηχανήματος σε χώρο με σκαλιά, παρακαλώ κοιτάξτε να αποφεύγετε να πατάτε το διακόπτη on / off που ρυθμίζει τη ροή νερού, Μέρος A στην εικόνα στα δεξιά.



Ελέγξτε αν το μηχάνημα είναι εξοπλισμένο με τα ακόλουθα αντικείμενα:

1. Τεχνικά έγγραφα
 - Εγχειρίδιο χρήστη της πλυντρίδας
 - Εγχειρίδιο ενσωματωμένου φορτιστή (εάν υπάρχει)
2. Κονέκτορας για το φορτιστή (εάν δεν είναι εξοπλισμένη με ενσωματωμένο φορτιστή, βρίσκεται στον καθορισμένο εξωτερικό φορτιστή)

ΓΕΝΙΚΕΣ ΟΔΗΓΙΕΣ ΑΣΦΑΛΕΙΑΣ

Τα ακόλουθα είναι ειδικές προειδοποιήσεις και αναγγελίες για πιθανές ζημιές (προσωπικού και μηχανήματος):



ΠΡΟΣΟΧΗ!

- Το μηχάνημα μπορεί να λειτουργεί μόνο υπό την καθοδήγηση αυτού του εγχειριδίου. Θα πρέπει να χρησιμοποιούνται μόνο αξεσουάρ εγκεκριμένα από τη VIPER.
- Αυτό το μηχάνημα πρέπει να χρησιμοποιείται μόνο από κατάλληλα εκπαιδευμένο ή εξουσιοδοτημένο προσωπικό. Το μηχάνημα δεν πρέπει να το χρησιμοποιούν παιδιά ή ακατάλληλα άτομα.
- Υπό κανονική χρήση, η μπαταρία μπορεί να εκπέμψει εύφλεκτα αέρια. Η μπαταρία πρέπει να φυλάσσεται μακριά από αντικείμενα με ακτινοβολία, φωτισμό και φωτιά καθώς και μακριά από σπίθες. Όταν το μηχάνημα βρίσκεται σε χρήση, παρακαλώ βεβαιωθείτε ότι το περιβάλλον εξαερίζεται καλά και βρίσκεται μακριά από γυμνές φλόγες. Όταν φορτίζει, παρακαλείστε να μην καπνίζετε στην περιοχή του μηχανήματος.
- Παρακαλώ αποσυνδέστε την μπαταρία πριν κάνετε οποιαδήποτε ενέργεια συντήρησης / επισκευής.
- Πριν τη χρήση του ενσωματωμένου φορτιστή, παρακαλώ βεβαιωθείτε ότι οι τιμές τάσης και συχνότητας όπως φαίνονται στο αυτοκόλλητο του σειριακού αριθμού ταιριάζουν με εκείνες του ηλεκτρικού δικτύου.
- Όταν δουλεύετε δίπλα σε ηλεκτρικά μέρη, παρακαλώ να μην φοράτε κοσμήματα. Παρακαλούμε να λάβετε όλα τα προληπτικά μέτρα για να αποφύγετε το πιάσιμο μαλλιών, κοσμημάτων, και φαρδιών ρούχων από τα κινούμενα μέρη του μηχανήματος.
- Παρακαλώ να μην χρησιμοποιείτε αυτό το μηχάνημα σε ιδιαίτερα βρόμικες περιοχές. Μην πλένετε το μηχάνημα απευθείας με νερό. Μην αφήσετε το μηχάνημα να έρθει σε επαφή με διαβρωτικά υγρά.
- Η θερμοκρασία για αποθήκευση και για το περιβάλλον λειτουργίας του μηχανήματος πρέπει να είναι από 0 έως 40⁰ C.
- Η υγρασία θα πρέπει να βρίσκεται μεταξύ 30% και 105%.
- Παρακαλώ μην χρησιμοποιείτε το μηχάνημα σε επιφάνεια με κλίση μεγαλύτερη του 2%.
- Σε περίπτωση πυρκαγιάς, παρακαλώ χρησιμοποιήστε πυροσβεστήρες ξηρής σκόνης. Μην χρησιμοποιείτε πυροσβεστήρες υγρού.
- Θα πρέπει να δίνετε μεγάλη προσοχή όταν μεταφέρετε το μηχάνημα σε θερμοκρασίες κάτω από 0⁰ C. Η δεξαμενή νερού και το νερό στους σωλήνες, μπορεί να παγώσουν και να προκαλέσουν σοβαρές ζημιές στη μηχανή.
- Χρησιμοποιήστε τις βούρτσες και τα μαξιλαράκια που παρέχονται με το μηχάνημα και αυτά που καθορίζονται στο Εγχειρίδιο χρήστη. Η χρήση άλλων βουρτσών και μαξιλαριών μπορεί να μειώσει την ασφάλεια.
- Σε περίπτωση δυσλειτουργίας του μηχανήματος παρακαλώ βεβαιωθείτε ότι δεν έχει προκληθεί από έλλειψη συντήρησης. Εάν έχει προκληθεί από άλλες συνθήκες, παρακαλώ αναζητήστε τη βοήθεια εξουσιοδοτημένου προσωπικού ή κάποιου Κέντρου σέρβις.
- Εάν επιβεβαιωθεί ότι τα εξαρτήματα πρέπει να αντικατασταθούν, παρακαλούμε να εξασφαλίσετε γνήσια ανταλλακτικά από εξουσιοδοτημένους εμπόρους ή πράκτορες.
- Για να εξασφαλισθεί η ασφαλής και σωστή λειτουργία του μηχανήματος, παρακαλώ αφήστε το εξουσιοδοτημένο προσωπικό ή το Κέντρο σέρβις να κάνει την προγραμματισμένη συντήρηση με βάση το πρόγραμμα συντήρησης στις σχετικές ενότητες του εγχειριδίου.
- Αυτό το μηχάνημα πρέπει να απορριφθεί με σωστό τρόπο επειδή μπορεί να περιέχει δηλητηριώδεις και επικίνδυνες ουσίες (μπαταρίες, κ.λπ.), και αυτές οι ουσίες πρέπει να απορρίπτονται από εξειδικευμένα κέντρα σύμφωνα με τους σχετικούς νόμους και κανονισμούς (παρακαλώ ανατρέξτε στην ενότητα απόρριψης του μηχανήματος).

ΤΕΧΝΙΚΑ ΣΤΟΙΧΕΙΑ

Μοντέλο	AS430B	AS510B
Ύψος μηχανήματος	980mm	
Χωρητικότητα της δεξαμενής διαλύματος	40 λίτρα	
Χωρητικότητα της δεξαμενής ανάκτησης	40 λίτρα	
Διάμετρος του τροχού μεταφοράς	200mm	
Διάμετρος του τροχού οδήγησης	76mm	
Ισχύς του κινητήρα του συστήματος απορρόφησης	350w	
Μέγιστη κλίση κατά τη λειτουργία	2% (Μέγ.)	
Επίπεδο ηχητικής πίεσης στο χώρο εργασίας	70dB(A) ±3dB(A)	
Κανονικές μπαταρίες	(2×12V) 24V 85Ah AGM	(2×12V) 24V 105Ah AGM
Μέγεθος του χώρου μπαταρίας (B x M x Y)	340 x 330 x 260mm (Μέγ.)	
Περιεκτικότητα κυκλώματος συστήματος αναρρόφησης	1200 mm H ₂ O	
Πλάτος καθαρισμού	430mm	510mm
Πλάτος μάκτρο	730mm	790mm
Μέγιστο μήκος μηχανήματος	1060mm	1100mm
Πλάτος μηχανήματος χωρίς μάκτρο	480mm	540mm
Διάμετρος βούρτσας	430mm	510mm
Βάρος με μπαταρίες και με άδειες δεξαμενές	112kg	128kg
Μεικτό βάρος του μηχανήματος όταν είναι έτοιμο για χρήση	152kg	168kg
Ισχύς κινητήρα βούρτσας	550W	560W
Ταχύτητα βούρτσας	150rpm	
Στήριγμα βούρτσας / μαξιλαριού Μέγιστη πίεση	30 kg (Μέγ.)	35 kg (Μέγ.)
Μέγεθος συσκευασίας (M x B x Y)	1200 x 610 x 1170mm	

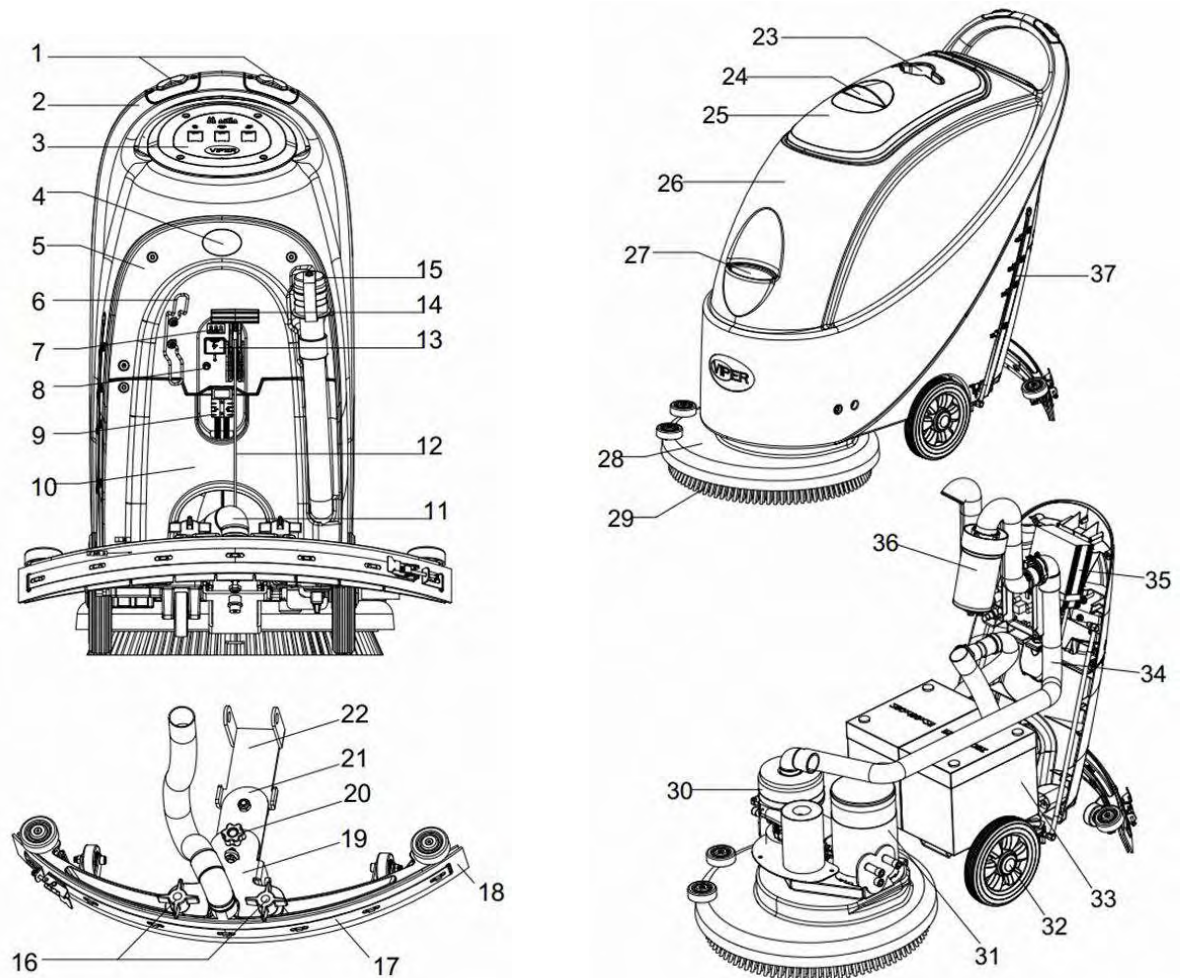
ΠΕΡΙΓΡΑΦΗ ΤΟΥ ΜΗΧΑΝΗΜΑΤΟΣ

ΔΟΜΗ ΤΟΥ ΜΗΧΑΝΗΜΑΤΟΣ

1. Διακόπτης ασφαλείας
2. Μπάρα χειρισμού
3. Πίνακας ελέγχου
4. Πινακίδα σειριακού αριθμού / Τεχνικά δεδομένα/ Πιστοποίηση συμμόρφωσης
5. Κάλυμμα ελέγχου
6. Στήριγμα καλωδίων (*)
7. Λυχνία ένδειξης φόρτισης μπαταρίας
8. Διακόπτης επαναφοράς
9. Σύνδεση μπαταρίας
10. Κάλυμμα μπαταρίας
11. Σωλήνας απορρόφησης για απόβλητα
12. Καλώδιο άντλησης μάκτρο
13. Κάλυμμα ασφαλείας σύνδεσης μπαταρίας
14. Λαβή ανύψωσης μάκτρο
15. Σωλήνας στράγγισης
16. Σταθερός διακόπτης μάκτρο
17. Κλιπ μάκτρο
18. Λεπίδα μάκτρο
19. Πλαίσιο στηρίγματος μάκτρο
20. Τροχός χειρός ρύθμισης μάκτρο
21. Πλαίσιο οπίσθιας στήριξης μάκτρο
22. Πλαίσιο εμπρόσθιας στήριξης μάκτρο
23. Θήκη κυπέλλου
24. Χερούλι καλύμματος δεξαμενής ανάκτησης
25. Κάλυμμα της δεξαμενής ανάκτησης
26. Σώμα δεξαμενής
27. Κάλυμμα εισόδου νερού
28. Διάταξη βούρτσας
29. Στήριγμα βούρτσας / μαξιλαριού
30. Κινητήρας συστήματος απορρόφησης
31. Κινητήρας βούρτσας
32. Τροχός 8 ιντσών
33. Μπαταρία
34. Σωλήνας απορρόφησης
35. Φορτιστής (*)
36. Φίλτρο επίπλευσης
37. Σωλήνας επιπέδου νερού (για ένδειξη της ποσότητας νερού στη δεξαμενή διάλυσης)

(*) ισχύει μόνο σε μηχανήματα που έχουν ήδη εγκατασταθεί με ενσωματωμένο φορτιστή (προαιρετικά)

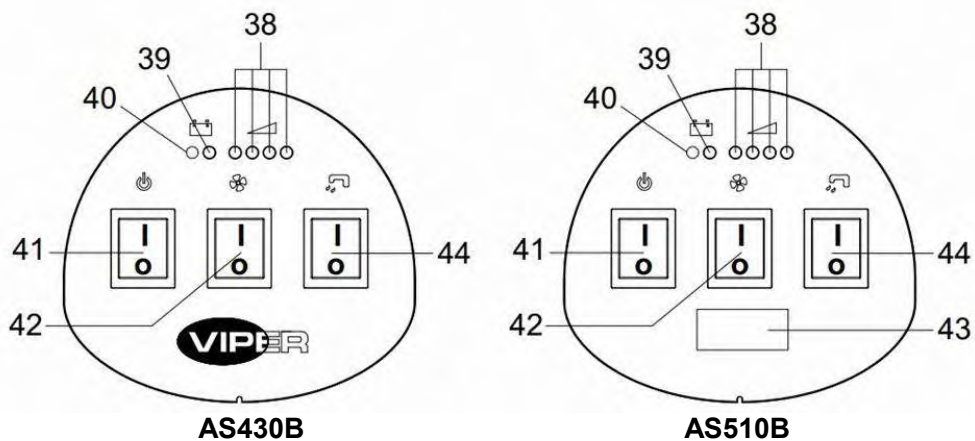
ΕΙΚΟΝΕΣ ΤΗΣ ΔΟΜΗΣ ΤΟΥ ΜΗΧΑΝΗΜΑΤΟΣ



Εικόνα 1

ΠΙΝΑΚΑΣ ΕΛΕΓΧΟΥ (Εικόνα 2)

- 38. Λυχνία ένδειξης φόρτισης μπαταρίας (πράσινη μετά την πλήρωση)
- 39. Λυχνία ένδειξης εξαντλημένης μπαταρίας (Κόκκινη)
- 40. Λυχνία ένδειξης εξαντλημένης μπαταρίας (Κόκκινη)
- 41. Διακόπτης ρεύματος
- 42. Διακόπτης απορρόφησης
- 43. Χρονόμετρο (προαιρετικό, χρησιμοποιείται για να μετράει το χρόνο λειτουργίας της βούρτσας)
- 44. Διακόπτης σωληνοειδούς βαλβίδας για έλεγχο ψεκασμού νερού

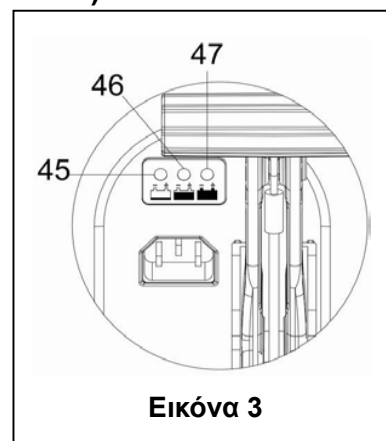


Εικόνα 2

ΛΥΧΝΙΑ ΕΝΔΕΙΞΗΣ ΠΑΡΑΘΥΡΟΥ ΟΘΟΝΗΣ ΦΟΡΤΙΣΤΗ (Εικόνα 3)

(Προαιρετικό, ισχύει για τα μοντέλα με ενσωματωμένο φορτιστή)

1. Όταν ξεκινάει η φόρτιση, η κόκκινη ενδεικτική λυχνία του φορτιστή (45) αναβοσβήνει μερικές φορές και μετά σταθεροποιείται και γίνεται μόνιμη κόκκινη ενδεικτική λυχνία, καθώς μπαίνει στην πρώτη φάση φόρτισης.
2. Αφού φορτίσει για μια χρονική περίοδο, η κόκκινη ενδεικτική λυχνία του φορτιστή (45) σβήνει, μια κίτρινη ενδεικτική λυχνία (46) ανάβει μόνιμα: μπαίνει στο δεύτερο στάδιο φόρτισης.
3. Αφού φορτίσει για περίπου 10 ώρες, η πορτοκαλί ενδεικτική λυχνία (46) σβήνει, (47) η πράσινη ενδεικτική λυχνία ανάβει μόνιμα, υποδεικνύοντας ότι η φόρτιση είναι πλήρης, και ότι έχει ολοκληρωθεί.



ΣΗΜΕΙΩΣΗ

- 1) Κατά τη φόρτιση, εάν αναβοσβήσει η κίτρινη ενδεικτική λυχνία: η μπαταρία δεν είναι συμβατή με το φορτιστή, ή η μπαταρία δεν έχει συνδεθεί σωστά, ή έγινε βραχυκύκλωμα στο τερματικό εξόδου.
- 2) Εάν αναβοσβήνει η κόκκινη ενδεικτική λυχνία: υπάρχει βραχυκύκλωμα μέσα στο φορτιστή. (Για λεπτομέρειες, παρακαλώ ανατρέξτε στις σχετικές ενότητες, στις οδηγίες του φορτιστή.)

ΟΔΗΓΙΕΣ ΧΡΗΣΗΣ



ΠΡΟΕΙΔΟΠΟΙΗΣΗ

Σε ορισμένα μέρη του μηχανήματος υπάρχουν κολλημένα κάποια ενδεικτικά σήματα:

- ΚΙΝΔΥΝΟΣ
- ΠΡΟΕΙΔΟΠΟΙΗΣΗ
- ΠΡΟΣΟΧΗ
- ΣΥΜΒΟΥΛΗ

Κατά την ανάγνωση αυτού του εγχειριδίου, ο χειριστής πρέπει να προσέξει ιδιαίτερα τα σύμβολα σε αυτά τα σήματα.

Σε καμία περίπτωση να μην καλύπτονται αυτά τα σήματα. Εάν πάθουν ζημιά, παρακαλώ να τα αντικαταστήσετε άμεσα.

ΕΓΚΑΤΑΣΤΑΣΗ ΚΑΙ ΡΥΘΜΙΣΗ ΤΗΣ ΜΠΑΤΑΡΙΑΣ ΤΟΥ ΚΑΙΝΟΥΡΙΟΥ ΜΗΧΑΝΗΜΑΤΟΣ



ΠΡΟΕΙΔΟΠΟΙΗΣΗ

Εάν η μπαταρία εγκατασταθεί με λάθος τρόπο ή συνδεθεί λάθος, τα ηλεκτρικά εξαρτήματα του μηχανήματος μπορεί να πάθουν σοβαρή ζημιά. Η μπαταρία πρέπει να εγκαθίσταται μόνο από εξειδικευμένο προσωπικό. Με βάση τον αριθμό μοντέλου μπαταρίας (WET ή GEL) που χρησιμοποιείται, ρυθμίστε τη λειτουργική πλάκετα κυκλώματος και τον ενσωματωμένο φορτιστή (προαιρετικό).

Παρακαλώ ελέγξτε για ζημιές στη μπαταρία πριν την εγκατάσταση.

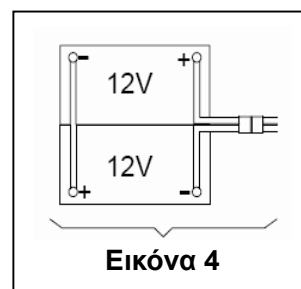
Αποσυνδέστε τη σύνδεση της μπαταρίας και το βύσμα του ενσωματωμένου φορτιστή.

Να προσέχετε όταν αγγίζετε την μπαταρία.

Αυτό το μηχάνημα χρειάζεται δύο (2) 12V μπαταρίες. Παρακαλώ κάντε τη σύνδεση όπως φαίνεται στην **Εικόνα 4** στα δεξιά.

Αυτό το μηχάνημα μπορεί να τροφοδοτήσει οποιοδήποτε από τα παρακάτω μοντέλα:

- α) Οι μπαταρίες (WET ή GEL/ AGM) είναι ήδη εγκατεστημένες και μπορούν να χρησιμοποιηθούν οποιαδήποτε στιγμή.



1. Ελέγξτε τη μπαταρία. Μέσω της σύνδεσης (9) συνδέστε τη μπαταρία στο μηχάνημα.
2. (Ισχύει μόνο για το AS430B και το AS510B): Πατήστε το διακόπτη on / off (41). Εάν η πράσινη λυχνία είναι αναμμένη, σημαίνει ότι η μπαταρία είναι έτοιμη για χρήση. Εάν η πορτοκαλί ή η κόκκινη λυχνία είναι αναμμένη, σημαίνει ότι η μπαταρία θέλει φόρτιση. (Παρακαλώ ανατρέξτε στην ενότητα συντήρησης για σχετικές διαδικασίες).

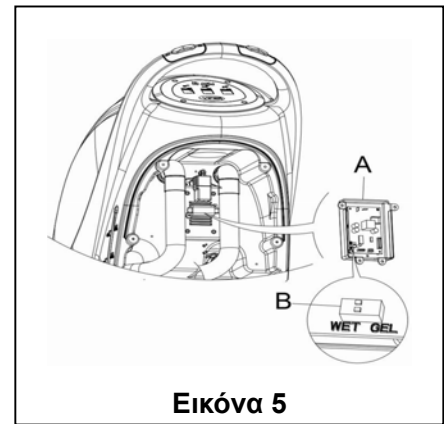
β) Χωρίς μπαταρίες

1. Αγοράστε παρόμοια μπαταρία (ανατρέξτε στην ενότητα των τεχνικών παραμέτρων). Πληροφορίες για την επιλογή μπαταρίας μπορούν να ληφθούν από εξειδικευμένο προσωπικό μπαταριών.
2. Ρυθμίστε το μηχάνημα και τους ενσωματωμένους φορτιστές (εάν υπάρχουν) με βάση τον τύπο μπαταριών (WET ή GEL / AGM). Επίσης διαβάστε την ακόλουθη παράγραφο για τον τρόπο εγκατάστασης της μπαταρίας.

ΕΓΚΑΤΑΣΤΑΣΗ ΜΠΑΤΑΡΙΑΣ ΚΑΙ ΡΥΘΜΙΣΗ ΤΥΠΟΥ ΜΠΑΤΑΡΙΑΣ (WET ή GEL / AGM)

Με βάση τον τύπο της μπαταρίας (WET ή GEL / AGM) ρυθμίστε την πλακέτα του ηλεκτρικού κυκλώματος στον ενσωματωμένο φορτιστή. Οι διαδικασίες είναι οι ακόλουθες:

1. Βεβαιωθείτε ότι η σύνδεση της μπαταρίας έχει αποσυνδεθεί. Εάν το μηχάνημα βασιζόταν σε μπαταρία «AGM» μετά την εργοστασιακή παραγωγή, πηγαίνετε κατευθείαν στο Βήμα 8, αλλιώς, ολοκληρώστε τα βήματα 2, 3 και 4.
2. Βγάλτε το σωλήνα στράγγισης (15)
3. Εάν είναι εξοπλισμένο με ενσωματωμένο φορτιστή, παρακαλώ βγάλτε το καλώδιο φόρτισης από το καρούλι.
4. Βγάλτε το κάλυμμα ελέγχου (5), και τις βίδες του καλύμματος μπαταρίας (10). Αφαιρέστε τις βίδες στη βάση PCB. Μπορείτε να δείτε το διακόπτη DIP (B) για τη ρύθμιση του μοντέλου της μπαταρίας όταν γυρνάτε ανάποδα την πλακέτα PCB. (Ανατρέξτε στην **Εικόνα 5**)
5. Γυρίστε το μικρό διακόπτη DIP (B) στη θέση «WET»,
6. Ολοκληρώστε τα βήματα 3,4 και 5 με αντίστροφη σειρά.



Εικόνα 5

Εγκατάσταση μπαταριών

7. Αποσυνδέστε το βύσμα της μπαταρίας.
8. Ανοίξτε το κάλυμμα της δεξαμενής ανάκτησης (25) και ελέγξτε εάν η δεξαμενή ανάκτησης είναι άδεια ή όχι. Εάν δεν είναι, αδειάστε την μέσω του σωλήνα στράγγισης (15).
9. Ξεβιδώστε τη σταθερή λαβή του μάρκρου (16), αποσυνδέστε το βύσμα που συνδέει το σωλήνα απορρόφησης απορριμμάτων (11) στο μάρκρο, και μετά βγάλτε το μάρκρο.
10. Ξεβιδώστε τις βίδες του καλύμματος της μπαταρίας (10) και αφαιρέστε το κάλυμμα.
11. Ξεβιδώστε το βύσμα του καλωδίου άντλησης του μάρκρου (12) που συνδέεται στο στήριγμα του μάρκρου (19), και κρεμάστε το καλώδιο άντλησης του μάρκρου ανάποδα.
12. Κρεμάστε το σωλήνα στράγγισης (15) και το σωλήνα απορρόφησης απορριμμάτων (15) προς τα πάνω.
13. Ανάλογα με το μέγεθος της μπαταρίας, πιέστε την πλακέτα στερέωσης στο κουτί της μπαταρίας τελείως προς τα μέσα.

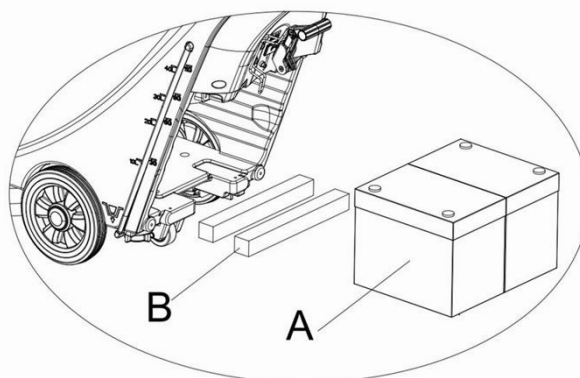


ΣΗΜΕΙΩΣΗ

Οι διαστάσεις της μπαταρίας δεν πρέπει να ξεπερνούν: Υ x Π x Χ: 330 x 170 x 260mm

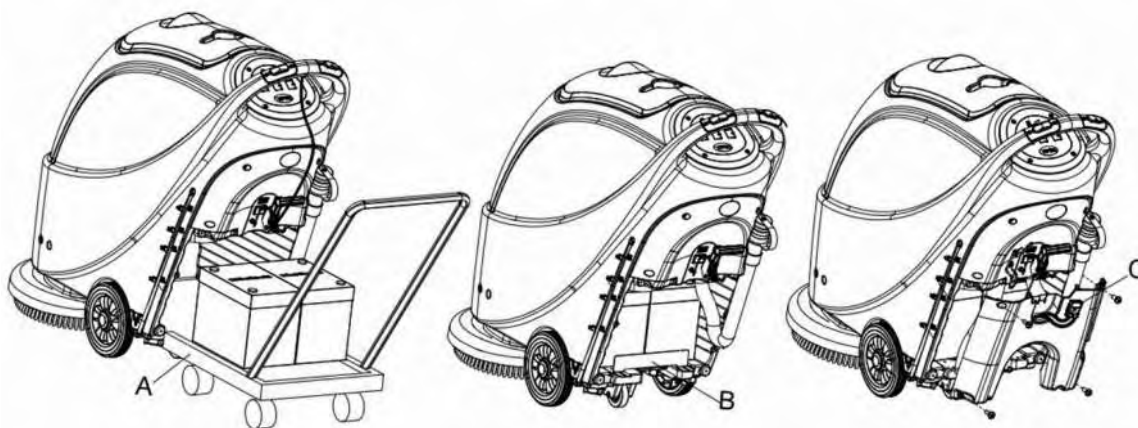
Με βάση τις διάφορες διαστάσεις των μπαταριών, οι απαιτήσεις για την επιλογή σταθερών μπαταριών είναι οι ακόλουθες:

- 1) Για μπαταρία με μήκος κάτω από 270χλστ., χρησιμοποιήστε 2 κομμάτια από την πλακέτα στερέωσης (**B, Εικόνα 6**) και τοποθετήστε τα δίπλα δίπλα μέσα στη μπαταρία της δεξαμενής νερού.
- 2) Για μπαταρία με μήκος ανάμεσα σε 310χλστ - 270χλστ, χρησιμοποιήστε 1 κομμάτι από την πλακέτα στερέωσης (**B, Εικόνα 6**) και τοποθετήστε το στην μπαταρία της δεξαμενής νερού,
- 3) Για μπαταρία με μήκος ανάμεσα σε 330χλστ - 310χλστ, δεν χρειάζεται η πλακέτα στερέωσης για να τη στερεώσετε στη θέση της.



Εικόνα 6

14. Εγκαταστήστε την μπαταρία με ειδικά φτιαγμένα εργαλεία εγκατάστασης μπαταριών (A, Εικόνα 7). Αφού εγκατασταθεί η μπαταρία, αφαιρέστε τα εργαλεία εγκατάστασης μπαταριών, και εγκαταστήστε το στήριγμα στερέωσης μπαταρίας (B, Εικόνα 7).



Εικόνα 7

15. Βάλτε το βύσμα σύνδεσης της μπαταρίας (C, Εικόνα 7) μέσα στην τρύπα στο πάνω μέρος του καλύμματος του κουτιού της μπαταρίας, βάλτε το σωλήνα στράγγισης μέσα στη δεξιά τρύπα του καλύμματος του κουτιού της μπαταρίας, στερεώστε το κάλυμμα του κουτιού της μπαταρίας με 4 βίδες, και μετά εγκαταστήστε το καλώδιο άντλησης του μάκτρο, και στη συνέχεια το μάκτρο.

Φόρτιση της μπαταρίας

16. Για να φορτίσετε τη μπαταρία (ανατρέξτε στα βήματα που αναφέρονται στην ενότητα συντήρησης).

ΠΡΙΝ ΤΗΝ ΕΚΚΙΝΗΣΗ ΤΟΥ ΜΗΧΑΝΗΜΑΤΟΣ

ΕΓΚΑΤΑΣΤΑΣΗ ΚΑΙ ΞΕΦΟΡΤΩΜΑ ΤΗΣ ΒΟΥΡΤΣΑΣ / ΣΤΗΡΙΓΜΑΤΟΣ ΜΑΞΙΛΑΡΙΟΥ



ΣΗΜΕΙΩΣΗ

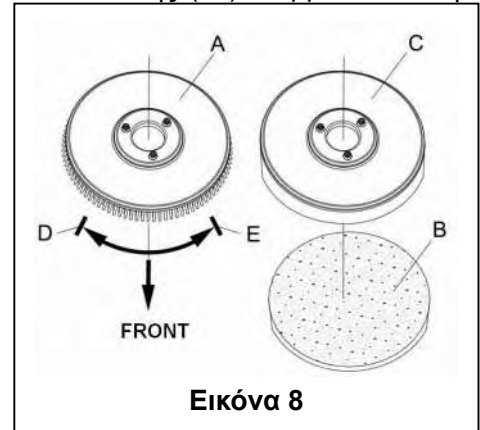
Ανάλογα με το είδος του πατώματος που θα καθαριστεί, το μηχάνημα μπορεί να εγκατασταθεί με βούρτσα (Εικόνα 8 A), ή με στήριγμα μαξιλαριού (Εικόνα 8, B και C).



ΠΡΟΣΟΧΗ!

Όταν εγκαθιστάτε ή ξεφορτώνετε χειροκίνητα τη βούρτσα / στήριγμα μαξιλαριού, πρώτα να ελέγχετε αν όλοι οι διακόπτες είναι κλειστοί και να σηκώσετε το μάκτρο από το πάτωμα, γιατί μόνο τότε μπορείτε να δουλέψετε στη βούρτσα / στήριγμα μαξιλαριού. Επιπλέον, παρακαλούμε φορέστε προστατευτικά γάντια για να αποφύγετε κοψίματα από θραύσματα.

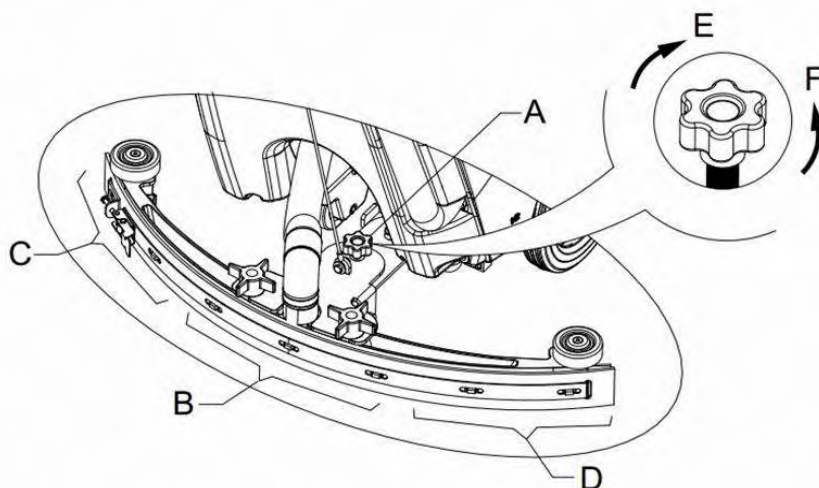
1. (Ισχύει μόνο για μοντέλα **AS430B** και **AS510B**): φροντίστε ο διακόπτης (41) να βρίσκεται στην κατάσταση **(O)** αποσύνδεσης.
2. Πιέστε προς τα κάτω τη χειρολαβή (2) για να σηκώσετε το σώμα της δεξαμενής (26).
3. Βάλτε τη βούρτσα (A) ή το στήριγμα του μαξιλαριού (B – C) κάτω από τη θήκη.
4. Χρησιμοποιήστε τη λαβή χρήσης (2) για να χαμηλώσετε το σώμα της δεξαμενής (26) για να έρθει σε επαφή με τη βούρτσα ή το στήριγμα του μαξιλαριού.
5. Για να εγκαταστήσετε τη βούρτσα / στήριγμα μαξιλαριού αυτόματα, γυρίστε το διακόπτη λειτουργίας (41) στη θέση «I» και πιέστε προς τα κάτω το διακόπτη ασφαλείας (1). Πιέστε απαλά το μηχάνημα προς τα εμπρός έτσι ώστε να ακολουθήσει τη ζώνη του τροχού στο κάτω μέρος του σώματος της δεξαμενής για να ευθυγραμμιστεί με τη βούρτσα ή το στήριγμα του μαξιλαριού το οποίο μπορεί μετά να εγκατασταθεί. Μετά απελευθερώστε το διακόπτη ασφαλείας. Εάν είναι απαραίτητο, επαναλάβετε αυτή τη διαδικασία μέχρι να εγκατασταθεί η βούρτσα / στήριγμα μαξιλαριού.
6. Εάν το βήμα 5 πιο πάνω σας φανεί δύσκολο, χρησιμοποιήστε τη χειροκίνητη μέθοδο ακολουθώντας την κεφαλή του βέλους (D) για να εγκαταστήσετε τη βούρτσα / στήριγμα μαξιλαριού (όπως φαίνεται στην **Εικόνα 8**).
7. Για να ξεφορτώσετε αυτόματα τη βούρτσα / στήριγμα μαξιλαριού, γυρίστε το διακόπτη ρεύματος (41) στη θέση «O». Με το χέρι κρατήστε τη χειρολαβή, και πιέστε το μηχάνημα προς τα κάτω μέχρι ο τροχός οδήγησης να ακουμπήσει το πάτωμα και η βούρτσα / στήριγμα μαξιλαριού να κρέμεται στον αέρα. Γυρίστε το διακόπτη ρεύματος (41) στη θέση «I», και πιέστε προς τα κάτω το διακόπτη ασφαλείας για να αφήσετε τη βούρτσα ή το στήριγμα μαξιλαριού να γυρίσει μέχρι η βούρτσα / στήριγμα μαξιλαριού να πέσει στο πάτωμα.
8. Εάν το βήμα 7 πιο πάνω σας φανεί δύσκολο, χρησιμοποιήστε τη χειροκίνητη μέθοδο γυρνώντας τη βούρτσα / στήριγμα μαξιλαριού σε αντίθετη κατεύθυνση από την κανονική, και έτσι μπορεί να αφαιρεθεί (όπως φαίνεται στην **Εικόνα 8**).



Εικόνα 8

ΡΥΘΜΙΣΗ ΤΗΣ ΙΣΟΡΡΟΠΙΑΣ ΤΟΥ ΜΑΚΤΡΟΥ

9. Εγκαταστήστε το μάκτρο και γυρίστε το σφικτά με τη λαβή. Μετά συνδέστε το σωλήνα απορρόφησης για τα απορρίμματα στο μάκτρο.
10. Ρυθμίστε το μάκτρο μέσω της λαβής ρύθμισης (A) του μάκτρου (ανατρέξτε στην **Εικόνα 9**).
 - 1) Εάν η μεσαία περιοχή της πίσω λωρίδας του μάκτρου, περιοχή B, έχει ένα κενό από το πάτωμα ή η προς τα κάτω πίεση είναι σχετικά μικρή, ρυθμίστε τη λαβή με φορά αντίθετη του ρολογιού μέχρι όλο το μήκος της πίσω λωρίδας του μάκτρου να ακουμπάει καλά το πάτωμα. Η μπροστινή λωρίδα του μάκτρου θα πρέπει να ακουμπάει ελαφρά το πάτωμα.
 - 2) Εάν τα δύο άκρα της πίσω λωρίδας του μάκτρου, τομείς C και D, έχουν ένα κενό με το έδαφος ή η προς τα κάτω πίεση είναι σχετικά μικρή, ρυθμίστε τη λαβή με τη φορά του ρολογιού μέχρι όλο το μήκος της πίσω λωρίδας του μάκτρου να ακουμπάει καλά το πάτωμα. Η μπροστινή λωρίδα του μάκτρου θα πρέπει να ακουμπάει ελαφρά το πάτωμα.



Εικόνα 9

Γέμισμα δεξαμενής καθαριστικού διαλύματος



ΠΡΟΣΟΧΗ!

Μπορούν να χρησιμοποιηθούν μόνο μη εύφλεκτα απορρυπαντικά και απορρυπαντικά χαμηλού αφρού. Αυτά τα απορρυπαντικά πρέπει να είναι κατάλληλα για χρήση με πλυντρίδες.

11. Ανοίξτε το κάλυμμα της εισόδου νερού (27) και προσθέστε νερό στη δεξαμενή διαλύματος. Μην παραγεμίζετε τη δεξαμενή. Το γέμισμα μέχρι την άκρη του στηρίγματος του φίλτρου της εισόδου νερού είναι αρκετό. Όταν προετοιμάζετε τα διαλύματα καθαρισμού, παρακαλώ να ακολουθείτε τα ποσοστά αραιώσεως που παρέχονται από τη χημική παραγωγή και η θερμοκρασία του νερού δεν πρέπει να ξεπερνάει τους 40⁰ C.

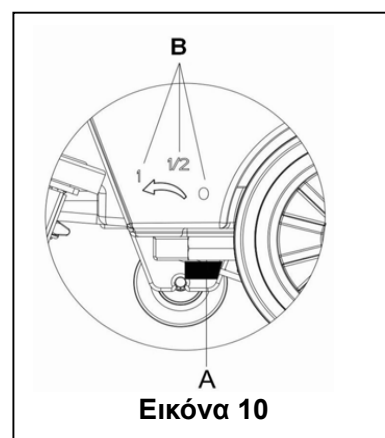
ΡΥΘΜΙΣΗ ΤΟΥ ΟΓΚΟΥ ΤΗΣ ΡΟΗΣ ΝΕΡΟΥ



ΠΡΟΣΟΧΗ!

Η ρύθμιση της λαβής της σφαιρικής βαλβίδας (A, Εικόνα 10) πρέπει να γίνει με την προϋπόθεση ότι ο διακόπτης ρεύματος (41) είναι στη θέση «Ο».

12. Η ένταση της ροής του νερού μπορεί να ρυθμιστεί μέσω της λαβής της σφαιρικής βαλβίδας (A, Εικόνα 10) με βάση το ποσοστό του νερού που χρειάζεται στην πραγματικότητα για το τρίψιμο του πατώματος.



Εικόνα 10

ΕΚΚΙΝΗΣΗ ΚΑΙ ΤΕΡΜΑΤΙΣΜΟΣ ΤΟΥ ΜΗΧΑΝΗΜΑΤΟΣ

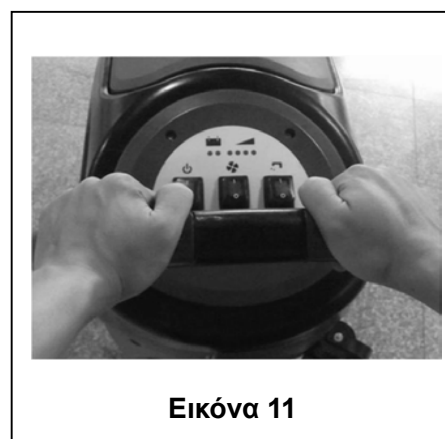
Εκκίνηση του μηχανήματος

1. Ολοκληρώστε τα βήματα προετοιμασίας όπως αναφέρθηκε πιο πάνω.
2. Πιέστε το διακόπτη ρεύματος στη θέση «I».
3. Χρησιμοποιήστε τη λαβή του μάκτρο (41) για να χαμηλώσετε το μάκτρο.
4. Πιέστε το διακόπτη αντλίας απορρόφησης (42) στη θέση «I».
5. Πιέστε το διακόπτη ελέγχου έντασης ροής νερού (44) στη θέση «I». (Δουλέψτε ταυτόχρονα με το διακόπτη ασφαλείας (1) για να ελέγξετε τη δουλειά της σωληνοειδούς βαλβίδας.)
6. Κρατήστε το διακόπτη ασφαλείας (1) και σπρώξτε για να μετακινήσετε το μηχανήμα. Η βούρτσα (29) αρχίζει να περιστρέφεται, και το μηχανήμα αρχίζει την καθαριστική του δουλειά.



ΣΥΜΒΟΥΛΗ: Τρόπος σπρωξίματος του μηχανήματος

Ένα από τα χαρακτηριστικά του μηχανήματος είναι η εγκατάσταση δύο διακοπών ασφαλείας σε κάθε πλευρά της χειρολαβής. Κάθε διακόπτης ασφαλείας είναι ικανός να ελέγξει ανεξάρτητα τη λειτουργία της βούρτσας. Στη χρήση, διευκολύνει τον έλεγχο της λειτουργίας του μηχανήματος. Από την εμπειρία μας, η μέθοδος για να μετακινήσετε το μηχανήμα η οποία φαίνεται δεξιά στην Εικόνα 11 είναι πιο κατάλληλη, οι χρήστες νιώθουν πιο άνετα τα χέρια τους, και μειώνει την κόυραση της δουλειάς. Άρα προτείνεται οι χρήστες να μετακινούν το μηχανήμα με αυτό τον τρόπο.

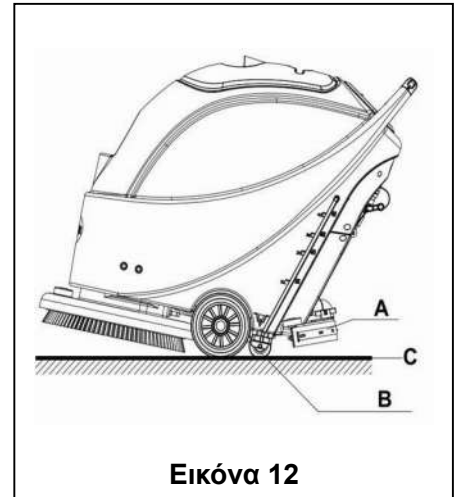


Εικόνα 11

Απενεργοποίηση του μηχανήματος

7. Όταν τελειώσετε με τη χρήση του μηχανήματος, ξεφορτώστε πρώτα τη βούρτσα / στήριγμα μαξιλαριού (ανατρέξτε στα σχετικά βήματα στην ενότητα εγκατάστασης και ξεφορτώματος της βούρτσας / στήριγμα μαξιλαριού)
8. Απελευθερώστε το διακόπτη ασφαλείας (1) για να κλείσετε τη βούρτσα / στήριγμα μαξιλαριού και τη σωληνοειδή βαλβίδα.

9. Πιέστε το διακόπτη αντλίας απορρόφησης (42) στη θέση «Ο», και η αντλία απορρόφησης θα καθυστερήσει 5 δευτερόλεπτα πριν σταματήσει να λειτουργεί.
10. Πιέστε το διακόπτη ελέγχου έντασης της υδρορροής (44) στη θέση «Ο» για να κλείσετε εντελώς τη σωληνοειδή βαλβίδα.
11. Πιέστε το διακόπτη λειτουργίας (41) στη θέση «Ο».
12. Χρησιμοποιήστε τη λαβή ανύψωσης του μάκτρο (14) για να σηκώσετε το μάκτρο.
13. Πιάστε τη χειρολαβή (2) και απαλά γείρετε το μηχάνημα προς τα πίσω μέχρι ο τροχός οδήγησης (B) να ακουμπήσει το πάτωμα. Ανατρέξτε στην **Εικόνα 12**.



Εικόνα 12

ΛΕΙΤΟΥΡΓΙΑ ΜΗΧΑΝΗΜΑΤΟΣ (ΤΡΙΨΙΜΟ ΚΑΙ ΣΤΕΓΝΩΜΑ)

1. Ξεκινήστε το μηχάνημα με βάση την περιγραφή πιο πάνω.
2. Κρατήστε το διακόπτη ασφαλείας (1) (με βάση τον τρόπο που φαίνεται στην **Εικόνα 11**), σπρώξτε για να μετακινήσετε το μηχάνημα, και ξεκινήστε τον καθαρισμό.
3. Εάν είναι απαραίτητο, σβήστε το μηχάνημα, και προσαρμόστε τη ρυθμιστική λαβή του μάκτρο. (Ανατρέξτε στα βήματα για την προσαρμογή της ισορροπίας του μάκτρο)
4. Εάν είναι απαραίτητο, σβήστε το μηχάνημα, και προσαρμόστε την ένταση της ροής νερού με τη λαβή της σφαιρικής βαλβίδας. (Ανατρέξτε στα βήματα για την προσαρμογή της έντασης της ροής νερού.)



ΠΡΟΣΟΧΗ!

Για να αποφύγετε τη ζημιά του πατώματος, όταν το μηχάνημα μένει σε ένα μέρος χωρίς να κινείται, παρακαλούμε να κλείσετε το διακόπτη ρεύματος (41).

Αποφόρτιση της μπαταρίας κατά τη λειτουργία

5. Μόνο όταν η πράσινη προειδοποιητική λυχνία (38) είναι συνεχόμενα αναμμένη, η τροφοδοσία της μπαταρίας είναι επαρκής για την κανονική λειτουργία του μηχανήματος.



ΣΗΜΕΙΩΣΗ

Όταν και οι τέσσερις πράσινες λυχνίες (38) ανάψουν, φαίνεται ότι η μπαταρία είναι πλήρως φορτισμένη.

Όταν μόνο η τελευταία πράσινη λυχνία (38) είναι αναμμένη, και ξεκινάει να αναβοσβήνει, προτείνεται η φόρτιση της μπαταρίας, γιατί το μηχάνημα θα σταματήσει αυτόματα μετά από λίγα λεπτά.

Αφού κλείσει και η τελευταία πράσινη λυχνία (38), και ξεκινήσει να αναβοσβήνει η κόκκινη λυχνία (39 και 40), το μηχάνημα θα σταματήσει αυτόματα μετά από μερικά δευτερόλεπτα. (Ανατρέξτε στα σχετικά βήματα στην ενότητα της συντήρησης).



ΠΡΟΣΟΧΗ!

Μην χρησιμοποιείτε το μηχάνημα όταν η τροφοδοσία της μπαταρίας είναι ανεπαρκής, έτσι ώστε να αποφύγετε τη ζημιά της μπαταρίας και την μείωση της διάρκειας ζωής της μπαταρίας.

ΑΔΕΙΑΣΜΑ ΔΕΞΑΜΕΝΗΣ

Όταν η δεξαμενή ανάκτησης είναι γεμάτη, το φλοτέρ στη συσκευή αυτόματου κλεισίματος με φλοτέρ (36), θα μπλοκάρει την είσοδο που συνδέεται με την αντλία απορρόφησης. Μέσω μιας απότομης αύξησης του θορύβου της αντλίας απορρόφησης, μπορεί να θεωρηθεί ότι η αντλία απορρόφησης είναι ήδη υπερφορτωμένη και απαιτείται άμεση στράγγιση των αποβλήτων.



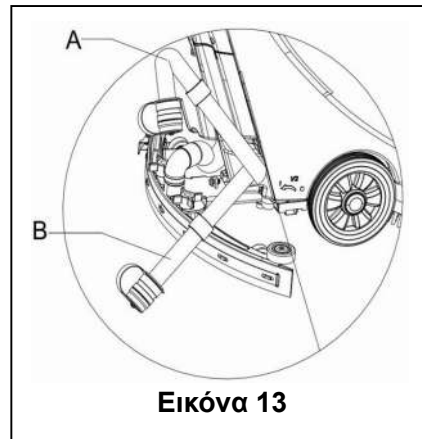
ΠΡΟΣΟΧΗ!

Εάν η αντλία απορρόφησης ξαφνικά κλείσει (π.χ. επειδή το μηχάνημα μετακινήθηκε ξαφνικά με αποτέλεσμα να ενεργοποιηθεί το φλοτέρ), και αν χρειαστεί επανεκκίνηση της λειτουργίας, παρακαλούμε πραγματοποιήστε τα ακόλουθα βήματα: πιέστε το διακόπτη ρεύματος (41 και 42) για να κλείσετε το ρεύμα και την αντλία απορρόφησης, και ανοίξτε το κάλυμμα της δεξαμενής ανάκτησης (25) για να ελέγξετε εάν έχει επιστρέψει το φίλτρο επίπλευσης στην επιφάνεια του νερού. Μετά κλείστε το κάλυμμα της δεξαμενής ανάκτησης (25), και πιέστε το διακόπτη ρεύματος (41 και 42) για να ανοίξετε το ρεύμα και την αντλία απορρόφησης.

Όταν η δεξαμενή ανάκτησης είναι εντελώς γεμάτη με απόβλητα, ακολουθήστε τα παρακάτω βήματα για να τη στραγγίξετε.

Αδειασμα της δεξαμενής ανάκτησης

1. Απενεργοποιήστε το μηχάνημα.
2. Με τη χρήση της λαβής του μάκτρο (14), σηκώστε το μάκτρο.
3. Μετακινήστε το μηχάνημα σε χώρο που να προορίζεται αποκλειστικά για άδειασμα.
4. Πιάστε τη χειρολαβή (2) και απαλά φέρτε το μηχάνημα προς τα πίσω μέχρι ο τροχός οδήγησης να ακουμπήσει το πάτωμα. (Για την τοποθέτηση του μηχανήματος παρακαλώ ανατρέξτε στις διαδικασίες στο τέλος της ενότητας του μηχανήματος.)
5. Βγάλτε το σωλήνα στράγγισης από το κλιπ στερέωσης, λυγίστε το πάνω μέρος του σωλήνα στράγγισης (όπως φαίνεται στο **A**, **Εικόνα 13**), και μετά ανοίξτε το κάλυμμα του σωλήνα στράγγισης και χαμηλώστε το σωλήνα στράγγισης σε ένα χαμηλό επίπεδο ή στο έδαφος για να αδειάσετε το νερό. Εναλλακτικά, τοποθετήστε απευθείας το σωλήνα στράγγισης σε χαμηλή θέση ή στο έδαφος έτσι ώστε η έξοδος του νερού να είναι προς τα κάτω (όπως φαίνεται στο **B**, **Εικόνα 13**), και μετά ανοίξτε το καπάκι στράγγισης, και μετά ανοίξτε το καπάκι στράγγισης νερού γυρνώντας το για να αδειάσετε τα απόβλητα από τη δεξαμενή. Αφού τελειώσει η στράγγιση, χρησιμοποιήστε καθαρό νερό για να καθαρίσετε το εσωτερικό της δεξαμενής ανάκτησης.

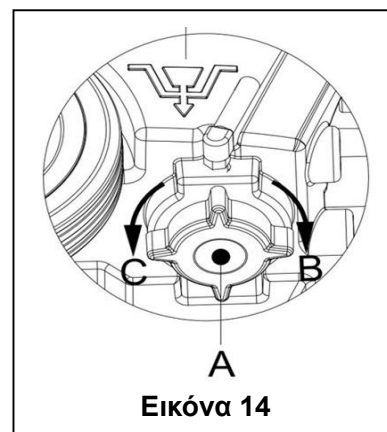


ΠΡΟΣΟΧΗ!

Όταν αδειάζετε τα απόβλητα, ο σωλήνας απορρόφησης αποβλήτων πρέπει να είναι διπλωμένος ή χαμηλωμένος σε χαμηλότερη θέση (όπως φαίνεται στην **Εικόνα 13 A** ή **B**), και μετά να ανοίξετε το καπάκι του σωλήνα απορρόφησης αποβλήτων για να στραγγίξετε το νερό. Μη γυρίσετε την έξοδο του σωλήνα απορρόφησης αποβλήτων προς τα πάνω για να αδειάσετε το νερό κάθετα. Αυτό γίνεται για να αποφύγετε το χύσιμο αποβλήτων στον χειριστή.

Αδειασμα δεξαμενής καθαριστικού διαλύματος

6. Ολοκληρώστε τα βήματα 1 ως 4.
7. Όπως φαίνεται στην **Εικόνα 14**, ανοίξτε γυρνώντας το καπάκι της δεξαμενής καθαριστικού διαλύματος (A) με φορά αντίστροφη του ρολογιού C, και αδειάστε τη δεξαμενή καθαριστικού διαλύματος εντελώς. Χρησιμοποιήστε καθαρό νερό για να καθαρίσετε το εσωτερικό της δεξαμενής καθαριστικού διαλύματος. Όταν τελειώσει η δουλειά, γυρίστε σφικτά το καπάκι της δεξαμενής καθαριστικού διαλύματος (A) προς τη φορά του ρολογιού στην κατεύθυνση B.



ΜΕΤΑ ΑΠΟ ΤΗ ΧΡΗΣΗ ΤΟΥ ΜΗΧΑΝΗΜΑΤΟΣ

Όταν τελειώσει η δουλειά και πριν αφήσετε το μηχάνημα, ολοκληρώστε τα παρακάτω βήματα:

1. Ακολουθήστε τη διαδικασία όπως περιγράφεται στην προαναφερόμενη ενότητα για εγκατάσταση και ξεφόρτωση της βούρτσας / στηρίγματος μαξιλαριού, και βγάλτε τη βούρτσα / στηρίγμα μαξιλαριού.
2. Ακολουθώντας τις διαδικασίες που έχουν περιγραφεί στις σχετικές ενότητες, αδειάστε εντελώς το νερό από τη δεξαμενή καθαριστικού διαλύματος και από την δεξαμενή ανάκτησης.
3. Ολοκληρώστε τις καθημερινές διαδικασίες συντήρησης (ανατρέξτε στην ενότητα συντήρησης).
4. Αποθηκεύστε το μηχάνημα, μαζί με τη βούρτσα / στηρίγμα μαξιλαριού και το μάκτρο, σε καθαρό και στεγνό μέρος. Το μάκτρο πρέπει να ανυψωθεί ή να βγει.

ΠΕΡΙΟΔΟΙ ΑΠΡΑΞΙΑΣ

Εάν το μηχάνημα δεν πρόκειται να χρησιμοποιηθεί για πάνω από 30 μέρες, παρακαλώ κάντε τα εξής:

1. Ολοκληρώστε την απαραίτητη διαδικασία που πρέπει να ακολουθηθεί μετά τη χρήση του μηχανήματος.
2. Αποσυνδέστε το βύσμα (9) που συνδέει τη μπαταρία και το μηχάνημα.
3. Για να μην κάνετε ζημιά στην μπαταρία, και αν το μηχάνημα δεν πρόκειται να χρησιμοποιηθεί για πάνω από 3 μήνες, παρακαλώ να φορτίζετε την μπαταρία μία φορά κάθε 3 μήνες.

ΧΡΗΣΗ ΓΙΑ ΠΡΩΤΗ ΦΟΡΑ

Μετά από 9 ώρες χρήσης, παρακαλώ ελέγξτε τα μέρη για να βεβαιωθείτε ότι τίποτα δεν έχει ξεβιδώσει ή έχει πάθει ζημιά κατά τη λειτουργία, και ελέγξτε αν υπάρχουν εμφανείς ζημιές ή διαρροές.

ΣΥΝΤΗΡΗΣΗ ΚΑΙ ΦΡΟΝΤΙΔΑ

Η διάρκεια λειτουργίας και η μέγιστη ασφάλεια λειτουργίας του μηχανήματος εξασφαλίζονται από την έγκαιρη συντήρηση και φροντίδα.

Ο ακόλουθος πίνακας παρέχει ένα γενικό πλάνο συντήρησης για το μηχάνημα. Τα χρονικά διαστήματα της συντήρησης καθορίζονται σε μεγάλο βαθμό από τις συνθήκες εργασίας της μηχανής. Αυτά τα χρονικά διαστήματα θα πρέπει να διατυπώνονται από το προσωπικό που είναι υπεύθυνο για τη συντήρηση.



ΠΡΟΣΟΧΗ!

Αυτές οι διαδικασίες θα πρέπει να γίνονται μόνο αφού έχει κλείσει το ρεύμα του μηχανήματος και έχει αποσυνδεθεί το βύσμα που συνδέει το μηχάνημα με την μπαταρία. Πριν προχωρήσετε σε οποιαδήποτε διαδικασία συντήρησης, παρακαλούμε μελετήστε προσεκτικά τις σχετικές ενότητες ασφαλείας.

Όλες οι συντηρήσεις του σχεδίου ή όλες οι επιπλέον συντηρήσεις πρέπει να γίνονται από εξειδικευμένο προσωπικό ή από εξουσιοδοτημένα κέντρα σέρβις.

Αυτό το εγχειρίδιο περιγράφει μόνο τις πιο εύκολες και κοινές διαδικασίες συντήρησης.

Για κάθε διαδικασία συντήρησης πέρα από αυτές που αναφέρονται σε αυτόν τον πίνακα προγραμματισμένων συντηρήσεων, παρακαλώ ανατρέξτε στο εγχειρίδιο συντηρήσεων του κέντρου σέρβις.

ΠΙΝΑΚΑΣ ΠΡΟΓΡΑΜΜΑΤΙΣΜΕΝΗΣ ΣΥΝΤΗΡΗΣΗΣ

Διαδικασία	Καθημερινά, το μηχάνημα μετά τη χρήση	Μία φορά τη βδομάδα	Κάθε 6 μήνες	Μία φορά το χρόνο
Φορτίστε τη μπαταρία				
Καθαρίστε το μάκτρο				
Καθαρίστε τη βούρτσα / στήριγμα μαξιλαριού				
Καθαρίστε τη δεξαμενή νερού και το φίλτρο επίπλευσης, ελέγξτε τις στεγανωτικές λωρίδες της δεξαμενής νερού.				
Ελέγξτε και αλλάξτε τη λωρίδα του μάκτρου.				
Καθαρίστε το φίλτρο διαλύματος				
Καθαρίστε το φίλτρο της αντλίας απορρόφησης				
Ελέγξτε το επίπεδο υγρού της μπαταρίας WET				
Ελέγξτε το σφίξιμο των παξιμαδιών και των μπουλονιών			(1)	
Ελέγξτε ή αλλάξτε τα καρβουνάκια της βούρτσας ή του στηρίγματος μαξιλαριού				(2)
Ελέγξτε ή αλλάξτε τα καρβουνάκια της αντλίας απορρόφησης				(2)

(1) Θα πρέπει να γίνει 9 ώρες μετά την εκκίνηση του μηχανήματος

(2) Αυτές οι διαδικασίες συντήρησης πρέπει να εκτελεστούν από εξουσιοδοτημένο Κέντρο σέρβις της Viper.

ΦΟΡΤΙΣΗ ΤΗΣ ΜΠΑΤΑΡΙΑΣ**ΣΗΜΕΙΩΣΗ**

Είναι ώρα να φορτίσετε την μπαταρία όταν η πορτοκαλί ή η κόκκινη προειδοποιητική λυχνία ανάψουν, ή κάθε φορά που τελειώνει η δουλειά.

**ΠΡΟΣΟΧΗ!**

Να έχετε τη μπαταρία πλήρως φορτισμένη για να επεκτείνετε τη διάρκεια λειτουργίας της μπαταρίας.

**ΠΡΟΣΟΧΗ!**

Μόλις η ενέργεια της μπαταρίας γίνει ανεπαρκής, η μπαταρία πρέπει να φορτιστεί το συντομότερο δυνατό. Παρακαλώ ελέγξτε το φορτιστή τουλάχιστον μία φορά την εβδομάδα.

**ΠΡΟΣΟΧΗ!**

Εάν δεν υπάρχει ενσωματωμένος φορτιστής, παρακαλώ επιλέξτε έναν κατάλληλο εξωτερικό φορτιστή για να φορτίσετε την μπαταρία.

**ΠΡΟΣΟΧΗ!**

Ιδιαίτερη προσοχή πρέπει να δοθεί κατά τη φόρτιση της μπαταρίας διότι μπορεί να υπάρξει διαρροή οξέος κατά τη διάρκεια της διαδικασίας φόρτισης. Το οξύ της μπαταρίας είναι διαβρωτικό. Εάν το δέρμα ή τα μάτια έρθουν κατά λάθος σε επαφή, παρακαλώ ξεπλύνετε με πολύ νερό και επισκεφθείτε γιατρό.

1. Ανοίξτε το καπάκι της δεξαμενής ανάκτησης (25) και παρατηρήστε αν η δεξαμενή ανάκτησης είναι άδεια ή όχι. Αν δεν είναι άδεια, αδειάστε την μέσω του σωλήνα στράγγισης. (15).
2. Μετακινήστε το μηχάνημα στην καθορισμένη περιοχή φόρτισης.
3. Πιέστε το διακόπτη ρεύματος (41) στη θέση «O» για να κλείσετε το μηχάνημα.
4. Ισχύει μόνο για μπαταρία προσθήκης νερού WET
 - Ελέγξτε το επίπεδο των ηλεκτρολυτών μέσα στην μπαταρία. Εάν είναι απαραίτητο, γεμίστε την μέχρι το καπάκι.
 - Να έχετε όλα τα καπάκια ανοικτά.
 - Εάν χρειαστεί, καθαρίστε την πάνω επιφάνεια της μπαταρίας.
5. Επιλέξτε μία από τις ακόλουθες διαδικασίες για να φορτίσετε την μπαταρία με βάση το μοντέλο της μπαταρίας που χρησιμοποιείται.

Να φορτίσετε την μπαταρία με εξωτερικό φορτιστή

6. Ελέγξτε, με βάση το σχετικό εγχειρίδιο, εάν ο εξωτερικός φορτιστής είναι κατάλληλος. Η τάση εξόδου πρέπει να είναι DC 24V.
7. Συνδέστε το βύσμα της μπαταρίας στο εξωτερικό βύσμα, και συνδέστε το εξωτερικό βύσμα στο ρεύμα.
8. Όταν ολοκληρωθεί η φόρτιση, συνδέστε το βύσμα φόρτισης της μπαταρίας στο μηχάνημα.

Για να φορτίσετε μια μπαταρία με ενσωματωμένο φορτιστή (προαιρετικά)

9. Βγάλτε το λαστιχένιο καπάκι από την άκρη του βύσματος φόρτισης της μπαταρίας.
10. Συνδέστε την άκρη του βύσματος φόρτισης της μπαταρίας με το ρεύμα, με καλώδιο φόρτισης ρεύματος. (Παρακαλώ σημειώστε αν το ρεύμα εισόδου του ενσωματωμένου φορτιστή είναι 220V – 240V και το ρεύμα εξόδου 24V και εάν η συχνότητα πληροί τις προϋποθέσεις.) Όταν ο φορτιστής είναι συνδεδεμένος στο ρεύμα, όλες οι άλλες λειτουργίες θα διακοπούν αυτόματα. Αν η κόκκινη προειδοποιητική λυχνία στον ενσωματωμένο φορτιστή συνεχίζει να ανάβει, δείχνει ότι ο φορτιστής φορτίζει την μπαταρία.
11. Όταν η πράσινη προειδοποιητική λυχνία (47) είναι αναμμένη, δείχνει ότι η διαδικασία φόρτισης της μπαταρίας έχει ολοκληρωθεί.
12. Όταν ολοκληρωθεί η φόρτιση, βγάλτε το συνδεδεμένο καλώδιο από την άκρη του βύσματος φόρτισης της μπαταρίας και από την παροχή ηλεκτρικού ρεύματος, και βάλτε πάλι το λαστιχένιο καπάκι.
13. Αποσυνδέστε το καλώδιο φόρτισης από την παροχή ηλεκτρικού ρεύματος, και τυλίξτε το καλώδιο στο καρούλι (6).

**ΣΗΜΕΙΩΣΗ**

Εάν χρειάζεστε περισσότερες πληροφορίες για τον ενσωματωμένο φορτιστή (35), παρακαλώ ανατρέξτε στο σχετικό εγχειρίδιο.

ΚΑΘΑΡΙΣΜΟΣ ΤΟΥ ΜΑΚΤΡΟΥ**ΣΗΜΕΙΩΣΗ**

Για να διατηρηθεί το καλύτερο αποτέλεσμα του απορροφητή νερού, το μάκτρο πρέπει να διατηρείται καθαρό, και η λωρίδα του μάκτρου πρέπει να παραμένει σε καλή κατάσταση.

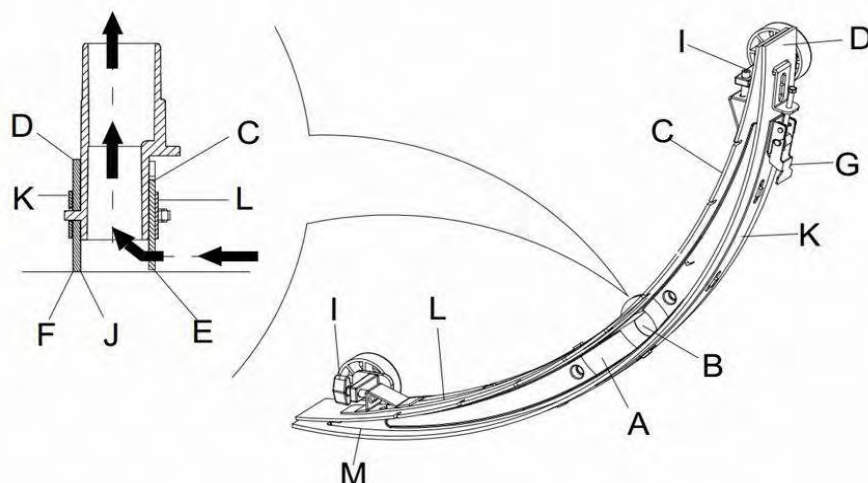
**ΠΡΟΣΟΧΗ!**

Όταν καθαρίζετε το μάκτρο, συνιστάται να φοράτε προστατευτικά γάντια διότι το μάκτρο μπορεί να περιέχει κοφτερά θραύσματα.

1. Μετακινήστε το μηχάνημα σε επίπεδη και λεία επιφάνεια.
2. Πιέστε το διακόπτη ρεύματος (41) στη θέση «Ο» για να κλείσετε το μηχάνημα.
3. Ξεβιδώστε τη στερεωμένη λαβή (16) του μάκτρου, βγάλτε το βύσμα που συνδέει το σωλήνα ανάκτησης απορρόφησης του μάκτρου, και βγάλτε το μάκτρο.
4. Χρησιμοποιήστε τη χειρολαβή ανύψωσης του μάκτρου (14) για να σηκώσετε το πλαίσιο στήριξης του μάκτρου.
5. Καθαρίστε το μάκτρο (**Εικόνα 15**). Καθαρίστε κυρίως το αυλάκι (**A**, **Εικόνα 15**) και τη βρομιά και τα θραύσματα στο σωλήνα απορρόφησης. Ελέγξτε αν το μπροστινό πτερύγιο του μάκτρου (C) και το πίσω πτερύγιο του μάκτρου (D) είναι ανέπαφα και αν υπάρχουν σπασμένες άκρες και ραγίσματα. Να τα αλλάξετε αν χρειάζεται (ανατρέξτε στα βήματα στην ακόλουθη ενότητα).
6. Εγκαταστήστε ξανά το μάκτρο με την αντίθετη σειρά από την παραπάνω.

ΕΛΕΓΧΟΣ ΚΑΙ ΑΝΤΙΚΑΤΑΣΤΑΣΗ ΤΩΝ ΠΤΕΡΥΓΙΩΝ ΤΟΥ ΜΑΚΤΡΟΥ

1. Ακολουθώντας τις μεθόδους που αναφέρθηκαν στην προηγούμενη ενότητα καθαρίστε το μάκτρο (**Εικόνα 15**).
2. Ελέγξτε την άκρη (**E**, **Εικόνα 15**) του μπροστινού πτερυγίου του μάκτρου και την άκρη (F) του πίσω πτερυγίου του μάκτρου (D). Σε όλο τους το μήκος, θα πρέπει να είναι στο ίδιο επίπεδο. Διαφορετικά, προσαρμόστε τα ύψη τους με την ακόλουθη διαδικασία.
 - Χαλαρώστε το κλιπ (G) για να μπορέσει το πίσω πτερύγιο του μάκτρου (D) να αποσπαστεί από το υποστήριγμα (M) για να προσαρμοστεί η θέση του μάκτρου. Μετά την προσαρμογή, κλειδώστε και πάλι το κλιπ.
 - Χαλαρώστε τη βίδα στη λαβή (I) για να προσαρμόσετε το μπροστινό πτερύγιο του μάκτρου (C), σφίξτε τη βίδα της λαβής μετά την προσαρμογή.
3. Ελέγξτε αν το μπροστινό πτερύγιο του μάκτρου (C) και το πίσω πτερύγιο του μάκτρου (D) είναι ανέπαφα και αν υπάρχουν σπασμένες άκρες και ραγίσματα. Εάν είναι απαραίτητο, αλλάξτε τα με βάση τους παρακάτω τρόπους. Ελέγξτε την μπροστινή άκρη του πίσω πτερυγίου του μάκτρου (J) για να δείτε αν έχει φθαρεί. Εάν έχει φθαρεί, μπορεί να εγκατασταθεί ανάποδα (η πάνω άκρη πρέπει να είναι ανέπαφη). Εάν η πάνω άκρη έχει επίσης φθαρεί, αλλάξτε την ακολουθώντας την παρακάτω διαδικασία:
 - Χαλαρώστε το κλιπ (G) για να επιτρέψετε στο πτερύγιο πίεσης να διαχωριστεί από το υποστήριγμα (M), βγάλτε την μπάρα του κλιπ (K), και μετά αλλάξτε ή γυρίστε το πίσω πτερύγιο του μάκτρου (D) ανάποδα. Εγκαταστήστε ξανά το πίσω πτερύγιο του μάκτρου με την αντίθετη σειρά που το βγάλατε.
 - Χαλαρώστε τη βίδα της λαβής (I) και βγάλτε τη μπάρα του κλιπ (L), και μετά αλλάξτε το μπροστινό μάκτρο (C).
Εγκαταστήστε πάλι το μπροστινό πτερύγιο του μάκτρου με την αντίθετη σειρά από αυτή που το βγάλατε.
Αφού αλλάξετε το πτερύγιο του μάκτρου (ή αφού το αναποδογυρίσετε), προσαρμόστε το επίπεδο του μπροστινού και του πίσω πτερυγίου του μάκτρου με τις διαδικασίες που περιγράφονται παρακάτω.
4. Συνδέστε το σωλήνα απορρόφησης (11) στο μάκτρο.
5. Εγκαταστήστε το μάκτρο και σφίξτε το με το χερούλι (16), και μετά συνδέστε το σωλήνα απορρόφησης με το μάκτρο.
6. Εάν χρειαστεί, προσαρμόστε το μάκτρο μέσω του τροχού ρύθμισης (20) (ανατρέξτε στις διαδικασίες ρύθμισης της ισορροπίας του μάκτρου).



Εικόνα 15

ΚΑΘΑΡΙΣΜΟΣ ΒΟΥΡΤΣΑΣ / ΜΑΞΙΛΑΡΙΟΥ ΓΥΑΛΙΣΜΑΤΟΣ



ΠΡΟΣΟΧΗ!

Όταν καθαρίζετε τη βούρτσα / στήριγμα μαξιλαριού, συνιστάται να φοράτε προστατευτικά γάντια επειδή μπορεί να περιέχουν κοφτερά θραύσματα.

1. Με τον τρόπο που αναφέρεται στις προηγούμενες ενότητες, βγάλτε τη βούρτσα / στήριγμα μαξιλαριού.
2. Με τη χρήση νερού και απορρυπαντικού, καθαρίστε τη βούρτσα / στήριγμα μαξιλαριού.
3. Ελέγξτε την πληρότητα και την κατάσταση φθοράς των τριχών της βούρτσας και, αν χρειάζεται, αλλάξτε τη βούρτσα.
4. Ελέγξτε την κατάσταση φθοράς του στηρίγματος μαξιλαριού και, αν χρειάζεται, αλλάξτε το.

ΚΑΘΑΡΙΣΜΟΣ ΔΕΞΑΜΕΝΗΣ ΝΕΡΟΥ ΚΑΙ ΦΙΛΤΡΟΥ ΕΠΙΠΛΕΥΣΗΣ

1. Μετακινήστε το μηχάνημα σε χώρο που να προορίζεται αποκλειστικά για άδειασμα.
2. Πιέστε το διακόπτη ρεύματος (41) στη θέση «Ο» για να κλείσετε το μηχάνημα.
3. Ανοίξτε το καπάκι της δεξαμενής ανάκτησης (A, Εικόνα 16), και βγάλτε τη συσκευή επίπλευσης (36) από τη δεξαμενή ανάκτησης.
4. Χρησιμοποιήστε καθαρό νερό για να καθαρίσετε το καπάκι της δεξαμενής ανάκτησης (A), τη δεξαμενή (B και C), και το πλαίσιο στήριξης του φίλτρου επίπλευσης (E). Μέσω του σωλήνα ανάκτησης (15), στραγγίξτε όλο το νερό από τη δεξαμενή νερού.
5. Εάν χρειαστεί, ακολουθώντας τα σύμβολα «Άνοιγμα» και «Κλείσιμο» όπως φαίνονται στην Εικόνα 16, ανοίξτε το κάτω καπάκι (F) του φίλτρου επίπλευσης και καθαρίστε το φλοτέρ (D), το πλαίσιο στήριξης του φίλτρου επίπλευσης (E), και το σφουγγάρι του φίλτρου (L). Μετά το καθάρισμα, στερεώστε το φλοτέρ στο πλαίσιο στήριξης του φίλτρου επίπλευσης (E), και μετά ευθυγραμμίστε το σήμα της αυλάκωσης (L) του κάτω καπακιού (F) του φίλτρου επίπλευσης με το σήμα του αυλακιού (L) του πλαισίου στήριξης του φίλτρου επίπλευσης (E). Στρίψτε το κάτω καπάκι (F) του φίλτρου επίπλευσης σφικτά, και στερεώστε το σφουγγάρι του φίλτρου (I) πάνω στο πλαίσιο στήριξης του φίλτρου επίπλευσης (E), και μετά πάνω στο σωλήνα απορρόφησης (M).
6. Ελέγξτε την ορθότητα του δακτυλίου στεγανοποίησης (G) του καπακιού της δεξαμενής νερού.

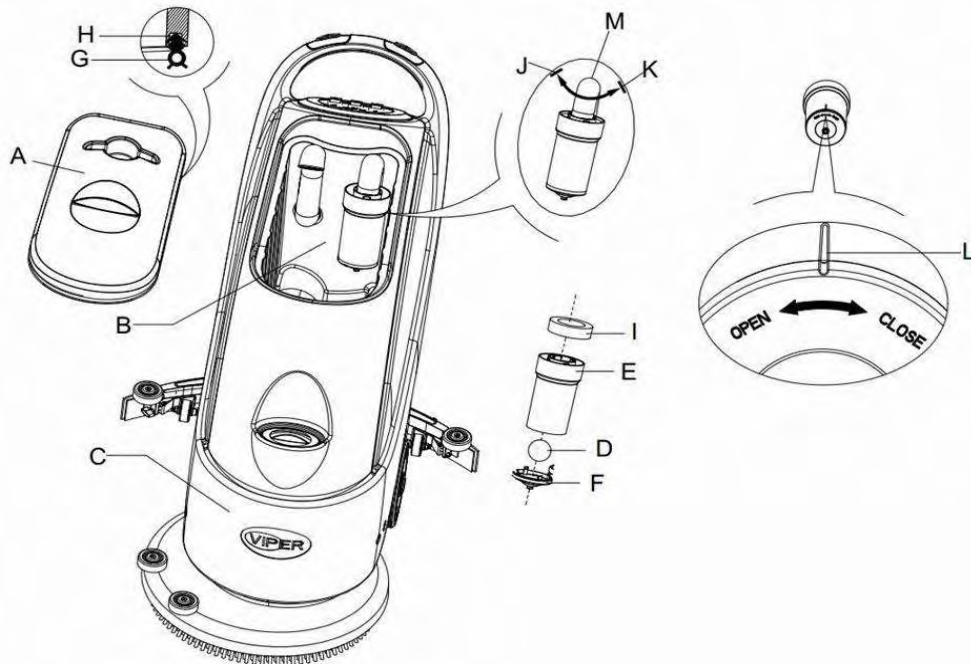


ΣΗΜΕΙΩΣΗ

Η ταινία σφράγισης (G) της δεξαμενής νερού κάνει τη δεξαμενή νερού να δημιουργεί ένα κενό. Πρέπει να είναι εντελώς σφραγισμένο για να μπορεί να τραβάει αποτελεσματικά τα απόβλητα από το πάτωμα.

Εάν χρειαστεί, η ταινία σφράγισης της δεξαμενής νερού (G) μπορεί να βγει από το αυλάκι (H) και να αλλαχθεί. Όταν συναρμολογείτε καινούρια ταινία σφράγισης για τη δεξαμενή νερού, όπως φαίνεται στην Εικόνα 16 πιο κάτω, εγκαταστήστε το βύσμα στη μεσαία περιοχή του πίσω μέρους.

7. Ελέγξτε αν η επιφάνεια υποδοχής της ταινίας σφράγισης (G) είναι ανέπαφη και σφραγίζει επαρκώς.
8. Κλείστε το καπάκι της δεξαμενής ανάκτησης (A).



Εικόνα 16

ΚΑΘΑΡΙΣΜΑ ΤΟΥ ΦΙΛΤΡΟΥ ΔΙΑΛΥΜΑΤΟΣ

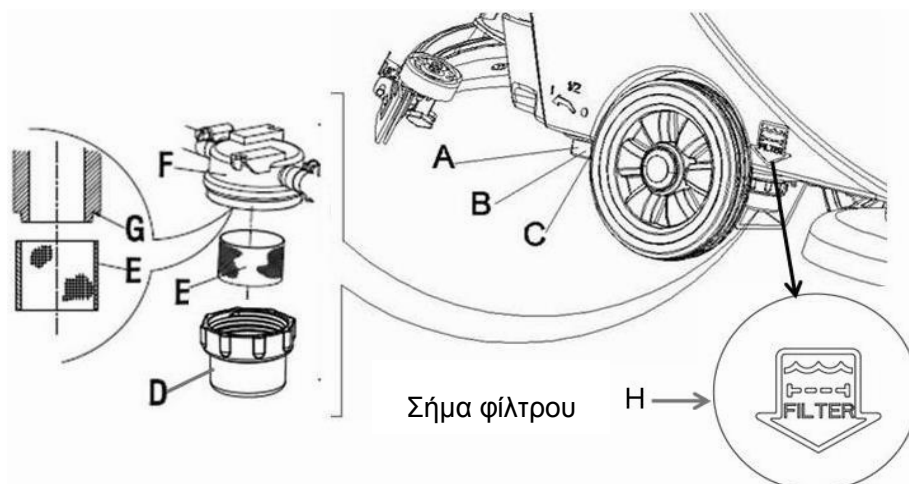
1. Αδειάστε όλο το νερό από τη δεξαμενή διαλύματος με τον τρόπο που αναφέρθηκε στις σχετικές ενότητες.
2. Μετακινήστε το μηχάνημα σε επίπεδο και λείο δάπεδο.
3. Πιέστε το διακόπτη ρεύματος (41) στη θέση «O» για να κλείσετε το μηχάνημα.
4. Κλείστε τη σφαιρική βαλβίδα στράγγισης (A, Εικόνα 17) (που βρίσκεται στο κάτω μέρος του μηχανήματος, πίσω από τους τροχούς). Ανοίξτε τη σφαιρική βαλβίδα B, και κλείστε τη σφαιρική βαλβίδα C.
5. Βγάλτε το διάφανο καπάκι (D) και μετά βγάλτε το φίλτρο (E), και εγκαταστήστε τα στο κουτί του φίλτρου (F) μετά το καθάρισμα.



ΣΗΜΕΙΩΣΗ

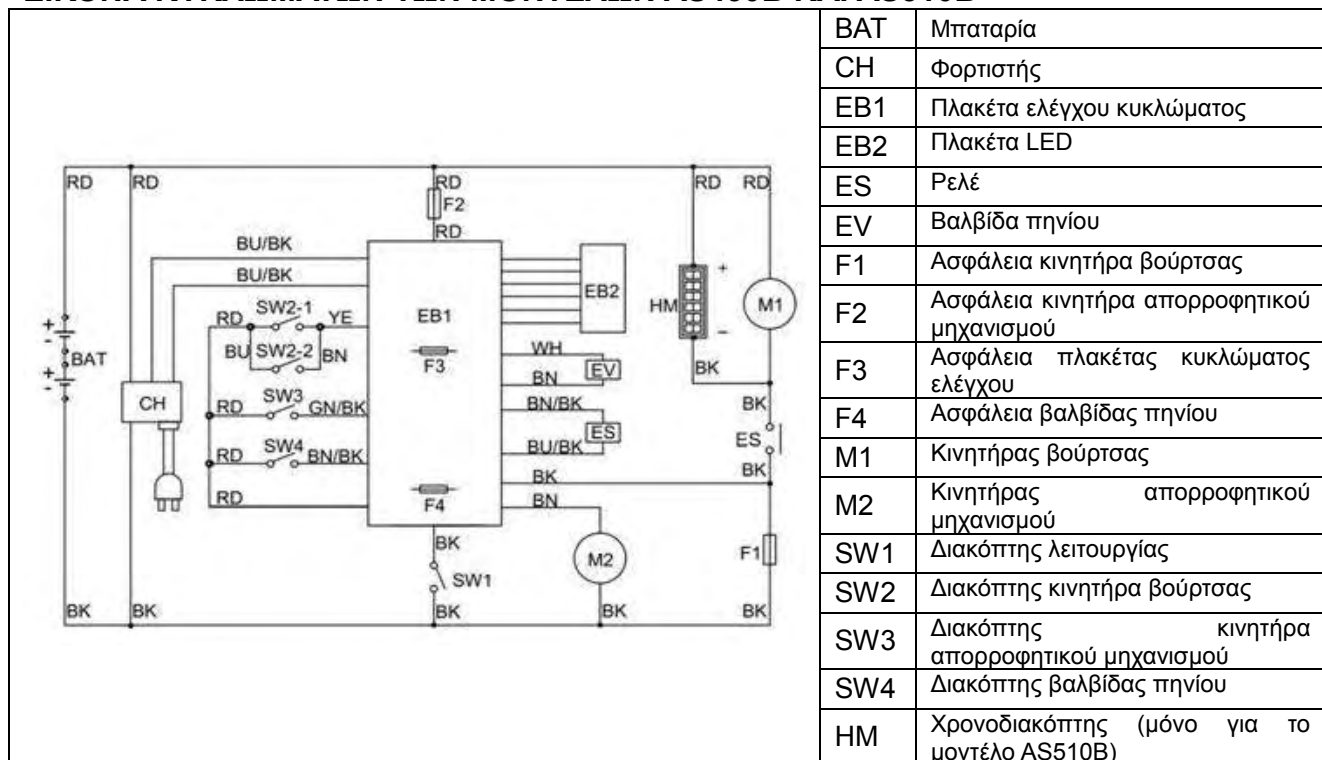
Το φίλτρο (E) πρέπει να εγκατασταθεί με ακρίβεια στη θέση της προεξοχής (G).

6. Ανοίξτε τη σφαιρική βαλβίδα στράγγισης (A).



Εικόνα 17

ΕΙΚΟΝΑ ΚΥΚΛΩΜΑΤΩΝ ΤΩΝ ΜΟΝΤΕΛΩΝ AS430B ΚΑΙ AS510B



ΚΩΔΙΚΟΙ ΧΡΩΜΑΤΩΝ

RD=Κόκκινο	BN=Καφέ	BU/BK=Μπλε / Μαύρο
BU=Μπλε	YE=Κίτρινο	GN/BK=Πράσινο / Μαύρο
BK=Μαύρο	WH=Λευκό	BN/BK=Καφέ / Μαύρο

ΑΝΤΙΜΕΤΩΠΙΣΗ ΠΡΟΒΛΗΜΑΤΩΝ

Βλάβη	Πιθανές αιτίες	Διορθωτικά μέτρα
Το μηχάνημα δεν λειτουργεί: Η ενδεικτική λυχνία δεν είναι αναμμένη	Το βύσμα της μπαταρίας (9) δεν έχει συνδεθεί	Συνδέστε το βύσμα της μπαταρίας
	Η ισχύς της μπαταρίας έχει ήδη εξαντληθεί	Φορτίστε την μπαταρία
Η προειδοποιητική λυχνία (39 και 40) αναβοσβήνει	Υπερφόρτωση κινητήρα βούρτσας	Αλλάξτε και βάλτε μια μαλακή βούρτσα για να προσαρμοστεί στο δάπεδο που καθαρίζετε
	Άλλες ύλες μπλοκάρουν την περιστροφή της βούρτσας	Καθαρίστε τη βούρτσα
Η βούρτσα δεν δουλεύει	Έπεσε η ασφάλεια της βούρτσας	Επαναφορά
	Γλιστρά η ζώνη	Ελέγξτε τη ζώνη, προσαρμόστε την τροχαλία
Ο κινητήρας απορροφητικού δε λειτουργεί	Έπεσε η ασφάλεια του απορροφητικού μηχανισμού	Επαναφορά
Ανεπαρκής απορρόφηση	Η δεξαμενή αποβλήτων είναι γεμάτη.	Αδειάστε τη δεξαμενή νερού
	Ο σωλήνας απορρόφησης για τα απόβλητα και το μάκτρο δεν έχει συνδεθεί σωστά	Συνδέστε το σωλήνα απορρόφησης και το μάκτρο
	Το φίλτρο επίπλευσης έχει μπλοκαριστεί ή έχει μπλοκαριστεί η είσοδος	Καθαρίστε το φίλτρο επίπλευσης, ελέγξτε την μπάλα επίπλευσης (φλοτέρ)
	Το μάκτρο είναι βρόμικο ή το πτερύγιο του μάκτρου έχει φθαρεί και έχει πάθει ζημιά	Καθαρίστε και ελέγξτε το μάκτρο
	Το καπάκι της δεξαμενής ανάκτησης δεν έχει ανοίξει σωστά, ή η ταινία σφράγισης της δεξαμενής νερού έχει πάθει ζημιά	Ξαναβάλτε το καπάκι σωστά, ή αλλάξτε την ταινία σφράγισης της δεξαμενής νερού
Η παροχή καθαρού νερού στη βούρτσα είναι ανεπαρκής	Το φίλτρο είναι βρόμικο	Καθαρίστε το φίλτρο
Το μάκτρο αφήνει σημάδια	Υπάρχουν σκουπίδια σαν θραύσματα κάτω από το πτερύγιο του μάκτρου	Αφαιρέστε τα θραύσματα
	Το πτερύγιο του μάκτρου έχει ήδη φθαρεί, ραγίσει, ή είναι εύθραυστο.	Αλλάξτε το πτερύγιο του μάκτρου
	Η ισορροπία του μάκτρου δεν έχει προσαρμοσθεί	Προσαρμόστε την ισορροπία



ΣΗΜΕΙΩΣΗ

Εάν το μηχάνημα έχει εγκατασταθεί με τον προαιρετικό ενσωματωμένο φορτιστή, και όταν ο ενσωματωμένος φορτιστής είναι προβληματικός, το μηχάνημα δεν μπορεί να λειτουργήσει.

Εάν ο ενσωματωμένος φορτιστής είναι προβληματικός, παρακαλούμε επικοινωνήστε με το εξουσιοδοτημένο κέντρο συντήρησης.

Για περισσότερες πληροφορίες, παρακαλώ ανατρέξτε στο εγχειρίδιο συντήρησης (που μπορείτε να το βρείτε σε όλα τα Κέντρα σέρβις της VIPER)

ΑΠΟΡΡΙΨΗ ΤΟΥ ΜΗΧΑΝΗΜΑΤΟΣ

Χρησιμοποιήστε ειδική μηχανή σύνθλιψης για καταστροφή του μηχανήματος.

Πριν καταστρέψετε αυτό το μηχάνημα, παρακαλώ αφαιρέστε και κρατήστε ξεχωριστά τα ακόλουθα υλικά τα οποία, με βάση τους σχετικούς νόμους και κανονισμούς, πρέπει να επεξεργαστούν σωστά.

- Μπαταρία
- Βούρτσα / στήριγμα μαξιλαριού
- Πλαστικοί σωλήνες και πλαστικά εξαρτήματα
- Ηλεκτρικά και ηλεκτρονικά εξαρτήματα (*)

(*): Παρακαλώ επικοινωνήστε με το πλησιέστερο Κέντρο της VIPER (ειδικά όταν απαιτείται η απόσυρση ηλεκτρικών και ηλεκτρονικών εξαρτημάτων).

İÇİNDEKİLER

GİRİŞ	149
KILAVUZ İÇERİĞİ	149
AMAÇ	149
YEDEK PARÇA VE BAKIM	149
DEĞİŞİKLİK VE GELİŞTİRMELER	149
UYGULAMA ALANI	149
PAKETİN AÇILMASI/TAŞIMA	149
GENEL GÜVENLİK PRENSİPLERİ	150
TEKNİK BİLGİLER	151
MAKİNE TANITIMI	151
MAKİNE YAPISI	151
KONTROL PANELİ	152
ŞARJ GÖSTERGE İŞİĞİNİN GÖSTERGE EKRANI.....	153
KULLANIM KILAVUZU	153
YENİ MAKİNENİN BATARYASININ TAKILMASI VE AYARLANMASI	153
BATARYANIN TAKILMASI VE BATARYA TİPİNİN AYARLANMASI (ISLAK VEYA JEL/AGM).....	154
MAKİNEYİ ÇALIŞTIRMADAN ÖNCE	155
FİRÇA/KEÇE TUTUCUNUN TAKILMASI VE ÇIKARILMASI	155
SILICI LASTİK DENGESİNİN AYARLANMASI	156
SU AKIŞ HACMİNİN REGÜLE EDİLMESİ	148
MAKİNENİN ÇALIŞTIRILMASI VE DURDURULMASI.....	157
MAKİNE KULLANIMI (TEMİZLEME VE KURULAMA).....	157
TANK BOŞALTMA.....	158
MAKİNEYİ KULLANDIKTAN SONRA.....	159
KULLANILMAMA ZAMANI	159
İLK KULLANIM.....	159
BAKIM VE MUHAFAZA	159
PLANLI BAKIM TABLOSU	159
BATARYA ŞARJI	160
SILICI LASTİK TEMİZLEME	160
SILICI LASTİK BIÇAĞI KONTROLÜ VE DEĞİŞTİRME.....	161
FİRÇA/PARLATMA KEÇESİNİ TEMİZLEME	162
SU TANKI VE YÜZER FİLTRE AĞINI TEMİZLEME	162
SOLÜSYON FİLTRESİ TEMİZLEME.....	163
AS430B VE AS510B DEVRE ŞEMASI.....	164
SORUN GİDERME	165
MAKİNENİN ELDEN ÇIKARILMASI	165

GİRİŞ



NOT

Parantez içerisindeki numaralar Makine Tanıtımı bölümünde gösterilen ilgili bileşenlere işaret etmektedir.

KILAVUZ İÇERİĞİ

Bu kılavuz makine kullanıcılarına bu makineyi düzgün ve emniyetli bir şekilde kullanması için gerekli olan bilgileri sunmaktadır. Bu bilgiler teknik verileri, makinenin güvenliği, kullanımı, depolanması ve elden çıkarılmasını içermektedir. İlgili yeterliliklere sahip olan teknisyen ve kullanıcılar makineyi kullanmaya ve bakımını yapmaya başlamadan önce bu kılavuzu dikkatle incelemelidirler. Lütfen bu kılavuzda açıklananlarla ilgili daha fazla açıklama veya ilgili daha fazla bilgi gerektiğinde VIPER ile iletişime geçin.

AMAÇ

Bu kılavuzun amacı kullanıcı ve teknisyenlerin makinenin bakımını yapabilmelerini sağlamaktır. Kullanıcılar sadece teknisyenler tarafından gerçekleştirilmesi gereken işlemleri yapmamalıdır. VIPER bu kuralın ihlalinden kaynaklanan hasarlardan sorumlu değildir.

YEDEK PARÇA VE BAKIM

Gerekli olan tüm işletme, bakım ve onarım prosedürleri kalifiye personel veya VIPER Servis Merkezleri tarafından yerine getirilmelidir. Sadece Yetkilendirilmiş olan yedek parçalar ve aksesuarlar kullanılmalıdır. Eğer servis ve yedek parça veya aksesuar siparişi gerekiyorsa lütfen makinenin model ve seri numarası ile birlikte VIPER ile temasa geçin.

DEĞİŞİKLİK VE GELİŞTİRMELER

VIPER ürünleri üzerinde sürekli geliştirmeler yapmaktadır. VIPER makinelerinin üzerinde değişiklik ve geliştirme yapma hakkını saklı tutmaktadır ve ayrıca bu değişikliklerden daha önce üretmiş olduğu ürünlerin faydalanıp faydalanmamasına kendisi karar verme hakkını elinde bulundurmaktadır. Tüm değişiklik ve ilave aksesuarlar VIPER tarafından kabul edilmeli ve gerçekleştirilmelidir.

UYGULAMA ALANI

Bu temizleyiciler iç veya endüstriyel ortamlarda kullanılır ve sert ve yumuşak zeminlerin temizlenmesine uygundur (temizleme ve atık su toplama). Yeterli kullanıcılar ve güvenli ortamlarda kullanılmalıdır. Temizleyici dış mekanları, mobilyaları ve göreceli olarak kaba zeminlerde kullanılmamalıdır.

PAKETİN AÇILMASI/TAŞIMA

Lütfen paketi açarken paket üzerinde yer alan talimatları dikkatli bir şekilde yerine getirin. Teslimat anında lütfen paketi ve makineyi dikkatli bir şekilde kontrol edin ve taşıma esnasında herhangi bir hasar görmediğinden emin olun. Eğer herhangi bir görünür hasar var ise lütfen bu şekilde koruyun ve taşıyıcının meydana gelen hasarı onaylamasını ve listelemesini isteyin.

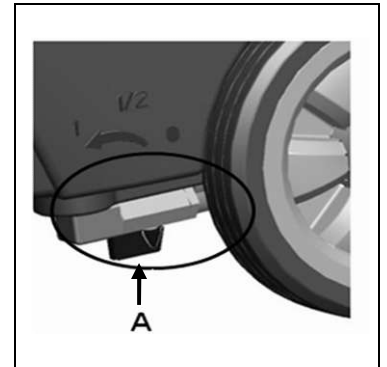


– DİKKAT

Paketin açılması ve indirilmesi esnasında veya makine zeminde yürüyerek hareket ettirilirken lütfen su akışını kontrol eden açma/kapama düğmesine dikkat edin - sağdaki şekilde KISIM A.

Makinede aşağıdaki parçaların bulunduğunu kontrol edin:

1. Teknik belgeler
 - Yıkama Makinesi Kullanım Kılavuzu
 - Yerleşik Şarj Kılavuzu (var ise)
2. Şarj bağlantısı (eğer yerleşik şarj birimi bulunmuyorsa, harici şarj cihazındadır)



GENEL GÜVENLİK PRENSİPLERİ

Aşağıda potansiyel hasara ilişkin özel uyarı ve ikazlar yer almaktadır (personel ve makineye):

**UYARI!**

- Makine sadece bu kılavuzda yer alan yönergelere göre kullanılabilir. Sadece VIPER tarafından onaylanan aksesuarlar kullanılmalıdır.
- Bu makine sadece uygun bir şekilde eğitim almış ve yetkili personel tarafından kullanılmalıdır. Çocuklar veya uygun olmayan personel bu makineyi kullanmamalıdır.
- Normal kullanımda batarya yanıcı gaz meydana getirebilir. Batarya, radyatör, ışıklandırma ve kıvılcım gibi yanıcı nesnelere uzak tutulmalıdır. Makine kullanılırken lütfen ortamın iyi havalandırılmış olduğundan ve çıplak ateşten uzak olduğundan emin olun. Şarj olurken lütfen makinenin bulunduğu alanda sigara içmeyin.
- Lütfen herhangi bir bakım/onarım faaliyetine başlamadan önce bataryayı çıkarın.
- Lütfen yerleşik şarj cihazını kullanmadan önce prizdeki voltaj değerleri ve frekansın seri numarası etiketi üzerinde yazılanlar ile uyumlu olduğundan emin olun.
- Elektrikli aletlerin yakınında çalışırken takı takmayın. Lütfen saç, takı ve gevşek kıyafetlerin makinenin hareketli parçalarına yakalanmasını engellemek için gerekli tedbirleri alın.
- Lütfen bu makineyi özellikle kirli alanlarda kullanmayın. Lütfen makineyi su ile doğrudan yıkamayın. Makinenin koroziv sıvılar ile temas etmesinden kaçınınız.
- Makine için depolama sıcaklığı ve çalışma ortamı sıcaklığı 0 - 40°C arasında olmalıdır.
- Hava nem oranı %30 - %105 olmalıdır.
- Lütfen makineyi %2'den daha fazla bir eğimli bir alanda kullanmayın.
- Yangın durumunda lütfen kuru toz ihtiva eden yangın söndürücü kullanın. Sıvı yangın söndürücü kullanmayın.
- Makine 0°C altında taşındığı zaman özel dikkat gösterilmelidir. Su tankındaki ve hortumlardaki su donabilir ve makineye ciddi zarar verebilir.
- Makine ile birlikte verilen ve özellikle Kullanım Kılavuzunda belirtilen fırça ve keçe kullanın. Diğer fırça ve keçelerin kullanılması güvenliği azaltabilir.
- Lütfen makinenin bakım eksikliğinden arızalanmasına müsaade etmeyin. Eğer başka şartlardan kaynaklandıysa lütfen yetkili personel veya servis merkezinden yardım isteyin.
- Eğer yedek parçaların değiştirilmesi gerektiği doğrulandıysa lütfen yedek parçaları yetkili satıcılar veya acentelerden alın.
- Makinenin uygun ve güvenli kullanımını sağlamak için lütfen planlı bakım faaliyetinin yetkili bir personel veya servis tarafından, kılavuzun ilgili bölümlerinde gösterilen bakım talimatlarına göre yapılmasını sağlayın.
- Bu makine uygun şekilde elden çıkarılmalıdır çünkü zehirli ve zararlı materyal olabilir (bataryalar vb.) ve bunlar ilgili yasa ve düzenlemelere göre özel merkezlerde yok edilmelidir (lütfen makineyi elden çıkarma bölümüne bakın).

TEKNİK BİLGİLER

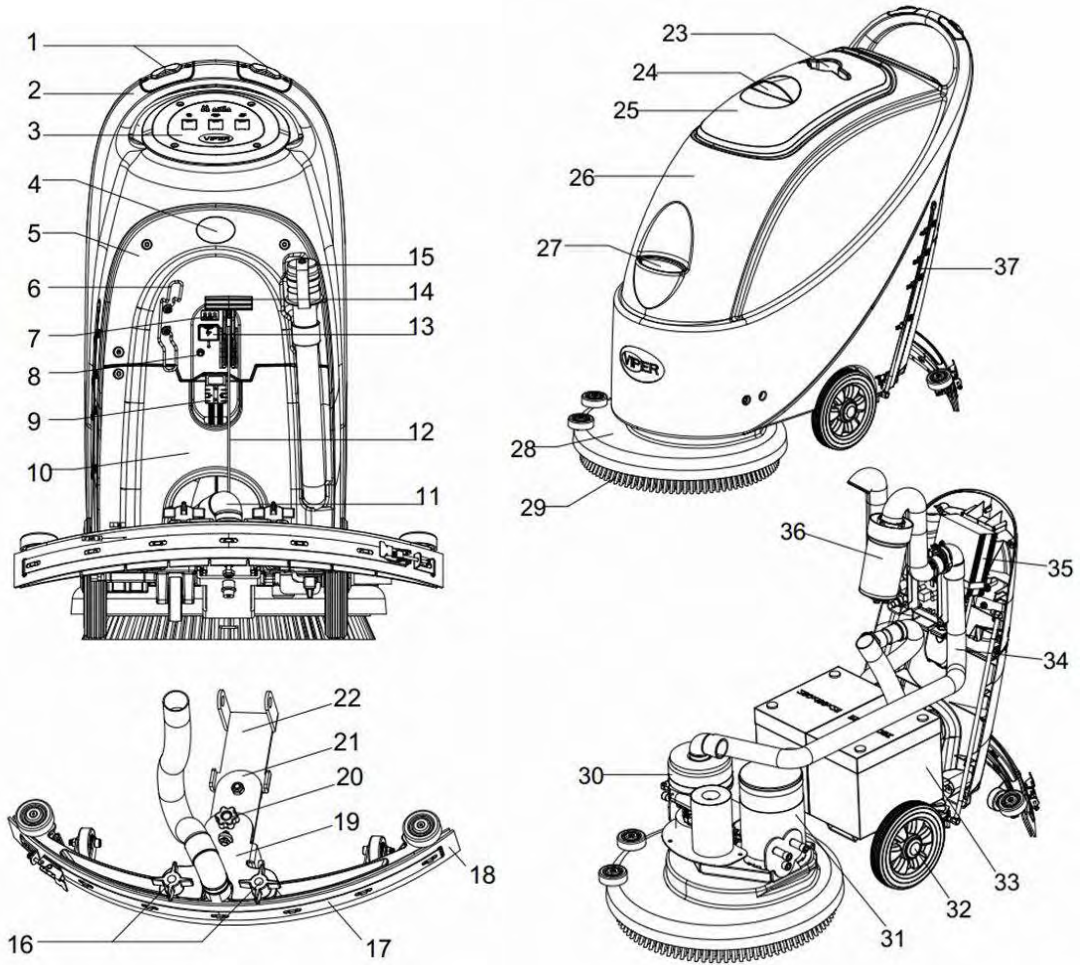
Model	AS430B	AS510B
Makine Yüksekliği	980mm	
Solüsyon tank kapasitesi	40 litre	
Geri kazanım tank kapasitesi	40 litre	
Taşıma tekerlek çapı	200mm	
Kılavuz tekerlek çapı	76mm	
Vakum sistem motor gücü	350w	
Çalışma esnasında maksimum eğim	2%(Maks.)	
İş istasyonundaki ses basınç seviyesi	70dB(A) ±3dB(A)	
Standart batarya	(2×12V) 24V 85Ah AGM	(2×12V) 24V 105Ah AGM
Batarya bölümü büyüklüğü (G x U x Y)	340 x 330 x 260mm(Maks.)	
Vakum sistemi akım kapasitesi	1200 mm H ₂ O	
Temizleme genişliği	430mm	510mm
Silici lastik genişliği	730mm	790mm
Makine azami uzunluğu	1060mm	1100mm
Silici lastik hariç makine genişliği	480mm	540mm
Fırça çapı	430mm	510mm
Bataryasız ve boş tank ile ağırlık	112kg	128kg
Kullanıma hazır makinenin brüt ağırlığı	152kg	168kg
Fırça motor gücü	550W	560W
Fırça hızı	150rpm	
Fırça/keçe tutucu Maksimum basıncı	30kg (Maks.)	35kg(Maks)
Paketleme ebatları (Ux G x Y)	1200 x 610 x 1170mm	

MAKİNE TANITIMI**MAKİNE YAPISI**

1. Güvenlik anahtarı
2. Kontrol kolu
3. Kontrol paneli
4. Seri numarası plakası/Teknik veri / Uygunluk sertifikası
5. Kontrol kapağı
6. Kablo tutucu (*)
7. Batarya şarj göstere ışığı
8. Sıfırlama anahtarı
9. Batarya bağlantısı
10. Batarya kapağı
11. Atık için vakum tüpü
12. Silici lastik çekme kablosu
13. Batarya bağlantısı güvenlik kapağı
14. Silici lastik kaldırma kolu
15. Atık su borusu
16. Silici lastik sabitleme topuzu
17. Silici lastik kelepçesi
18. Silici lastik bıçağı
19. Silici lastik destek çerçevesi
20. Silici lastik ayar çarkı
21. Silici lastik arka destek çerçevesi
22. Silici lastik ön destek çerçevesi
23. Bardak tutucu
24. Geri kazanım tank kapak tutacağı
25. Geri kazanım tank kapağı
26. Tank gövdesi
27. Su giriş kapağı
28. Fırça yeri
29. Fırça / keçe tutucu
30. Vakum sistemi motoru
31. Fırça motoru
32. 8" tekerlek
33. Batarya
34. Vakum tüpü
35. Şarj cihazı (*)
36. Şamandıra filtre
37. Su seviyesi tüpü (Solüsyon tankındaki su miktarını göstermek için)

sadece yerleşik şarj ünitesine sahip olan makineler için (opsiyonel)

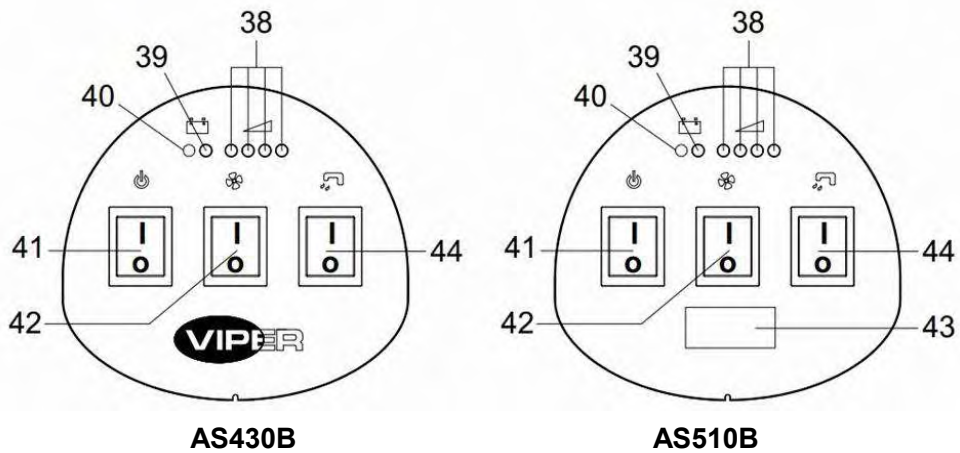
MAKİNE YAPISINI GÖSTEREN ŞEKİLLER



Şekil 1

KONTROL PANELİ (Şekil 2)

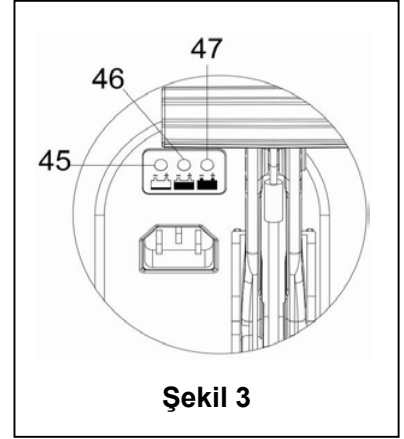
- 38. Batarya şarj gösterge ışığı (dolduğunda yeşil)
- 39. Batarya boş gösterge ışığı (kırmızı)
- 40. Batarya boş gösterge ışığı (kırmızı)
- 41. Güç anahtarı
- 42. Vakum anahtarı
- 43. Zamanlayıcı (opsiyonel, fırçanın çalışma zamanını ölçmek için kullanılır)
- 44. Su püskürtme kontrolü için kullanılan selenoid valf anahtarı



Şekil 2

ŞARJ GÖSTERGE IŞIĞININ GÖSTERGE EKRANI (Şekil 3)**(Opsiyonel, yerleşik batarya şarj cihazı olan modellerde)**

1. Şarj başlayınca şarj cihazının kırmızı gösterge ışığı (45) birkaç kez yanıp söner ve daha sonra şarj aşamasına geçtiğini gösterecek şekilde tamamen kırmızı olacak şekilde düzgün hale gelir;
2. Bir süre şarj ettikten sonra şarj cihazının kırmızı gösterge ışığı (45) sönecek, sarı bir gösterge ışığı (46) sürekli olarak yanacaktır: ikinci şarj aşamasına geçmiştir;
3. Yaklaşık olarak 10 saat şarj olduktan sonra kehribar rengindeki gösterge ışığı (46) sönecektir (47) Yeşil gösterge ışığı şarjın dolu olduğunu ve şarj işleminin bittiğini gösterir şekilde sürekli olarak yanacaktır.

**Şekil 3****NOT**

- 1) Şarj esnasında, Eğer sarı gösterge ışığı yanıp sönerse: batarya şarj cihazı ile uyumlu olan bir batarya değildir veya batarya düzgün bağlanmamıştır veya çıkış terminalinde kısa devre meydana gelmiştir.
- 2) Eğer kırmızı gösterge ışığı yanıp sönüyorsa: şarj cihazı içerisinde bir kısa devre meydana gelmiştir. (Detaylar için, şarj cihazı talimatındaki ilgili bölümlere bakın.)

KULLANIM KILAVUZU**UYARI**

Makinenin bazı bölümlerinde bazı uyarıcı işaretler basılıdır:

- TEHLİKE
- UYARI
- DİKKAT
- DANIŞMA

Bu Kılavuzu okurken operatör işaretlerde gösterilen sembollere özel dikkat göstermelidir. Hiçbir durumda bu işaretlerin üzeri kapatılmamalıdır. Eğer bunlar zarar görürse lütfen hemen yenileri ile değiştirin.

YENİ MAKİNEİNİN BATARYASININ TAKILMASI VE AYARLANMASI**UYARI**

Eğer batarya düzgün takılmamışsa veya düzgün bağlanmamışsa makinenin elektrikli parçaları ciddi hasar görebilir. Batarya sadece kalifiye bir personel tarafından takılmalıdır. Kullanılan bataryanın model numarasına (ISLAK veya JEL) göre fonksiyonel devre kartını ve yerleşik şarj cihazını (opsiyonel) ayarlayın.

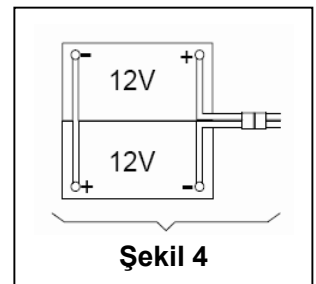
Lütfen takmadan önce bataryanın hasarlı olup olmadığını kontrol edin.
Batarya bağlantısını ve yerleşik şarj cihazı fişini çıkarın.
Bataryaya dokunurken dikkatli olun.

Makine iki (2) 12V batarya kullanmaktadır.
Lütfen sağdaki Şekil 4'te gösterildiği şekilde bağlayın.
Bu makine aşağıdaki modelleri desteklemektedir:

a) Hali hazırda kurulan ve her zaman kullanılacak bataryalar (ISLAK veya JEL/AGM).

1. Bataryayı kontrol edin. Bağlantı noktası (9) ile bataryayı makineye bağlayın.
2. (Sadece AS430B ve AS510B'ye uygundur): Açma/kapama anahtarına (41) basın. Eğer yeşil ışık yanıyor ise bu bataryanın kullanıma hazır olduğunu gösterir.

Eğer kehribar veya kırmızı ışık yanıyor ise bu bataryanın şarja ihtiyacı olduğunu göstermektedir. (Lütfen ilgili prosedürler için bakım bölümüne bakın).

**Şekil 4**

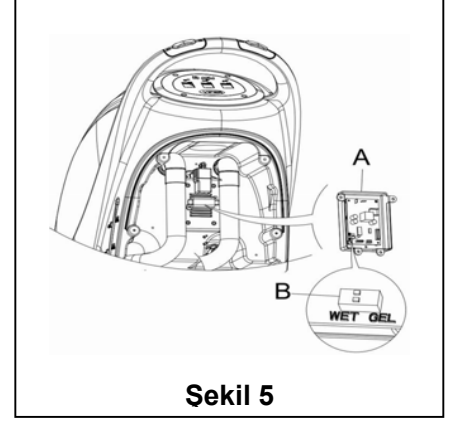
b) Bataryasız

1. Benzer batarya satın alın (teknik parametrelerin yer aldığı bölüme başvurun). Batarya seçimi konusundaki bilgiler kalifiye batarya acentelerinden elde edilebilir.
2. Makine ve yerleşik şarj cihazını (eğer var ise) batarya tipine göre (ISLAK veya JEL/AGM) ayarlayın. Ayrıca bataryayı takmak için aşağıdaki paragrafı okuyun.

BATARYANIN TAKILMASI VE BATARYA TİPİNİN AYARLANMASI (ISLAK VEYA JEL/AGM)

Batarya tipine göre (ISLAK veya JEL/AGM) yerleşik şarj cihazı üzerinde yer alan devre kartını ayarlayın. İşlem sırası şu şekildedir:

1. Bataryanın bağlantısının kesildiğinden emin olun. Eğer batarya üretim itibarıyla "AGM" ise doğrudan Adım 8'e gidin; değilse, Adım 2, 3, ve 4'ü tamamlayın.
2. Boşaltma hortumunu (15) çıkarın
3. Eğer yerleşik şarj cihazı bulunuyorsa lütfen şarj kablosunu makaradan çıkarın.
4. Kontrol kapağını (5) ve batarya kapağı üzerindeki vidaları (10) çıkarın. PCB standı üzerindeki vidaları çıkarın. Batarya modelini ayarlamak için kullanılan DIP anahtarı (B) PCB panosu üzerindeki mandal döndürülünce görülebilir. (Bakınız **Şekil 5**)
5. Mikro DIP anahtarını (B) "ISLAK" pozisyonuna getirin.
6. Adım 3, 4 ve 5'i tersi sırada yerine getirin.

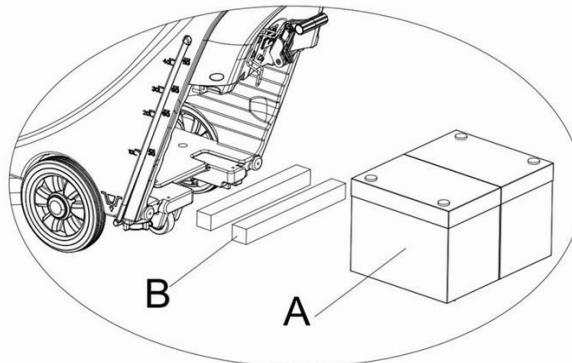
**Şekil 5****Bataryaların takılması**

7. Batarya bağlantısını (9) kesin.
8. Geri kazanım tank kapağını (25) açın ve geri kazanım tankının boş olup olmadığını kontrol edin; eğer boş değilse, atık hortumu ile boşaltın (15).
9. Silici lastik sabitleme başını (16) sökün, sileceğe bağlı olan vakum tüpü atık bağlantısını çıkarın (11) ve daha sonra sileceği çıkarın.
10. Batarya kapağının (10) vidalarını sökün ve kapağı çıkarın.
11. Silici lastik konsoluna (19) bağlı olan Silici lastik toplama kablosunun (12) bağlantısını sökün ve Silici lastik toplama kablosunu yukarı doğru asın.
12. Atık boşaltma hortumunu (15) ve atık vakum tüpünü (11) yukarı doğru asın.
13. Batarya büyüklüğüne göre batarya kutusu içerisindeki sabitleme panosunu içeri doğru itin.

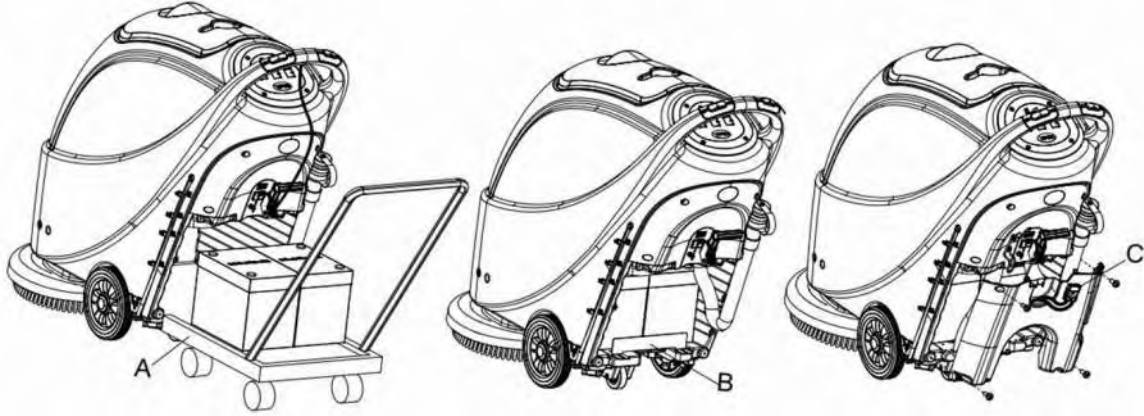
**NOT**

Batarya büyüklüğü şu boyutları aşmamalıdır: Y x G x Y: 330mm x 170mm x 260mm. Bataryaların değişen boyutlarına göre sabit bataryaların gereksinimleri şu şekildedir:

- 1) 270mm uzunluğundan daha kısa bataryalar için, sabitleme panosunun 2 parçasını kullanın (**B, Şekil 6**) ve bunları su tank bataryası içerisine yan yana yerleştirin;
- 2) 310mm - 270mm uzunluğunda bataryalar için sabitleme panelinin 1 parçasını kullanın (**B, Şekil 6**) ve su tank bataryası içerisine yerleştirin;
- 3) 330mm - 310mm uzunluğunda bataryalar için, pozisyonunu sabitlemek için sabitleme paneline ihtiyaç yoktur.

**Şekil 6**

14. Bataryaları özel olarak üretilmiş batarya takma araçları ile sabitleyin (**A, Şekil 7**). Batarya takıldıktan sonra batarya takma araçlarını çıkarın ve batarya sabitleme desteğinin takın (**B, Şekil 7**).



Şekil 7

15. Batarya konektörünü (**C, Şekil 7**) batarya kutusu kapağı üzerindeki delikten geçirin, boşaltma hortumunu batarya kutusu kapağı üzerindeki doğru delikten geçirin, batarya kutusu kapağını 4 vida ile sabitleyin ve daha sonra Silici lastik toplama kablosunu, boşaltma hortumunu ve sileceği düzgünce takın.

Bataryaların şarj edilmesi

16. Bataryayı şarj etmek için (bakım bölümünde belirtilen adımlara bakın).

MAKİNEYİ ÇALIŞTIRMADAN ÖNCE

FIRÇA/KEÇE TUTUCUNUN TAKILMASI VE ÇIKARILMASI



NOT

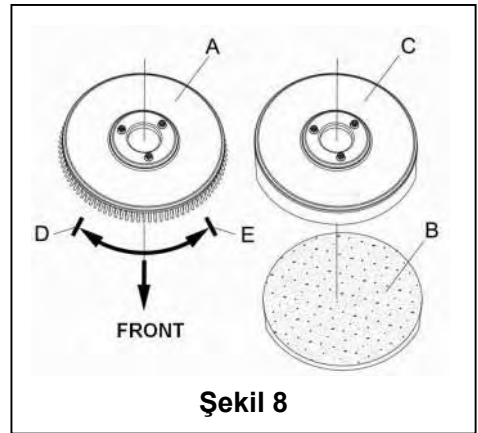
Temizlenecek yüzey türüne göre makineye fırça (Şekil 8, A) veya keçe tutucu (Şekil 8, B ve C) takılmalıdır.



DİKKAT !

Fırça/keçe tutucuyu el ile takarken veya çıkarırken öncelikle tüm anahtarların kapalı konumda olduğundan emin olun ve sileceği zeminden yukarı kaldırın sadece bu şekilde fırça veya keçe tutucu üzerinde çalışma yapabilirsiniz. Ayrıca parçaların elinizi kesmemesi için lütfen koruyucu eldiven giyin.

- (Sadece AS430B ve AS510Biçin): anahtarın (41) bağlantı yok (O) durumunda olduğundan emin olun.
- Tank gövdesini (26) kaldırmak için Kontrol kolu (26) aşağı bastırın.
- Fırçayı (A) veya keçe tutucuyu (B – C) muhafazanın altına koyun.
- Tank gövdesinin (26) fırça veya keçe tutucu ile temas etmek üzere alçaltması için Kontrol kolu (26) kullanın.
- Fırça/keçe tutucuyu otomatik olarak takmak için, güç anahtarını (41) "I" pozisyonuna getirin ve güvenlik anahtarını (1) aşağı bastırın. Tankın altındaki kemer tekerleğinin fırça veya keçe tutucunun takılabilecek şekilde hizaya gelmesi için makineyi nazikçe ileriye doğru itin. Daha sonra güvenlik anahtarını serbest bırakın. Eğer gerekli ise bu işlem sırasını fırça/keçe tutucu takılana kadar tekrarlayın.
- Eğer yukarıdaki Adım 5 zor ise, fırça/keçe tutucuyu takmak için ok şeklindeki başlığı (D) takip edin (Şekil 8).
- Fırça/keçe tutucuyu otomatik olarak çıkarmak için güç anahtarını (41) "O" pozisyonuna getirin. Kontrol kolu tutmak için tutamağı kullanın ve kılavuz tekerler zemine temas edene ve fırça/keçe tutucu havaya kalkana kadar makineyi aşağı doğru bastırın. Güç anahtarını (41) "I" pozisyonuna



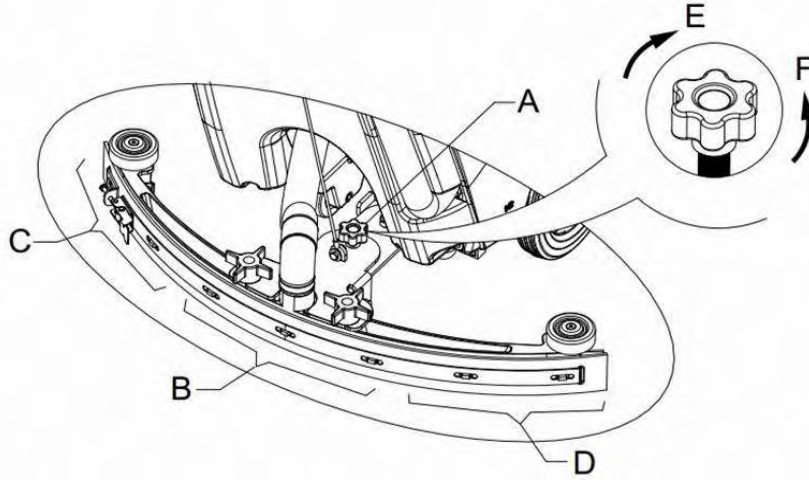
Şekil 8

getirin ve fırça veya keçe tutucunun zemine düşmesini sağlayana dek dönmesi için güvenlik anahtarına basın.

8. Eğer yukarıda bahsi geçen Adım 7'nin uygulanması zor ise fırça/keçe tutucuyu normal dönme yönünün tersine döndürme şeklinde olan manüel yöntemi kullanın, böylece çıkarılabilecektir. (Şekil 8'de gösterildiği gibi)

SILICI LASTİK DENGESİNİN AYARLANMASI

9. Silici lastik lastiğini takın ve tutacak ile sıkı bir şekilde döndürün. Daha sonra atık için olan vakum tüpünü sileceğe bağlayın.
10. Silici lastik lastiği ayarlama tutacağı (A) ile sileceği ayarlayın (bakınız Şekil 9).
- 1) Eğer arka silici lastik şeridinin orta bölümü, bölüm B'nin, zemin ile arasında boşluk var ise veya aşağı doğru olan basınç göreceli olarak hafif ise tutacağı arka Silici lastik şeridinin tüm uzunluğu yere tam temas edene dek saat yönünün tersine döndürerek ayarlayın. Ön silici lastik şeridi zemine hafifçe dokunmalıdır.
 - 2) Eğer arka silici lastik şeridinin her iki ucu, bölüm C ve D'nin, zemin ile arasında boşluk var ise veya aşağı doğru olan basınç göreceli olarak hafif ise tutacağı arka Silici lastik şeridinin tüm uzunluğu yere tam temas edene dek saat yönünde döndürerek ayarlayın. Ön silici lastik şeridi zemine hafifçe dokunmalıdır.



Şekil 9

Solüsyon tankı doldurma



DİKKAT!

Sadece düşük köpüklü, yanmayan deterjanlar kullanılabilir. Bu deterjanlar temizleme makinelerinde kullanıma uygun olmalıdır.

11. Su giriş kapağını (27) açın ve solüsyon tankına su ekleyin. Tankı aşırı doldurmayın. Su girişinin filtre tutacağına yakın bir şekilde doldurmak yeterli olacaktır. Temizleme solüsyonlarını hazırlarken, lütfen kimyasal üretici tarafından sağlanan seyreltme oranlarına ve su sıcaklığının 40⁰ C'yi aşmamasına dikkat edin.

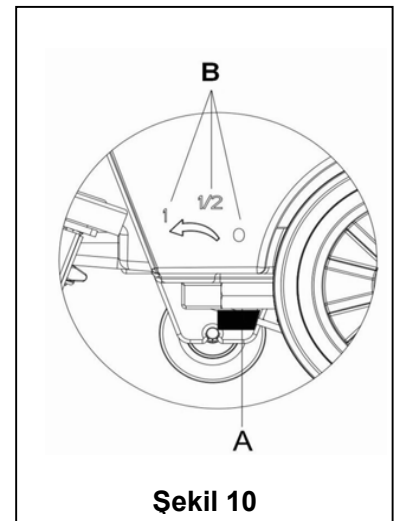
SU AKIŞ HACMİNİN REGÜLE EDİLMESİ



UYARI!

Top şeklinde olan valf tutacağını (A, Şekil 10) regüle ederken güç anahtarı (41) "O" pozisyonunda olmalıdır.

12. Su akış hacmi top şeklinde olan valf tutacağı ile (A, Şekil 10) pratik olarak zemini temizlemeye yetecek kadar su miktarı olacak şekilde ayarlanabilir.



Şekil 10

MAKİNEİN ÇALIŞTIRILMASI VE DURDURULMASI

Makinenin çalıştırılması

1. Yukarıda belirtilen hazırlık adımlarını gerçekleştirin.
2. Güç anahtarını (41) "I" pozisyonuna getirin.
3. Süpürge alçaltmak için Silici lastik tutamağını (41) kullanın.
4. Vakum pompa anahtarını (42) "I" pozisyonuna getirin.
5. Su akışı hacim kontrol anahtarını (44) "I" pozisyonuna getirin. (Selenoid valfin çalışmasını kontrol etmek için kontrol anahtarı (1) ile eşzamanlı olarak çalışın.)
6. Güvenlik anahtarını (1) tutun ve makineyi ilerletmek için itin. Fırça (29) dönmeye başlar ve makine temizleme işine başlar.



BİLGİ: Makineyi itme şekli

Makinenin özelliklerinden biri Kontrol kolun her iki tarafına güvenlik anahtarı takılmasıdır. Her bir güvenlik anahtarı fırçanın çalıştırılmasını bağımsız olarak kontrol edebilmektedir. Kullanımda makinenin çalışmasını kontrol etmeyi kolaylaştırır.

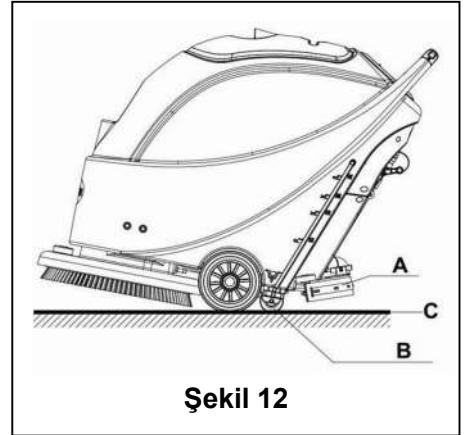
Deneyimler sağdaki Şekil 11'de gösterilen makineyi hareket ettirme şeklinin daha uygun olduğunu göstermektedir, kullanıcılar ellerini daha rahat hissetmektedirler, iş yorgunluğunu azaltmaktadır. Dolayısıyla kullanıcıların makineyi bu şekilde hareket ettirmesi önerilmektedir.



Şekil 11

Makinenin kapatılması

7. Makineyi kullanmayı bitirdiğinizde öncelikle fırça/keçe tutucusunu sökün (fırça/keçe tutucusunun takılması ve sökülmesi hakkındaki bölüme bakın)
8. Fırça/keçe tutucusunu (1) ve selenoid valfi kapatmak için güvenlik anahtarını bırakın.
9. Vakum pompası anahtarını (42) "O" pozisyonuna getirin ve vakum pompası durmadan önce 5 saniye daha bekleyecektir.
10. Selenoid valfin çalışmasını tamamen kapatmak için su akışı hacim kontrol anahtarını (44) "O" pozisyonuna getirin.
11. Güç anahtarını (41) "O" pozisyonuna getirin.
12. Süpürge lastiğini yükseltmek için Silici lastik kaldırma tutamağını (14) kullanın.
13. Tutacağı (2) kavrayın ve kılavuz tekerlek (B) zemine temas edene kadar makineyi nazikçe geriye doğru eğin. Bakınız Şekil 12.



Şekil 12

MAKİNE KULLANIMI (TEMİZLEMEVE KURULAMA)

1. Makineyi yukarıda tarif edildiği şekilde çalıştırın.
2. Güvenlik anahtarını (1) tutun (Şekil 11'da gösterildiği şekilde), makineyi hareket ettirmek için itin ve temizleme işine başlayın.
3. Eğer gerekirse makineyi kapatın ve Silici lastik düzenleme kolunu ayarlayın. (Silici lastik dengesini ayarlamak için belirtilen iş adımlarına bakın)
4. Eğer gerekirse makineyi kapatın ve top başlıklı kol ile su hacmini ayarlayın. (Su akış hacmini ayarlama adımlarına bakın.)



DİKKAT!

Zemine zarar vermektan kaçınmak için makine bir yerde hareket etmeksizin durduğunda lütfen güç anahtarını (41) kapatın.

Çalışma esnasında bataryanın boşalması

5. Makine sadece yeşil ikaz lambası (38) sürekli yanarken normal çalışma için yeterli güce sahiptir.

**NOT**

Dört adet yeşil ışığın (38) tamamı yanıyor bu, bataryanın tamamen şarj olduğunu gösterir.

Sadece son yeşil ışık (38) yanıyor ve yanıp sönmeye başlamışsa makine birkaç dakika içerisinde çalışmayı durduracağından, bataryanın şarj edilmesi önerilmektedir. En son yeşil ışık (38) söndükten sonra ve kırmızı ışık (39 ve 40) yanıp sönmeye başladığında makine birkaç saniye içerisinde duracaktır.(Bakım bölümünde belirtilen iş adımlarına bakın).

**DİKKAT!**

Bataryanın zarar görmemesi ve ömrünün kısalması için bataryanın güç kaynağı yeterli değilken makineyi kullanmayın.

TANK BOŞALTMA

Geri kazanım tankı dolu iken otomatik yüzer kapatma cihazı (36) vakum pompasına bağlı olan girişi kapatacaktır. Vakum pompasından gelen ani bir gürültü vakum pompasının aşırı yüklendiğini gösterir ve atık sunun hemen boşaltılması gerekir.

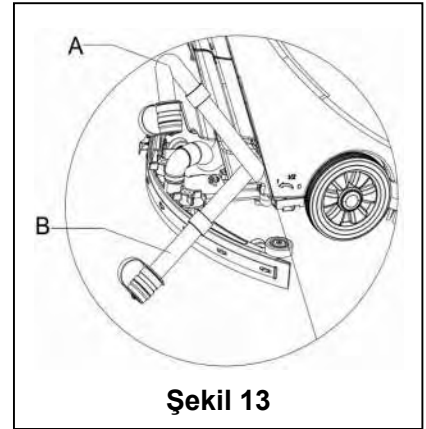
**DİKKAT!**

Eğer vakum pompası aniden durursa (mesela makinenin ani bir hareketi yüzer kapatma cihazını çalıştırdığından) ve tekrar çalıştırılması gerekiyorsa lütfen şu adımları gerçekleştirin: gücü ve vakum pompasını kapatmak için güç anahtarına (41 ve 42) basın ve yüzer filtresi içerisindeki yüzerin tekrar su seviyesine dönüp dönmediğini kontrol etmek için geri kazanım tankının kapağını (25) açın. Daha sonra geri kazanım tankının kapağını (25) kapatın ve güç ve vakum pompasını açmak için güç anahtarına (41 ve 42) basın.

Geri kazanım tankı tamamen atık su ile dolduğunda boşaltmak için aşağıdaki adımları uygulayın.

Geri kazanım tankını boşaltma

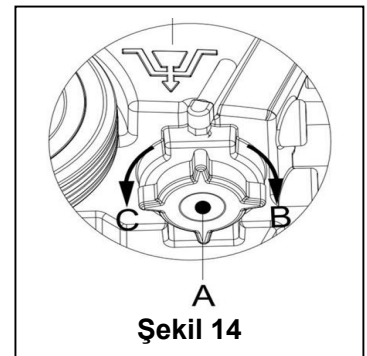
1. Makineyi kapatın.
2. Silici lastik tutamağını (14) kullanarak sileceği kaldırın.
3. Makineyi atık boşaltma yerine götürün.
4. Kontrol kolu (2) kavrayın ve kılavuz tekerlek zemine temas edene kadar makineyi nazikçe geriye doğru eğin. (Makineyi kenara kaldırma için lütfen makinenin durdurulması bölümüne bakın.)
5. Boşaltma hortumunu sabitleme mandalından çıkarın, boşaltma hortumunun üst ucunu bükün (Şekil 13, A'da gösterildiği gibi) ve daha sonra boşaltma hortumunun kapağını açın, suyu boşaltmak için boşaltma hortumunu daha aşağı bir seviyeye indirin veya yere bırakın. Alternatif olarak, su çıkışının aşağı doğru bakması için boşaltma hortumunu doğrudan daha alçak bir pozisyona getirin veya yere bırakın (Şekil 13, B'de gösterildiği gibi) ve daha sonra tanktaki atık suyu boşaltmak için su boşaltma mandalını döndürün. Boşaltma tamamlandığında geri kazanım tankının içerisini durulamak için saf su kullanın.



Şekil 13

**DİKKAT!**

Atık suyu boşaltırken, atık için olan vakum tüpü daha alçak bir pozisyona katlanmalı veya alçaltılmalıdır (Şekil 13 A veya B) ve daha sonra suyun boşaltılması için atık su vakum tüpü anahtarını açın. Suyu düşey olarak boşaltmak için vakum tüpü çıkışını yukarıya baktırmayın. Bu atık suyun kullanıcının üzerine dökülmesine engel olmak içindir.



Şekil 14

Solüsyon tankını boşaltma

6. Adım 1 - 4'ü tamamlayın.
7. Şekil 14'te gösterildiği şekilde Solüsyon tankı (A), kapağını C yönünde saat yönünün tersi istikametinde döndürerek açın ve Solüsyon tankını tamamen boşaltın. Su tankının içerisini

durulamak için saf su kullanın. İş tamamlandığında Solüsyon tankı (A) kapağını B yönünde sıkıca kapatın.

MAKİNEYİ KULLANDIKTAN SONRA

İş tamamlandığında makineyi terk etmeden önce aşağıdaki adımları tamamlayın:

1. Yukarıda fırça/keçe tutucunun takılması ve sökülmesi konusunda bahsedilen adımları gerçekleştirin ve fırça/keçe tutucuyu çıkarın.
2. İlgili bölümlerde tarif edilen adımları gerçekleştirdikten sonra Solüsyon tankı ve geri kazanım tankındaki suyu tamamen boşaltın.
3. Günlük bakım prosedürlerini gerçekleştirin (bakım bölümüne bakın).
4. Makineyi, fırça/keçe tutucu ve sileceği ile birlikte temiz ve kuru bir yerde saklayın. Silici lastik kaldırılmalı veya çıkarılmalıdır.

KULLANILMAMA ZAMANI

Eğer makine 30 günden daha fazla süre kullanılmayacaksa lütfen şu şekilde hareket edin:

1. Makine kullanıldıktan sonra tamamlanması gereken işlemleri gerçekleştirin.
2. Bataryayı makineye bağlayan bağlantıyı (9) ayırın.
3. Bataryanın zarar görmemesi için ve makine 3 aydan daha fazla süre kullanılmayacaksa lütfen bataryayı her 3 ayda bir şarj edin.

İLK KULLANIM

İlk 9 saat kullanımdan sonra lütfen çalışma sırasında herhangi bir parçanın gevşemediğini veya hasar görmediğini kontrol edin ve gözle görülebilir herhangi bir hasar veya sızıntı olup olmadığını kontrol edin.

BAKIM VE MUHAFAZA

Cihazın kullanım ömrü 10 yıldır.

Makinenin servis ömrü ve azami çalışma güvenliği uygun ve zamanında yapılan bakım ve koruma ile sağlanır. Aşağıdaki tabloda makine için genel bakım planını göstermektedir. Bakım için zaman aralıkları büyük oranda makinenin çalışma şartlarına göre belirlenmektedir. Bu zaman aralıkları bakımdan sorumlu personel tarafından formüle edilmelidir.



UYARI!

Bu prosedürler sadece makinenin gücü kapatılarak ve batarya bağlantısı kesilerek gerçekleştirilmelidir. Bakım işlem adımlarından herhangi birini gerçekleştirirmeden önce lütfen ilgili güvenlik bölümlerini dikkatli bir şekilde inceleyin.

Planda yer alan tüm bakım veya ilave bakımlar kalifiye bir personel tarafından veya yetkili servis merkezlerinde gerçekleştirilmelidir.

Bu kılavuz sadece en basit ve en genel bakım prosedürleri ile alakalıdır.

Bu tabloda belirtilenler veya planlı bakımlar dışındaki herhangi bir bakım prosedürü için servis merkezlerindeki bakım kılavuzuna başvurun.

PLANLI BAKIM TABLOSU

Prosedür	Günlük, Makine kullanıldıktan sonra	Haftalık	Her 6 ay	Yıllık
Bataryayı şarj edin				
Sileceği temizleyin				
Fırça/keçe tutucuyu temizleyin				
Su tankını ve yüzer filtreyi temizleyin, su tankının kapatma şeritlerini kontrol edin				
Silici lastik şeridini kontrol edin ve değiştirin				
Solüsyon filtresini temizleyin				
Vakum pompa filtresini temizleyin				
Sulu akünün sıvı düzeyini kontrol edin			(1)	
Fırça/keçe tutucunun motor karbon fırçasını kontrol edin veya değiştirin				(2)
Vakum pompasının karbon fırçasını kontrol edin veya değiştirin				(2)

- (1) Makine çalışmaya başladıktan 9 saat sonra yapılmalıdır.
- (2) Bu bakım prosedürleri yetkili bir VIPER Servis Merkezinde gerçekleştirilmelidir.

BATARYA ŞARJI



NOT

Kehribar veya kırmızı ışık yandığında veya her çalışma sonrasında batarya şarj etme zamanıdır.



DİKKAT!

Batarya hizmet ömrünü uzatmak için bataryayı tam şarjlı konumda bulundurun.



DİKKAT!

Batarya gücü yetersiz hale geldiğinde batarya mümkün olan en kısa zamanda şarj edilmelidir. Lütfen şarj cihazını en az haftada bir kontrol edin.



DİKKAT!

Eğer yerleşik bir şarj cihazı yok ise bataryayı şarj etmek için uygun bir harici şarj cihazı seçin.



UYARI!

Şarj esnasında asit sızıntısı meydana gelebileceğinden bataryayı şarj ederken özel ihtimam gösterilmelidir. Batarya asidi korozivdir. Eğer göz veya cilt ile yanlışlıkla temas ederse lütfen bol su ile yıkayın ve doktora görünün.

1. Geri kazanım tankının kapağını (25) açın ve geri kazanım tankının boş mu dolu mu olduğunu kontrol edin. Eğer boş değilse boşaltma hortumu ile boşaltın. (15).
2. Makineyi belirtilen şarj alanına götürün.
3. Makineyi kapatmak için güç anahtarını (41) "O" pozisyonuna getirin.
4. Sadece ISLAK su-eklenebilir bataryalar için
 - Batarya içerisindeki elektrolit seviyesini kontrol edin. Eğer gerekli ise kapaktan doldurun..
 - Tüm kapakları açık tutun.
 - Gerekirse bataryanın üst yüzeyini temizleyin.
5. Kullanılan batarya türüne göre bataryayı şarj etmek için aşağıdaki yöntemlerden birini seçin.

Bataryayı harici bir şarj cihazı ile şarj etmek

6. İlgili kılavuza göre harici şarj cihazının uygun olup olmadığını kontrol edin. Çıkış voltajı DC 24V olmalıdır.
7. Batarya bağlantısını harici konektöre bağlayın ve harici konektörü prize bağlayın.
8. Şarj işlemi tamamlandığında bataryanın şarj konektörünü makineye bağlayın.

Bataryayı yerleşik şarj cihazı ile şarj etmek (opsiyonel)

9. Batarya şarj bağlantısı ucundaki lastik kapağı çıkarın.
10. Batarya şarj konektörünün ucunu fiş ile bir şarj bağlantı kablosuna bağlayın. (Lütfen yerleşik şarj cihazının giriş voltajının 220V – 240V olduğunu ve çıkış voltajının 24V olduğunu ve frekansın gereksinimlere uyduğunu kontrol edin.) Şarj cihazı bağlantı noktalarına bağlandığında diğer tüm fonksiyonlar otomatik olarak keSilici lastiktir. Eğer yerleşik şarj cihazı üzerindeki kırmızı ikaz ışığı yanmaya devam ederse bu şarj cihazının bataryayı şarj ettiğini göstermektedir.
11. Yeşil ışık yandığında (47), bu batarya şarj işleminin tamamlandığını göstermektedir.
12. Şarj işlemi bittiğinde bağlantı kablosunu batarya şarj bağlantısından ve bağlantı noktalarından çıkarın ve lastik kapağını kapatın.
13. Şarj cihazını fişten çekin ve kabloyu makaraya (6) sarın.



NOT

Eğer yerleşik şarj cihazı (35) hakkında daha fazla bilgiye ihtiyac duyarsanız lütfen ilgili kılavuza bakın.

SİLECEK TEMİZLEME



NOT

Su Vakumunun en iyi etkisini sağlamak için Silici lastik temiz tutulmalı ve Silici lastik şeridi iyi durumda olmalıdır.

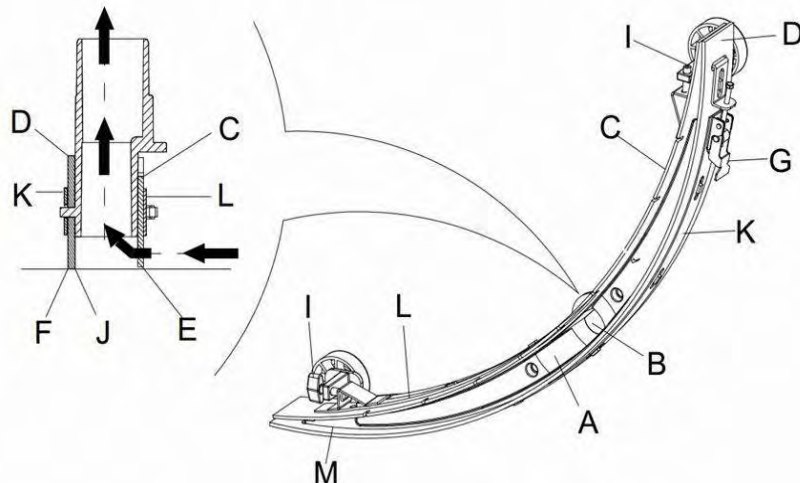
**DİKKAT!**

Silici lastik temizlenirken eldiven giyilmesi önerilir çünkü Silici lastik keskin parçalar ihtiva edebilir.

1. Makineyi düz ve yumuşak bir zemine götürün.
2. Makineyi kapatmak için güç anahtarını (41) "O" pozisyonuna getirin.
3. Silici lastik sabitleme kolunu (16) sökün; sileceğin Geri Kazanım Vakum tüpünü bağlayan bağlantıyı çıkarın ve sileceği yerinden çıkarın.
4. Silici lastik destek çerçevesini yükseltmek için Silici lastik kaldırma tutamağını (14) kullanın.
5. Sileceği temizleyin (**Şekil 15**). Özellikle oluşu (**A, Şekil 15**) ve Vakum tüpü üzerindeki kir ve artıkları temizleyin. Ön Silici lastik bıçağı (C) ve arka Silici lastik bıçağının (D) sağlam olduğunu ve uçlarında kırık ve çatlak olup olmadığını kontrol edin. Eğer gerekirse değiştirin (aşağıdaki bölümdeki adımları uygulayın).
6. Sileceği yukarıdaki tersi sıra ile tekrar yerine takın.

SILICI LASTİK BİÇAĞI KONTROLÜ VE DEĞİŞTİRME

1. Bir önceki bölümde bahsi geçen yöntemleri uygulayarak sileceği (**Şekil 15**) temizleyin
2. Ön Silici lastik bıçağı ucunu (**E, Şekil 15**) ve arka Silici lastik (D) bıçağı ucunu (F) kontrol edin. Tüm uzunluk boyunca aynı seviyede olmalıdırlar. Değilse aşağıdaki prosedürü uygulayarak yüksekliklerini ayarlayın.
 - Arka Silici lastik bıçağının (D) mandalını (G) Silici lastik pozisyonunu ayarlamak üzere dirsekten (M) ayırmak için gevşetin. Ayarladıktan sonra mandalı tekrar kilitleyin.
 - Ön Silici lastik bıçağını (C) ayarlamak için kol (I) üzerindeki vidayı gevşetin; ayarladıktan sonra kolu sıkın.
3. Ön Silici lastik bıçağı (C) ve arka Silici lastik bıçağının (D) sağlam olduğunu ve uçlarında kırık ve çatlak olup olmadığını kontrol edin. Gerekirse bunları aşağıdaki yöntemler ile değiştirin. Arka Silici lastik bıçağının (J) ön kenarının yıpranmış olup olmadığını kontrol edin. Eğer yıpranmış ise üst kısım alta gelecek şekilde takılabilir (üst kısmın sağlam olması gerekir). Eğer üst kısım da yıpranmış ise aşağıdaki prosedürü uygulayarak değiştirin:
 - Basınç bıçağının dirsekten (M) ayrılması için mandalı (M) gevşetin, mandal kolunu (K) çıkarın ve daha sonra değiştirin veya arka Silici lastik bıçağının (D) altını üstüne çevirin. Arka Silici lastik bıçağını yukarıdaki tersi sıra ile tekrar yerine takın.
 - Tutamak vidasını (I) gevşetin ve ön mandal kolunu (L) çıkarın ve daha sonra ön sileceği değiştirin (C).
Ön Silici lastik bıçağını yukarıdaki tersi sıra ile tekrar yerine takın.
Silici lastik bıçağını değiştirdikten sonra (veya altını üstüne çevirip taktıktan sonra) ön ve arka Silici lastik bıçaklarının yüksekliklerini yukarıda belirtilen şekilde ayarlayın.
4. Vakum tüpünü (11) Silici lastik üzerine takın.
5. Sileceği takın ve sıkıştırmak için topuzu (16) kullanın ve daha sonra Vakum tüpünü sileceğe bağlayın.
6. Eğer gerekirse sileceği ayarlama el çarkını (20) kullanarak ayarlayın (Silici lastik dengesini ayarlamak için anlatılan prosedürlere bakın).

**Şekil 15**

FIRÇA/PARLATMA KEÇESİNİ TEMİZLEME

**DİKKAT!**

Fırça/keçe tutucusunu temizlerken, koruyucu eldiven giyilmesi önerilir çünkü keskin parçalar ihtiva edebilirler.

1. Önceki bölümde anlatılan şekilde fırça/keçe tutucuyu çıkarın.
2. Su ve deterjan kullanarak fırça/keçe tutucuyu temizleyin.
3. Fırça kıllarının sağlamlığını ve yıpranma durumunu kontrol edin ve gerekiyorsa fırçayı değiştirin.
4. Keçe tutucunun yıpranma durumunu kontrol edin ve gerekirse keçe tutucuyu değiştirin.

SU TANKI VE YÜZER FİLTRE AĞINI TEMİZLEME

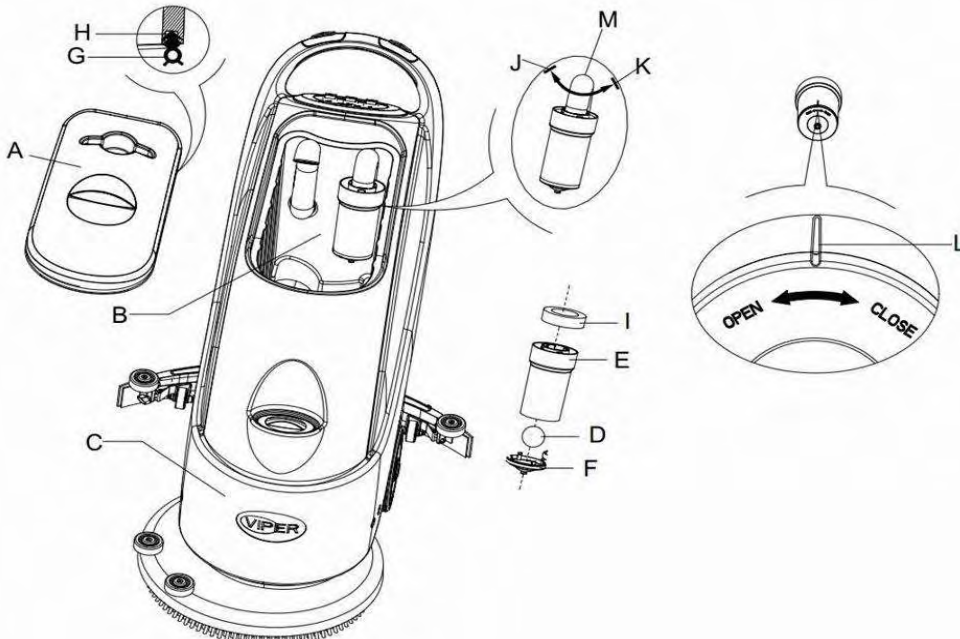
1. Makineyi atık boşaltma yerine götürün.
2. Makineyi kapatmak için güç anahtarını (41) "O" pozisyonuna getirin.
3. Geri kazanım tank kapağını (A, Şekil 16) açın ve yüzer cihazı (36) geri kazanım tankından çıkarın.
4. Geri kazanım tankı kapağını (A), tankı (B ve C) ve yüzer filtre destek çerçevesini(E) temizlemek için saf su kullanın. Geri Kazanım tüpü (15) ile tanktan tüm suyu boşaltın.
5. Gerekirse, Şekil 16'te gösterildiği gibi "Açık" ve "Kapalı" sembollerini takip ederek yüzer filtrenin alt kapağını (F) açın ve yüzeri (D), yüzer filtre destek çerçevesini (E) ve filtre süngerini (I) temizleyin. Temizledikten sonra yüzeri, yüzer filtre destek çerçevesine (E) sabitleyin ve daha sonra alt kapaktaki (F) işaret oyuğunu (L) yüzer filtre destek çerçevesinin (E) işaret oyuğu (L) ile hizalayın. Yüzer filtrenin alt kapağını (F) döndürün ve filtre süngerini (I) yüzer filtre destek çerçevesi (E) üzerine ve daha sonra Vakum tüpü (M) üzerine sabitleyin.
6. Su tank kapağının sızdırmazlık halkasının (G) sağlamlığını kontrol edin.

**NOT**

Su tankının sızdırmazlık halkası (G) su tankının vakum yapmasını sağlamaktadır. Kirli suyun zeminden etkili olarak çekilebilmesi için bunun tamamen sızdırmaz olması gerekmektedir.

Eğer gerekirse su tankının sızdırmazlık şeridi (G) kanaldan (H) çıkarılıp değiştirilebilir. Yeni bir su tankı sızdırmazlık halkası takılırken konektörü arka kısmın orta bölümüne Şekil 16'te gösterildiği şekilde takın.

7. Sızdırmazlık halkasının (G) alıcı yüzeyinin sağlam ve yeterince sızdırmazlık sağladığını kontrol edin.
8. Geri kazanım tankı kapağını (A) kapatın.



Şekil 16

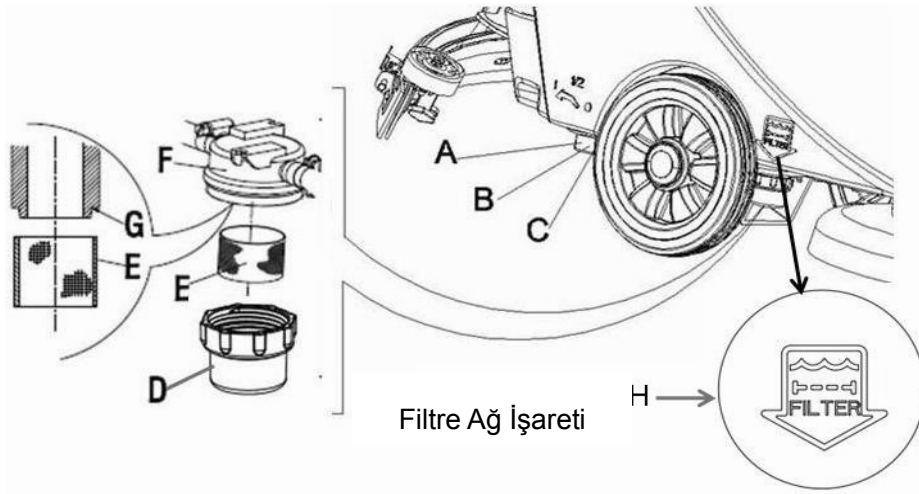
SOLÜSYON FİLTRESİ TEMİZLEME

1. Solüsyon tankındaki tüm suyu ilgili bölümlerde gösterildiği şekilde boşaltın.
2. Makineyi düz ve yumuşak bir zemine götürün.
3. Makineyi kapatmak için güç anahtarını (41) "O" pozisyonuna getirin.
4. Boşaltma topuz valfi (A, Şekil 17) kapatın (makinenin altında, tekerlerin arkasında yer almaktadır). B topuz valfi açık ve C topuz valfi kapalı konuma getirin.
5. Transparan kapağı (D) çıkarın ve daha sonra filtreyi (E) çıkarın ve temizledikten sonra bunları filtre kutusuna (F) takın.

**NOT**

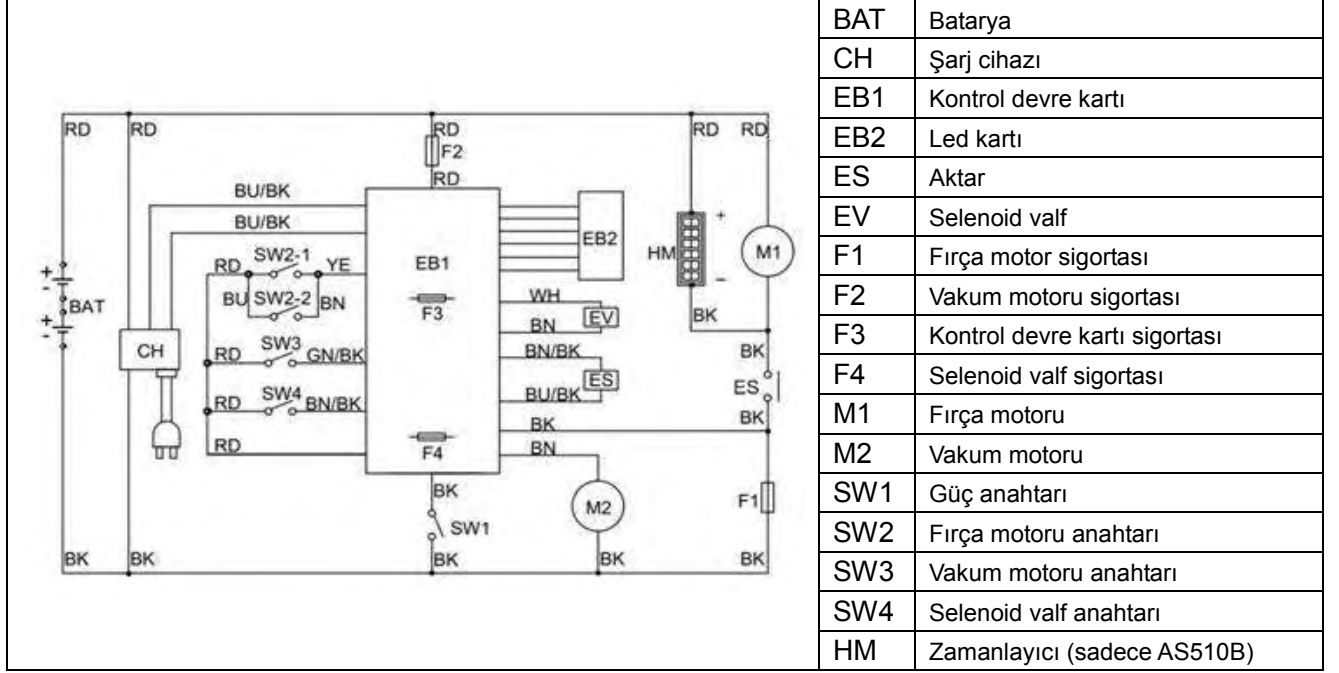
Filtre (E) çıkıntı (G) üzerine düzgün bir şekilde takılmalıdır.

6. Boşaltma topuz valfi (A) açın.



Şekil 17

AS430B VE AS510B DEVRE ŞEMASI



RENK KODLARI

RD=Kırmızı	BN=Kahverengi	BU/BK=Mavi/Siyah
BU=Mavi	YE=Sarı	GN/BK=Yeşil/Siyah
BK=Siyah	WH=Beyaz	BN/BK=Kahverengi/Siyah

SORUN GİDERME

Sorun	Muhtemel Nedenler	Çözüm
Makine çalışmıyor: Gösterge ışığı yanmıyor	Batarya konektörü (9) bağlı değil.	Batarya konektörünü bağlayın
	Batarya gücü tükenmiş	Bataryayı şarj edin
İkaz ışığı (39 ve 40) yanıp sönüyor	Fırça motoru aşırı yüklenmiş	Temizlenen yüzeye uyum sağlayacak şekilde yumuşak bir fırça takın
	Başka maddeler fırçanın dönmesini zorlaştırıyor	Fırçayı temizleyin
Fırça çalışmıyor	Fırça sigortası hareketi kapalı	İlk duruma getir
	Kayış kayıyor	Kayışı kontrol edin gergi kasnağını ayarlayın
Vakum motoru çalışmıyor	Vakum sigortası hareketi kapalı	İlk duruma getir
Yetersiz Vakum	Atık su tankı dolu.	Su tankını boşaltın
	Atık vakum tüpü ve Silici lastik düzgün şekilde bağlı değil	Atık vakum tüpünü ve sileceği bağlayın
	Yüzer filtre tıkanmış veya giriş tıkanmış	Yüzer filtreyi temizleyin, yüzer topu kontrol edin
	Silici lastik kirli veya Silici lastik bıçağı yıpranmış veya hasarlı	Sileceği temizleyin ve kontrol edin
	Geri kazanım tankı kapağı düzgün şekilde açılmamış veya su tankının sızdırmazlık halkası hasar görmüş	Kapağa düzgün bir şekilde yeniden takın veya su tankı sızdırmazlık halkasını değiştirin
Fırça saf su desteği yetersiz	Filtre kirli.	Filtreyi temizleyin
Silici lastik iz bırakıyor	Silici lastik altında birikinti benzeri parçalar	Parçaları temizleyin
	Silici lastik bıçağı yıpranmış, kırık, çatlak.	Silici lastik bıçağını değiştirin
	Silici lastik dengesi ayarlanmamış	Dengeyi ayarlayın

**NOT**

Eğer makinede opsiyonel yerleşik şarj cihazı var ise ve yerleşik şarj cihazı hasarlı ise makine çalıştırılmaz.

Eğer yerleşik şarj cihazı hasarlı ise lütfen yetkili satıcı merkezi ile irtibata geçin.

Daha fazla bilgi için lütfen bakım kılavuzuna bakın (herhangi bir VIPER bakım merkezinde bulunabilir)

MAKİNEİN ELDEN ÇIKARILMASI

Bu makineyi yok etmek için kalifiye bir kırım makinesi kullanın.

Bu makineyi imha etmeden önce lütfen, ilgili yasalara ve düzenlemelere göre uygun şekilde işlenmesi gereken aşağıdaki malzemeleri ayırın.

- Batarya
- Fırça/keçe tutucu
- Plastik hortumlar ve plastik parçalar
- Elektrikli ve elektronik parçalar (*)

(*): Lütfen en yakın VIPER Merkezi ile irtibata geçin (özellikle elektrikli ve elektronik parçaların hurdaya ayrılması gerektiğinde).

OBSAH

ÚVOD	167
OBSAH NÁVODU K OBSLUZE	167
ZAMĚŘENÍ.....	167
NÁHRADNÍ DÍLY A ÚDRŽBA.....	167
ZMĚNY A VYLEPŠENÍ.....	167
ÚČEL POUŽITÍ.....	167
VYBALENÍ/DODÁVKA.....	167
VŠEOBECNÉ BEZPEČNOSTNÍ POKYNY	168
TECHNICKÉ ÚDAJE.....	169
POPIS PŘÍSTROJE	169
SLOŽENÍ PŘÍSTROJE.....	169
OVLÁDACÍ PANEL	170
ZNÁZORNĚNÍ KONTROLKY NABÍJEČKY	171
POUŽITÍ.....	171
MONTÁŽ BATERIE NOVÉHO PŘÍSTROJE.....	171
MONTÁŽ BATERIE A NASTAVENÍ TYPU BATERIE (KAPALNÉ NEBO GELOVÉ/AGM).....	172
PŘED UVEDENÍM PŘÍSTROJE DO PROVOZU	173
MONTÁŽ DRŽÁKU KARTÁČE/PODLOŽKY	173
NASTAVENÍ VYVÁŽENÍ SACÍ TRYSKY	174
REGULACE TOKU VODY	174
SPUŠTĚNÍ A ZASTAVENÍ PŘÍSTROJE	174
OBSLUHA PŘÍSTROJE (ČIŠTĚNÍ A VYSOUŠENÍ).....	175
VYPRÁZDNĚNÍ NÁDRŽE.....	176
PO POUŽITÍ PŘÍSTROJE	176
PŘI NEPOUŽÍVÁNÍ PŘÍSTROJE NA DELŠÍ DOBU	177
PRVNÍ POUŽITÍ	177
ÚDRŽBA A PÉČE	177
TABULKA PLÁNOVANÉ ÚDRŽBY	177
NABÍJENÍ BATERÍ	178
ČIŠTĚNÍ SACÍ TRYSKY	178
KONTROLA A VÝMĚNA LISTU STĚRKY.....	179
ČIŠTĚNÍ KARTÁČE/LEŠTICÍ PODLOŽKY	180
ČIŠTĚNÍ MŘÍŽKY NÁDRŽE A MŘÍŽKY FILTRU S PLOVÁKEM.....	180
ČIŠTĚNÍ FILTRU NÁDRŽE ČISTICÍHO PROSTŘEDKU	181
SCHÉMA ZAPOJENÍ AS430B A AS510B	182
ŘEŠENÍ POTÍŽÍ.....	183
LIKVIDACE PŘÍSTROJE.....	183

ÚVOD



POZNÁMKA

Čísla v závorkách se vztahují k součástem uvedeným v kapitole "Popis přístroje".

OBSAH NÁVODU K OBSLUZE

Tento návod má uživateli poskytnout potřebné informace pro správnou a bezpečnou obsluhu tohoto přístroje. Obsahuje informace o technických údajích, bezpečnosti, provozu, skladování, údržbě a likvidaci přístroje. Před používáním a obsluhou tohoto přístroje je třeba, aby si provozovatel a kvalifikovaní technici pečlivě přečetli tento návod k obsluze. V případě dotazů ohledně tohoto návodu nebo dalších informací kontaktujte výrobce VIPER.

ZAMĚŘENÍ

Tento návod slouží provozovateli a kvalifikovaným technikům pro provádění údržby tohoto přístroje. Provozovatel nesmí provádět úkony, které by měli provádět pouze technici. Společnost VIPER neponese odpovědnost za škody způsobené porušením tohoto zákazu.

NÁHRADNÍ DÍLY A ÚDRŽBA

Všechny potřebné úkony, údržbu a opravy musí provádět kvalifikovaný personál nebo servisní střediska společnosti VIPER.

Je nutné používat pouze originální náhradní díly a příslušenství.

Pokud je třeba objednat náhradní díly nebo příslušenství, kontaktujte prosím společnost VIPER. Uvádějte číslo modelu přístroje a sériová čísla.

ZMĚNY A VYLEPŠENÍ

Společnost VIPER neustále zlepšuje své produkty. Společnost VIPER si vyhrazuje právo na změny a úpravy produktů, a také právo rozhodnout, zda tyto výhody bude aplikovat na produkty již dříve prodané. Veškeré změny nebo přidání dodatečného příslušenství musí být provedeny společností VIPER.

ÚČEL POUŽITÍ

Tento přístroj je určen k použití v domácím a průmyslovém prostředí, a je vhodný k čištění hladkých a tvrdých podlah (čištění a vysávání špinavé vody). Musí být používán odbornými pracovníky a v bezpečném prostředí. Tento přístroj není určen pro venkovní použití, čištění kobereců a relativně hrubých podlah.

VYBALENÍ/DODÁVKA

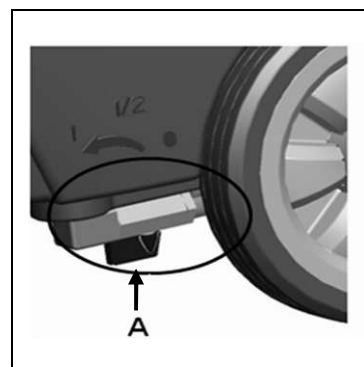
Při vybalování prosím pečlivě dodržujte pokyny na obalu.

Při dodání prosím zkontrolujte, zda nebyl obal a přístroj během dodávky poškozen. V případě viditelného poškození si ponechte originální doklad a požádejte dopravce o vyplnění stížnosti na poškození.



- POZOR

Při vybalování a vykládání nebo při přesunu přístroje po schodech, dávejte pozor, abyste nezavadili o spínač regulace toku vody, viz část A na obrázku vpravo.



Zkontrolujte, zda balení obsahuje následující položky:

1. Technickou dokumentaci,
 - Návod k obsluze mycího stroje
 - Palubní nabíječku (záleží na modelu)
2. Konektor pro připojení nabíječky (pokud není součástí palubní nabíječky, je na externí nabíječce)

VŠEOBECNÉ BEZPEČNOSTNÍ POKYNY

Následující upozornění a varování upozorňují na možná poškození přístroje (nebezpečí zranění a poškození přístroje):



VAROVÁNÍ !

- Přístroj lze obsluhovat pouze po seznámení se s tímto návodem. Přístroj používejte pouze s příslušenstvím schváleným společností VIPER.
- Tento přístroj musí obsluhovat pouze řádně vyškolený a oprávněný personál. Přístroj nesmí používat děti či neoprávněné osoby.
- Při normálním provozu přístroje unikají z baterie výbušné plyny. Baterie musí být mimo dosah otevřeného ohně, plamenů, hořlavého materiálu a jisker. Při použití přístroje se ujistěte, že je prostor dobře větraný a mimo dosah otevřeného ohně. Během nabíjení baterie je v blízkosti přístroje zakázáno kouřit.
- Před prováděním údržby/opravy přístroje odpojte baterii.
- Před použitím palubní nabíječky se ujistěte, že hodnoty napětí a kmitočtu uvedené na štítku se sériovým číslem se shodují se sítí.
- Při práci v blízkosti elektrických částí nenoste žádné šperky. Přijměte prosím veškerá preventivní opatření, abyste zabránili zachycení vlasů, šperků a volného oblečení pohyblivými částmi přístroje.
- Přístroj prosím nepoužívejte v nadměrně znečištěných prostorech. Nemyjte přístroj pod přímým proudem vody. Zabraňte kontaktu přístroje s žíravinami.
- Teplota pro skladování a pracovní teplota přístroje se musí pohybovat v rozmezí 0 - 40 °C.
- Vlhkost vzduchu musí být v rozmezí 30 % - 105 %.
- Přístroj používejte na plochách s maximálním stoupáním do 2 %.
- V případě požáru použijte suché práškové hasicí přístroje. Nepoužívejte tekuté hasicí přístroje.
- Při přepravě přístroje je třeba dávat pozor při teplotách pod bodem mrazu. Voda v nádrži na vodu a voda v hadicích by mohla zamrznout a přístroj vážně poškodit.
- Používejte kartáče a podložky dodávané s přístrojem a příslušenství uvedené v návodu. Použití jiných kartáčů nebo podložek by mohlo snížit bezpečnost přístroje.
- V případě poruchy přístroje se ujistěte, že to není způsobeno nedostatečnou údržbou. Pokud se jedná o jinou příčinu, vyhledejte pomoc pověřených pracovníků nebo servisního střediska.
- Pokud je třeba vyměnit náhradní díly, obraťte se na autorizované prodejce nebo zástupce výrobce.
- Pro zajištění bezpečného a řádného provozu stroje nechte kvalifikovanou osobu nebo servisní středisko provést plánovanou údržbu podle plánů údržby v příslušných oddílech tohoto návodu.
- Tento přístroj musí být řádně zlikvidován z důvodu úniku možných jedovatých a nebezpečných látek (baterie atd.), tyto látky musí být zlikvidovány speciálními středisky v souladu s příslušnými zákony a předpisy (viz kapitola Likvidace přístroje).

TECHNICKÉ ÚDAJE

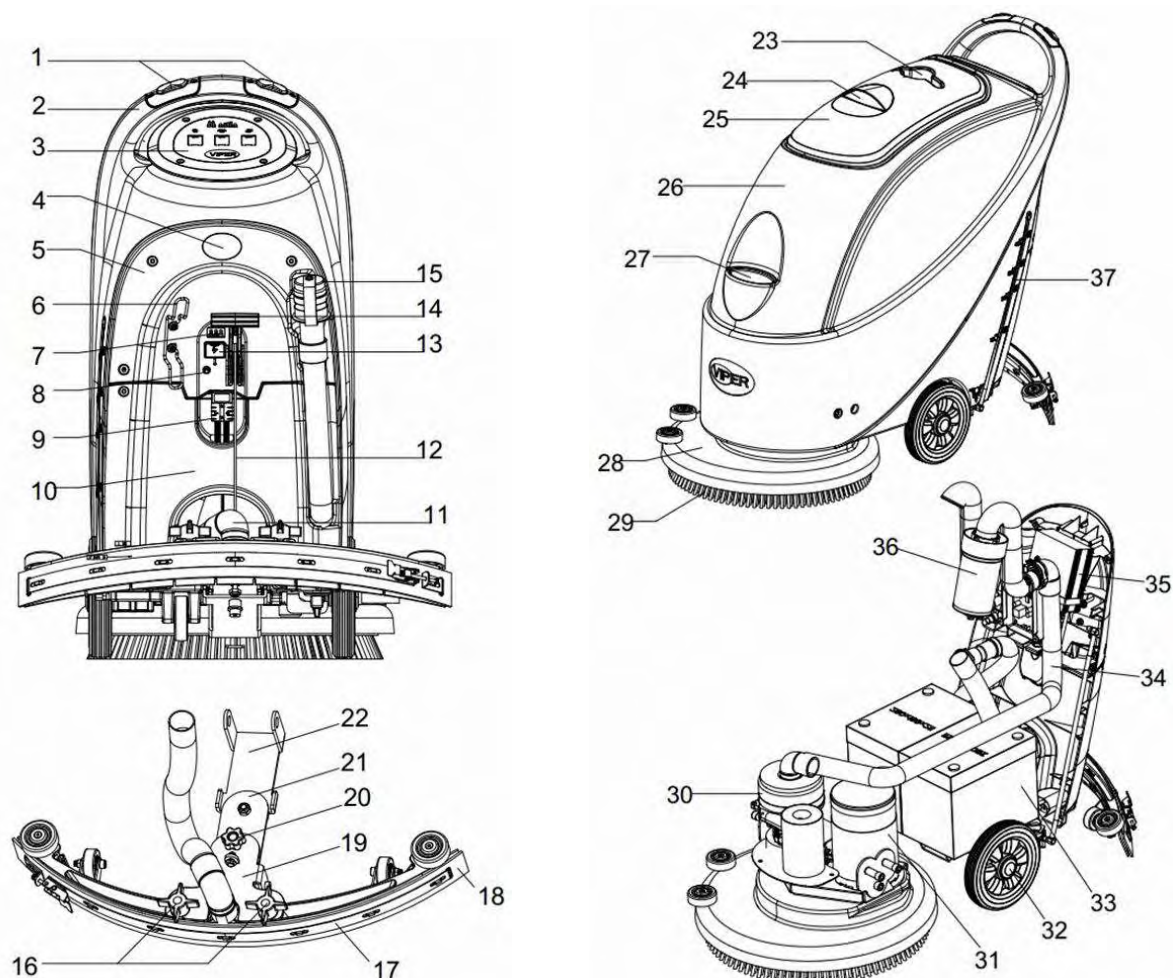
Model	AS430B	AS510B
Výška přístroje	980 mm	
Kapacita nádrže čisticího prostředku	40 litrů	
Kapacita nádrže na obnovu vody	40 litrů	
Průměr přepravního kola	200 mm	
Průměr vodícího kola	76 mm	
Příkon motoru sacího systému	350 W	
Stoupavost	max. 2 %	
Hladina akustického tlaku na pracovišti	70 dB (A) ± 3 dB (A)	
Standardní baterie	(2 × 12 V) 24 V 85 Ah AGM	(2 × 12 V) 24 V 105 Ah AGM
Rozměry prostoru pro baterie (Š x D x V)	max. 340 x 330 x 260 mm	
Kapacita okruhu sacího systému	1 200 mm H ₂ O	
Šířka čištění	430 mm	510 mm
Šířka sací trysky	730 mm	790 mm
Maximální délka přístroje	1 060 mm	1 100 mm
Šířka přístroje bez sací trysky	480 mm	540 mm
Průměr kartáče	430 mm	510 mm
Hmotnost bez baterií a s prázdnými nádržemi	112 kg	128 kg
Hrubá hmotnost přístroje připraveného k použití	152 kg	168 kg
Příkon motoru kartáče	550 W	560 W
Rychlost kartáče	150 rpm	
Přítlak kartáče/podložky	max. 30 kg	max. 35 kg
Rozměry balení (D x Š x V)	1 200 x 610 x 1 170 mm	

POPIS PŘÍSTROJE SLOŽENÍ PŘÍSTROJE

- | | |
|---|--|
| 1. Bezpečnostní spínač | 20. Regulační kolečko pro nastavení sací trysky |
| 2. Řídítka | 21. Zadní opěra sací trysky |
| 3. Ovládací panel | 22. Přední opěra sací trysky |
| 4. Štítek se sériovým číslem/Technické údaje
/Prohlášení o shodě | 23. Držák nápojů |
| 5. Kryt řízení | 24. Úchyt krytu nádrže na obnovu vody |
| 6. Držák kabelu (*) | 25. Kryt nádrže na obnovu vody |
| 7. Kontrolka stavu baterie | 26. Tělo nádrže |
| 8. Nulovací spínač | 27. Kryt nalévacího otvoru |
| 9. Konektor baterie | 28. Jednotka s kartáči |
| 10. Kryt baterie | 29. Držák kartáče/podložky |
| 11. Sací trubice na odpad | 30. Motor sacího systému |
| 12. Kabel sací trysky | 31. Motor kartáče |
| 13. Ochranný kryt konektoru baterie | 32. Kolo |
| 14. Úchyt pro zvednutí sací trysky | 33. Baterie |
| 15. Odtoková hadice | 34. Sací trubice |
| 16. Pevný knoflík sací trysky | 35. Nabíječka (*) |
| 17. Svorka sací trysky | 36. Plovákový filtr |
| 18. List stěrky | 37. Měrka hladiny vody (pro indikaci množství
vody v nádrži čisticího prostředku) |
| 19. Opěra sací trysky | |

(*) Platí pouze pro přístroje s již nainstalovanou palubní nabíječkou (volitelné)

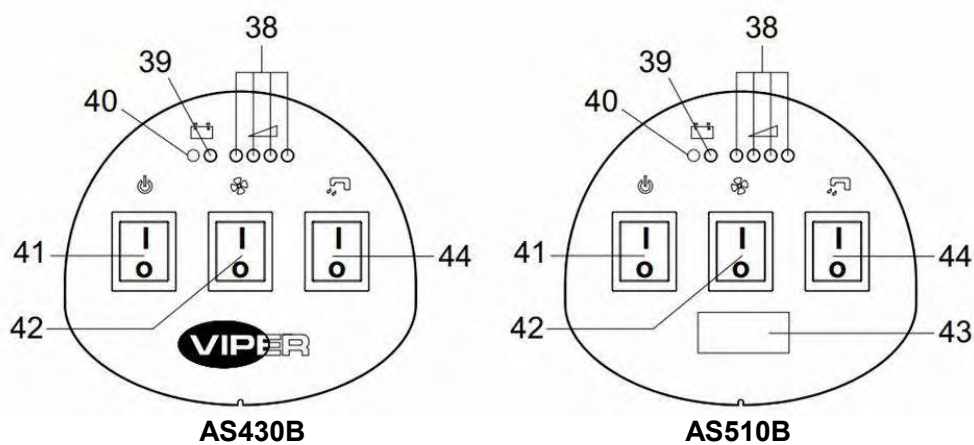
OBRÁZKY SLOŽENÍ PŘÍSTROJE



Obrázek 1

OVLÁDACÍ PANEĽ (Obrázek 2)

- 38. Kontrolka stavu nabití baterie (zelená při plném nabití)
- 39. Kontrolka vybité baterie (červená)
- 40. Kontrolka vybité baterie (červená)
- 41. Hlavní spínač
- 42. Spínač sání
- 43. Časovač (volitelný, používá se pro záznam doby provozu kartáče)
- 44. Spínač elektromagnetického ventilu pro ovládání rozstřikovače vody

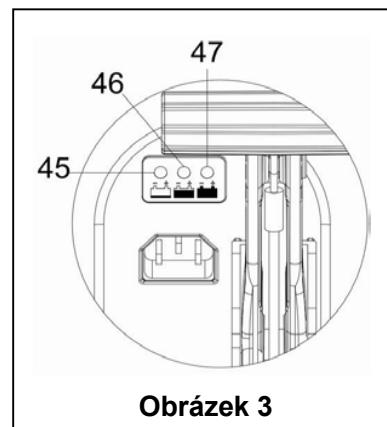


Obrázek 2

ZNÁZORNĚNÍ KONTROLKY NABÍJEČKY (Obrázek 3)

(Volitelné, platí pouze pro modely s vestavěnou nabíječkou)

1. Při zahájení nabíjení červená kontrolka nabíječky (45) několikrát zabliká a pak svítí červeně, což značí první fázi nabíjení;
2. Po nabíjení po určitou dobu červená kontrolka nabíječky (45) zhasne, žlutá kontrolka (46) se permanentně rozsvítí, což značí druhou fázi nabíjení;
3. Po nabíjení po dobu cca 10 hodin žlutá kontrolka (46) zhasne, (47) zelená kontrolka se permanentně rozsvítí, což znamená, že baterie je nabitá a nabíjení skončilo.



POZNÁMKA

- 1) Pokud během nabíjení žlutá kontrolka bliká: typ baterie není kompatibilní s nabíječkou, baterie není správně připojena nebo došlo ke zkratu na výstupní svorce.
- 1) Pokud bliká červená kontrolka: došlo ke zkratu uvnitř nabíječky. (Podrobnosti naleznete v příslušných částech návodu nabíječky.)

POUŽITÍ



VAROVÁNÍ

Na některých místech přístroje jsou uvedeny štítky označující:

- NEBEZPEČÍ
- VAROVÁNÍ
- POZOR
- DOPORUČENÍ

Při čtení tohoto návodu musí provozovatel věnovat zvláštní pozornost symbolům na štítcích. Tyto štítky za žádných okolností nezakrývejte. V případě jejich poškození je prosím ihned vyměňte.

MONTÁŽ BATERIE NOVÉHO PŘÍSTROJE



VAROVÁNÍ

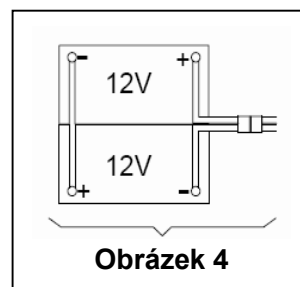
Nesprávnou montáží baterie nebo nesprávným připojením se mohou části přístroje vážně poškodit. Baterii smí připojit pouze kvalifikované osoby. Nastavte funkční obvodovou desku a palubní nabíječku (volitelné) podle čísla modelu používané baterie (KAPALNÉ nebo GELOVÉ).

**Před montáží baterie zkontrolujte, zda není baterie poškozená.
Odpojte konektor baterie a zástrčku palubní nabíječky.
S baterií zacházejte opatrně.**

Tento přístroj vyžaduje dvě (2) 12 V baterie. Zapojte je dle **Obrázek 4** vpravo. Pro tento přístroj jsou vhodné následující typy:

a) Baterie (KAPALNÉ nebo GELOVÉ/AGM) jsou již nainstalovány a mohou být kdykoliv použity.

1. Zkontrolujte baterii. Prostřednictvím konektoru (9) baterii připojte k přístroji.
2. (Pouze u modelů AS430B a AS510B): Stiskněte hlavní spínač (41). Pokud svítí zelená kontrolka, baterie je připravena k použití. Pokud svítí žlutá nebo červená kontrolka, baterii je třeba nabít. (Podrobnosti ohledně souvisejících postupů viz oddíl Údržba).



b) Bez baterií

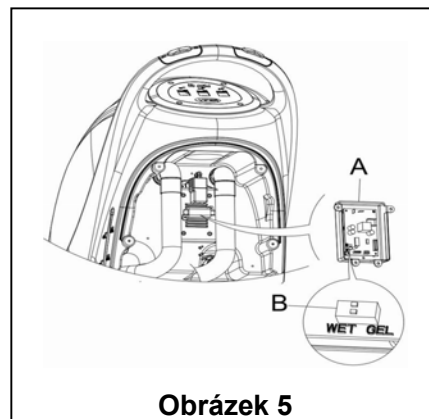
1. Kupte si podobnou baterii (viz oddíl o technických parametrech). Informace o volbě baterie obdržíte od kvalifikovaných prodejců baterií.

- Nastavte přístroj a palubní nabíječku (je-li součástí) podle typu baterií (KAPALNÉ nebo GELOVÉ/AGM). Přečtěte si také následující odstavec ohledně montáže baterie.

MONTÁŽ BATERIE A NASTAVENÍ TYPU BATERIE (KAPALNÉ NEBO GELOVÉ/AGM)

Podle typu baterie (KAPALNÉ nebo GELOVÉ/AGM) nastavte elektrickou obvodovou desku na palubní nabíječce. Postup je následující:

- Ujistěte se, že je konektor baterie odpojen. Je-li baterie přístroje typu "AGM", přejděte přímo ke kroku 8; v opačném případě proveďte kroky 2, 3 a 4.
- Odpojte odtokovou hadici (15)
- Je-li přístroj vybaven palubní nabíječkou, sundejte napájecí kabel z cívky.
- Sundejte kryt řízení (5) a vyjměte šrouby krytu baterie (10). Odstraňte šrouby na stojanu desky plošných spojů. DIP spínač (B) pro nastavení modelu baterie lze vidět při otočení desky plošných spojů. (Viz **Obrázek 5**)
- Nastavte micro DIP spínač (B) do pozice "WET" - "kapalné",
- Dokončete kroky 3, 4 a 5 v opačném pořadí.



Obrázek 5

Montáž baterií

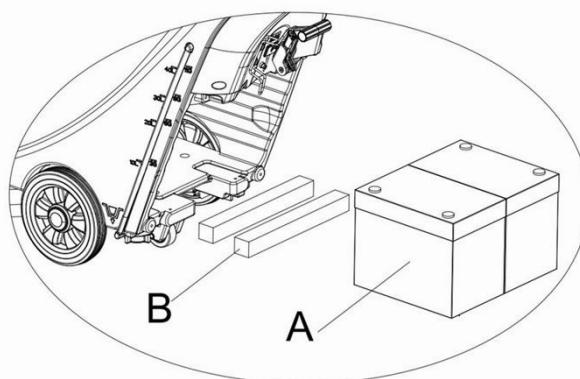
- Odpojte konektor baterie (9) .
- Otevřete kryt nádrže na obnovu vody (25) a zkontrolujte, že je nádrž prázdná; Pokud není prázdná, vyprázdněte ji prostřednictvím odtokové hadice (15).
- Odšroubujte pevný knoflík sací trysky (16), sundejte konektor spojující sací trubici na odpad (11) se sací tryskou a poté sací trysku sundejte.
- Odšroubujte šrouby krytu baterie (10) a sejměte kryt.
- Odšroubujte konektor kabelu sací trysky (12), který je připojen k držáku sací trysky (19) a zavěste kabel sací trysky směrem nahoru.
- Zavěste odtokovou hadici (15) a sací trubici na odpad (11) směrem nahoru.
- Podle velikosti baterie zatlačte fixační desku ve skřínce baterie úplně dovnitř.

POZNÁMKA

Rozměr baterie nesmí přesáhnout: V x Š x D: 330 mm x 170 mm x 260 mm.

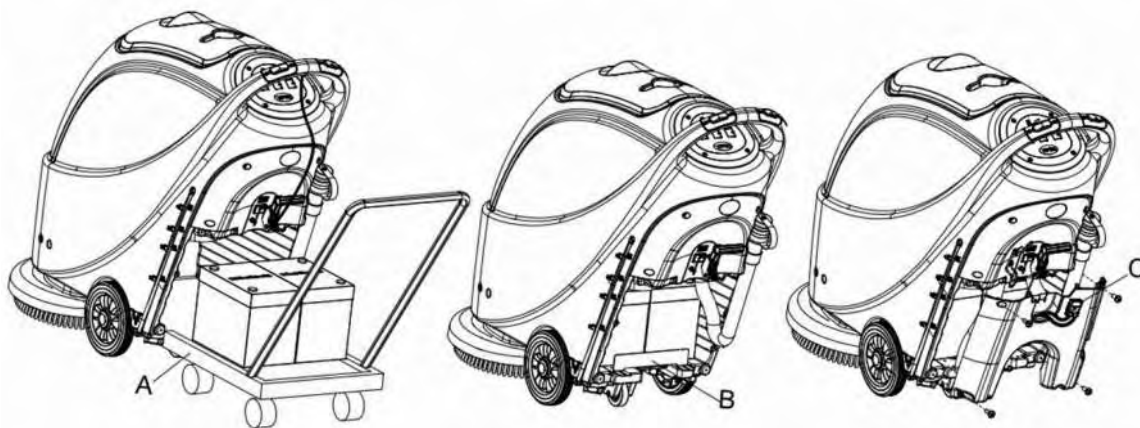
Podle různých rozměrů baterií jsou požadavky na výběr pevných baterií následující:

- Pro baterii o délce méně než 270 mm použijte 2 kusy fixační desky (**B, Obrázek 6**) a umístěte je vedle sebe uvnitř baterie nádrže na vodu;
- Pro baterii o délce mezi 310 mm - 270 mm použijte 1 kus fixační desky (**B, Obrázek 6**) a umístěte ji do baterie nádrže na vodu;
- Pro baterii o délce mezi 330 mm - 310 mm není potřeba žádná fixační deska.



Obrázek 6

- Nainstalujte baterii s pomocí speciálně vyrobených náčiní pro montáž baterie (**A, Obrázek 7**). Jakmile je baterie nainstalována, vyjměte náčiní pro montáž baterie a nainstalujte fixační držák baterie (**B, Obrázek 7**).



Obrázek 7

15. Vložte konektor baterie (C, **Obrázek 7**) do otvoru na horní straně krytu skříňky baterie, prostrčte odtokovou hadici skrz pravý otvor krytu skříňky baterie, upevněte kryt skříňky baterie 4 šrouby a poté postupně namontujte kabel sací trysky, odtokovou hadici a sací trysku.

Nabíjení baterie

16. Pro nabití baterie (viz postup uvedený v kapitole Údržba).

PŘED UVEDENÍM PŘÍSTROJE DO PROVOZU

MONTÁŽ DRŽÁKU KARTÁČE/PODLOŽKY



POZNÁMKA

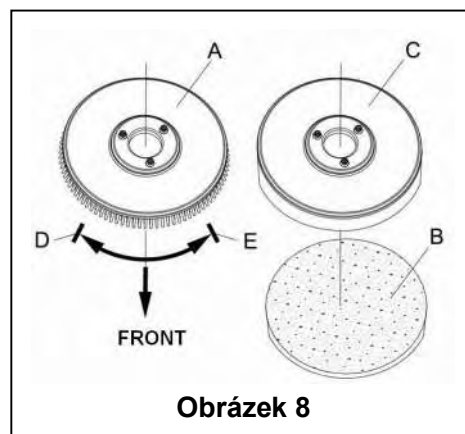
V závislosti na typu podlahy, která se má čistit, může být na přístroj namontován držák kartáče (obr. 8, A), nebo podložky (obr. 8, B a C).



POZOR !

Při ruční montáži nebo vyklopení držáku kartáče/podložky nejprve zkontrolujte, zda jsou všechny spínače vypnuté, tj. v pozici "off" a zvedněte sací trysku od podlahy, teprve poté může držák kartáče či podložky pracovat. Abyste předešli poraněním o ostré části, použijte ochranné rukavice.

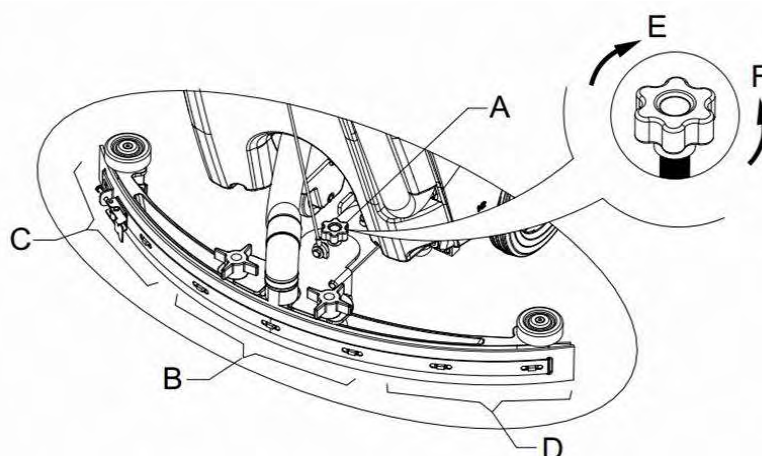
1. (Platí pouze pro modely **AS430B** a **AS510B**): ujistěte se, že je spínač (41) vypnutý, tj. v pozici (O).
2. Pro zvednutí těla nádrže (26) zatlačte směrem dolů na řídítka (2).
3. Nasadte držák kartáče (A) nebo podložky (B - C) pod skříňku.
4. Pro spuštění těla nádrže (26) a jeho kontakt s držákem kartáče či podložky použijte řídítka (2).
5. Chcete-li namontovat držák kartáče/podložky automaticky, přepněte hlavní spínač (41) do pozice "I" a stiskněte bezpečnostní spínač (1). Jemně postrčte přístroj dopředu, aby se kolo řemenice ve spodní části těla nádrže srovnalo s držákem kartáče či podložky, který pak může být namontován. Poté uvolněte bezpečnostní spínač. Je-li to nutné, opakujte tento postup, dokud není držák kartáče/podložky namontován.
6. Je-li obtížné krok 5 provést, použijte k montáži držáku kartáče/podložky (jak je ukázáno na **Obrázek 8**) ruční metodu, postupujte podle šipky (D).
7. Pro automatické uvolnění držáku kartáče/podložky přepněte hlavní spínač (41) do pozice "O". Uchopte rukou řídítka a stlačte přístroj dolů, až se vodící kolo spustí na podlahu a držák kartáče/podložky bude viset nad zemí. Přepněte hlavní spínač (41) do pozice "I" a stlačte bezpečnostní spínač, aby se držák kartáče/podložky mohl otočit a spustit na podlahu.
8. Pokud je krok 7 obtížné provést, použijte ruční metodu, otočte držák kartáče/podložky v opačném směru do normálního směru otáčení, až ho půjde sejmut. (jak je znázorněno na **Obrázek 8**)



Obrázek 8

NASTAVENÍ VYVÁŽENÍ SACÍ TRYSKY

9. Namontujte sací trysku a otočením úchytu ji upevněte. Pak k sací trysce připojte sací trubici na odpad.
10. Upravením úchytu (A) sací trysky nastavte sací trysku (viz **Obrázek 9**).
 - 1) Je-li mezi střední částí zadní lišty sací trysky, sekce B, a podlahou mezera nebo je-li tlak směrem dolů relativně mírný, nastavte úchyt proti směru hodinových ručiček, až se zadní lišta sací trysky po celé délce dotkne podlahy. Přední lišta sací trysky by se měla lehce dotýkat podlahy.
 - 2) Je-li mezi oběma konci zadní lišty sací trysky, sekce C a D, a podlahou mezera nebo je-li tlak směrem dolů relativně mírný, nastavte úchyt ve směru hodinových ručiček, až se zadní lišta sací trysky po celé délce dotkne podlahy. Přední lišta sací trysky by se měla lehce dotýkat podlahy.



Obrázek 9

Plnění nádrže čisticího prostředku



POZOR !

Smí být použity pouze nízce pěnicí a nehořlavé čisticí prostředky. Tyto prostředky musí být vhodné pro mycí stroje.

11. Otevřete kryt nalévacího otvoru (27) a do nádrže čisticího prostředku přidejte vodu. Nádrž nepřepĺňujte. Stačí naplnit po okraj držáku filtru nalévacího otvoru. Při přípravě čisticích roztoků prosím postupujte podle instrukcí ředění uvedených výrobcem a teplota vody nesmí překročit 40 °C.

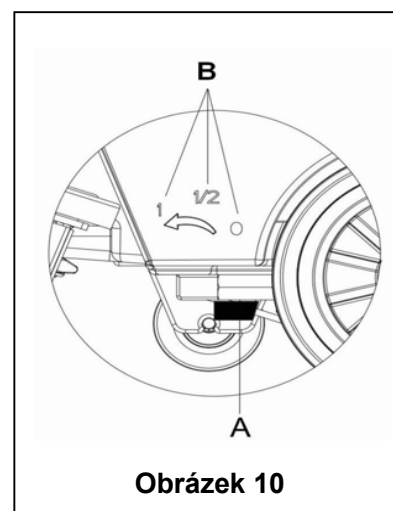
REGULACE TOKU VODY



VAROVÁNÍ !

Regulace úchytu kulového uzávěru (A, Obrázek 10) musí být provedena, pouze pokud je hlavní spínač (41) v pozici "O".

12. Tok vody lze nastavit pomocí úchytu kulového uzávěru (A, Obrázek 10) podle množství vody nezbytné pro čištění podlahy.



Obrázek 10

SPUŠTĚNÍ A ZASTAVENÍ PŘÍSTROJE

Spuštění přístroje

1. Proveďte přípravné kroky podle výše uvedeného.
2. Přepněte hlavní spínač (41) do pozice "I".
3. Pomocí úchytu sací trysky (41) spusťte sací trysku na podlahu.
4. Přepněte spínač čerpadla (42) do pozice "I".
5. Přepněte spínač toku vody (44) do pozice "I". (Pro ovládání práce elektromagnetického ventilu pracujte současně s bezpečnostním spínačem (1).

6. Držte bezpečnostní spínač (1) a postrčte přístroj kupředu. Kartáč (29) se začne otáčet, a přístroj začne čistit podlahu.



DOPORUČENÍ : Způsob tlačení přístroje

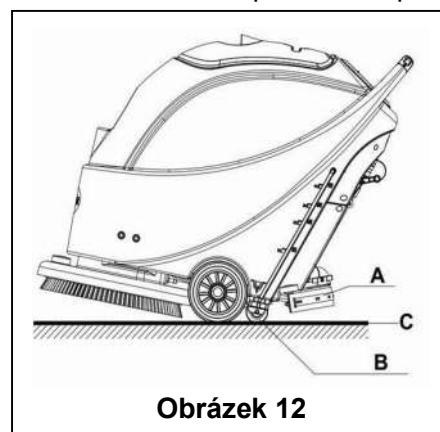
Jednou z vlastností tohoto přístroje je použití dvou bezpečnostních spínačů na obou stranách řídicího panelu. Každý bezpečnostní spínač je schopen nezávisle ovládat provoz kartáče. Při použití usnadňuje řízení provozu přístroje. Podle zkušeností je metoda pohybu přístroje zobrazená na Obrázek 11 vpravo mnohem vhodnější, pro ruce je mnohem pohodlnější a snižuje to pracovní únavu. Je tedy doporučeno pohybovat přístrojem tímto způsobem.



Obrázek 11

Vypnutí přístroje

7. Po použití přístroje nejprve vyklopte držák kartáče/podložky (viz postup v sekci týkající se montáže držáku kartáče/podložky a jeho vyklopení)
8. Pro vypnutí držáku kartáče/podložky a elektromagnetického ventilu uvolněte bezpečnostní spínač (1).
9. Přepněte spínač čerpadla (42) do pozice "O" a čerpadlo se před zastavením práce zpozdí o 5 vteřin.
10. Pro úplné vypnutí elektromagnetického ventilu přepněte spínač toku vody (44) do pozice "O".
11. Přepněte hlavní spínač (41) do pozice "O".
12. Pomocí úchytu pro zvednutí sací trysky (14) zvedněte sací trysku.
13. Uchopte říditka (2) a opatrně nakloňte přístroj dozadu, až se vodící kolečko (B) bude dotýkat podlahy. Viz obrázek 12.



Obrázek 12

OBSLUHA PŘÍSTROJE (ČIŠTĚNÍ A VYSOUŠENÍ)

1. Spust'te přístroj podle výše uvedeného popisu.
2. Držte bezpečnostní spínač (1) (viz Obrázek 11), zatlačením uveďte přístroj do pohybu a začněte s čištěním.
3. Pokud je to nutné, vypněte přístroj a nastavte regulační úchyt sací trysky. (Viz postup pro nastavení vyvážení sací trysky)
4. V případě nutnosti přístroj vypněte a nastavte objem toku vody pomocí úchytu kulového uzávěru. (Viz postup nastavení toku vody.)



POZOR !

Aby nedošlo k poškození podlahy, když přístroj stojí na jednom místě v nečinnosti, vypněte hlavní spínač (41).

Vybití baterie během provozu

5. Stav baterie je dostačující pro běžný provoz přístroje, pokud zelená kontrolka (38) neustále svítí.



POZNÁMKA

Pokud svítí všechny čtyři zelené kontrolky (38), baterie je plně nabitá. Pokud svítí pouze poslední zelená kontrolka (38), a začne blikat, je třeba baterii nabít a přístroj se po pár minutách automaticky zastaví. Až poslední zelená kontrolka (38) zhasne a červená kontrolka (39 a 40) začne blikat, přístroj se po několika vteřinách automaticky zastaví. (Viz postup v kapitole Údržba).



POZOR !

Nepoužívejte přístroj, pokud baterie není dostatečně nabitá, aby nedošlo k poškození baterie a zkrácení životnosti baterie.

VYPRÁZDNĚNÍ NÁDRŽE

Když je nádrž na obnovu vody plná, plovák v plovákovém zařízení pro automatické vypnutí (36) zablokuje přívod, který je napojený na čerpadlo. Při zvýšeném hluku čerpadla může jít o přetížení čerpadla a je třeba ihned vypustit špinavou vodu.



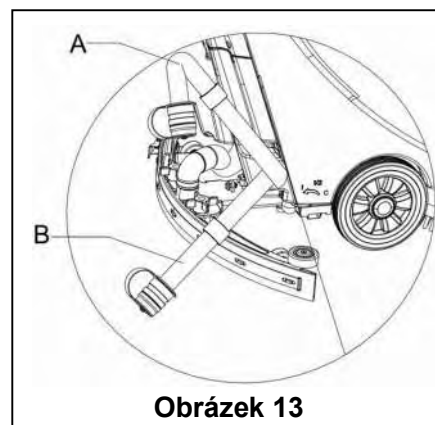
POZOR !

Pokud se čerpadlo najednou vypne (např. proto, že je přístroj náhle přemístěn, čímž se aktivuje plovák) a pokud je třeba operaci obnovit, proveďte následující kroky: pro vypnutí napájení a čerpadla stiskněte hlavní spínač (41 a 42) a otevřete kryt nádrže na obnovu vody (25) a zkontrolujte, zda se plovák v plovákovém filtru vrátil na hladinu vody. Pak zavřete kryt nádrže na obnovu vody (25), stiskněte hlavní spínač (41 a 42) a zapněte napájení a čerpadlo.

Když je nádrž na obnovu vody zcela plná špinavé vody, pro její vyprázdnění postupujte podle následujících kroků.

Vyprázdnění nádrže na obnovu vody

1. Vypněte přístroj.
2. Úchytem pro zvednutí sací trysky (14) zvedněte sací trysku.
3. Přesuňte přístroj na místo určené pro vyprázdnění nádrže.
4. Uchopte říditka (2) a opatrně nakloňte přístroj dozadu, až se vodící kolečko bude dotýkat podlahy. (Postupy pro ukotvení přístroje naleznete v oddíle pro zastavení přístroje.)
5. Sejměte odtokovou hadici z držáku, ohněte horní konec odtokové hadice (jak je uvedeno v **A, Obrázek 13**), a poté otevřete kryt odtokové hadice, pro vypuštění vody spusťte odtokovou hadici níže nebo na zem. Nebo můžete odtokovou hadici přímo spustit níže nebo na zem, aby výpust vody směřovala dolů (jak je uvedeno v **B, Obrázek 13**), a potom otočením otevřete víko pro odtok vody, aby se mohla voda z nádrže vypustit. Po vyprázdnění nádrže vnitřek nádrže na obnovu vody vymyjte čistou vodou.



Obrázek 13

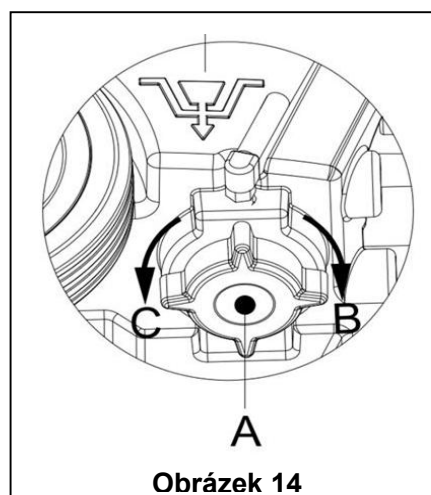


POZOR !

Při vypouštění špinavé vody musí být sací trubice na odpad složená nebo spuštěná níže (jak je znázorněno na obr. 13 A nebo B), a poté otevřete víko sací trubice na odpad, aby se mohla špinavá voda vypustit. Výpust sací trubice na odpad nesmí při odtoku vody směřovat nahoru, vodu nelze vypustit vertikálně. Předejdete tak rozlití špinavé vody a zašpinění se.

Vyprázdnění nádrže čisticího prostředku

6. Proveďte kroky 1 - 4.
7. Jak je znázorněno na **Obrázek 14**, otočením otevřete víčko nádrže čisticího prostředku (A) proti směru hodinových ručiček ve směru C a celou nádrž čisticího prostředku vyprázdňte. Vnitřek nádrže čisticího prostředku vymyjte čistou vodou. Po dokončení pevně otočte víčko nádrže čisticího prostředku (A) ve směru hodinových ručiček ve směru B.



Obrázek 14

PO POUŽITÍ PŘÍSTROJE

Po skončení práce a před uskladněním přístroje proveďte následující kroky:

1. Postupujte tak, jak je popsáno ve výše uvedené části o montáži a vyklopení držáku kartáče/podložky a sejměte držák kartáče/podložky.
2. Vyprázdňte vodu z nádrže čisticího prostředku a nádrže na obnovu vody podle postupů popsaných v příslušných částech.
3. Proveďte postup pro denní údržbu (viz oddíl Údržba).
4. Přístroj včetně držáku kartáče/podložky a sací trysky skladujte na čistém a suchém místě. Sací tryska by měla být zvednutá nebo sejmutá.

PŘI NEPOUŽÍVÁNÍ PŘÍSTROJE NA DELŠÍ DOBU

Pokud přístroj nebudete používat po dobu delší než 30 dní, proveďte prosím následující:

1. Po použití přístroje proveďte potřebné úkony.
2. Odpojte konektor (9) spojující baterii a přístroj.
3. Aby nedošlo k poškození baterie, a pokud se přístroj nebude používat po dobu delší než 3 měsíce, jednou za 3 měsíce baterii nabijte.

PRVNÍ POUŽITÍ

Po použití během prvních 9 hodin zkontrolujte všechny části, že během provozu nedošlo k uvolnění či poškození a zkontrolujte, zda nejsou tyto části viditelně poškozeny či zda nedošlo k poruše těsnění.

ÚDRŽBA A PÉČE

Životnost a maximální provozní bezpečnost přístroje zajistíte řádnou a včasnou údržbou a péčí. Následující tabulka obsahuje obecný plán údržby přístroje. Časové intervaly údržby jsou do značné míry určeny pracovními podmínkami přístroje. Tyto časové intervaly by měly formulovat pracovníci odpovědní za údržbu.



VAROVÁNÍ !

Tyto úkony by se měly provádět pouze tehdy, když je přístroj vypnutý a baterie je od přístroje odpojena. Před prováděním úkonů údržby si prosím pečlivě přečtěte související oddíly týkající se bezpečnosti.

Všechny plánované nebo výjimečné úkony údržby musí být prováděny kvalifikovaným personálem nebo autorizovaným servisním střediskem.

Tento návod popisuje pouze snazší a nejběžnější úkony údržby.

Pro ostatní úkony údržby neuvedené v této tabulce plánované údržby se poraďte se servisním střediskem.

TABULKA PLÁNOVANÉ ÚDRŽBY

Úkon	Každý den, po použití přístroje	Každý týden	Každých 6 měsíců	Každý rok
Nabití baterie				
Čištění sací trysky				
Čištění držáku kartáče/podložky				
Čištění nádrže na čistou vodu a plovákového filtru, kontrola těsnění nádrže na čistou vodu				
Kontrola a výměna lišty sací trysky				
Čištění filtru nádrže čisticího prostředku				
Čištění filtru čerpadla				
Kontrola hladiny kapaliny KAPALNÉ baterie				
Kontrola dotažení matic a šroubů			(1)	
Kontrola nebo výměna motorového uhlíkového držáku kartáče/podložky				(2)
Kontrola nebo výměna uhlíkového kartáče čerpadla				(2)

(1) Tento úkon údržby by se měl provádět po 9 hodinách obsluhy přístroje.

(2) Tyto úkony údržby musí být provedeny v autorizovaném servisním středisku společnosti VIPER.

NABÍJENÍ BATERIÍ



POZNÁMKA

Nabíjete baterii, pokud svítí žlutá nebo červená kontrolka nebo na konci každého pracovního cyklu.



POZOR !

Udržováním plně nabité baterie prodloužíte její životnost.



POZOR !

Jakmile je stav nabití baterie nedostatečný, je třeba baterii co nejdříve nabít. Zkontrolujte nabíječku alespoň jednou týdně.



POZOR !

Pokud přístroj není vybaven palubní nabíječkou, zvolte externí nabíječku vhodnou pro daný typ baterie.



VAROVÁNÍ !

Při nabíjení baterie buďte opatrní, mohlo by dojít k úniku elektrolytu z baterií. Elektrolyt baterie je korozivní. Pokud přijde do kontaktu s kůží nebo očima, důkladně je vypláchněte vodou a zkontaktujte lékaře.

- Otevřete víko nádrže na obnovu vody (25) a zkontrolujte, zda je nádrž prázdná. Pokud není prázdná, vyprázdněte ji odtokovou hadicí (15).
- Přesuňte přístroj na místo určené k nabíjení baterie.
- Pro vypnutí přístroje přepněte hlavní spínač (41) do pozice "O".
- Platí pouze pro KAPALNÉ doplňovací baterie
 - Zkontrolujte hladinu elektrolytu v baterii. Je-li to nutné, doplňte ji skrz víčko.
 - Nechte všechna víčka otevřená.
 - Je-li to nutné, vyčistěte horní povrch baterie.
- Pro nabití baterie zvolte jeden z následujících postupů v závislosti na typu používané baterie.

Nabíjení baterie s externí nabíječkou

- Podle souvisejícího návodu zkontrolujte, zda je externí nabíječka vhodná. Výstupní napětí musí být DC 24 V.
- Připojte konektor baterie k externímu konektoru a připojte externí konektor k síti.
- Po nabití baterie připojte napájecí konektor baterie k přístroji.

Nabíjení baterie s palubní nabíječkou (volitelné)

- Sejměte gumové víčko na konci napájecího konektoru baterie.
- Pomocí napájecího kabelu připojte konec napájecího konektoru baterie k síti. (Zkontrolujte, zda je vstupní napětí palubní nabíječky 220 V - 240 V a zda výstupní napětí 24 V a kmitočet splňují požadavky.) Po připojení nabíječky k síti budou všechny ostatní funkce automaticky přerušeny. Pokud červená kontrolka na palubní nabíječce stále svítí, nabíječka nabíjí baterii.
- Pokud zelená kontrolka (47) stále svítí, baterie je nabitá.
- Po nabití baterie odpojte napájecí kabel od konce napájecího konektoru baterie a zdroje napájení a nasadte gumové víčko.
- Odpojte napájecí kabel ze zdroje napájení a namotejte ho na cívku (6).



POZNÁMKA

Pro více informací o palubní nabíječce (35) si přečtěte související návod.

ČIŠTĚNÍ SACÍ TRYSKY



POZNÁMKA

Pro optimální funkci sání je třeba sací trysku čistit a lištu sací trysky je třeba udržovat v dobrém stavu.



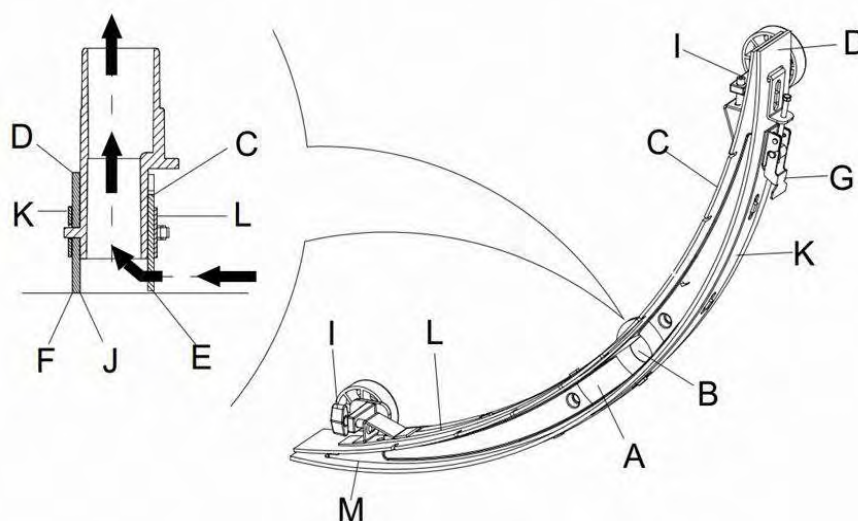
POZOR !

Při čištění sací trysky se doporučuje nosit ochranné rukavice, protože byste se mohli pořezat o ostré hrany.

1. Přesuňte přístroj na rovný a hladký povrch.
2. Pro vypnutí přístroje přepněte hlavní spínač (41) do pozice "O".
3. Vyšroubujte pevný úchyt (16) sací trysky; sundejte konektor spojující sací trubici trysky a sundejte sací trysku.
4. Pomocí úchytu pro zvednutí sací trysky (14) zvedněte sací trysku.
5. Vyčistěte sací trysku (**Obrázek 15**). Vyčistěte zejména drážku (**A, Obrázek 15**), a nečistoty na sací trubici. Zkontrolujte, zda nejsou přední chlopeč sací trysky (C) a zadní chlopeč sací trysky (D) poškozené a zda nemají narušené hrany. Případně je vyměňte (viz postup v následující části).
6. Znovu namontujte sací trysku v opačném pořadí, jak je uvedeno výše.

KONTROLA A VÝMĚNA LISTU STĚRKY

1. Vyčistěte sací trysku podle postupu popsáno v předchozí části (**Obrázek 15**).
2. Zkontrolujte hranu (**E, Obrázek 15**) přední chlopeč sací trysky a hranu (F) zadní chlopeč sací trysky (D). Měly by být po celé délce na stejné úrovni. Případně upravte jejich výšku podle následujícího postupu.
 - Pro nastavení polohy sací trysky uvolněte svorku (G), aby se uvolnila zadní chlopeč sací trysky (D) od držáku (M). Po nastavení svorku znovu uzavřete.
 - Povolte šroub na úchytu (I) pro nastavení přední chlopeč sací trysky (C); poté utáhněte šroub na úchytu.
3. Zkontrolujte, zda nejsou přední chlopeč sací trysky (C) a zadní chlopeč sací trysky (D) poškozené a zda nemají narušené hrany. V případě nutnosti je vyměňte podle následujícího postupu. Zkontrolujte, zda není přední hrana zadní chlopeč sací trysky (J) opotřebovaná. Pokud je opotřebovaná, lze ji namontovat obráceně (horní hrana musí být netknutá). Je-li horní hrana také opotřebovaná, vyměňte ji podle následujícího postupu:
 - Uvolněte svorku (G), aby se uvolnila chlopeč od držáku (M), sundejte zástrčku svorku (K), a poté vyměňte nebo otočte zadní chlopeč sací trysky (D) vzhůru nohama. Znovu namontujte zadní chlopeč sací trysky podle postupu pro demontáž, ale kroky provádějte v opačném pořadí.
 - Uvolněte šroub na úchytu (I) a sundejte zástrčku přední svorky (L), a poté vyměňte přední sací trysku (C).
Znovu namontujte přední chlopeč sací trysky podle postupu pro demontáž, ale kroky provádějte v opačném pořadí.
Po výměně chlopeč sací trysky (nebo montáži do obrácené polohy), nastavte úroveň přední a zadní chlopeč sací trysky podle výše uvedených postupů.
4. Připojte sací trubici (11) k sací trysce.
5. Namontujte sací trysku a utáhněte ji knoflíkem (16) a pak k sací trysce připojte sací trubici.
6. V případě potřeby sací trysku upravte pomocí regulačního kolečka (20) (viz postupy pro nastavení vyvážení sací trysky).



Obrázek 15

ČIŠTĚNÍ KARTÁČE/LEŠTICÍ PODLOŽKY

**POZOR !**

Při čištění držáku kartáče/podložky se doporučuje nosit ochranné rukavice, protože byste se mohli pořezat o ostré hrany.

1. Sejměte držák kartáče/podložky, jak je uvedeno v předchozích oddílech.
2. Vyčistěte držák kartáče/podložky vodou a čisticím prostředkem.
3. Zkontrolujte, zda není kartáč porušen či opotřebován a v případě potřeby kartáč vyměňte.
4. Zkontrolujte, zda není držák podložky opotřebován a v případě potřeby ho vyměňte.

ČIŠTĚNÍ MŘÍŽKY NÁDRŽE A MŘÍŽKY FILTRU S PLOVÁKEM

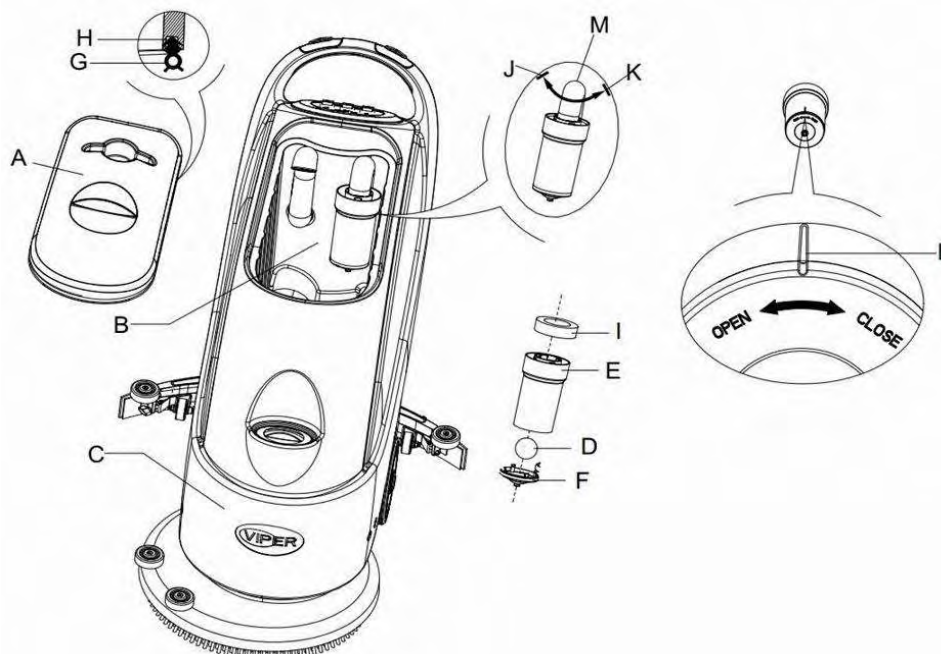
1. Přesuňte přístroj na místo určené k čištění.
2. Pro vypnutí přístroje přepněte hlavní spínač (41) do pozice "O".
3. Otevřete víko nádrže na obnovu vody (A, obrázek 16) a vyndejte zařízení s plovákem (36) z nádrže na obnovu vody.
4. Vyčistěte víko nádrže na obnovu vody (A), nádrž (B a C) a podpěru plovákového filtru (E) čistou vodou. Pomocí hadice (15) vypusťte z nádrže na vodu veškerou vodu.
5. Je-li to nutné, podle symbolů "Open" (Otevřít) a "Close" (Zavřít), jak je znázorněno na **Obrázek 16**, otevřete spodní víko (f) plovákového filtru a vyčistěte plovák (D), podpěru plovákového filtru (E), a houbu filtru (I). Po vyčištění upevněte plovák na podpěru plovákového filtru (E) a srovnejte značku na drážce (L) spodního víka (F) plovákového filtru se značkou na drážce (L) podpěry plovákového filtru (E). Pevně otočte spodní víko (F) plovákového filtru a upevněte houbu filtru (I) na podpěru plovákového filtru (E), a pak na sací trubici (M).
6. Zkontrolujte utěsnění těsnicího kroužku (G) na víku nádrže na vodu.

**POZNÁMKA**

Těsnicí pásek (G) nádrže na vodu vytvoří v nádrži vakuum. Musí být zcela uzavřená, aby bylo možné efektivně vysát špinavou vodu z podlahy.

Pokud je to nutné, můžete těsnicí pásek z nádrže na vodu (G) vyjmout z drážky (H), a vyměnit ho. Při montáži nového těsnicího pásku nádrže na vodu, jak je znázorněno na obrázku 16 níže, nainstalujte konektor do středu zadní části.

7. Zkontrolujte, zda je povrch těsnicího pásku (G) neporušený a zda náležitě těsní.
8. Zavřete víko nádrže na obnovu vody (A).



Obrázek 16

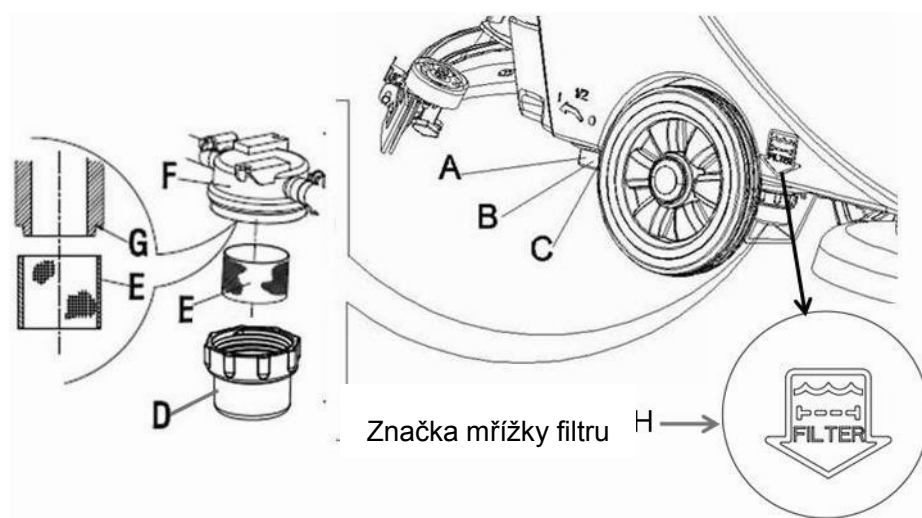
ČIŠTĚNÍ FILTRU NÁDRŽE ČISTICÍHO PROSTŘEDKU

1. Odčerpajte veškerou vodu z nádrže čisticího prostředku tak, jak je uvedeno v souvisejících oddílech.
2. Přesuňte přístroj na rovný a hladký povrch.
3. Pro vypnutí přístroje přepněte hlavní spínač (41) do pozice "O".
4. Vypněte odtokový kulový uzávěr (A, **Obrázek 17**), (nachází se v dolní části přístroje, za kolečky). Kulový uzávěr B otevřete a kulový uzávěr C zavřete.
5. Sejměte průhledné víko (D), a pak vyjměte filtr (E), a po čištění je namontujte na skříňku filtru (F).

**POZNÁMKA**

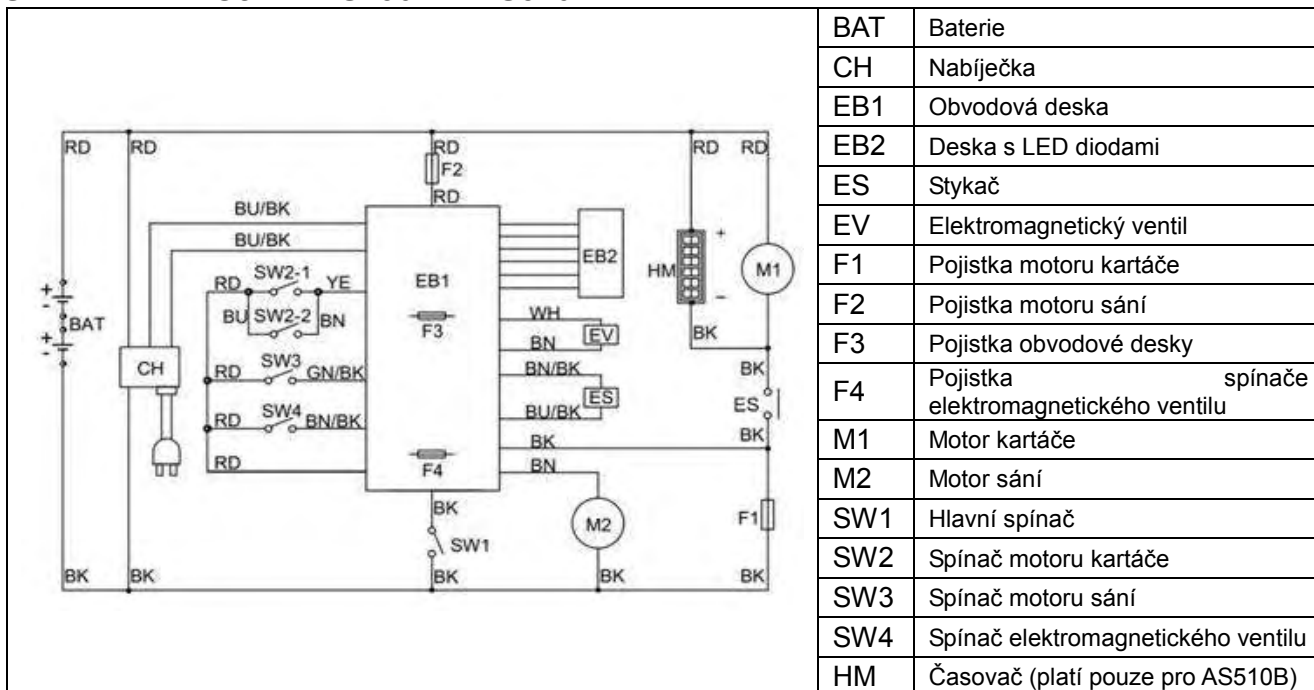
Filtr (E) musí být přesně namontován na pozici výstupku (G).

6. Otevřete odtokový kulový uzávěr (A).



Obrázek 17

SCHÉMA ZAPOJENÍ AS430B A AS510B



KÓDY BAREV

RD=červená	BN=hnědá	BU/BK=modrá/černá
BU=modrá	YE=žlutá	GN/BK=zelená/černá
BK=černá	WH=bílá	BN/BK=hnědá/černá

ŘEŠENÍ POTÍŽÍ

Porucha	Možné příčiny	Řešení
Přístroj nefunguje: Světelná kontrolka nesvítí	Konektor baterie (9) není připojen.	Připojte konektor baterie
	Baterie je vybitá	Nabijte baterii
Kontrolka (39 a 40) bliká	Motor kartáče je přetížený	Vyměňte kartáč za měkký kartáč vzhledem k charakteru čištěné podlahy
	Jiné nečistoty blokují rotaci kartáče	Vyčistěte kartáč
Kartáč nefunguje	Vypnutí pojistky kartáče	Obnovení/reset
	Řemen prokluzuje	Zkontrolujte řemen, upravte napínání
Motor sání nefunguje	Vypnutí pojistky sání	Obnovení/reset
Špatný sací výkon	Nádrž na špinavou vodu je plná.	Vyprázdněte nádrž na vodu
	Sací trubice na odpad a sací tryska nejsou správně připojeny	Připojte sací trubici na odpad a sací trysku
	Plovákový filtr nebo přívod je ucpaný	Vyčistěte plovákový filtr, zkontrolujte plovák
	Sací tryska je špinavá nebo je chlopeň sací trysky opotřebovaná či poškozená	Vyčistěte a zkontrolujte sací trysku
	Víko nádrže na obnovu vody není řádně uzavřené, nebo je těsnicí pásek nádrže na vodu poškozen	Zavřete lépe víko, nebo vyměňte těsnicí pásek
Špatný přísun vody do kartáče	Filtr je špinavý.	Vyčistěte filtr
Po sací trysce zůstávají na podlaze stopy	Chlopně sací trysky jsou zanesené	Odstraňte znečištění
	Chlopně sací trysky jsou opotřebované nebo poškozené.	Vyměňte chlopně sací trysky
	Sací tryska není vyvážená	Nastavte vyvážení

**POZNÁMKA**

Pokud je přístroj vybaven palubní nabíječkou, a pokud má nabíječka závadu, přístroj nelze provozovat.

Pokud má palubní nabíječka závadu, obraťte se na autorizované servisní středisko. Podrobnější informace naleznete v návodu na údržbu (k dispozici v každém servisním středisku společnosti VIPER).

LIKVIDACE PŘÍSTROJE

K likvidaci tohoto přístroje použijte kvalifikovaný drticí stroj.

Před likvidací tohoto přístroje vyjměte a oddělte následující materiály, které musí být řádně recyklovány podle souvisejících zákonů a předpisů.

- Baterie
- Držák kartáče/podložky
- Plastové hadice a plastové součásti
- Elektrické a elektronické součásti (*)

(*): Prosím kontaktujte nejbližší středisko společnosti VIPER (zejména při likvidaci elektrických a elektronických součástí).

SPIS TREŚCI

WPROWADZENIE	185
TREŚĆ INSTRUKCJI.....	185
CEL.....	185
CZĘŚCI ZAMIENNE I KONSERWACJE	185
ZMIANY I MODERNIZACJE	185
ZASTOSOWANIE	185
ODPAKOWANIE/TRANSPORT	185
OGÓLNE WSKAZÓWKI BEZPIECZEŃSTWA.....	186
DANE TECHNICZNE	187
OPIS MASZYNY	187
BUDOWA URZĄDZENIA	187
PANEL STEROWANIA.....	188
OKIENKO LAMPKEK WSKAŹNIKOWYCH STANU NAŁADOWANIA AKUMULATORA.....	189
SPOSÓB UŻYTKOWANIA	189
ZAŁOŻENIE I USTAWIENIE AKUMULATORÓW W NOWYM URZĄDZENIU.....	189
ZAKŁADANIE I USTAWIENIE TYPU AKUMULATORA (KWASOWE LUB ŻELOWE/AGM)	190
PRZED URUCHOMIENIEM URZĄDZENIA	191
MONTAŻ I ZDEJMOWANIE SZCZOTKI / UCHWYTU PŁYTY	191
POZIOMOWANIE ŚCIĄGACZKI	192
REGULACJA PRZEPŁYWU WODY	192
URUCHAMIANIE I ZATRZYMYWANIE URZĄDZENIA.....	193
EKSPLOATACJA URZĄDZENIA (SZCZOTKOWANIE I SUSZENIE)	193
OPRÓŻNIANIE ZBIORNIKA.....	194
NA ZAKOŃCZENIE PRACY Z URZĄDZENIEM	195
OKRESY BEZCZYNNOŚCI.....	195
PIERWSZE UŻYCIE	195
KONSERWACJA I PIELEGNACJA	195
HARMONOGRAM PRZEGLĄDÓW.....	195
ŁADOWANIE BATERII	196
CZYSZCZENIE SSAWY	196
KONTROLA I WYMIANA GUMYSSAWY.....	197
CZYSZCZENIE SZCZOTKI/TRZYMAKA PAD	198
CZYSZCZENIE ZBIORNIKA WODY I KRATKI FILTRA	198
CZYSZCZENIE FILTRA ROZTWORU MYJĄCEGO	199
OZNACZENIA W OBWODZIE ELEKTRYCZNYM DLA AS430B i AS510B	200
USUWANIE USTEREK.....	201
UTYLIZACJA URZĄDZENIA.....	201

WPROWADZENIE



INFORMACJA

Liczby w nawiasach odnoszą się do elementów pokazanych w rozdziale Opis maszyny.

TREŚĆ INSTRUKCJI

Celem niniejszej instrukcji jest przekazanie niezbędnych informacji potrzebnych do właściwego i bezpiecznego użytkowania urządzenia. Zawiera ona dane techniczne, zasady bezpieczeństwa, obsługi, konserwacji i utylizację urządzenia. Operator oraz technicy o stosownych kwalifikacjach muszą ją dokładnie przeczytać, zanim rozpoczną użytkowanie i konserwację urządzenia. W przypadku wątpliwości prosimy o kontakt z VIPER.

CEL

Instrukcja uczy operatorów i techników, jak mają obsługiwać to urządzenie.

Operatorowi nie wolno wykonywać czynności przewidzianych dla technika. VIPER nie odpowiada za szkody powstałe w wyniku takiego postępowania.

CZĘŚCI ZAMIENNE I KONSERWACJE

Czynności obsługowe, konserwacyjne i naprawy może prowadzić tylko wykwalifikowany personel albo serwisanci VIPER.

Należy używać tylko oryginalne części zamienne i akcesoria.

Kiedy potrzebny jest serwis lub nowe części zamienne albo akcesoria, prosimy o kontakt z VIPER oraz podanie numeru modelu urządzenia i numerów seryjnych.

ZMIANY I MODERNIZACJE

VIPER stale ulepsza swoje produkty. VIPER zastrzega sobie prawo do wprowadzania zmian i ulepszeń do urządzeń, jak również prawo do samodzielnego określenia, czy korzyści wynikające ze zmian dotyczą produktów już sprzedanych. Wszelkie zmiany lub dodatkowe akcesoria wymagają zatwierdzenia oraz wykonania przez firmę Viper.

ZASTOSOWANIE

Automat szorujący nadaje się do użytku domowego i przemysłowego, służy do czyszczenia gładkich i twardych podłóg (czyszczenie szczotką i zbieranie wody odpadowej). Musi ją użytkować wykwalifikowany operator, w bezpiecznym otoczeniu. Szczotki nie wolno używać na zewnątrz budynków, a także na dywanach i chropowatych podłogach.

ODPAKOWANIE/TRANSPORT

Przy odpakowywaniu, prosimy o przestrzeganie instrukcji umieszczonych na opakowaniu.

Po dotarciu maszyny na miejsce, sprawdzić czy opakowanie lub urządzenie nie uległy uszkodzeniu w czasie transportu. W razie stwierdzenia widocznego uszkodzenia, natychmiast poinformować przewoźnika i wypełnić razem z nim formularz z listą uszkodzeń, w celu uzyskania rekompensaty.

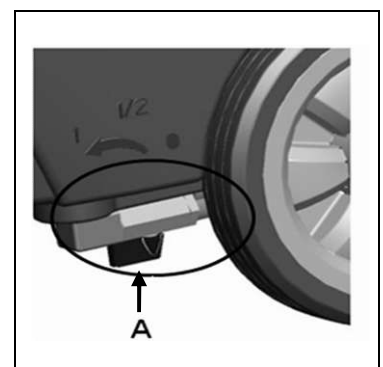


— UWAGA

Przy odpakowywaniu, rozładunku lub przenoszeniu urządzenia po schodach, uważać by nie uderzyć w regulator przepływu wody (A na rysunku po prawej).

Sprawdzić kompletność wyposażenia urządzenia:

1. Dokumentacja techniczna
 - Instrukcja obsługi szczotki
 - Instrukcja obsługi wbudowanej ładowarki (o ile jest)
2. złącze do ładowarki (jeśli nie ma wbudowanej, to znajduje się na określonej zewnętrznej ładowarce)



OGÓLNE WSKAZÓWKI BEZPIECZEŃSTWA

Poniżej podano specjalne ostrzeżenia i uwagi nt. potencjalnych zagrożeń (dla personelu i urządzenia):

**OSTRZEŻENIE!**

- Urządzenie musi być obsługiwane zgodnie z niniejszą instrukcją. Wolno stosować tylko akcesoria zatwierdzone przez VIPER.
- Urządzenie może użytkować tylko stosownie przeszkolony i upoważniony personel. Dzieciom ani innym nieodpowiednim osobom nie wolno używać tego urządzenia.
- W normalnych warunkach eksploatacji, z akumulatora wydziela się gaz palny. Akumulator trzymać z dala od przedmiotów promieniujących, świecących i palących się, oraz iskier. W trakcie pracy urządzenia, zapewnić dobrą wentylację oraz brak otwartego ognia w otoczeniu. Nie palić papierosów w pobliżu urządzenia, w trakcie jego ładowania.
- Przed przystąpieniem do konserwacji/napraw rozłączyć akumulator.
- Przed użyciem wbudowanej ładowarki, sprawdzić czy parametry częstotliwości i napięcia, wskazane na tabliczce znamionowej, są zgodne z parametrami źródła zasilania.
- W przypadku pracy w pobliżu części elektrycznych, nie nosić biżuterii. Należy przedsięwziąć wszelkie środki ostrożności by włosy, biżuteria ani luźne części odzieży nie zostały pochwycone przez ruchome części urządzenia.
- Nie używać urządzenia w szczególnie brudnych miejscach. Nie myć urządzenia bezpośrednio wodą. Chronić urządzenie przed kontaktem ze żrącymi płynami.
- Temperatura magazynowania i otoczenia pracy musi mieścić się w zakresie 0 - 40°C,
- a wilgotność powietrza - w zakresie 30% do 105%.
- Nie korzystać z urządzenia na powierzchni o pochyleniu większym niż 2%.
- W przypadku pożaru, stosować gaśnice proszkowe. Nie stosować gaśnic płynowych.
- Zachować szczególną ostrożność przy transporcie urządzenia w temperaturze poniżej 0°C. Woda w zbiorniku i węzłach może zamarznąć i poważnie szkodzić urządzeniu.
- Stosować szczotki i pady dostarczone z urządzeniem albo określone w instrukcji obsługi. Inne szczotki lub pady mogą obniżyć bezpieczeństwo.
- W przypadku usterki, najpierw sprawdzić czy nie jest to efekt zaniedbania konserwacji. Jeśli przyczyna jest inna, to trzeba wezwać upoważniony personel albo zawiadomić punkt serwisowy.
- Kiedy okaże się, że potrzebne są nowe części zamienne, sprowadzić oryginalne części od autoryzowanych agentów.
- Aby zapewnić bezpieczną i właściwą eksploatację urządzenia, prosimy umożliwić upoważnionemu personelowi wykonywanie planowych przeglądów, opisanych w stosownych rozdziałach instrukcji.
- Urządzenie musi być prawidłowo utylizowane, bo może zawierać toksyczne i niebezpieczne elementy (akumulatory, itp.), którymi muszą się zająć specjalistyczne firmy, zgodnie ze stosownymi przepisami (zob. rozdział o utylizacji).

DANE TECHNICZNE

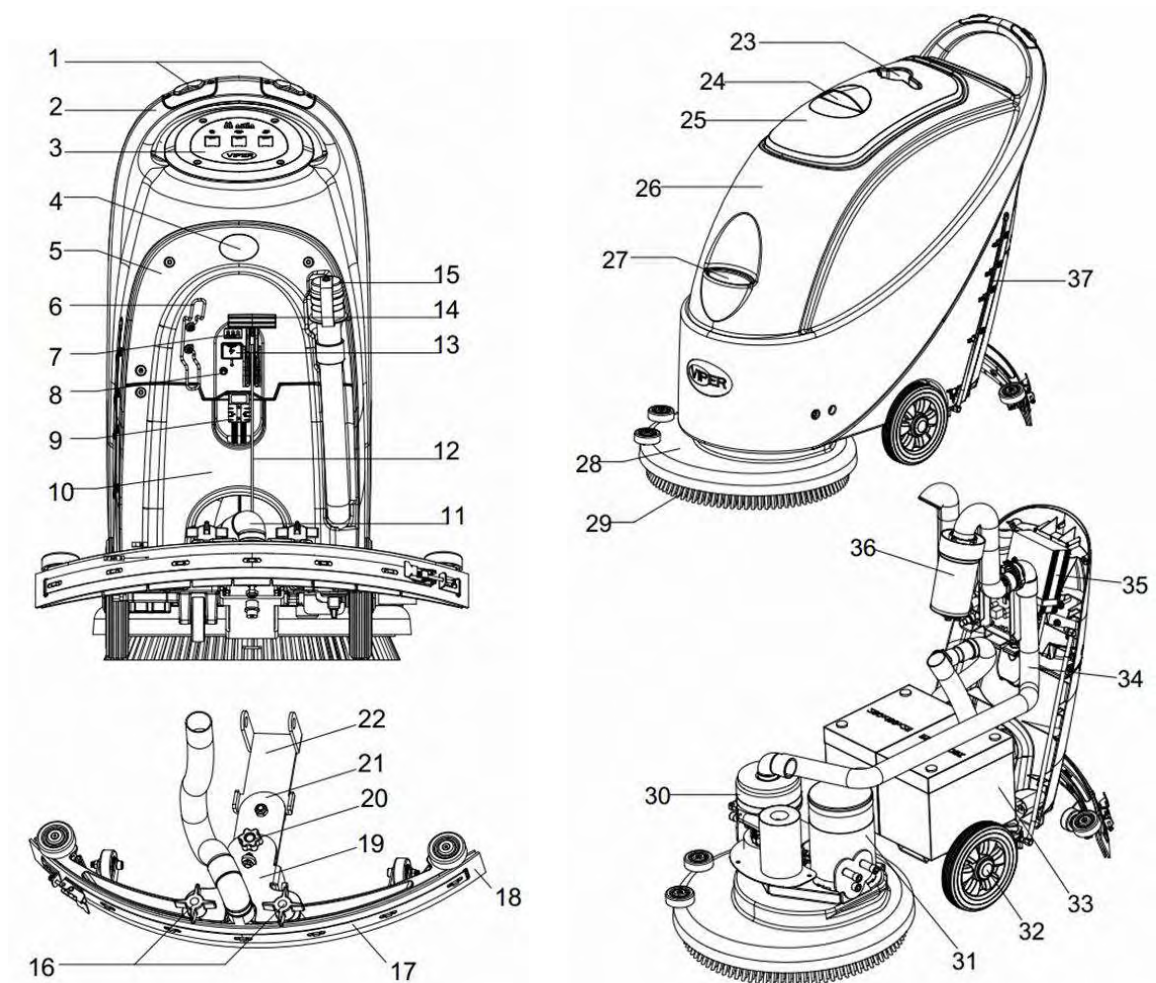
Model	AS430B	AS510B
Wysokość urządzenia	980mm	
Pojemność zbiornika na roztwór	40 litrów	
Pojemność zbiornika odzysku wody	40 litrów	
Średnica koła transportowego	200mm	
Średnica koła naprowadzającego	76mm	
Moc silnik odkurzacza	350W	
Maksymalne nachylenie w czasie pracy	2%(maks)	
Poziom hałasu na stanowisku pracy	70dB(A) ±3dB(A)	
Standardowe akumulatory	(2×12V) 24V 85Ah AGM	(2×12V) 24V 105Ah AGM
Wielkość przedziału z akumulatorami (szer x dł x wys)	340 x 330 x 260mm (maks)	
Wydajność zasysania	1200 mm H ₂ O	
Szerokość czyszczenia	430mm	510mm
Szerokość ściągaczki	730mm	790mm
Maksymalna długość maszyny	1 060mm	1 100mm
Szerokość maszyny bez ściągaczki	480mm	540mm
Średnica szczotki	430mm	510mm
Waga z akumulatorami i z pustymi zbiornikami	112kg	128kg
Ciężar brutto urządzenia gotowego do użycia	152kg	168kg
Moc silnika szczotki	550W	560W
Prędkość szczotki	150 rpm	
Maks. nacisk szczotki/uchwyty pada	Maks. 30kg	Maks. 35kg
Wielkość opakowania (długość x szerokość x wysokość)	1200 x 610 x 1 170mm	

OPIS MASZINY**BUDOWA URZĄDZENIA**

1. Wyłącznik bezpieczeństwa
2. Uchwyt operatora
3. Panel sterowania
4. Tabliczka znamionowa/dane techniczne / świadectwo zgodności
5. Osłona układu sterowania
6. Uchwyt do kabla (*)
7. Lampka wskaźnikowa ładowania baterii
8. Reset
9. Złącze akumulatora
10. Pokrywa akumulatora
11. Wąż ssący
12. Ciężno ściągaczki
13. Osłona złącza akumulatora
14. Rączka podnoszenia ściągaczki
15. Wąż spustowy
16. Nakrętka mocowania ściągaczki
17. Spinacz ściągaczki
18. Guma ściągaczki
19. Wsparcia ściągaczki
20. Pokrętło regulacji ściągaczki
21. Tylne ramy wsparcia ściągaczki
22. Przednie ramy wsparcia ściągaczki
23. Uchwyt zbiornika odzysku wody
24. Rączka pokrywy zbiornika odzysku wody
25. Pokrywa zbiornika odzysku wody
26. Korpus zbiornika
27. Osłona dopływu wody
28. Powierzchnia szczotki
29. Szczotka/uchwyty pada
30. Silnik ssący
31. Silnik szczotki
32. Koło 8"
33. Akumulator
34. Przewód odkurzacza
35. Ładowarka (*)
36. Filtr
37. Wodowskaz (pokazujący ilość wody w zbiorniku wody)

(*) Dotyczy już zainstalowanych urządzeń z zabudowanymi ładowarkami (opcja)

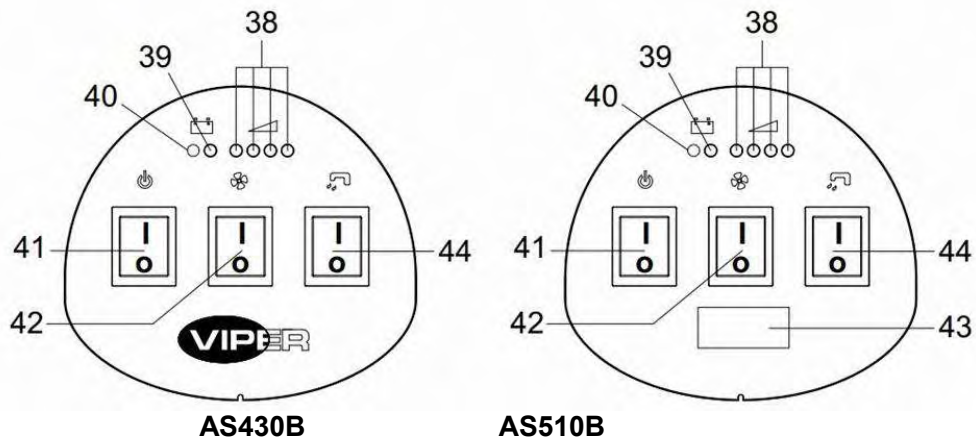
BUDOWA MASZYNY - OZNACZENIA LICZBOWE



Rys.1

PANEL STEROWANIA (Rys.2)

- 38. Lampka wskaźnikowa pełnego naładowania akumulatora (zielona)
- 39. Lampka wskaźnikowa wyczerpania akumulatora (czerwona)
- 40. Lampka wskaźnikowa wyczerpania akumulatora (czerwona)
- 41. Włącznik zasilania
- 42. Włącznik odkurzacza
- 43. Licznik godzin (opcja, służy do zapisu czasu pracy szczotki)
- 44. Włącznik (elektrozawór) wody

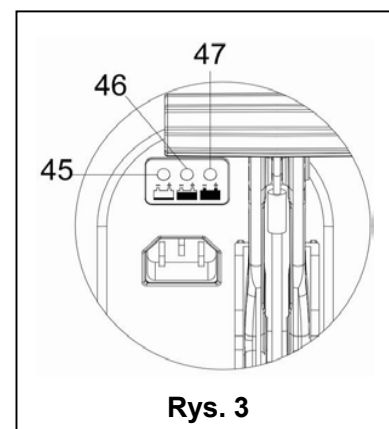


Rys. 2

OKIENKO LAMPEK WSKAŹNIKOWYCH STANU NAŁADOWANIA AKUMULATORA (Rys.3)

(opcja, dotyczy modeli z wbudowaną ładowarką)

- Po rozpoczęciu ładowania, kilka razy miga czerwona lampka wskaźnikowa (45), następnie świeci ciągle, co świadczy o wejściu w pierwszy etap ładowania;
- Po rozpoczęciu ładowania, kilka razy miga żółta lampka wskaźnikowa (46), następnie świeci ciągle, co świadczy o wejściu w pierwszy etap ładowania; wejście w drugi etap ładowania;
- Po ok. 10 godzinach ładowania, zgaśnie żółta lampka wskaźnikowa (46), a zielona (47) będzie stale się palić, co świadczy o zakończeniu ładowania.



Rys. 3



INFORMACJA

- jeśli w trakcie ładowania miga żółta lampka, to znaczy że ładowarka nie jest kompatybilna z akumulatorem, albo że są ze sobą nieprawidłowo połączone, lub że wystąpiło zwarcie na zacisku wyjściowym.
- jeśli miga czerwona lampka, to znaczy że wystąpiło zwarcie w ładowarce (zob. więcej informacji w instrukcji obsługi ładowarki).

SPOSÓB UŻYTKOWANIA



OSTRZEŻENIE

Na niektórych częściach urządzenia znajdują się naklejki wskazujące na:

- NIEBEZPIECZEŃSTWO
- OSTREŻENIE
- UWAGA
- INFORMACJA

W trakcie czytania instrukcji, operator winien zwracać szczególną uwagę na te symbole.

W żadnym wypadku nie wolno tych symboli zasłonić. Uszkodzone naklejki należy natychmiast wymienić.

ZAŁOŻENIE I USTAWIENIE AKUMULATORÓW W NOWYM URZĄDZENIU



OSTRZEŻENIE

Jeśli akumulator zostanie nieprawidłowo zainstalowany albo podłączony, to elementy elektryczne urządzenia mogą ulec poważnemu uszkodzeniu. Tylko wykwalifikowany personel może zakładać akumulator. Ustawić płytkę elektroniczną i wbudowaną ładowarkę (opcjonalnie) zgodnie z typem używanych akumulatorów (MOKRE lub ŻELOWE).

Przed założeniem akumulatorów, sprawdzić czy nie są uszkodzone.

Rozłączyć złącze akumulatorów i wtyczkę ładowarki.

Uważać przy dotykaniu akumulatorów.

Urządzenie wymaga dwóch (2) akumulatorów 12V. Podłączyć zgodnie z Rys. 4 po prawej.

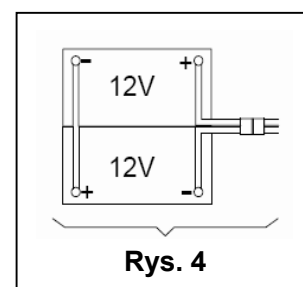
Urządzenie może być zasilane w następujący sposób:

a) Akumulatory (MOKRE lub ŻELOWE / AGM) założone i gotowe do użycia.

- Sprawdzić akumulator. Podłączyć go do urządzenia przy pomocy złącza (9).
- (dotyczy tylko AS430B i AS510B): Naciśnąć włącznik zasilania (41). Jeśli zapali się zielona lampka, to akumulatory są gotowe do użycia. Jeśli zapali się żółta albo czerwona lampka, to akumulatory wymagają ładowania. (zob. więcej informacji w rozdziale poświęconym konserwacji).

b) Brak akumulatorów

- Nabyć podobne akumulatory (zob. rozdział z parametrami technicznymi). Na temat wyboru akumulatora można skonsultować się z agentem akumulatorów.



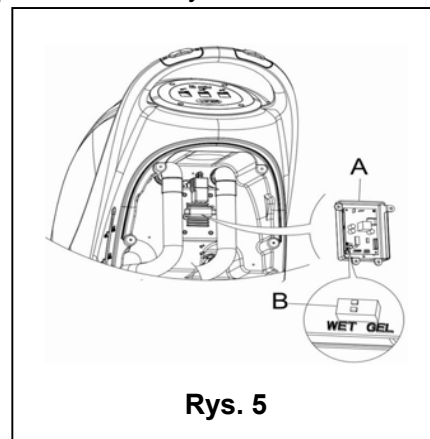
Rys. 4

- Ustawić urządzenie i wbudowaną ładowarkę (o ile jest) zgodnie z typem używanych akumulatorów (KWASOWE lub ŻELOWE/AGM). Przeczytać także poniższy rozdział nt. zakładania akumulatorów.

ZAKŁADANIE I USTAWIENIE TYPU AKUMULATORA (KWASOWE LUB ŻELOWE/AGM)

Ustawić płytkę elektroniczną na wbudowanej ładowarce zgodnie z typem używanych akumulatorów (KWASOWE lub ŻELOWE/AGM). Procedura przedstawia się następująco:

- Sprawdzić czy złącze akumulatora jest rozłączone. Jeśli urządzenie ma fabrycznie zamontowany akumulator AGM, to przejść od razu do kroku 8; w przeciwnym wypadku wypełnić kroki: 2, 3 i 4.
- Wyjąć wąż spustowy (15)
- Jeśli jest wbudowana ładowarka, to odwinąć kabel do ładowania z uchwytu do kabla.
- Zdjąć osłonę układu sterowania (5) i wykręcić śruby z pokrywy akumulatorów (10). Wykręcić śruby ze statywu płytki PCB. Przełącznik DIP (B) do ustawienia modelu akumulatora jest widoczny po odwróceniu płytki PCB. (Zob. **Rys. 5**)
- Ustawić miniprzełącznik DIP (B) w położeniu "WET".
- Wykonać kroki 3, 4 oraz 5 w odwrotnej kolejności.



Rys. 5

Zakładanie akumulatorów

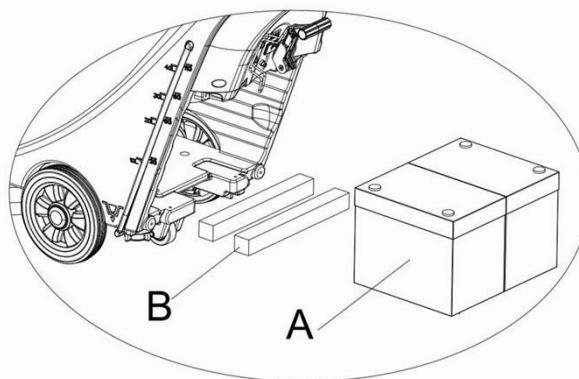
- Rozłączyć złącze akumulatora (9) .
- Otworzyć pokrywę (25) i sprawdzić czy zbiornik odzysku wody jest pusty - jeśli nie, to opróżnić go przez wąż spustowy (15).
- Odkręcić gałkę mocowania ssawy (16), wyjąć łącznik łączący wąż ssący (11) ze ssawą a następnie zdjąć ściągaczkę.
- Odkręcić śruby pokrywy akumulatora (10) i zdjąć pokrywę.
- Odkręcić łącznik ciągną ssawy (12), łączący je ze wspornikiem ssawy (19), a następnie zawiesić ciągną końcówką do góry.
- Zawiesić wąż spustowy (15) i wąż ssawy (11) końcówką do góry.
- Stosownie od wielkości akumulatora, pchnąć do oporu płytę mocującą w skrzynce akumulatora do środka.



INFORMACJA

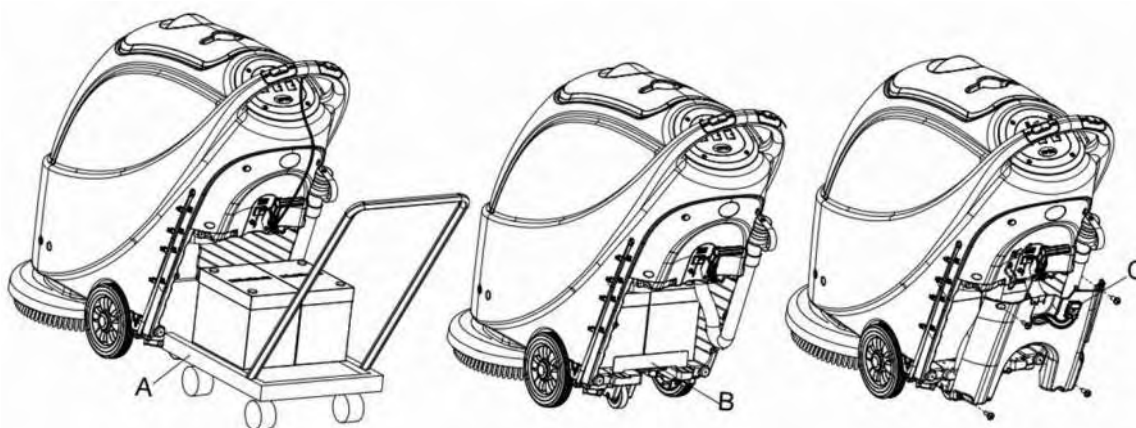
Rozmiar akumulatora nie może przekraczać: wys x szer x dług 330mm x 170mm x 260mm. Zależnie od rozmiaru akumulatora, należy wybrać następujące sposoby jego mocowania:

- przy długości akumulatora poniżej 270mm, zastosować 2 płytki mocujące (**B, Rys. 6**) i umieścić je, jedna obok drugiej, wewnątrz przedziału;
- przy długości akumulatora 310mm-270mm, zastosować 1 płytkę mocującą (**B, Rys. 6**) i umieścić ją wewnątrz przedziału;
- przy długości akumulatora 330mm-310mm, płytki mocująca jest zbędna.



Rys. 6

14. Akumulator zakładać przy pomocy narzędzi (A, Rys. 7). Po założeniu akumulatora, usunąć narzędzia, a następnie zamontować wspornik akumulatora (B, Rys. 7).



Rys. 7

15. Przełożyć złącze akumulatora (C, Rys. 7) przez górny otwór pokrywy skrzynki akumulatora, przeciągnąć wąż spustowy przez prawy otwór pokrywy skrzynki, 4 śrubami przykręcić pokrywę skrzynki akumulatora i zamontować ciężno ściągaczki, wąż spustowy i wreszcie ściągaczkę.

Ładowanie akumulatora

16. W celu naładowania akumulatora zob. rozdział konserwacja.

PRZED URUCHOMIENIEM URZĄDZENIA

MONTAŻ I ZDEJMOWANIE SZCZOTKI / UCHWYTU PŁYTY



INFORMACJA

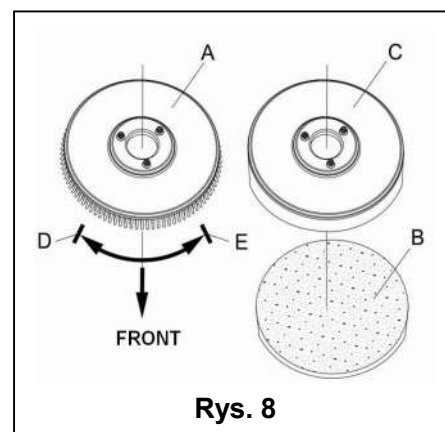
Zależnie od rodzaju podłogi, jaka ma być czyszczona, do urządzenia montuje się szczotkę (Rys. 8, A) albo uchwyt pada (Rys. 8, B i C).



OSTROŻNIE !

W trakcie ręcznego zakładania lub zdejmowania szczotki/uchwytu pada, najpierw sprawdzić czy wszystkie przełączniki są wyłączone, unieść ściągaczkę nad podłogą i dopiero wtedy wykonać czynności ze szczotką albo uchwytem pada. Dodatkowo, należy się zabezpieczyć przed ranami ciętymi za pomocą rękawic ochronnych.

- (dotyczy tylko **AS430B** i **AS510B**): Sprawdzić czy włącznik (41) akumulatora jest rozłączony (O).
- Nacisnąć uchwyt operatora (2) w celu uniesienia korpusu zbiornika (26).
- Umieścić szczotkę (A) albo uchwyt płyty (B-C) pod obudową.
- Użyć uchwytu operatora (2) do obniżenia korpusu zbiornika (26), aby zetknął się ze szczotką lub uchwytem pada.
- Następnie zamontować szczotkę/uchwyt pada automatycznie, obracając włącznik zasilania (41) na pozycję "I" i naciskając wyłącznik bezpieczeństwa (1). Delikatnie popchnąć urządzenie do przodu, tak by koło pasowe na dole zbiornika wyrównało się ze szczotką lub uchwytem pada, które wtedy można założyć, po czym zwolnić wyłącznik bezpieczeństwa. W razie potrzeby, procedurę powtarzać aż do założenia szczotki/uchwytu pada.
- Jeśli krok 5 okaże się zbyt trudny, to założyć szczotkę/uchwyt pada ręcznie, zgodnie ze wskazaniem strzałki (D) (zob. Rys. 8).
- Aby zdjąć szczotkę/uchwyt pada automatycznie, trzeba obrócić włącznik zasilania (41) na pozycję "O". Ręką przytrzymać uchwyt operatora i docisnąć urządzenie do podłogi - aż koło



Rys. 8

naprowadzające dotknie podłogi a szczotka/uchwyt pada zawiśnie w powietrzu. Następnie obrócić włącznik zasilania (41) na pozycję "I" i nacisnąć wyłącznik bezpieczeństwa tak, by szczotka/uchwyt opadła na podłogę.

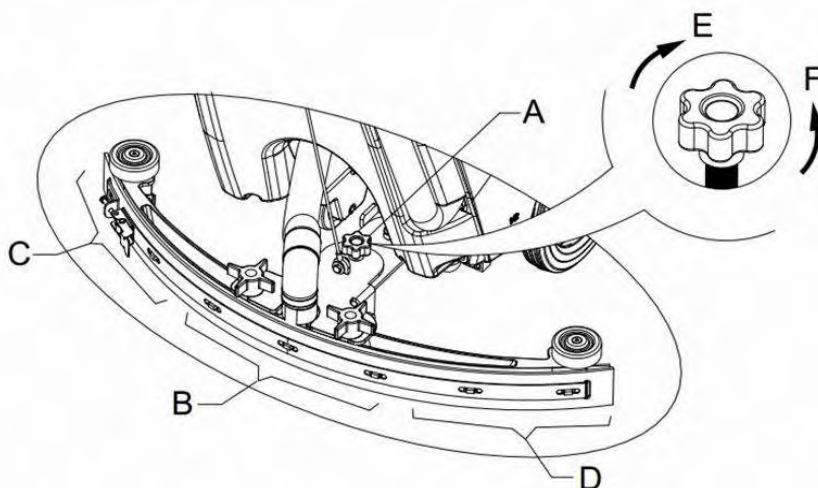
8. Jeśli krok 7 okaże się zbyt trudny, to wykonać go ręcznie, obracając szczotkę/uchwyt pada w kierunku przeciwnym do normalnego kierunku obrotów, a wtedy będzie je można zdjąć (jak na Rys. 8).

POZIOMOWANIE ŚCIĄGACZKI

9. Założyć ściągaczkę i mocno ją dokręcić rączką. Następnie podłączyć wąż ssący do ssawy.

10. Ustawić ściągaczkę przy pomocy śruby (A) ściągaczki (zob. Rys. 9).

- 1) Jeśli środkowa część tylnej gumyssawy (część B) odstaje od podłogi, albo słabo na nią naciska, to regulować rączką w kierunku przeciwnym do ruchu wskazówek zegara aż cała tylna część będzie dobrze dociskać do podłogi. Przednia część ssawy powinna lekko dotykać podłogi.
- 2) Jeśli obydwa końce tylnej gumyssawy (część C i D) odstają od podłogi, albo słabo na nią naciskają, to regulować rączką w kierunku zgodnym z ruchem wskazówek zegara aż cała tylna część będzie dobrze dociskać do podłogi. Przednia część ssawy powinna lekko dotykać podłogi.



Rys. 9

Napełnianie zbiornika na roztwór



OSTROŻNIE !

Stosować można tylko detergenty niskopieniące, niezapalne. Muszą to być detergenty do stosowania ze szczotkami.

11. Otworzyć osłonę wlotu wody (27) i wlać wodę do zbiornika na roztwór. Nie przepelniać zbiornika. Napełnić prawie do krawędzi uchwyty filtra wlotu wody. Przy sporządzaniu roztworu do mycia, trzeba się kierować zaleceniami producenta środków chemicznych, a temperatura wody nie może przekraczać 40°C.

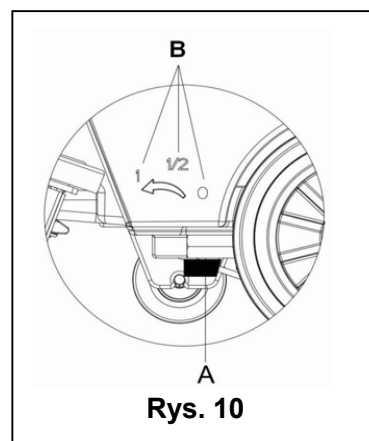
REGULACJA PRZEPŁYWU WODY



OSTRZEŻENIE!

Regulacja zaworu kulowego (A, Rys. 10) musi się odbywać przy włączniku zasilania (41) w pozycji "O".

12. Intensywność przepływu wody regulować rączką zaworu kulowego (A, Rys. 10) stosownie do ilości wody potrzebnej do pracy szczotki.



Rys. 10

URUCHAMIANIE I ZATRZYMYWANIE URZĄDZENIA

Uruchamianie urządzenia

1. Wykonać kroki przygotowawcze jw.
2. Nacisnąć włącznik zasilania (41) do położenia "I".
3. Obniżyć ściągaczkę przy pomocy jej rączki (41).
4. Nacisnąć włącznik pompy odkurzacza (42) do położenia "I".
5. Nacisnąć przełącznik kontroli przepływu wody (44) do położenia "I". (razem z wyłącznikiem bezpieczeństwa (1) kontroluje działanie elektrozaworu).
6. Przytrzymać wyłącznik bezpieczeństwa (1) i ruszyć urządzeniem. Szczotka (29) zacznie się obracać i urządzenie rozpocznie czyszczenie.



INFORMACJA: Jak ruszyć urządzeniem
Urządzenie posiada dwa wyłączniki bezpieczeństwa, po obydwu stronach uchwytu operatora. Każdy z nich niezależnie kontroluje pracę szczotki. Pomagają sterować pracą urządzenia.

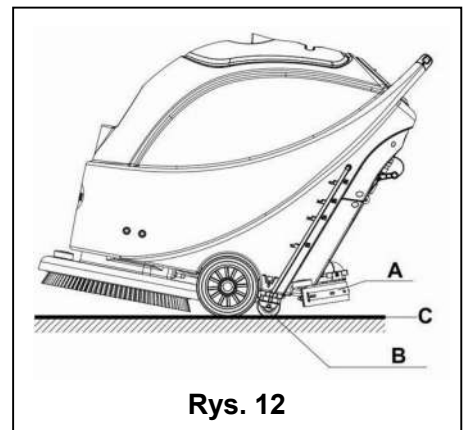
Jak pokazuje doświadczenie, prowadzenie urządzenia jak na Rys. 11, jest wygodne dla rąk i zmniejsza zmęczenie operatora. Dlatego zalecamy właśnie taką metodę.



Rys. 11

Wyłączanie urządzenia

7. Na koniec pracy z urządzeniem, najpierw zdjąć szczotkę/uchwyt pada (zob. kroki w rozdziale o zakładaniu i zdejmowaniu szczotki/uchwytu pada)
8. Zwolnić wyłącznik bezpieczeństwa (1), aby wyłączyć szczotkę/uchwyt pada i elektrozawór.
9. Nacisnąć włącznik silnika ssącego (42) do położenia "O" i po 5 sekundowej zwłoce silnik zatrzyma się.
10. Nacisnąć przełącznik kontroli przepływu wody (44) do położenia "O", aby zupełnie zakończyć działanie elektrozaworu.
11. Nacisnąć włącznik zasilania (41) do położenia "O".
12. Unieść ściągaczkę przy pomocy jej rączki (14).
13. Chwycić uchwyt operatora (2) i delikatnie przechylić urządzenie do tyłu aż koło naprowadzające (B) dotknie podłogi. Zob. Rys. 12.



Rys. 12

EKSPLOATACJA URZĄDZENIA (SZCZOTKOWANIE I SUSZENIE)

1. Uruchomić urządzenie zgodnie z instrukcjami jw.
2. Przytrzymać wyłącznik bezpieczeństwa (1) (jak na Rys.11), ruszyć urządzeniem i rozpocząć czyszczenie.
3. Jeśli trzeba, wyłączyć urządzenie i wyregulować śrubą ssawę. (zob. kroki poziomowania ssawy)
4. Jeśli trzeba, wyłączyć urządzenie i wyregulować przepływ wody rączką zaworu kulowego. (zob. kroki regulacji przepływu wody)



OSTROŻNIE !

Aby nie uszkodzić powierzchni podłogi, kiedy urządzenie zatrzymuje się w jednym miejscu, prosimy wyłączyć włącznik zasilania (41).

Rozładowanie akumulatorów podczas pracy

5. Tylko stale paląca się zielona lampka (38) świadczy o w pełni naładowanych akumulatorach, wystarczających do pracy urządzenia.

**INFORMACJA**

Świecenie wszystkich czterech zielonych lampek (38) oznacza pełne naładowanie. Kiedy świeci ostatnia zielona lampka (38), a potem zaczyna migać, to znaczy że trzeba naładować akumulator – w przeciwnym wypadku, po kilka minutach urządzenie przestanie działać.

Kiedy zgaśnie ostatnia zielona lampka (38) i zapali się czerwona (39 i 40), urządzenie automatycznie przestanie działać po kilka minutach. (zob. kroki w rozdziale o konserwacji).

**OSTROŻNIE !**

Nie używać maszyny z rozładowanymi akumulatorami, by uniknąć ich uszkodzenia i skrócenia ich żywotności.

OPRÓŻNIANIE ZBIORNIKA

Kiedy zbiornik odzysku wody będzie pełny, pływak w separatorze (36) zablokuje wlot do silnika ssącego. Nagła, głośniejsza praca silnika ssącego świadczy o jej przeciążeniu oraz o potrzebie natychmiastowego spuszczenia wody odpadowej.

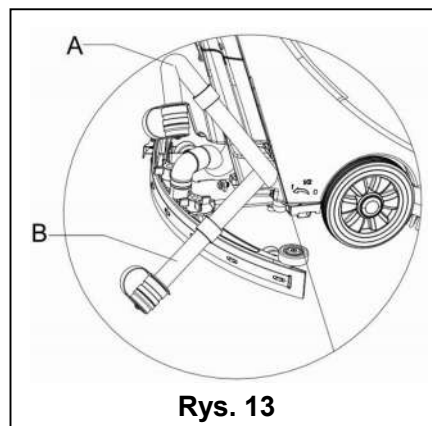
**OSTROŻNIE !**

W przypadku nagłego wyłączenia pompy odkurzacza (np. w wyniku gwałtownego ruchu urządzenia po zadziałaniu separatora), kiedy trzeba wznowić pracę, prosimy wykonać następujące kroki: nacisnąć włącznik zasilania (41 i 42) w celu rozłączenia zasilania i silnika ssącego, otworzyć pokrywę zbiornika odzysku wody (25) i sprawdzić czy separator w filtrze powrócił na powierzchnię wody. Wtedy zamknąć pokrywę zbiornika odzysku wody (25) i nacisnąć włącznik zasilania (41 i 42) w celu przywrócenia zasilania oraz pracy silnika ssącego.

Kiedy zbiornik odzysku wody będzie pełny wody odpadowej, postępować następująco:

Opróżnianie zbiornika odzysku wody

1. Wyłączyć urządzenie.
2. Unieść ściągaczkę przy pomocy jej rączki (14).
3. Przesunąć urządzenie do miejsca opróżniania z odpadów.
4. Chwycić uchwyt operatora (2) i delikatnie przechylić urządzenie do tyłu, aż koło naprowadzające dotknie podłogi. (zob. więcej informacji w procedurach zatrzymywania urządzenia).
5. Wyjąć wąż spustowy z zacisku, zagiąć górny koniec węża (jak A, Rys. 13) i otworzyć kłapkę węża, obniżyć prawie/ do podłogi w celu spuszczenia wody. Albo od razu obniżyć wąż nisko/ do podłogi, wylotem skierowanym w dół (jak B, Rys. 13) i wtedy otworzyć kłapkę węża. Na koniec przepłukać zbiornik odzysku wody czystą wodą.



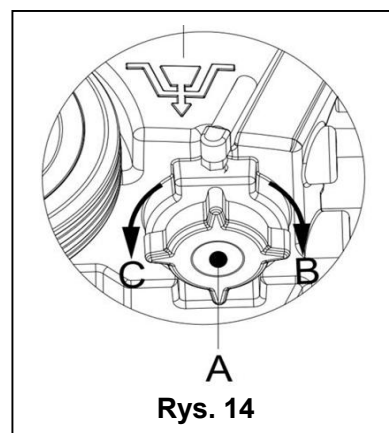
Rys. 13

OSTROŻNIE !

Przy spuszczeniu wody odpadowej węzłem z odkurzacza, trzeba go zagiąć albo bardziej obniżyć (jak A lub B, Rys. 13), po czym otworzyć kłapkę węża i opróżnić go z wody odpadowej. Nie kierować wylotu węża do góry. Pozwala to uniknąć pochłapania operatora.

Opróżnianie zbiornika na roztwór

6. Wykonać kroki 1 do 4.
7. Zgodnie z Rys. 14, otworzyć pokrywę zbiornika na roztwór (A), w kierunku ruchu wskazówek zegara - C i całkowicie opróżnić zbiornik. Przepłukać zbiornik czystą wodą. Po wykonaniu zadania, mocno dokręcić pokrywę zbiornika (A), zgodnie z ruchem wskazówek zegara – w kierunku B.



Rys. 14

NA ZAKOŃCZENIE PRACY Z URZĄDZENIEM

Na koniec pracy, przed pozostawieniem urządzenia, wykonać co następuje:

1. Zgodnie z procedurą opisaną wcześniej, o zakładaniu i zdejmowaniu szczotki/uchwyty pada – zdjąć szczotkę/uchwyty pada.
2. Zgodnie ze stosowną procedurą, całkowicie opróżnić zbiornik na roztwór i do odzysku wody.
3. Wypełnić procedury obsługi codziennej (zob. informacje w rozdziale o konserwacji).
4. Urządzenie przechowywać w czystym i suchym miejscu, razem ze szczotką/uchwytem pada i ściągaczką. Ściągaczka winna być uniesiona lub zdjęta.

OKRESY BEZCZYNNOŚCI

Jeśli urządzenie nie będzie eksploatowane przez ponad 30 dni, to wykonać co następuje:

1. Wypełnić procedurę jak po użyciu urządzenia.
2. Odłączyć złącze (9), łączące urządzenie z akumulatorem.
3. Aby zachować sprawność akumulatora w czasie bezczynności urządzenia, należy go ładować raz na 3 miesiące.

PIERWSZE UŻYCIE

Po pierwszych 9 godzinach użycia, prosimy sprawdzić wszystkie części - czy się nie obłuzowały lub uległy uszkodzeniu oraz czy nie ma jakich widocznych nieszczelności.

KONSERWACJA I PIELĘGNACJA

Prawidłowo prowadzona i systematyczna konserwacja oraz pielęgnacja zapewnia długotrwałe użytkowanie maszyny oraz maksymalne bezpieczeństwo użytkowania.

W tabeli poniżej przedstawiono ogólny harmonogram konserwacji. Okresy między konserwacjami w znacznej mierze zależą od warunków eksploatacyjnych urządzenia. Za ich ustalenie odpowiada personel techniczny.



OSTRZEŻENIE!

Wspomniane procedury można wykonywać tylko po wyłączeniu urządzenia i rozłączeniu akumulatora. Przed przystąpieniem do jakiegokolwiek konserwacji, należy zapoznać się z poniższymi rozdziałami, dotyczącymi bezpieczeństwa.

Planowane przeglądy oraz naprawy może prowadzić tylko wykwalifikowany personel albo serwisanci z autoryzowanego punktu serwisowego.

W niniejszym podręczniku opisano tylko najłatwiejsze i najczęściej przeprowadzane czynności konserwacyjne.

Zob. inne konserwacje w tabeli pt. Harmonogram konserwacji oraz w instrukcji serwisowej.

HARMONOGRAM PRZEGLĄDÓW

Procedura	Codziennie po użyciu	Co tydzień	Co 6 miesięcy	Co rok
Ładowanie akumulatora				
Czyszczenie ściągaczki				
Czyszczenie szczotki/uchwyty pada				
Czyszczenie zbiornika wody i filtra z separatorem; inspekcja listew uszczelniających zbiornika na wodę.				
Kontrola i wymiana gum ssawy				
Czyszczenie filtra roztworu myjącego				
Czyszczenie filtra pompy odkurzacza				
Kontrola poziomu elektrolitu w akumulatorze typu mokrego				
Kontrola szczelności nakrętek i śrub			(1)	
Kontrola lub wymiana szczotki węglowej silnika szczotki/uchwyty pada				(2)
Kontrola lub wymiana szczotki węglowej silnika ssącego				(2)

(1) Powinno się to odbyć po 9 godzinach od rozpoczęcia pracy urządzenia.

(2) Te konserwacje może prowadzić tylko personel z autoryzowanego punktu serwisowego VIPER.

ŁADOWANIE BATERII**INFORMACJA**

Akumulator należy naładować wtedy, kiedy świeci się żółte lub czerwone światło albo po zakończeniu pracy.

**OSTROŻNIE !**

Trwałość akumulatora jest przedłużona kiedy akumulator jest utrzymywany w stanie pełnego naładowania.

**OSTROŻNIE !**

Kiedy napięcie w akumulatorze jest zbyt niskie, należy go jak najszybciej naładować. Sprawdzać ładowarkę przynajmniej raz w tygodniu.

**OSTROŻNIE !**

Jeśli urządzenie nie ma wbudowanej ładowarki, to należy dobrać odpowiednią ładowarkę zewnętrzną.

**OSTRZEŻENIE!**

Należy zachować szczególną ostrożność przy ładowaniu akumulatora, ponieważ może wystąpić przeciekanie kwasu. Kwas z akumulatora jest żrący. Jeśli dostanie się na skórę lub do oczu, to obficie spłukać wodą i zasięgnąć porady u lekarza.

1. Otworzyć pokrywę zbiornika odzysku wody (25) i sprawdzić czy jest pusty. Jeśli nie jest, to opróżnić go za pomocą węża spustowego (15).
2. Przesunąć urządzenie do miejsca ładowania.
3. Nacisnąć włącznik zasilania (41) do położenia "O", aby wyłączyć urządzenie.
4. Dotyczy tylko akumulatorów mokrych – dolewanie wody
 - Sprawdzić poziom elektrolitu w akumulatorze. Ewentualnie dolać przez korek.
 - Trzymać wszystkie korki otwarte.
 - W razie konieczności, wytrzeć górną powierzchnię akumulatora.
5. Wybrać jeden ze sposobów ładowania akumulatora, zależnie od jego typu.

Ładowanie z zewnętrznej ładowarki

6. Sprawdzić w instrukcji czy dana ładowarka jest właściwa. Napięcie wyjściowe musi wynosić 24V prądu stałego.
7. Podłączyć złącze akumulatora do zewnętrznego złącza, a to z kolei do sieci.
8. Po zakończeniu ładowania, połączyć złącze akumulatora z urządzeniem.

Ładowanie z wbudowanej ładowarki (opcja)

9. Zdjąć gumową osłonę z końcówki złącza do ładowania akumulatora.
10. Podłączyć końcówkę złącza do ładowania akumulatora do sieci przy pomocy kabla do ładowania. (zwrócić uwagę, czy napięcie wejściowe we wbudowanej ładowarce wynosi 220V – 240V, a napięcie wyjściowe 24V oraz czy częstotliwość jest zgodna z wymaganiami). Kiedy ładowarka jest podłączona do sieci, wtedy wszystkie funkcje wykonują się automatycznie. Jeśli pali się czerwona lampka wbudowanej ładowarki, to znaczy że ładowarka ładuje akumulatory.
11. Świecenie się zielonej lampki (47) oznacza zakończenie ładowania.
12. Po zakończeniu ładowania, wyjąć przewód łączący z końcówki złącza do ładowania akumulatora i ze źródła zasilania oraz nałożyć gumową osłonę.
13. Rozłączyć kabel do ładowania od źródła zasilania i nawinąć go na uchwyt (6).

**INFORMACJA**

Więcej informacji na temat wbudowanej ładowarki znajduje się w jej instrukcji obsługi.

CZYSZCZENIE SSAWY**INFORMACJA**

Warunkiem utrzymania optymalnej skuteczności odsysania jest utrzymanie czystej ssawy oraz gum ssawy w dobrym stanie.

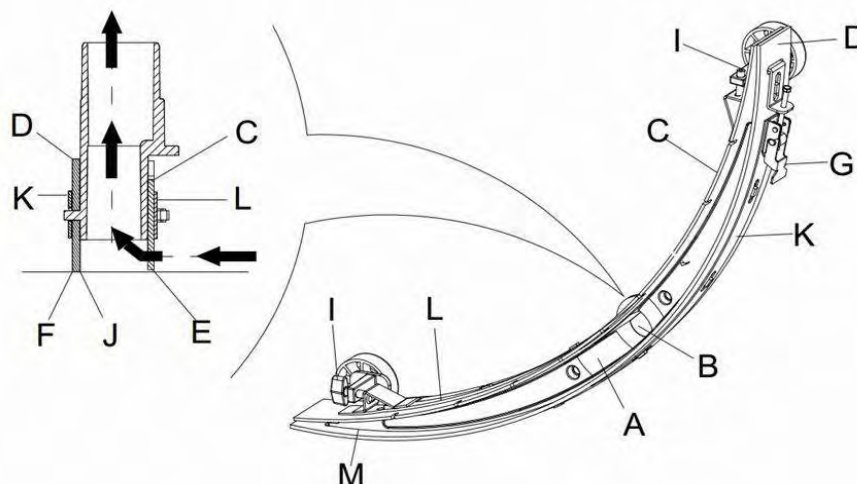
**OSTROŻNIE !**

Zaleca się noszenie rękawic ochronnych do czyszczenia ssawy, ponieważ resztki mogą mieć ostre krawędzie.

1. Przesunąć urządzenie na płaską i gładką powierzchnię.
2. Nacisnąć włącznik zasilania (41) do położenia "O" aby wyłączyć urządzenie.
3. Odkręcić nakrętkę mocowania ssawy (16), wyjąć łącznik łączący przewód odkurzacza do odpadów, a następnie zdjąć ściągaczkę.
4. Unieść ramę wsparcia ściągaczki przy pomocy rączki (14).
5. Wyczyścić ssawę (**Rys. 15**), a szczególnie rowek (**A**, **Rys. 15**) oraz kurz i resztki z węża ssącego. Sprawdzić czy przednie pióro ssawy (C) oraz tylne pióro (D) są nieuszkodzone, pozbawione wyszczerbień lub pęknięć. W razie konieczności wymienić (zob. kroki w następnym rozdziale).
6. Zamontować ściągaczkę w odwrotnej kolejności.

KONTROLA I WYMIANA GUMYSSAWY

1. Wyczyścić ssawy (**Rys. 15**) metodami podanymi wyżej.
 2. Skontrolować krawędź przedniego pióra (F) i tylnego pióra ściągaczki (D). Na całej długości powinny być na tym samym poziomie. W przeciwnym wypadku, dostosować ich wysokości według poniższej procedury:
 - Poluzować zacisk (G) tak, by tylne pióro ściągaczki (D) oddzieliło od uchwyty (M) i by można wyregulować położenie ściągaczki. Na koniec z powrotem zamknąć zacisk.
 - Poluzować śrubę na rączce (I) i wyregulować przednie pióro (C); następnie śrubę z powrotem dokręcić.
 3. Sprawdzić czy przednie (C) oraz tylne pióro ściągaczki (D) są nieuszkodzone, pozbawione wyszczerbień lub pęknięć. Ewentualnie je wymienić według poniższej procedury. Sprawdzić czy krawędź tylnego pióra ściągaczki (J) nie jest zużyta. Jeśli jest, to można je odwrócić (o ile górna krawędź jest nieuszkodzona). Jeśli górna krawędź jest również zużyta, to pióro wymienić w następujący sposób:
 - Poluzować zacisk (G) tak, by guma ssawy oddzieliła od uchwyty (M), zdjąć listwę zaciskającą (K), a następnie odwrócić lub wymienić tylną gumę ssawy (D). Zamontować tylną gumę ściągaczki w odwrotnej kolejności.
 - Poluzować śrubę na rączce (I) i zdjąć przednią listwę zaciskającą (L), po czym wymienić przednie gumę ssawy (C).
- Zamontować z powrotem przednią gumę ssawy w odwrotnej kolejności.
Po wymianie (lub odwróceniu) pióra, wyregulować przednie i tylne pióro według procedur opisanych wcześniej.
4. Podłączyć wąż ssący (11) do ssawy.
 5. Założyć ssawy i zamocować ją przy pomocy gałki mocowania ssawy (16), następnie przyłączyć wąż odkurzacza do ssawy.
 6. W razie konieczności, ustawić ssawę przy pomocy śruby (20) (zob. procedury regulacji ssawy).

**Rys. 15**

CZYSZCZENIE SZCZOTKI/TRZYMAKA PADA



OSTROŻNIE !

Zaleca się noszenie rękawic ochronnych do czyszczenia szczotki/uchwytu pada, ponieważ resztki mogą mieć ostre krawędzie.

1. Zdjąć szczotkę/uchwyt pada według poprzednich opisów.
2. Umyć je wodą z detergentami.
3. Sprawdzić kompletność i stan zużycia włosa szczotki i w razie konieczności szczotkę wymienić.
4. Sprawdzić stan zużycia uchwytu pada i w razie konieczności wymienić.

CZYSZCZENIE ZBIORNIKA WODY I KRATKI FILTRA

1. Przesunąć urządzenie do miejsca opróżniania z odpadów.
2. Nacisnąć włącznik zasilania (41) do położenia "O", aby wyłączyć urządzenie.
3. Otworzyć pokrywę zbiornika na roztwór (A, Rys. 16), wyjąć filtr (36) ze zbiornika odzysku wody.
4. Czystą wodą umyć pokrywę zbiornika na roztwór (A) i sam zbiornik (B, C) oraz ramkę filtra (E). Opróżnić zbiornik przez przewód (15).
5. W razie konieczności, kierując się symbolami "otwórz" i "zamknij" pokazanymi na rysunku 16, otworzyć dolną osłonkę (F) filtra i wyczyścić separator (D), ramkę (E) i gąbkę filtra (I). Po zakończeniu czyszczenia, zamontować separator na ramce (E) i wyrównać rowek (L) dolnej osłonki filtra z rowkiem ramki filtra (E). Mocno dokręcić dolną osłonkę (F) filtra i zamocować gąbkę filtra (I) na ramce (E) oraz na przewodzie odkurzacza.
6. Skontrolować stan uszczelki (G) pokrywy zbiornika na czystą wodę.

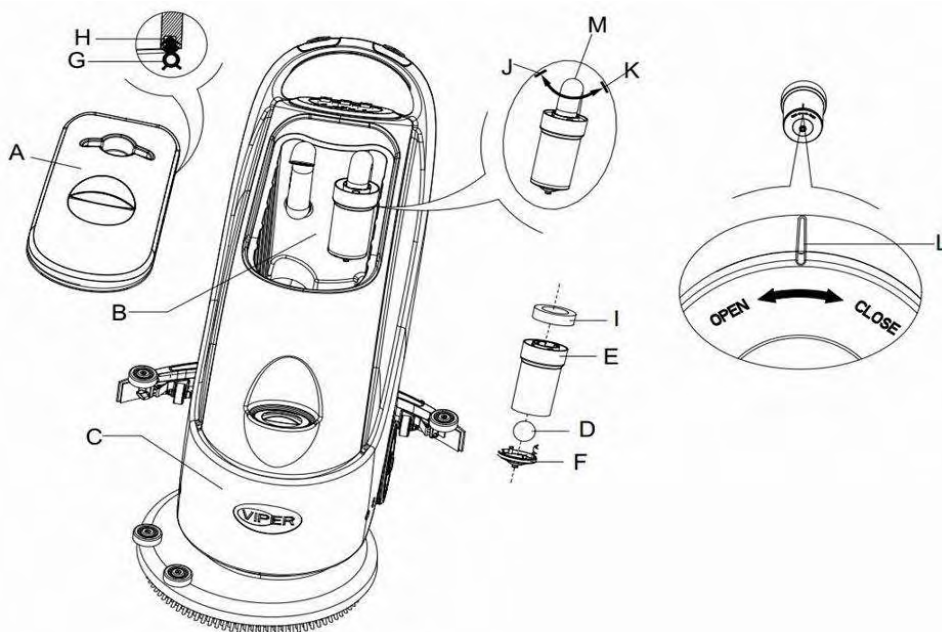


INFORMACJA

To dzięki uszczelce (G), może powstawać podciśnienie w zbiorniku wody. Zbiornik musi być doskonale szczelny, żeby efektywnie zasysać wodę odpadową z podłogi.

Jeśli trzeba, uszczelkę (G) w zbiorniku wody można wyjąć z rowka (H) i wymienić. Przy zakładaniu nowej uszczelki, jak na Rys. 16 poniżej, montuje się łącznik do środka tylnej części.

7. Skontrolować czy powierzchnia, do której ma przylegać uszczelka (G), jest nieuszkodzona.
8. Zamknąć pokrywę zbiornika odzysku wody (A).



Rys. 16

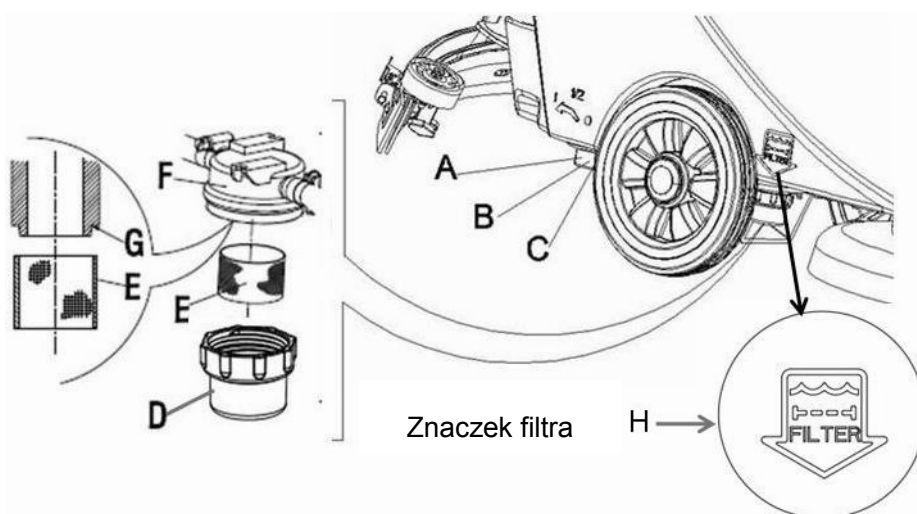
CZYSZCZENIE FILTRA ROZTWORU MYJĄCEGO

1. Usunąć całą wodę ze zbiornika na roztwór w sposób opisany w poprzednich rozdziałach.
2. Przesunąć urządzenie na płaską i gładką powierzchnię.
3. Nacisnąć włącznik zasilania (41) do położenia "O", aby wyłączyć urządzenie.
4. Zamknąć zawór kulowy spustowy (**A, Rys. 17**) (na dole urządzenia, za kołami). Ustawić zawór kulowy B w pozycji otwartej, a zawór kulowy C – w zamkniętej.
5. Zdjąć przezroczystą pokrywę (D) i wyjąć filtr (E), a po czyszczeniu zamontować je w skrzynce filtra (F).

**INFORMACJA**

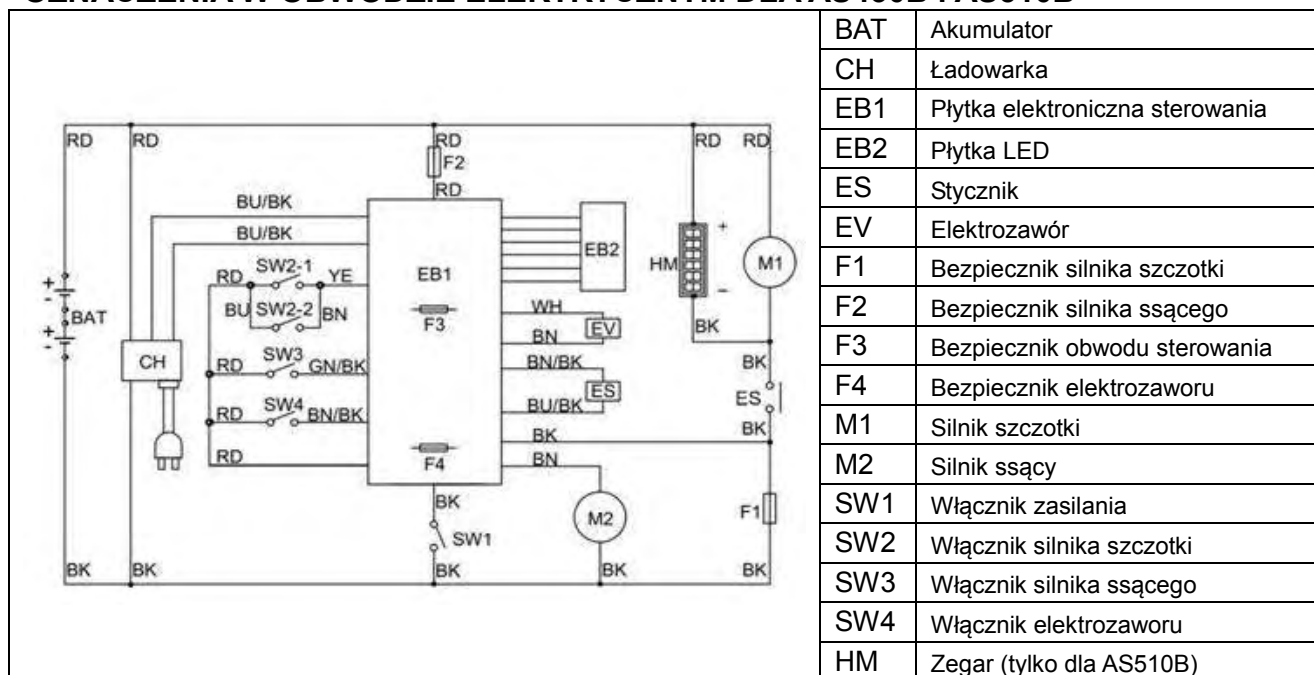
Filtr (E) trzeba precyzyjnie zamontować na gnieździe w obudowie (G).

6. Otworzyć zawór kulowy (A).



Rys. 17

OZNACZENIA W OBWODZIE ELEKTRYCZNYM DLA AS430B i AS510B



KODY KOLORÓW

RD=czerwony	BN=brązowy	BU/BK=niebiesko/czarny
BU=niebieski	YE=żółty	GN/BK=zielono/czarny
BK=czarny	WH=biały	BN/BK=brązowo/czarny

USUWANIE USTEREK

Usterka	Możliwa przyczyna	Środek zaradczy
Urządzenie nie działa: nie świeci się wskaźnik	Złącze akumulatora (9) rozłączone.	Podłączyć złącze akumulatora.
	Akumulator wyczerpany	Naładować akumulator
Migają lampki ostrzegawcze (39 i 40)	Silnik szczotki przeciążony	Zmienić szczotkę na miękką, adekwatnie do czyszczonej podłogi
	Szczotka zaczopowana resztkami	Wyczyścić szczotkę
Szczotka nie działa	Wybicie bezpiecznika szczotki	Reset
	Ślizganie pasa	Skontrolować pas, wyregulować koło pasowe
Nie działa silnik odkurzacza	Spalony bezpiecznik F2	Wymienić
Niewystarczające zasysanie	Wybicie bezpiecznika odkurzacza	Reset
	Przewód ssący i ściągaczka nieprawidłowo połączone	Połączyć przewód odkurzacza ze ściągaczką
	Zanieczyszczony filtr z separatorem albo wlot	Wyczyścić filtr, sprawdzić kulkę
	Gumy ściągaczki brudne, zużyte lub uszkodzone	Oczyścić i sprawdzić ściągaczkę
	Pokrywa zbiornika odzysku wody nieprawidłowo dokręcona albo listwa uszczelniająca zbiornika wody uszkodzona.	Dokręcić pokrywę zbiornika odzysku wody lub wymienić listwę uszczelniającą zbiornika wody.
Niewystarczający dopływ czystej wody do szczotki	Filtr zanieczyszczony.	Wyczyścić filtr
Ściągaczka zostawia ślady	Pod gumami ssawy są śmieci.	Usunąć śmieci
	Gumy ssawy zużyte, popękane lub pokruszone	Wymienić gumy ściągaczki
	Ssawianiewyregulowana	Wyregulować

**INFORMACJA**

Jeśli urządzenie ma zainstalowaną opcjonalną ładowarkę, a ta jest niesprawna, to urządzenie nie może działać.

Jeśli wbudowana ładowarka jest niesprawna, prosimy skontaktować się z autoryzowanym punktem serwisowym.

Więcej informacji w instrukcji konserwacji (dostępna w każdym centrum serwisowym VIPER)

UTYLIZACJA URZADZENIA

Do zniszczenia urządzenia służy gniotownik.

Przed zniszczeniem prosimy wyjąć i składować materiały, które nadają się do segregacyjnego składowania albo wymagają innego przetworzenia, zgodnie ze stosownymi przepisami.

- Akumulator
- Szczotka/uchwyt pada
- Przewody i elementy z tworzyw sztucznych
- Elementy elektryczne i elektroniczne (*)

(*): Prosimy o kontakt z najbliższym centrum VIPER (szczególnie w przypadku złomowania elementów elektrycznych i elektronicznych).

TARTALOMJEGYZÉK

BEVEZETÉS	203
KÉZIKÖNYV TARTALMA	203
CÉL	203
ALKATRÉSZEK ÉS KARBANTARTÁS	203
MÓDOSÍTÁSOK ÉS JAVÍTÁSOK	203
ALKALMAZÁSI JOGKÖR	203
KICSOMAGOLÁS/SZÁLLÍTÁS	203
ÁLTALÁNOS BIZTONSÁGI ÚTMUTATÓ	204
MŰSZAKI ADATOK	205
BERENDEZÉS LEÍRÁSA	205
BERENDEZÉS FELÉPÍTÉSE	205
KEZELŐPANEL	206
TÖLTÉSJELZŐ FÉNY KIJELZÉSE	207
HASZNÁLATI ÚTMUTATÓ	207
AZ ÚJ BERENDEZÉS AKKUMULÁTORÁNAK BEHELYEZÉSE ÉS BEÁLLÍTÁSA	207
AKKUMULÁTOR BEHELYEZÉSE ÁS AZ AKKUMULÁTOR TÍPUS BEÁLLÍTÁSA (WET VAGY GEL/AGM)	208
A KÉSZÜLÉK BEKAPCSOLÁSA ELŐTT	209
A KEFE-/PADTARTÓ BESZERELÉSE ÉS LEVÉTELE	209
A FELSZÍVÓ FEJFELSZERELÉSE	210
AZ ÁTFOLYÓ VÍZMENNYISÉG SZABÁLYOZÁSA	210
BERENDEZÉS INDÍTÁSA ÉS LEÁLLÍTÁSA	211
A BERENDEZÉS MŰKÖDTETÉSE (SÚROLÁS ÉS FELSZÍVÁS)	211
TARTÁLY ÜRÍTÉSE	212
A BERENDEZÉS HASZNÁLATA UTÁN	213
INAKTIVITÁSI IDŐSZAKOK	213
ELSŐ HASZNÁLAT	213
KARBANTARTÁS ÉS ÁPOLÁS	213
ÜTEMEZETT KARBANTARTÁSI TÁBLÁZAT	214
AKKUMULÁTOR TÖLTÉSE	214
FELSZÍVÓFEJ TISZTÍTÁSA	215
FELSZÍVÓ GUMI ELLENŐRZÉSE ÉS CSERÉJE	215
KEFE/PADTARTÓ TISZTÍTÁSA	216
VÍZTARTÁLY ÉS ÚSZÓ SZŰRŐRÁCS TISZTÍTÁSA	216
TISZTAVÍZSZŰRŐ TISZTÍTÁSA	217
AS430B ÉS AS510B ÁRAMKÖR RAJZ	218
HIBAELHÁRÍTÁS	219
A BERENDEZÉS MEGSEMISÍTÉSE	219

BEVEZETÉS



MEGJEGYZÉS

A zárójelben lévő számok a Berendezés-leírás részben látható alkatrészekre vonatkoznak.

KÉZIKÖNYV TARTALMA

Ez a kézikönyv a berendezés helyes és biztonságos használatához szükséges tudnivalókkal ismerteti a felhasználót. Az információk magukban foglalják a műszaki adatokat, biztonságot, működtetést, tárolást, karbantartást és a berendezés megsemmisítését. A felhasználóknak és megfelelő szakképesítésű műszaki szakembereknek a berendezés használata és karbantartása előtt figyelmesen el kell olvasniuk ezt a kézikönyvet. Amennyiben magyarázatra vagy további információkra van szüksége, vegye fel a kapcsolatot a VIPER-rel.

CÉL

A jelen kézikönyv célja segíteni a felhasználóknak és szakképzett műszaki szakembereknek a berendezés karbantartását.

A felhasználó nem végezheti el a csak a műszaki szakemberek által engedélyezett műveleteket. A VIPER nem vonható felelősségre az ezen szabály megszegéséért.

ALKATRÉSZEK ÉS KARBANTARTÁS

Minden szükséges működtetési, karbantartási és javítási folyamatot csak szakképzett személyek vagy a VIPER szervizközpontjai végezhetik el.

Csak jóváhagyott alkatrészeket és tartozékokat használjon.

Amennyiben szerviz és alkatrész- vagy tartozékrendelés szükséges, vegye fel a kapcsolatot a VIPER-rel és adja meg a berendezés modellszámát és sorozatszámát.

MÓDOSÍTÁSOK ÉS JAVÍTÁSOK

A VIPER igyekszik folyamatosan javítani a termékeit. A VIPER fenntartja magának a jogot a berendezések módosítására és javítására, valamint annak eldöntésére, hogy a változtatások általi előnyök alkalmazhatók-e a már értékesített termékeknél is. Minden változtatást vagy extra tartozékot a VIPER-nek kell jóváhagynia, és a vállalatnak kell elvégeznie.

ALKALMAZÁSI JOGKÖR

Ez a tisztítógép otthoni és ipari környezetben használható, és alkalmas a sima és kemény padlók tisztítására (súrolás és vízfólsleg-begyűjtés). Csak szakképzett felhasználók által és biztonságos környezetben használható. A tisztítógép nem használható kültéri tisztításra, kárpitok tisztítására és viszonylag rücskös padlókon.

KICSOMAGOLÁS/SZÁLLÍTÁS

Kicsomagolásakor ügyeljen a csomagoláson található utasításokra.

Kézbesítéskor ellenőrizze a csomagolást és a berendezést, hogy a szállítás során nem sérült-e meg. Látható sérülés esetén tartsa meg az eredeti űrlapot, és kérje meg a szállítót, hogy erősítse meg és töltsse ki a sérülések listáját kompenzáció végett.

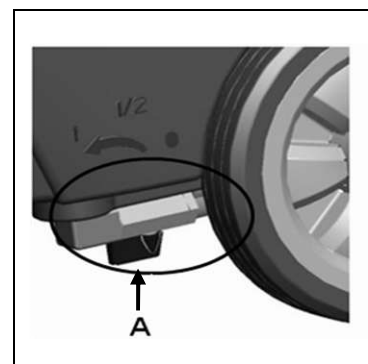


– FIGYELEM

A berendezés kicsomagolásakor, lehelyezésekor vagy lépcsőkön való hordozásakor figyeljen, nehogy beüsse a vízfolyás-szabályozó ki/be kapcsolót ("A" rész a jobb oldali ábrán).

Ellenőrizze, hogy a berendezéssel szállították-e a következő elemeket:

1. Műszaki dokumentáció
 - Tisztítógép felhasználói kézikönyv
 - Készüléktöltő kézikönyv (ha kellene lennie)
2. töltőcsatlakozó (ha nincs beépített töltő, akkor a meghatározott külső töltőn található)



ÁLTALÁNOS BIZTONSÁGI ÚTMUTATÓ

Lentebb speciális figyelmeztetéseket és megjegyzéseket olvashat a potenciális sérülésekről (személyi és berendezés egyaránt):



FIGYELMEZTETÉS!

- A berendezés csak a jelen kézikönyvben leírtak szerint üzemeltethető. Csak a VIPER által hitelesített tartozékokat használjon.
- Ezt a berendezést csak megfelelően tájékoztatott vagy szakképzett személy használhatja. Gyermekek vagy hozzá nem értő személyek nem használhatják a berendezést.
- A normál használat során az akkumulátor nem gyúlékony gázt bocsáthat ki. Az akkumulátort tartsa sugárzó, világító és égő tárgyaktól, valamint szikrától távol. A berendezés használatakor ellenőrizze, hogy a környezet jól szellőztetett-e és elég távol van-e nyílt lángoktól. Töltés közben ne dohányozzon a berendezés közelében.
- Bármilyen karbantartási/javítási munkát előtt csatlakoztassa le az akkumulátort.
- A beépített töltő használata előtt ellenőrizze, hogy a feszültség és frekvencia értéke a sorozatszám címken egyezik-e a tápellátás adataival.
- Amikor elektromos alkatrészek közelében dolgozik, ne viseljen semmilyen ékszert. Tartson be minden óvintézkedést, hogy a haja, ékszerei és laza ruházata ne akadjon bele a berendezés mozgó részeibe.
- Kérjük, ne használja a berendezés különösen szennyezett helyeken. A berendezést ne mossa közvetlenül vízzel. Ne hagyja, hogy a berendezés érintkezzen korrozív folyadékokkal.
- A készülék megengedett tárolási és használati hőmérséklet-tartománya 0 és 40°C közötti.
- A levegő páratartalmának 30 és 105% közöttinek kell lennie.
- Ne használja a berendezést 2%-osnál nagyobb lejtőn.
- Tűz esetén száraz poroltót használjon. Ne használjon folyékony poroltókat.
- Különös óvatossággal kell eljárni, amikor a berendezést 0°C alatti hőmérsékletnél szállítja. A víztartály és a tömlőkben lévő víz megfagyhat és súlyosan károsíthatja a berendezést.
- A berendezéssel szállított és a Felhasználói kézikönyvben meghatározott keféket és párnákat használja. Más kefék vagy párnák használata csökkentheti a biztonságot.
- A berendezés hibás működése esetén ellenőrizze, hogy ezt nem az elhanyagolt karbantartás okozza-e. Ha ezt más körülmények okozzák, kérje a hivatalos szakember vagy szervizközpont segítségét.
- Amennyiben bebizonyosodik, hogy az alkatrészeket ki kell cserélni, biztosítson eredeti alkatrészeket hivatalos forgalmazóktól vagy ügynököktől.
- A berendezés biztonságos és pontos működése érdekében hagyja, hogy a hivatalos szakember vagy szervizközpont elvégezze az ütemezett karbantartást a kézikönyv vonatkozó részében található karbantartási táblázatnak megfelelően.
- A berendezést az előírásoknak eleget téve kell megsemmisíteni, mivel mérgező vagy káros anyagokat bocsáthat ki (akkumulátorok, stb.), és ezeket speciális központokban kell leadni a vonatkozó törvényeknek és rendeleteknek megfelelően (kérjük, hivatkozzon a készülék megsemmisítése részre).

MŰSZAKI ADATOK

Modell	AS430B	AS510B
Berendezés magassága	980 mm	
Tisztavíz tartály kapacitás	40 liter	
Piszkosvíz tartály kapacitás	40 liter	
Kerékátmérő	200 mm	
Segédkerék átmérő	76 mm	
Vákuumrendszer motor teljesítménye	350 W	
Maximális lejtő munka közben	2% (max.)	
Zajszint a munkaállomáson	70 dB (A) ±3 dB (A)	
Standard akkumulátorok	(2×12 V) 24 V 85 Ah AGM	(2×12 V) 24 V 105 Ah AGM
Akkumulátortartó rekesz mérete (SzxHxM)	340 x 330 x 260 mm (max.)	
Vákuumrendszer kapacitása	1200 mm H ₂ O	
Tisztítási szélesség	430 mm	510 mm
Felszívófej szélessége	730 mm	790 mm
Berendezés maximális hossza	1060 mm	1100 mm
Berendezés szélessége felszívófej nélkül	480 mm	540 mm
Kefeátmérő	430 mm	510 mm
Súly akkumulátorokkal és üres tartályokkal	112 kg	128 kg
A használatra kész berendezés bruttó súlya	152 kg	168 kg
Kefemotor teljesítménye	550 W	560 W
Kefe sebessége	150 fordulat/perc	
Kefe-/padtartó maximális nyomása	30 kg (max.)	35 kg (max.)
Csomagolás mérete (H x Sz x M)	1200 x 610 x 1170 mm (max.)	

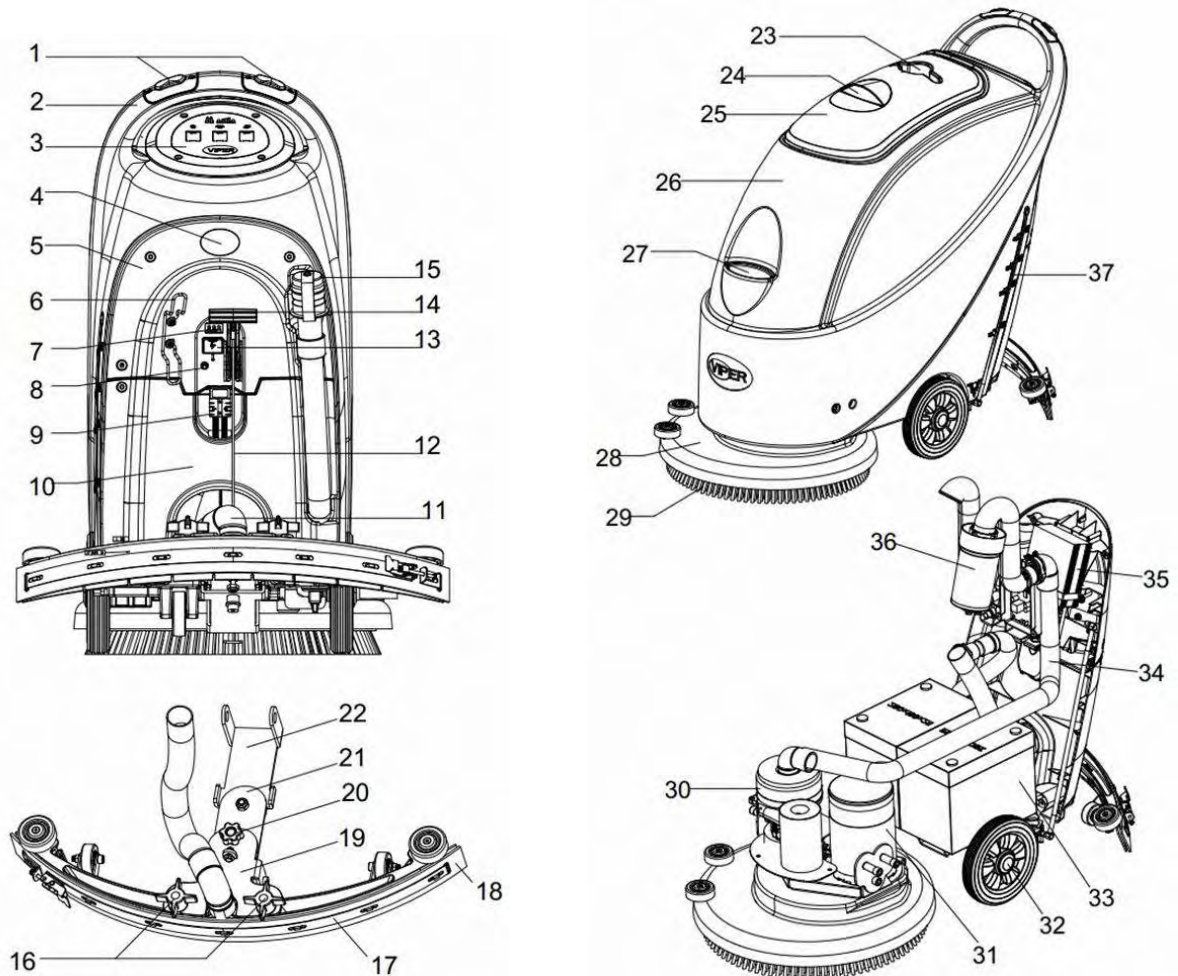
BERENDEZÉS LEÍRÁSA

BERENDEZÉS FELÉPÍTÉSE

- | | |
|---|---|
| 1. Biztonsági kapcsológomb | 20. Felszívófej beállító kerék |
| 2. Fogantyú | 21. Felszívófej hátsó támaszkerete |
| 3. Kezelőpanel | 22. Felszívófej elülső támaszkerete |
| 4. Sorozatszám címke / Műszaki adatok / Megfelelőségi tanúsítvány | 23. Tartó |
| 5. Ellenőrző fedél | 24. Piszkosvíz tartály-fedél fogantyúja |
| 6. Kábeltartó (*) | 25. Piszkosvíz tartály-fedél |
| 7. Akkumulátortöltési jelzőfény | 26. Tartály |
| 8. Visszaállító kapcsoló | 27. Vízbemenet fedele |
| 9. Akkumulátor csatlakozó | 28. Kefevédő |
| 10. Akkumulátor fedél | 29. Kefe-/padtartó |
| 11. Felszívó cső | 30. Vákuumrendszer motorja |
| 12. Felszívófejemelő bowden | 31. Kefemotor |
| 13. Akkumulátor-csatlakozó biztonsági fedele | 32. 8" kerék |
| 14. Felszívófej emelő kar | 33. Akkumulátor |
| 15. Leeresztő tömlő | 34. Vákuumcső |
| 16. Felszívófej rögzítő csavar | 35. Töltő (*) |
| 17. Felszívógumirögzítő | 36. Lebegő szűrő |
| 18. Felszívógumi | 37. Vízszintmérő cső (atisztavíz tartályban lévő vízszint mutatósára) |
| 19. Felszívófej támaszkerete | |

(*) csak a már beépített töltővel rendelkező berendezéseknél (opcionális)

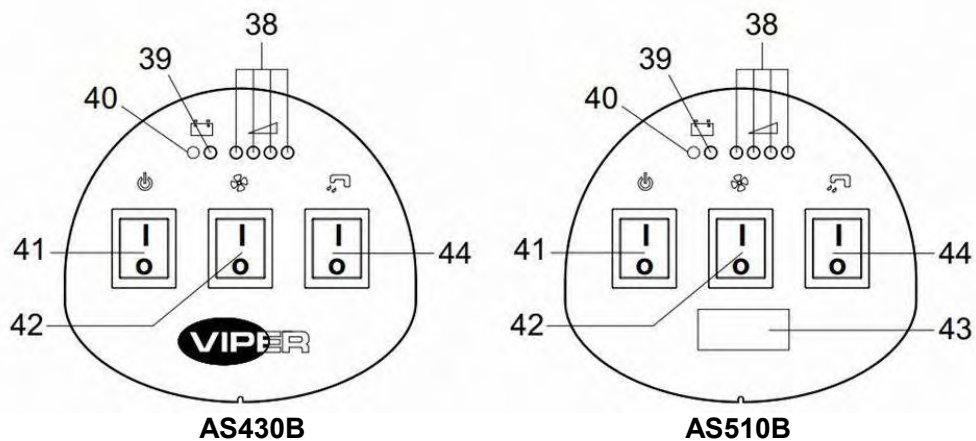
BERENDEZÉS-SZERKEZETI ÁBRÁK



1. ábra

KEZELŐPANEL (2. ábra)

- 38. Akkumulátor-töltöttségi jelző (zöld, ha fel van töltve)
- 39. Kimerült akkumulátorszint jelzőfény (piros)
- 40. Kimerült akkumulátorszint jelzőfény (piros)
- 41. Főkapcsoló
- 42. Felszívó motorkapcsoló
- 43. Munkaóra számláló (opcionális, a kefe használati idejének mérésére szolgál)
- 44. Víz adagolás kapcsoló, víz be/ki

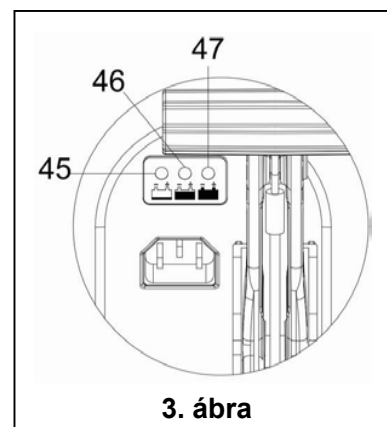


2. ábra

TÖLTÉSJELZŐ FÉNY KIJELEZÉSE (3. ábra)

(Opcionális, beépített töltővel rendelkező modelleknél)

1. A töltés megkezdésekor a töltő piros jelzőfénye (45) néhányszor villan, majd folyamatos piros fénnel világít, belépve a töltés első szakaszába;
2. Rövid töltés után a piros jelzőfény a töltőn (45) kialszik, és folyamatos sárga jelzőfény (46) gyullad ki: belépés a töltés második szakaszába;
3. Körülbelül 10 órányi töltés után a bíbor színű jelzőfény (46) kialszik, a zöld jelzőfény (47) kigyullad és folyamatosan ég, jelezve ezzel, hogy az akkumulátor feltöltődött és a töltés befejeződött.



MEGJEGYZÉS

- 1) Töltés közben, ha a sárga jelzőfény villog: az akkumulátor típusa nem kompatibilis a töltővel, az akkumulátor nincs megfelelően csatlakoztatva, vagy a kimeneti csatlakozón rövidzárlat történt.
- 2) Ha a piros jelzőfény még mindig villog: rövidzárlat a töltőn belül. (Részletekért kérjük, hivatkozzon a töltőutasítások vonatkozó részeire.)

HASZNÁLATI ÚTMUTATÓ



FIGYELMEZTETÉS

A berendezés egyes részeire figyelmeztető jelölések vannak elhelyezve:

- VESZÉLY
- FIGYELMEZTETÉS
- FIGYELEM
- KONZULTÁCIÓ

A kézikönyv olvasásakor a kezelőnek különösen figyelnie kell az ezeken a jelzéseken megtalálható szimbólumokra.

Ezeket a jelzéseket semmilyen körülmények között ne takarja el. Sérülésük esetén azonnal cserélje ki őket.

AZ ÚJ BERENDEZÉS AKKUMULÁTORÁNAK BEHELYEZÉSE ÉS BEÁLLÍTÁSA



FIGYELMEZTETÉS

Ha az akkumulátort helytelenül helyezi be vagy pontatlanul csatlakoztatja, a berendezés elektromos részei súlyosan megsérülhetnek. Az akkumulátort csak szakképzett szakember helyezheti be. Az akkumulátor modellszámától függően (WET vagy GEL) állítsa be a megfelelő áramkör lapot és beépített töltőt (opcionális).

**Behelyezés előtt ellenőrizze, hogy az akkumulátor nem sérült-e.
Húzza ki az akkumulátor csatlakozóját és a beépített töltő csatlakozóját.
Az akkumulátor megérintésekor legyen óvatos.**

Ez a berendezés két (2) 12 V-os akkumulátorral működik. Kérjük, a jobb oldali 4. számú ábra szerint csatlakoztassa.

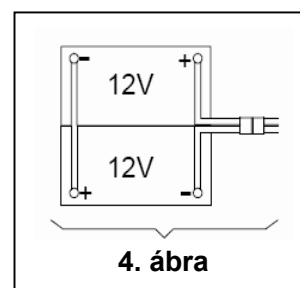
Ez a berendezés a következő modellek ellátására képes:

a) Az akkumulátorok (WET vagy GEL/ALM) már be vannak helyezve és bármikor használhatók.

1. Ellenőrizze az akkumulátort. A csatlakozón (9) keresztül csatlakoztassa az akkumulátort a berendezéshez.
2. (Csak az AS430B és AS510B modelleknél áll rendelkezésre): Nyomja meg a be/ki kapcsolót (41). Ha a zöld jelzőfény világít, az akkumulátor használatra kész.

Ha a bíbor színű vagy piros jelzőfény világít, az akkumulátort tölteni kell. (A vonatkozó eljárások tekintetében hivatkozzon a karbantartással foglalkozó részre.)

b) Akkumulátorok nélkül

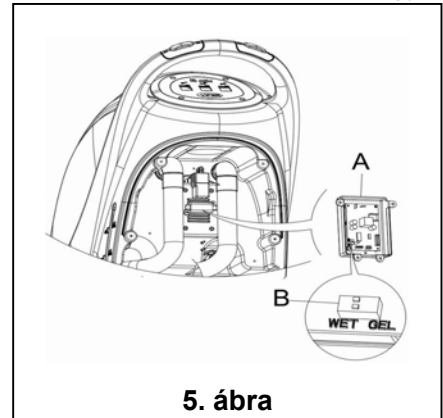


1. Vásároljon egy hasonló akkumulátort (hivatkozzon a Műszaki adatok részre). Az akkumulátor-választási információkkal kapcsolatosan kérje szakképzett akkumulátor kereskedő véleményét.
2. Állítsa be a berendezést és a beépített töltőt (opcionális) az akkumulátorok típusának megfelelően (WET vagy GEL/AGM). Olvassa el a következő, az akkumulátor behelyezéséről szóló bekezdést is.

AKKUMULÁTOR BEHELYEZÉSE ÁS AZ AKKUMULÁTOR TÍPUS BEÁLLÍTÁSA (WET VAGY GEL/AGM)

Az akkumulátor típusának megfelelően (WET vagy GEL/AGM) állítsa be az áramkör lapot a beépített töltőn. Az eljárások a következők:

1. Ellenőrizze, hogy az akkumulátor csatlakozója le van-e csatlakoztatva. Ha a berendezés a gyár elhagyását követően "AGM" alapú, menjen közvetlenül a 8. lépésre, ellenkező esetben végezze el a 2., 3. és 4. lépést.
2. Vegye le a leeresztő tömlőt (15)
3. Ha rendelkezik beépített töltővel, vegye le a töltőhuzalt a reléről.
4. Vegye le az ellenőrző fedelet (5) és az akkumulátor fedél (10) csavarjait. Csavarozza le a PCB állvány csavarjait. A PCB lap felhajtásakor látható az akkumulátor modell beállítására szolgáló DIP kapcsoló (B). (lásd: **5. ábra**)
5. Állítsa a mikro DIP kapcsolót (B) "WET" állásba,
6. Végezze el a 3., 4. és 5. lépést fordított sorrendben.



5. ábra

Akkumulátorok behelyezése

7. Csatlakoztassa le az akkumulátor csatlakozót (9).
8. Nyissa fel a segéd tartály fedelét (25) és ellenőrizze, hogy a segéd tartály üres-e vagy sem; ha nem, a leeresztő tömlőn (15) keresztül ürítse ki.
9. Csavarozza le a felszívó fejet (16), vegye le a Felszívó csövet(11) a felszívófejjel összekötő csatlakozót, majd vegye le a felszívó fejet.
10. Csavarozza le az akkumulátor fedél (10) csavarjait és vegye le a fedelet.
11. Csavarozza le a felszívófej emelő bowdent(12) felszívó fejkerethez (19) kapcsolódó csatlakozóját és akassza fel a felszívófej emelő bowdent.
12. Akassza fel a leeresztő tömlőt (15) és a felszívó csövet(11).
13. Az akkumulátor méretének megfelelően nyomja a rögzítő lemezt az akkumulátortartó rekeszben teljesen be.

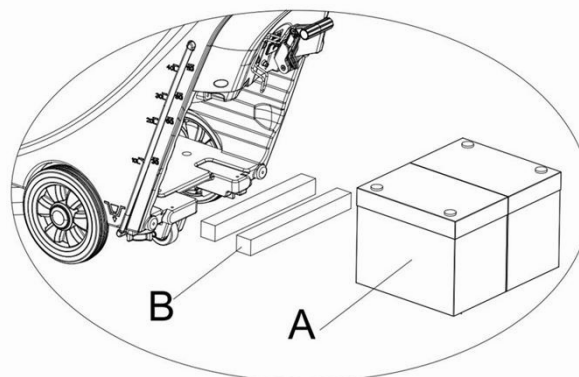


MEGJEGYZÉS

Az akkumulátor mérete nem haladhatja meg a következő értéket: M x Sz x H: 330 mm x 170 mm x 260 mm.

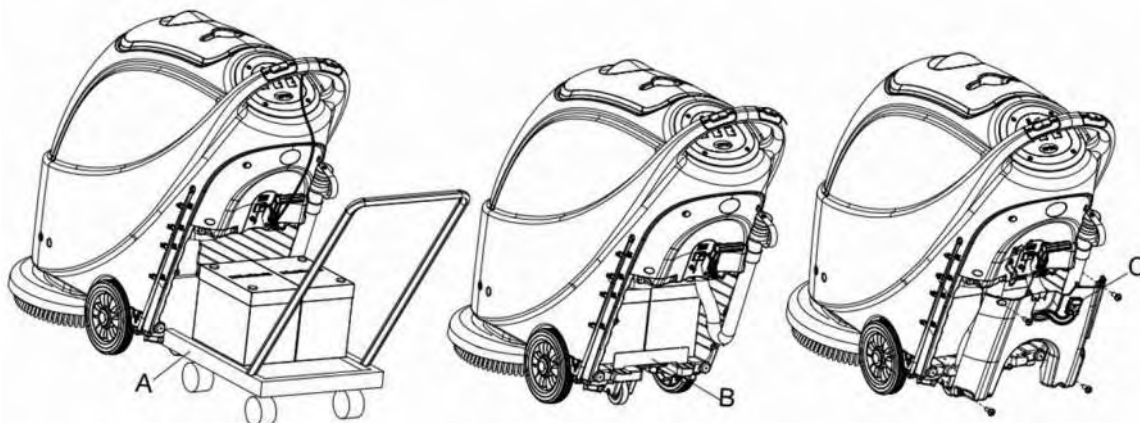
Az akkumulátorok különböző méreteinek megfelelően a fix akkumulátorok kiválasztási követelményei a következők:

- 1) A 270 mm-nél kisebb hosszúságú akkumulátornál használjon 2 darab rögzítő lemezt (**B, 6. ábra**), és helyezze őket egymás mellé a víztartály akkumulátorba;
- 2) A 270-310 hosszúságú akkumulátornál használjon 1 darab rögzítő lemezt (**B, 6. ábra**), és helyezze a víztartály akkumulátorba;
- 3) A 310-330 mm hosszúságú akkumulátornál nincs szükség rögzítő lemezre a pozíció rögzítéséhez.



6. ábra

14. Speciális akkumulátor-beszerelési eszközök segítségével helyezze be az akkumulátort (A, 7. ábra). Ha az akkumulátor be van helyezve, vegye ki az akkumulátor-behelyezési eszközöket és szerelje be az akkumulátor rögzítő kapcsot (B, 7. ábra).



7. ábra

15. Dugja át az akkumulátor csatlakozót (C, 7. ábra) az akkumulátortartó fedelén lévő lyukon, dugja át a leeresztő tömlőt az akkumulátortartó fedél jobb oldali lyukán, 4 csavar segítségével rögzítse az akkumulátortartót, majd szerelje fel a felszívófej emelő bowdent, a leeresztő tömlőt és a felszívó fejet.

Akkumulátor töltése

16. Az akkumulátor töltéséhez (hivatkozzon a karbantartás részben ismertetett lépésekre).

A KÉSZÜLÉK BEKAPCSOLÁSA ELŐTT

A KEFE-/PADTARTÓ BESZERELÉSE ÉS LEVÉTELE



MEGJEGYZÉS

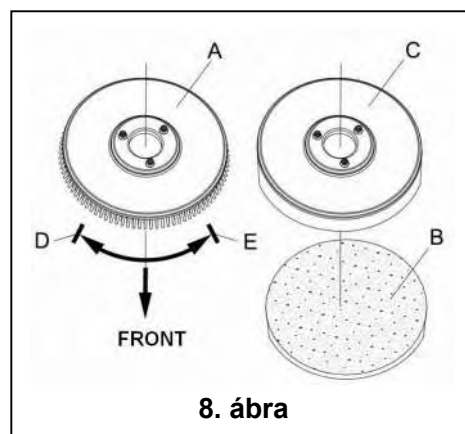
A tisztítandó padlás típusától függően a berendezés ellátható kefével (8. ábra, A) vagy pártatartóval (8. ábra, B és C).



FIGYELEM!

A kefe/padtartó kézi beszerelésekor/kivételekor előbb ellenőrizze, hogy minden kapcsoló kikapcsolt állapotban van-e, majd emelje fel a felszívó fejet a padlóról, és csak ezt követően dolgozhat a kefével vagy padtartóval. A szilánkok által okozott vágási sérülések elkerülése érdekében használjon védőkesztyűt.

1. (Csak AS430B és AS510B modelleknél áll rendelkezésre): bizonyosodjon meg arról, hogy a kapcsoló (41) kikapcsolt (O) állásban van.
2. Nyomja le a fogantyút (2) a tartály (26) felemeléséhez.
3. Helyezze a keféét (A) vagy padtartót (B – C) a tartály alá.
4. Használja a fogantyút (2) a tartály (26) leengedéséhez, hogy az érintkezzen a kefével vagy padtartóval.
5. A kefe/padtartó automatikus felhelyezéshez fordítsa el a tápkapcsolót (41) "I" állásba és nyomja meg a biztonsági kapcsolót (1). Óvatosan tolja a berendezést előre, hogy a kefeagy a tartály alján a felszerelni kívánt keféhez vagy padtartóhoz igazodjon. Ezt követően engedje el a biztonsági kapcsolót. Szükség esetén ismételje meg ezt az eljárást, amíg a keféet/padtartót fel nem szerelte.
6. Ha a fenti 5. lépés nehéznek bizonyul, a kefe/padtartó felszereléséhez használja a kézi módszert a nyíl (D) követésével (ahogy a 8. ábrán látható).

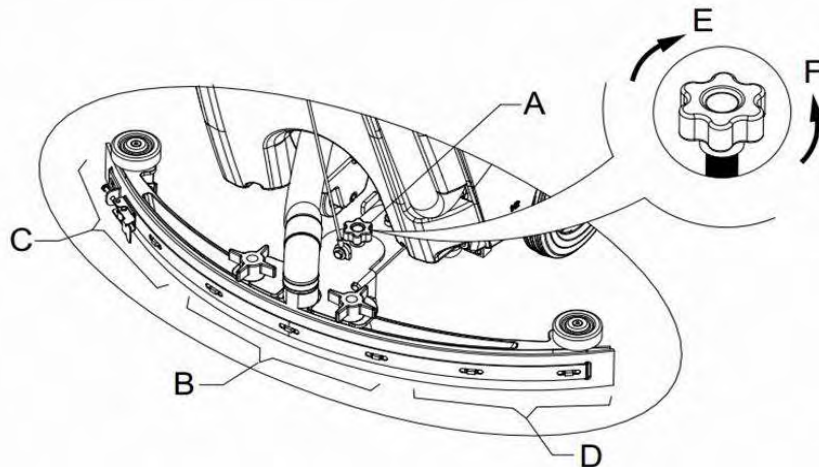


8. ábra

7. A kefe/padtartó automatikus levételéhez fordítsa el a tápkapcsolót (41) "O" állásba. Kezével fogja meg a fogantyút, nyomja a berendezést lefelé, amíg a segédkerék a padlóhoz nem ér, és a kefe/padtartó a levegőben nem lóg. Kapcsolja a tápkapcsolót (41) "I" állásba, és nyomja meg a biztonsági kapcsolót, hogy a kefe vagy padtartó forgatható legyen, amíg a kefe/padtartó a padlóhoz nem ér.
8. Ha a fenti 7. lépés nehéznek bizonyul, használja a kézi módszert és fordítsa el a kefé/padtartót a normál iránnyal ellenkező irányba, amíg az levehető nem lesz (ahogy a **8. ábra** látható).

A FELSZÍVÓ FEJFELSZERELÉSE

9. Helyezze be a felszívó fejet és húzza meg a csavart. Ezt követően csatlakoztassa a felszívó csövet a felszívó fejhez.
10. A felszívó fej beállító csavar (A) segítségével állítsa be a felszívó fejet (lásd: **9. ábra**).
 - 1) Ha a hátsó felszívó gumi középső része (B rész) nem érintkezik a padlóval vagy a relatív nyomás lefelé viszonylag alacsony, állítsa be a csavart az óramutató járásával ellentétes irányba, amíg a felszívó gumiteljes része nem érintkezik megfelelően a padlóval. Az elsőfelszívó guminakgyengéden érintkeznie kellene a padlóval.
 - 2) Ha a hátsó felszívó gumikét vége (C és D rész) nem érintkezik a padlóval vagy a relatív nyomás lefelé viszonylag alacsony, állítsa be a csavart az óramutató járásának megfelelő irányba, amíg a hátsó felszívó gumiteljes része nem érintkezik megfelelően a padlóval. Az elsőfelszívó gumi gyengéden érintkeznie kellene a padlóval.



9. ábra

Tisztavíz tartály megtöltése



FIGYELEM!

Csak alacsony habzású, nem gyúlékony tisztítószerket használjon. Ezeknek a tisztítószernek tisztítógépekben használhatóaknak kell lenniük.

11. Nyissa ki a vízbetöltő fedelet (27) és töltsön bele vizet atisztavíz tartályba. A tartályt ne töltsen túl. A vizet elegendő a vízbetöltő szűrő tartójáig tölteni. A tisztító oldatok készítésekor figyeljen az anyagok gyártói által javasolt hígítási arányra, és a víz hőmérséklete nem haladhatja meg a 40^o C-ot.

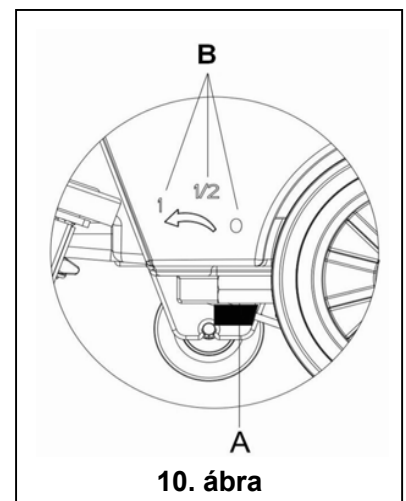
AZ ÁTFOLYÓ VÍZMENNYISÉG SZABÁLYOZÁSA



FIGYELMEZTETÉS!

A vízszelap fogantyú (A, 10. ábra) szabályozását akkor kell végezni, amikor a tápkapcsoló (41) "O" helyzetben van.

12. Az átfolyó vízmennyiség beállítását a gömbszelep vízszelap (A, 10. ábra) kell végezni a padló tisztításához szükséges vízmennyiség szerint.



10. ábra

BERENDEZÉS INDÍTÁSA ÉS LEÁLLÍTÁSA

A berendezés indítása

1. A fentiek szerint végezze el az előkészületeket.
2. Állítsa a főkapcsolót (41) "I" állásba.
3. A Felszívófej emelő kar (14) segítségével engedje le a felszívófejt.
4. Nyomja a Felszívó motor kapcsolót (42) "I" állásba.
5. Nyomja a Vízadagoló kapcsolót (44) "I" állásba. (Ezzel párhuzamosan dolgozzon a biztonsági kapcsolóval (1) a vízadagolás vezérléséhez.)
6. Fogja a biztonsági kapcsolót (1) és tolja meg a berendezést. A kefe (29) elkezd forogni, és a berendezés megkezdja a tisztítást.



KONZULTÁCIÓ: A berendezés tolása

A berendezés egyik jellegzetessége a két beépített biztonsági kapcsoló a fogantyú mindkét oldalán. Mindkét biztonsági kapcsoló képes önállóan vezérelni a kefe működését. Használat közben megkönnyíti a berendezés működtetésének vezérlését.

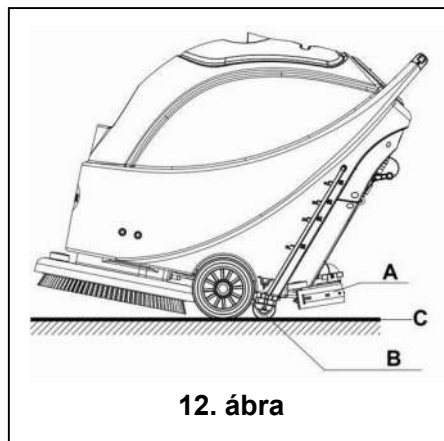
A tapasztalatok alapján elmondható, hogy jobbra, a 11. ábra bemutatott berendezés mozgatási mód megfelelőbb, a felhasználóknak kényelmesebb, és a fáradtság kisebb. Ezért javasoljuk, hogy a felhasználók ilyen módon mozgassák a berendezést.



11. ábra

A berendezés kikapcsolása

7. Amikor befejezte a berendezés használatát, előbb vegye le a kefé/padtartót (hivatkozzon a kefe/padtartó felhelyezését/levételét ismertető részre)
8. Engedje el a biztonsági kapcsolót (1) a kefe/padtartó és a vízadagolás kikapcsolásához.
9. Állítsa a felszívó motor kapcsolót (42) "O" állásba, és a motor 5 másodperc késéssel megáll.
10. Nyomja a vízmennyiség-szabályozó kapcsolót (44) "O" állásba a vízadagolás teljes kikapcsolásához.
11. Nyomja a főkapcsolót (41) "O" állásba.
12. A Felszívófej emelő kar (14) segítségével emelje fel a felszívófejt.
13. Markolja meg a fogantyút (2) és óvatosan billentse hátra a berendezést, amíg a segédkerék (B) a padlóhoz nem ér. Lásd: 12. ábra.



12. ábra

A BERENDEZÉS MŰKÖDTETÉSE (SÚROLÁS ÉS FELSZÍVÁS)

1. A fenti leírásnak megfelelően kapcsolja be a berendezést.
2. Fogja a biztonsági kapcsolót (1) (a 11. ábra bemutatottak szerint), tolja előre a berendezést és kezdje el a tisztítást.
3. Szükség esetén kapcsolja ki a berendezést és állítsa be a gumitörlő fogantyúját. (Hivatkozzon a felszívó fejbeállítására vonatkozó lépésekre.)
4. Szükség esetén kapcsolja ki a berendezést és a vízadagoló szelep segítségével állítsa be a vízfolyás erősségét. (Hivatkozzon a vízfolyás-mennyiség beállítására vonatkozó lépésekre.)



FIGYELEM!

A padló sérülésének elkerülése érdekében, amikor a berendezés egy helyben áll és nem dolgozik, kapcsolja ki a főkapcsolót (41).

Akkumulátor lemerülése működtetés közben

5. Ez csak olyankor történik, amikor a zöld figyelmeztető fény (38) folyamatosan világít, ami azt jelenti, hogy az akkumulátor töltöttségi szintje nem elegendő a berendezés normál működéséhez.



MEGJEGYZÉS

Amikor mind a négy zöld fény (38) világít, az akkumulátor teljesen fel van töltve. Amikor csak az utolsó zöld fény (38) világít és elkezd villogni, kezdje el tölteni az akkumulátort, mivel a berendezés néhány perc múlva automatikusan leáll. Miután az utolsó zöld fény (38) kialudt és a piros jelzőfény (39 és 40) elkezd villogni, a berendezés néhány másodpercen belül automatikusan leáll. (Hivatkozzon a vonatkozó lépésekre a karbantartás részben).



FIGYELEM!

Ne használja az akkumulátort, ha annak tápellátása elégtelen, hogy elkerülje az akkumulátor sérülését és az akkumulátor élettartamának lerövidülését.

TARTÁLY ÜRÍTÉSE

Amikor a segédtartály megtelt, az úszó automatikus kikapcsoló eszköz (36) blokkolni fogja a vákuumpumpához csatlakozó bemenetet. A vákuumpumpából kijövő hangos zajból megítélhető, hogy a vákuumpumpa már túlterhelt, és szükség van a szennyvíz azonnali kiengedésére.



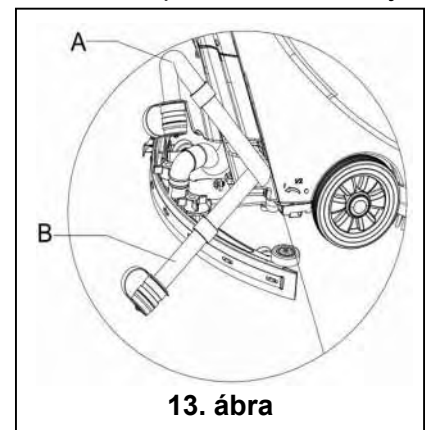
FIGYELEM!

Ha a felszívómotor hirtelen kikapcsol (pl. azért, mert a berendezést hirtelen megmozdították, ez pedig az úszó eszköz aktiválását okozta) és szükség van a működés visszaállításához, végezze el a következő lépéseket: nyomja meg a főkapcsolót (41 és 42) a tápellátás és a felszívómotor kikapcsolásához, majd nyissa fel a piszkosvíz tartály fedelét (25) annak ellenőrzéséhez, hogy az úszó szűrő visszatért-e a víz felszínére. Ezt követően zárja le a piszkosvíz tartály fedelét (25) és nyomja meg a főkapcsolót (41 és 42) a tápellátás és a felszívómotor bekapcsolásához.

Amikor a piszkosvíz tartály teljesen megtelt szennyvízzel, kövesse az alábbi lépéseket annak teljes kiürítéséhez.

Piszkosvíz tartály ürítése

1. Kapcsolja ki a berendezést.
2. A felszívófej emelő kar (14) segítségével emelje fel a felszívó fejet.
3. Vigye a berendezést a kért leeresztési helyre.
4. Markolja meg a fogantyút (2) és óvatosan billentse hátra a berendezést, amíg a segédkerék a padlóhoz nem ér. (A berendezés dokkolásához kérjük, hivatkozzon a berendezés leállítása részben található eljárásokra.)
5. Vegye le a leeresztő tömlőt a rögzítő kapocsról, hajlítsa be a leeresztő tömlő tetejét (lásd: **A, 13. ábra**), majd nyissa fel a leeresztő tömlő kupakját és hajtsa le leeresztő tömlőt a víz leeresztéséhez. Másik megoldásként helyezze a leeresztő csövet közvetlenül alacsonyra vagy a talajra úgy, hogy a vízkieresztő nyílás lefelé nézzen (lásd: **B, 13. ábra**), majd csavarja le a vízleeresztő kupakot a tartályban lévő szennyvíz leeresztéséhez. A leeresztés befejezését követően tiszta vízzel tisztítsa ki a piszkosvíz tartály belsejét.



13. ábra



FIGYELEM!

A szennyvíz leeresztésekor a szennyvíz leeresztőcsövét le vagy be kell hajtani (ahogy az a 13. A vagy B ábrán látható), majd nyissa fel a leeresztőcső kupakját a szennyvíz leeresztéséhez. Ne hagyja, hogy a leeresztőcső kimenete felfelé nézzen, hogy a vizet függőlegesen eressze ki. Ezzel megelőzhető a szennyvíz ráöntése a felhasználóra.

Tisztavíz tartály kiürítése

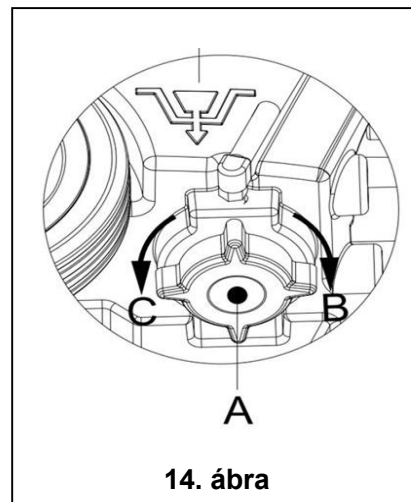
6. Végezze el az 1-4. lépést.

7. A **14. ábra** szerint fordítsa el az tisztavíz tartály kupakját (A) az óra mutatójával ellentétes (C) irányba, és teljesen eressze le az tisztavíz tartályt. Használjon tiszta vizet a tartály belsejének megtisztítására. Amikor befejezte a munkát, szorosan csavarja be az tartály (A) kupakját az óra járásának megegyező (B) irányba.

A BERENDEZÉS HASZNÁLATA UTÁN

Miután befejezte a munkát, és mielőtt távozik a berendezéstől, végezze el a következő lépéseket:

1. Kövesse az előző részben ismertetett eljárást a kefe/padtartó felhelyezésével és eltávolításával kapcsolatosan, és távolítsa el a kefét/padtartót.
2. Kövesse a vonatkozó részekben leírt eljárásokat, teljesen eressze le a vizet az tisztavíz tartályból és a piszkosvíz tartályból.
3. Végezze el a napi karbantartási eljárásokat (hivatkozzon a karbantartási részre).
4. A berendezést, beleértve a kefét/padtartót és felszívófejet, tárolja tiszta és száraz helyen. A felszívó fejet fel kell emelni vagy leszerelni.



14. ábra

INAKTIVITÁSI IDŐSZAKOK

Ha a berendezést 30 napnál tovább nem fogja használni, a következő módon kezelje:

1. Végezze el a berendezés használatát követően elvégzendő eljárásokat.
2. Csatlakoztassa le az akkumulátort a berendezéshez csatlakoztató csatlakozót (9).
3. Az akkumulátor sérülésének elkerülése érdekében, és ha a berendezést 3 hónapnál tovább nem fogja használni, az akkumulátort egyszer 3 havonta töltsse fel.

ELSŐ HASZNÁLAT

Az első 9 órányi használat után ellenőrizze az összes alkatrészt és bizonyosodjon meg arról, hogy egyik sem lazult ki vagy sérült meg a használat során, és ellenőrizze, nincs-e látható sérülés vagy szivárgás.

KARBANTARTÁS ÉS ÁPOLÁS

A helyes és rendszeres karbantartással és ápolással biztosított a berendezés szervizideje és maximális működtetési biztonsága.

A következő táblázatban a berendezés tervezett általános karbantartási műveletei láthatók. A karbantartási időközöket nagy mértékben a berendezés használatának körülményei határozzák meg. Ezeket az időintervallumokat a karbantartásért felelős személynek kell meghatározni.



FIGYELMEZTETÉS!

Ezeket az eljárásokat csak akkor szabad elvégezni, miután kikapcsolta a berendezést és megszakította a berendezés és akkumulátor közti kapcsolatot. A karbantartási eljárások elvégzése előtt figyelmesen olvassa el a vonatkozó biztonsági részeket.

Minden tervezett vagy kiegészítő karbantartási műveletet szakképzett szakembernek vagy szervizközpontnak kell elvégeznie.

Ez a kézikönyv csak a legegyszerűbb és leggyakoribb karbantartási eljárásokat ismerteti.

A tervezett karbantartási táblázatban nem szereplő karbantartási műveletekkel kapcsolatosan hivatkozzon a szervizközpont karbantartási kézikönyvére.

ÜTEMEZETT KARBANTARTÁSI TÁBLÁZAT

Eljárás	Naponta, Berendezés használat után	Hetente	Minden 6 hónapba n	Évente
Akkumulátor feltöltése				
Felszívó fej tisztítása				
Kefe-/padtartó tisztítása				
Víztartály és úszó szűrő tisztítása, a víztartály tömítéseinek ellenőrzése				
Felszívó gumi ellenőrzése és cseréje				
Tisztívízszűrő tisztítása				
Felszívó motor szűrő tisztítása				
Savas akkumulátor folyadékszintjének ellenőrzése				
Csavarok és anyák behúzásának ellenőrzése			(1)	
Motor szénkefe vagy kefe/párnatartó ellenőrzése vagy cseréje				(2)
Felszívó motorszénkefájének ellenőrzése vagy cseréje				(2)

(1) A berendezés első bekapcsolását követő 9 óra elteltével kell elvégezni.

(2) Ezeket a karbantartási eljárásokat hivatalos VIPER szervizközpontnak kell elvégeznie.

AKKUMULÁTOR TÖLTÉSE

**MEGJEGYZÉS**

Amikor kigyullad a bíbor színű vagy piros figyelmeztető jelzőfény, vagy miután befejezte a munkát, töltsse fel az akkumulátort.

**FIGYELEM!**

Az akkumulátor élettartamának meghosszabbításához az akkumulátort mindig tartsa feltöltve.

**FIGYELEM!**

Amikor az akkumulátor töltöttsége elégtelenné válik, a lehető leghamarabb fel kell töltenie azt. Kérjük, legalább egyszer hetente ellenőrizze a töltőt.

**FIGYELEM!**

Amennyiben a berendezés nem rendelkezik beépített töltővel, válasszon egy megfelelő külső töltőt az akkumulátor feltöltéséhez.

**FIGYELMEZTETÉS!**

Az akkumulátor töltésekor különös óvatossággal kell eljárni, mivel a töltési folyamat során savszivárgás fordulhat elő. Az akkumulátor sava korrozív. Ha érintkezik a bőrével vagy szemével, mossa meg bő vízzel és keressen fel egy orvost.

- Nyissa fel a piszkosvíztartály fedelét (25) és ellenőrizze, hogy a tartály üres-e. Ha nem üres, a leeresztő tömlő segítségével eressze le. (15).
- Vigye a berendezést a kért töltési helyre.
- A berendezés kikapcsolásához nyomja a főkapcsolót (41) "O" állásba.
- Csak Savas víz hozzáadású akkumulátornál érvényes.
 - Ellenőrizze az akkumulátor elektrolit szintjét. Szükség esetén a kupakon keresztül töltsse fel.
 - Valamennyi kupakot hagyjon nyitva.
 - Szükség esetén tisztítsa meg az akkumulátor felületét.
- A használt elem modelljének megfelelően válassza ki az alábbi eljárások egyikét az akkumulátor feltöltéséhez.

Akkumulátor töltése külső töltővel

6. A vonatkozó kézikönyvben ellenőrizze, hogy a külső töltő megfelelő-e. A kimenő feszültségnek DC 24 V-nek kell lennie.
7. Csatlakoztassa az akkumulátor csatlakozóját a külső csatlakozóhoz, és a külső csatlakozót a tápforráshoz.
8. A töltés befejezésekor csatlakoztassa az akkumulátor töltő csatlakozóját a berendezéshez.

Akkumulátor töltése beépített töltővel (választható)

9. Vegye le a gumikupakot az akkumulátortöltő csatlakozó végéről.
10. Csatlakoztassa az akkumulátortöltő csatlakozó végét a tápforráshoz egy töltőkábel segítségével. (Tartsa szem előtt, hogy a beépített töltő feszültsége 220–240 V és a kimenő feszültség 24 V megfelel-e a követelményeknek.) Miután a töltőt csatlakoztatta a tápforráshoz, az összes többi funkció automatikusan kikapcsol. Ha a piros figyelmeztető jelzőfény a beépített töltőn továbbra is világít, az azt jelzi, hogy a töltő tölti az akkumulátort.
11. Amikor a zöld figyelmeztető jelzőfény (47) világít, az akkumulátor teljesen fel van töltve.
12. A töltés befejezésekor vegye le a csatlakozó kábelt az akkumulátortöltő csatlakozó végéről és a tápforrásról, és helyezze fel a gumikupakot.
13. Csatlakoztassa le a töltőt a tápforrásról, és csavarja a kábelt a relére (6).

**MEGJEGYZÉS**

Ha további információra van szüksége a beépített töltővel (35) kapcsolatosan, nézze meg a vonatkozó kézikönyvet.

FELSZÍVÓ FEJ TISZTÍTÁSA**MEGJEGYZÉS**

Ahhoz, hogy megmaradjon a felszívás optimális hatása, a felszívó fejet tisztán kell tartani, és a felszívó gumiknak jó állapotban kell maradnia.

**FIGYELEM!**

A felszívó fej tisztításakor védőkesztyű használatát javasolunk, mivel a felszívó fej éles szilánkokat tartalmazhat.

1. Vigye a berendezést egyenes és sima helyre.
2. A berendezés kikapcsolásához nyomja a főkapcsolót (41) "O" állásba.
3. Csavarozza le a felszívó fejet(16), vegye le a leeresztő csövet, majd vegye le a felszívó fejet.
4. A felszívó emelő kar (14) segítségével emelje fel a felszívó fej támaszkeretét.
5. Tisztítsa meg a felszívó fejet(15. ábra). Különösen tisztítsa meg a sánt (A, 15. ábra), a piszkot és a törmelékeket a felszívócsövön. Ellenőrizze, hogy az első felszívó gumi (C) és a hátsó felszívó gumi (D) sértetlen-e, nincs-e rajtuk törés vagy repedés. Szükség esetén cserélje ki (hivatkozzon a következő részben leírt lépésekre).
6. A fentiekkel fordított sorrendben helyezze vissza a felszívó fejet.

GUMITÖRLŐ PENGE ELLENŐRZÉSE ÉS CSERÉJE

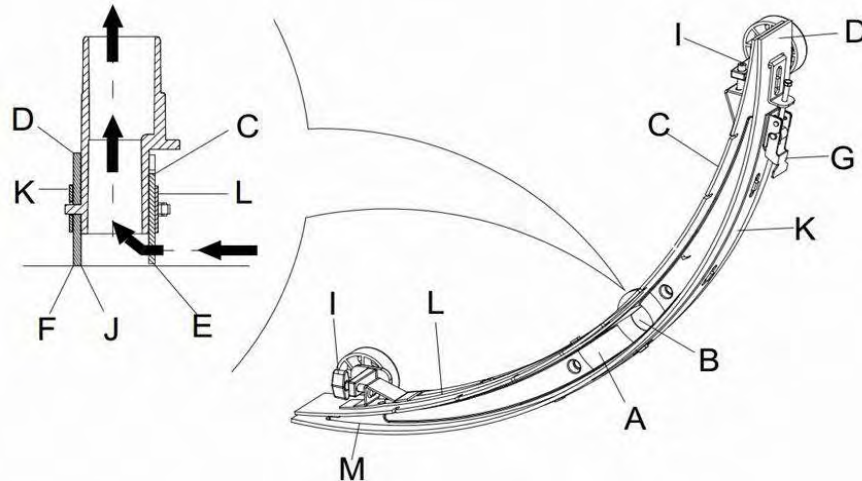
1. Kövesse az előző részre (felszívó fej tisztítása) vonatkozó módszereket (15. ábra).
2. Ellenőrizze az elsőfelszívó gumiélét (E, 15. ábra) és a hátsó felszívó gumi (D) élet (F). A teljes hosszukon azonos szinten kell lenniük. Ellenkező esetben az alábbi eljárással állítsa be azok magasságát.
 - Lazítsa ki a kapcsot (G) a hátsó felszívó gumi(D) leválásához a konzolról (M), hogy beállíthassa a felszívó gumi pozícióját. Beállítást követően ismét rögzítse a kapcsot.
 - Lazítsa ki a csavart(I), hogy beállíthassa az elsőfelszívó gumi(C); beállítást követően húzza meg a csavart.
3. Ellenőrizze, hogy az elsőfelszívó gumi(C) és a hátsófelszívó gumi(D) sértetlen-e, nincs-e rajtuk törés vagy repedés. Szükség esetén a következő módokon cserélje ki. Ellenőrizze a hátsó felszívó gumi (J) élet, nincs-e elhasználódva. Elhasználódás esetén behelyezhető fejfelé (a felső élének érintetlennek kell lennie). Ha a felső él is el van használódva, cserélje ki az alábbi eljárást követve:

- Lazítsa ki a kapcsot (G) a hátsófelszívó gumileválásához a konzolról (M), vegye le a kapocs rudat (K), majd cserélje ki vagy fordítsa fejjel lefelé a hátsó felszívó gumi(D). A levételhez képest fordított sorrendben helyezze vissza a hátsó felszívó gumit.
- Lazítsa ki a fogantyú csavart (I) és vegye le az első rögzítő sint (L), majd cserélje ki az elülső felszívó gumit(C).

A levételhez képest fordított sorrendben helyezze vissza az elülső felszívó gumit.

A felszívó gumitcseréjét (vagy fejjel lefelé történő felhelyezését) követően állítsa be az elülső és hátsó felszívó gumik szintjét a fentebb leírottak szerint.

4. Csatlakoztassa a felszívócsövet (11) a felszívófejhez.
5. Helyezze fel a felszívófejet és a csavar (16) segítségével rögzítse, majd csatlakoztassa a felszívócsövet a felszívófejhez.
6. Szükség esetén a beállítókerék (20) segítségével állítsa be a felszívófejt (hivatkozzon a felszívófej beállítására vonatkozó eljárásokra).



15. ábra

KEFE/PADTARTÓ TISZTÍTÁSA



FIGYELEM!

A kefe/padtartó tisztításakor védőkesztyű használatát javasolunk, mivel a éles szilánkokat tartalmazhatnak.

1. Az előző részekben leírottak szerint szerelje le a kefét/padtartót.
2. Víz és tisztítószer segítségével tisztítsa meg a kefét/padtartót.
3. Ellenőrizze a sörték állapotát a kefén, és szükség esetén cserélje ki a kefét.
4. Ellenőrizze a padtartó elhasználódását. Szükség esetén cserélje ki.

VÍZTARTÁLY ÉS ÚSZÓ SZŰRŐRÁCS TISZTÍTÁSA

1. Vigye a berendezést a kért helyre.
2. A berendezés kikapcsolásához nyomja a főkapcsolót (41) "O" állásba.
3. Nyissa fel a piszkosvíztartály fedelét (A, 16. ábra) és vegye ki az úszót (36) a tartályból.
4. Tiszta vízzel tisztítsa meg a tartály kupakját (A), a tartályt (B és C), és az úszó keretet (E). A leeresztőcső (15) segítségével eressze le a vizet a víztartályból.
5. Szükség esetén a "Nyitás" és "Zárás" szimbólumokat követve (a 16. ábra szerint) nyissa fel az úszó szűrő alsó kupakját (F) és tisztítsa meg az úszót (D), az úszó keretet (E) és a szűrőszivacsot (I). Tisztítás után rögzítse az úszót a keretre (E), igazítsa a jelölést (L) az úszó szűrő alsó kupakján (F) a jelöléssel (L) az úszó kereten (E). Szorítsa be az úszó szűrő alsó kupakját (F), majd rögzítse a szűrőszivacsot (I) az úszó keretre (E), majd pedig a szivócsőre (M).
6. Ellenőrizze a tömítő gyűrű (G) szorulását a víztartály fedelén.

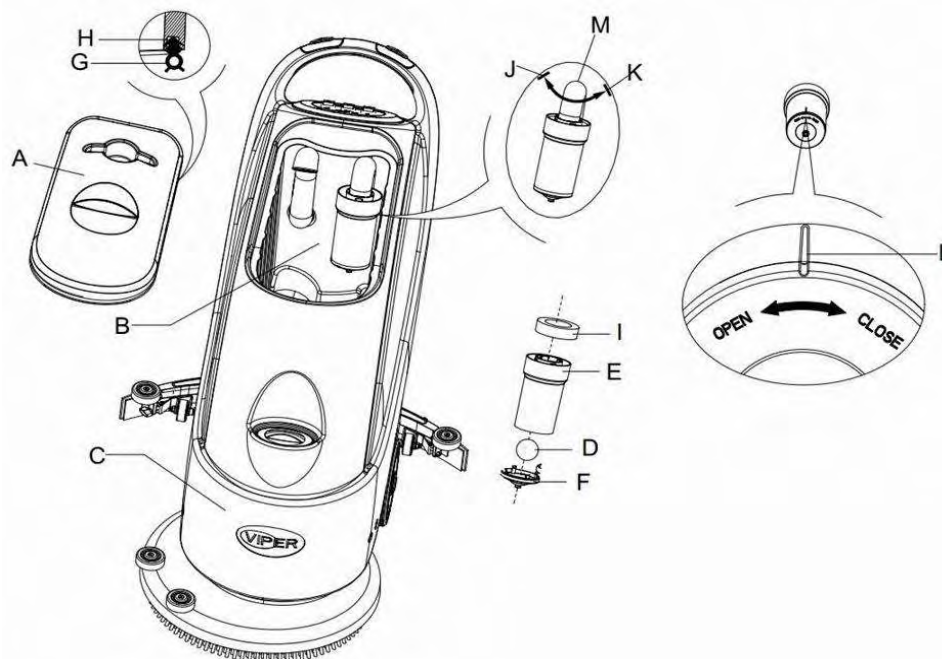


MEGJEGYZÉS

A víztartály tömítésének (G) köszönhetően a víztartályban vákuum keletkezik. Tökéletesen kell illeszkednie, hogy a padlóról hatékonyan tudja felszívni a szennyvizet.

Szükség esetén a víztartály (G) tömítését ki lehet venni a sínből (H) és ki lehet cserélni. Az új tömítés felhelyezésekor (a 16. ábra szerint lentebb) tegye a csatlakozót a hátsó rész középső részébe

7. Ellenőrizze, hogy a tömítés (G) fogadó felülete sértetlen-e és megfelelően tömít-e.
8. Zárja le a tartály fedelét (A).



16. ábra

TISZTAVÍZSZŰRŐ TISZTÍTÁSA

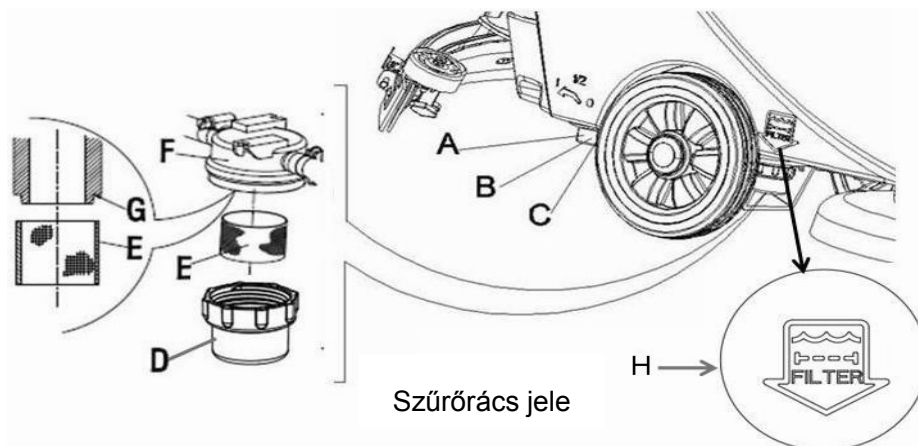
1. A vonatkozó részekben leírottaknak megfelelően engedje ki az összes vizet a tartályból.
2. Vigye a berendezést egyenes és sima talajra.
3. A berendezés kikapcsolásához nyomja a főkapcsolót (41) "O" állásba.
4. Zárja le a vízszelepet (A, 17. ábra) (a berendezés alján található, a kerekek mögött). A B szelepet nyissa meg, a C szelepet pedig zárja be.
5. Vegye le az átlátszó kupakot (D), majd vegye ki a szűrőt (E) és tisztítást követően helyezze a szűrődobozra (F):



MEGJEGYZÉS

A szűrőt (E) pontosan kell ráhelyezni a projekció (G) helyére.

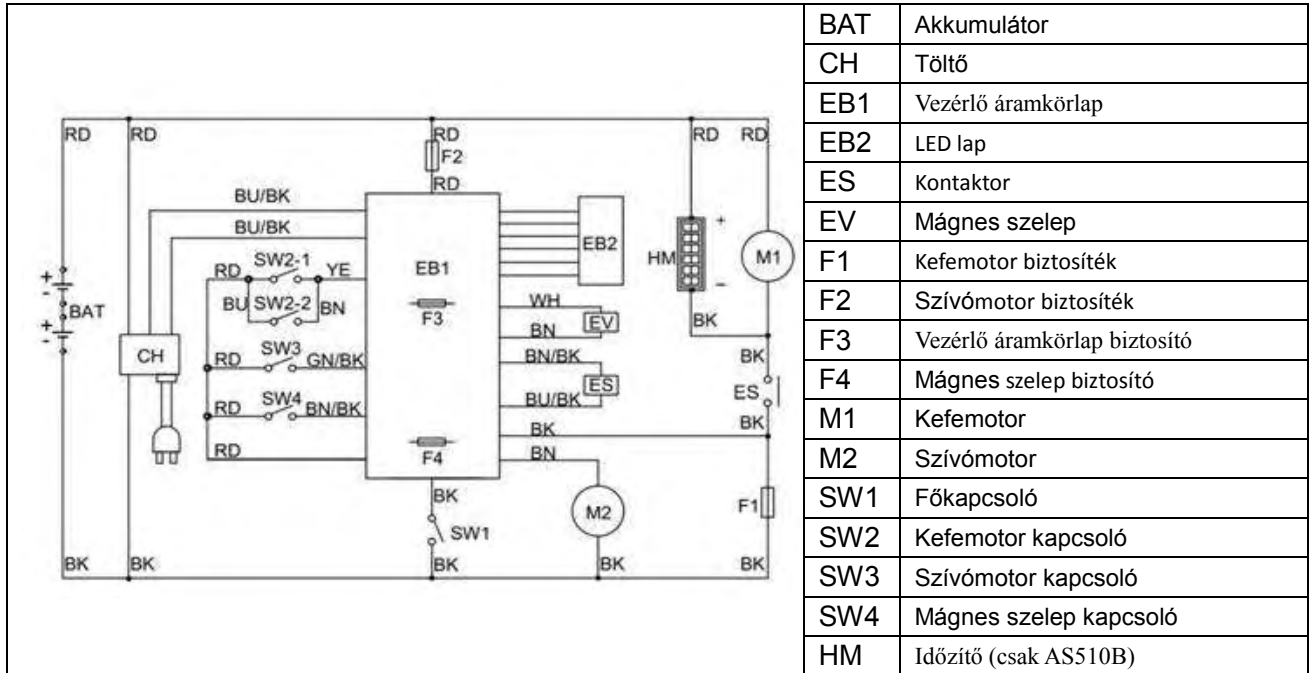
6. Nyissa meg a leeresztő vízszelepet (A).



Szűrőrács jele

17. ábra

AS430B ÉS AS510B ÁRAMKÖR RAJZ



SZÍNKÓDOK

RD=Piros	BN=Barna	BU/BK=Kék/Fekete
BU=Kék	YE=Sárga	GN/BK=Zöld/Fekete
BK=Fekete	WH=Fehér	BN/BK=Barna/Fekete

HIBAEELHÁRÍTÁS

Leállás	Lehetséges okok	Javítás
A berendezés nem működik: A jelzőfény nem világít	Az akkumulátor csatlakozó (9) nincs csatlakoztatva.	Csatlakoztassa az akkumulátor csatlakozót
	Az akkumulátor majdnem lemerült	Töltse fel az akkumulátort
A figyelmeztető jelzőlámpa (39 és 40) villog	Kefemotor túlterhelés	Váltson puha kefére, hogy alkalmazkodjon a tisztított padlóhoz
	Egyéb tárgyak akadályozzák a kefe forgását	Tisztítsa meg a kefét
A kefe nem működik	Kefebiztosíték kikapcsolása	Visszaállítás
	Az ékszíj csúszkál	Ellenőrizze az ékszíjat, állítsa be a szorulást
A vákuummotor nem működik	Vákuumbiztosíték kikapcsolása	Visszaállítás
Nem megfelelő szívó teljesítmény	A szennyvíz tartály megtelt.	Eressze le a víztartályt
	A felszívócső és a felszívó fej nincs megfelelően csatlakoztatva	Csatlakoztassa a felszívócsövet és felszívófejet
	Úszó szűrő eltömődve vagy bemenet blokkolva	Tisztítsa meg az úszó szűrőt, ellenőrizze az úszó úszót
	A felszívófej mocskos vagy a felszívó gumi elhasználódott és sérült	Tisztítsa meg és ellenőrizze a felszívó fejet
	A piszkosvíztartály fedele nincs megfelelően rögzítve, vagy a tartály tömítése sérült	Helyezze fel helyesen a fedelet vagy cserélje ki a víztartály tömítését
Gyenge vízellátás a kefénél	Szennyezett szűrő.	Tisztítsa meg a szűrőt
A felszívó gumit nyomokat hagy	Törmelék a felszívó gumi alatt	Távolítsa el a törmeléket
	A felszívó gumi elhasználódott, megrepedt vagy merev.	Cserélje ki a felszívó gumit
	A felszívó fej nincs beállítva	Állítsa be



MEGJEGYZÉS

Ha a berendezésben van választható beépített töltő, és ha a beépített töltő meghibásodott, a berendezés nem használható.

Ha a beépített töltő hibás, vegye fel a kapcsolatot a hivatalos karbantartási központtal.

További információkért hivatkozzon a karbantartási kézikönyvre (a VIPER bármelyik karbantartási központjában rendelkezésre áll)

A BERENDEZÉS MEGSEMISÍTÉSE

A berendezés megsemmisítéséhez hitelesített zúzógépet használjon.

A berendezés megsemmisítése előtt vegye ki és szeparáltan gyűjtse össze a következő anyagokat, melyeket az érvényben lévő törvényeknek és rendelkezéseknek megfelelően kell feldolgozni.

- Akkumulátor
- Kefe-/padtartó
- Műanyag tömlők és műanyag alkatrészek
- Elektromos és elektronikus alkatrészek (*)

(*): Kérjük, vegye fel a kapcsolatot a legközelebbi VIPER központtal (különösen akkor, ha szükséges az elektromos és elektronikus alkatrészek megsemmisítése).

CUPRINS

INTRODUCERE	221
CUPRINSUL MANUALULUI	221
SCOP	221
PIESE DE SCHIMB ȘI ÎNTREȚINERE	221
MODIFICĂRI ȘI ÎMBUNĂTĂȚIRI	221
DOMENIUL DE UTILIZARE	221
DESPACHETARE/ TRANSPORT	221
INSTRUCȚIUNI GENERALE DE PROTECȚIE	222
DATE TEHNICE	223
DESCRIEREA MAȘINII	223
PĂRȚILE COMPONENTE ALE MAȘINII	223
PANOU DE COMANDĂ	224
FEREASTRĂ AFIȘARE LED INDICATOR ÎNCĂRCĂTOR	225
GHID DE UTILIZARE.....	225
INSTALAREA ȘI PREGĂTIREA BATERIEI NOII MAȘINI	225
INSTALAREA BATERIEI ȘI STABILIREA TIPULUI BATERIEI (WET SAU CU GEL/AGM)	226
ÎNAINTE DE PORNIREAMAȘINII.....	227
MONTAREA ȘI DEMONTAREA PERIEI / SUPORTULUI PENTRU BUCATA DE MATERIAL	227
AJUSTAREA MOPULUI	228
REGLAREA VOLUMULUI DEBITULUI DE APĂ	228
PORNIREA ȘI OPRIREA MAȘINII.....	229
FUNȚIONAREA MAȘINII (RAȘCHETARE ȘI ȘTERGERE).....	229
GOLIREAREZERVORULUI	230
DUPĂ UTILIZAREA MAȘINII	231
PERIOADE DE INACTIVITATE.....	231
PRIMA UTILIZARE.....	231
ÎNGRIJIRE ȘI ÎNTREȚINERE	231
TABEL CU GRAFICUL DE ÎNTREȚINERE.....	232
ÎNCĂRCAREA BATERIEI.....	232
CURĂȚAREA MOPULUI.....	233
VERIFICAREA ȘI ÎNLOCUIREA TĂLPII MOPULUI	233
CURĂȚAREA PERIEI/ MAETRIALUL DE POLIȘARE	234
CURĂȚAREA REZERVORULUI DE APĂ ȘI A FILTRULUI FLOTOR	234
CURĂȚAREA FILTRULUI DE SOLUȚIE.....	235
FIGURA CIRCUITELOR LA MODELELE AS430B ȘI AS510B	236
DEPANARE.....	237
DEZAFECTAREA MAȘINII.....	237

INTRODUCERE



NOTĂ

Numerele din paranteză sunt aferente componentelor de la secțiunea Descrierea mașinii

CUPRINSUL MANUALULUI

Manual asigură informațiile necesare operatorului pentru a utiliza această mașină în mod corespunzător și în condiții de siguranță. Informațiile cuprind date tehnice, de exploatare, depozitare, întreținere în condiții de siguranță și de dezafectare a mașinii. Operatorul și tehnicienii cu calificarea corespunzătoare trebuie să studieze acest manual cu atenție, înainte de a începe exploatarea și întreținerea acestei mașini. Vă rugăm contactați firma VIPER pentru orice întrebări cu privire la explicațiile din acest manual sau dacă este nevoie și de alte informații în legătură cu acestea.

SCOP

Acest manual are scopul de a da posibilitatea operatorului și tehnicienilor calificați să realizeze operațiunile de întreținere a acestei mașini.

Operatorul nu trebuie să execute acele operații care trebuie efectuate numai de tehnicieni. Firma VIPER nu este responsabilă pentru nicio defecțiune cauzată de încălcarea acestei reguli.

PIESE DE SCHIMB ȘI ÎNTREȚINERE

Toate operațiunile necesare, procedurile de întreținere și reparații trebuie executate de personal calificat sau în centrele de service ale firmei VIPER.

Se vor folosi numai accesoriile și piesele de schimb autorizate.

Dacă este nevoie de service sau de comandarea de piese de schimb sau accesorii, vă rugăm contactați firma VIPER, aducând la cunoștință modelului mașinii și numerele de serie.

MODIFICĂRI ȘI ÎMBUNĂTĂȚIRI

Firma VIPER face îmbunătățiri continue la produsele sale. Firma VIPER își rezervă dreptul de a face schimbări și de a îmbunătăți mașinile, precum și dreptul de a decide unilateral dacă avantajele aduse prin modificări sunt aplicabile la produsele deja vândute. Toate modificările sau accesoriile în plus trebuie convenite de către compania VIPER și trebuie executate de către această companie.

DOMENIUL DE UTILIZARE

Această mașină de rașchetat este utilizată în mediu industrial și domestic și este potrivită pentru curățarea pardoselilor dure și fără denivelări (rașchetare și strângerea apei). Trebuie să fie utilizată de operatori în mediu ce prezintă siguranță. Această mașină de rașchetat nu se poate folosi pentru curățarea suprafețelor exterioare, a covoarelor și a pardoselilor foarte grunjoase.

DESPACHETARE/ TRANSPORT

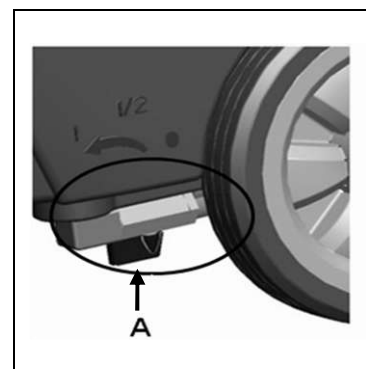
Vă rugăm, la despachetare, aplicați cu atenție instrucțiunile de pe ambalaj.

La livrare, vă rugăm verificați ambalajul și mașina pentru a vă asigura că nu există defecțiuni apărute în timpul transportului. Dacă există o deteriorare vizibilă, vă rugăm păstrați formularul original și solicitați transportatorului să confirme și să completeze o listă cu deteriorările respective, pentru compensare.



— ATENȚIE

Când despachetați și scoateți mașina din ambalaj, sau la deplasarea mașinii pe scări, evitați lovirea comutatorului de închidere/deschidere care reglează debitul de apă, care se vede în Partea A, din figura din partea dreaptă.



Verificați dacă mașina este echipată cu următoarele articole:

1. Documente tehnice
 - Manualul utilizatorului mașinii de rașchetat
 - Manualul încărcătorului încorporat (dacă este prevăzut ca furnitură)
2. conector pentru Încărcător (dacă nu există încărcător încorporat, se află pe încărcătorul extern prevăzut)

INSTRUCȚIUNI GENERALE DE PROTECȚIE

Următoarele sunt atenționări speciale și notificări cu privire la potențialele defecțiuni ale mașinii și răniri ale personalului:



ATENȚIE !

- Mașina se va utiliza numai conform instrucțiunilor din prezentul manual. A se utiliza numai accesoriile aprobate de VIPER.
- Această mașină trebuie folosită numai de personal autorizat, cu calificare corespunzătoare. Copiii sau persoane neinstruite adecvat nu trebuie să utilizeze această mașină.
- În condiții normale de exploatare, bateria poate emite gaze inflamabile. Bateria trebuie ținută departe de articole de iluminare, radiatoare, cu flacără sau care produc scântei. La utilizarea mașinii, vă rugăm asigurați-vă că mediul de lucru este bine ventilat și departe de orice flacără deschisă. La încărcare, vă rugăm nu fumați în vecinătatea mașinii.
- Vă rugăm deconectați bateria anterior executării oricărei operații de întreținere/ reparație.
- Înainte de a utiliza încărcătorul încorporat, asigurați-vă că tensiunea și frecvența de alimentare sunt cele indicate pe eticheta cu numărul de serie.
- Când lucrați în apropiere de aparate electrice, nu purtați bijuterii. Vă rugăm luați toate măsurile de precauție și evitați prinderea părului, a bijuteriilor sau a hainelor prea largi, de către piesele în mișcare ale mașinii.
- Vă rugăm nu utilizați această mașină în zone foarte murdare. Nu spălați mașina direct în apă. Nu lăsați mașina să vină în contact cu lichide corozive.
- Temperatura de stocare și mediul de lucru al mașinii trebuie să fie între 0 - 40°C.
- Umiditatea aerului trebuie să fie între 30% - 105%.
- A nu se utiliza mașina pe o pantă cu grad de înclinare mai mare de 2%.
- În caz de incendiu, utilizați stingătoare cu praf. Nu folosiți stingătoare cu lichid.
- A se da o atenție deosebită transportului mașinii în condiții de temperatură sub 0°C. Rezervorul de apă și apa de pe furtunuri poate îngheța ceea ce poate fi cauza unor avarieri grave ale mașinii.
- Folosiți periile și bucățile de material furnizate odată cu mașina, precum și pe cele specificate în Manualul utilizatorului. Utilizarea altor perii sau bucăți de material pot cauza reducerea gradului de siguranță în exploatare.
- În caz de funcționare defectuoasă a mașinii, asigurați-vă că acesta nu este cauzată de o proastă întreținere. Dacă altele sunt cauzele stării defectuoase, solicitați asistența personalului autorizat sau a unui centru de service.
- Dacă se confirmă că trebuie înlocuite piesele de schimb, vă rugăm asigurați-vă că aveți asigurate piese originale de la dealerii sau reprezentanții autorizați.
- Pentru a asigura o funcționare corespunzătoare și în condiții de siguranță, a mașinii, vă rugăm apelați la personal autorizat sau la un centru de service pentru a executa întreținerea planificată conform graficelor de întreținere din secțiunile referitoare la acest subiect, din manual.
- Această mașină trebuie dezafectată în mod corespunzător, întrucât există riscul de otrăvire cu materiale periculoase (de la baterie, etc.), iar aceste materiale trebuie depozitate ca deșeuri în centre special amenajate în conformitate cu normele și reglementările specifice (vă rugăm consultați secțiunea referitoare la dezafectarea mașinii).

DATE TEHNICE

Model	AS430B	AS510B
Înălțimea mașinii	980mm	
Capacitatea rezervorului pentru soluție	40 litri	
Capacitatea rezervorului de colectare apă	40 litri	
Diametrul roții de transport	200mm	
Diametrul roții de ghidaj	76mm	
Puterea motorului de aspirare	350w	
Înclinarea maximă în timpul lucrului	2%(Max)	
Nivel de zgomot la stația de lucru	70dB(A) ±3dB(A)	
Baterii standard	(2×12V) 24V 85Ah AGM	(2×12V) 24V 105Ah AGM
Dimensiuni compartiment baterie (l x L x h)	340 x 330 x 260mm(Max)	
Capacitate circuit sistem aspirare	1200 mm H ₂ O	
Lățime rașchetare	430mm	510mm
lățimea mopului	730mm	790mm
lungime maximă a mașinii	1060mm	1100mm
Mașina fără mop	480mm	540mm
Diametrul periei rașchetă	430mm	510mm
Greutate cu baterii și cu rezervoare goale	112kg	128kg
Greutatea brută a mașinii gata de folosire	152kg	168kg
Putere motor rașchetare	550W	560W
Viteză rașchetă	150rpm	
Presiune maximă perie /suport bucată de material	30kg (Max)	35kg(Max)
Dimensiune ambalaj (L x l x H)	1200 x 610 x 1170mm	

DESCRIEREA MAȘINII

PĂRȚILE COMPONENTE ALE MAȘINII

- | | |
|--|---|
| 1. Comutator de siguranță | 20. Mâner ajustare mop |
| 2. Mâner-bară | 21. Cadru-suport spate pentru mop |
| 3. Panou de comandă | 22. Cadru-suport față pentru mop |
| 4. Plăcuță cu număr de serie / date tehnice / Certificat de conformitate | 23. Suport rezervor |
| 5. Capac | 24. Mâner capac rezervor apă colectată |
| 6. Suport cablu (*) | 25. Capac rezervor apă colectată |
| 7. LED indicator încărcare baterie | 26. Corp rezervor |
| 8. Comutator resetare | 27. Capac admisie apă |
| 9. Conector baterie | 28. Punte perie-rașchetă |
| 10. Capac baterie | 29. Suport perie/ bucată material |
| 11. Tub aspirator deșeuri | 30. Motor aspirator |
| 12. Cablu electric mop | 31. Motor rașchetă |
| 13. Capac de siguranță conector baterie | 32. roată de 8" |
| 14. Mâner de ridicare mop | 33. Baterie |
| 15. Furtun de scurgere | 34. Tub de aspirare |
| 16. Buton de fixare mop | 35. Încărcător (*) |
| 17. Clemă mop | 36. Filtru plutitor |
| 18. Talpă mop | 37. Tub nivel apă (arată cantitatea de apă din rezervorul de soluție) |
| 19. Cadru de susținere mop | |

(*) valabil numai la mașinile care au deja încărcător încorporat (optional)

FIGURI ALE PIESELOR COMPONENTE ALE MAȘINII

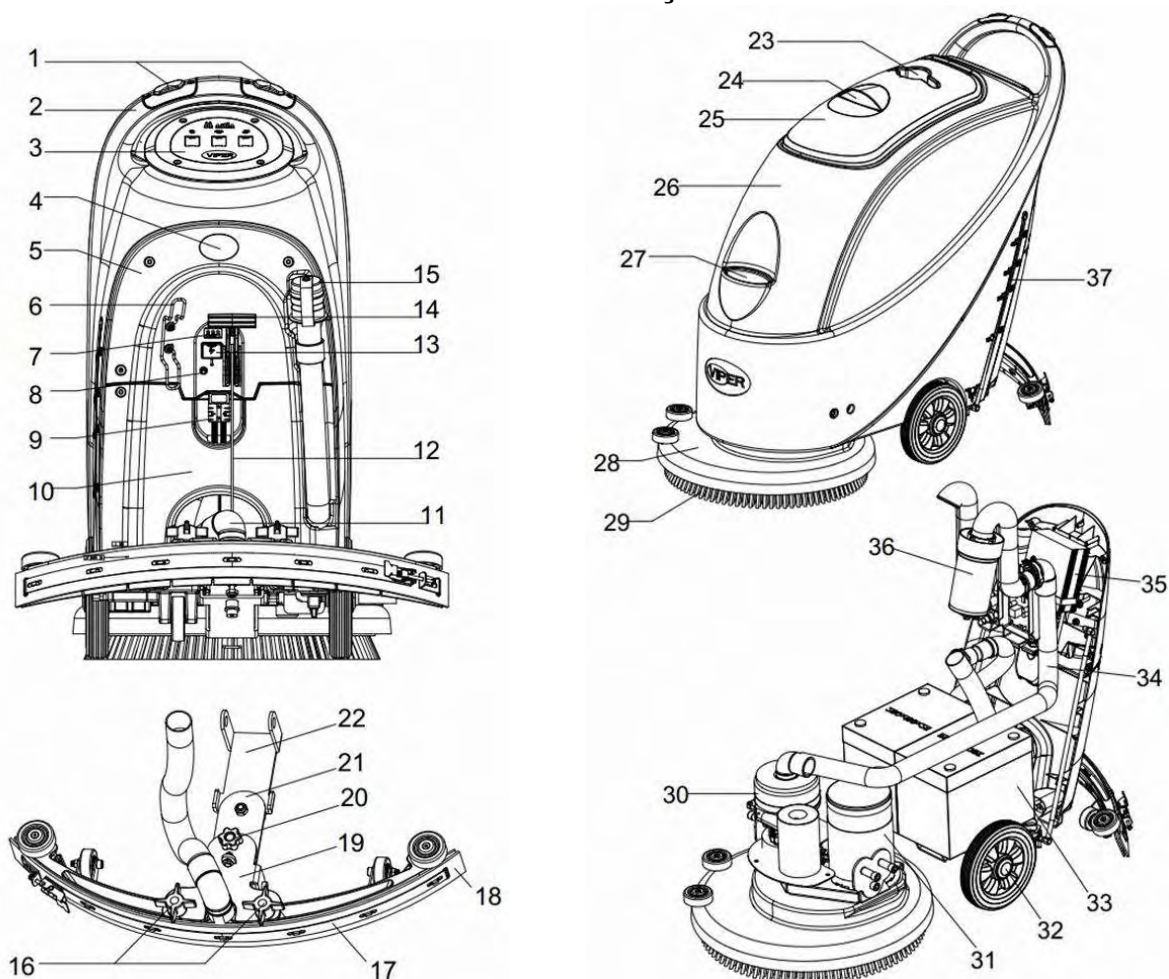


Figura 1

PANOU DE COMANDĂ (Figura 2)

- 38. LED indicator încărcare baterie (verde când e plină)
- 39. LED indicare baterie descărcată (roșu)
- 40. LED indicare baterie descărcată (roșu)
- 41. Comutator alimentare tensiune
- 42. Comutator aspirator
- 43. Cronometru (opțional, utilizat pentru înregistrarea timpului de lucru al rașchetei)
- 44. Supapă cu solenoid pentru reglarea jetului de apă

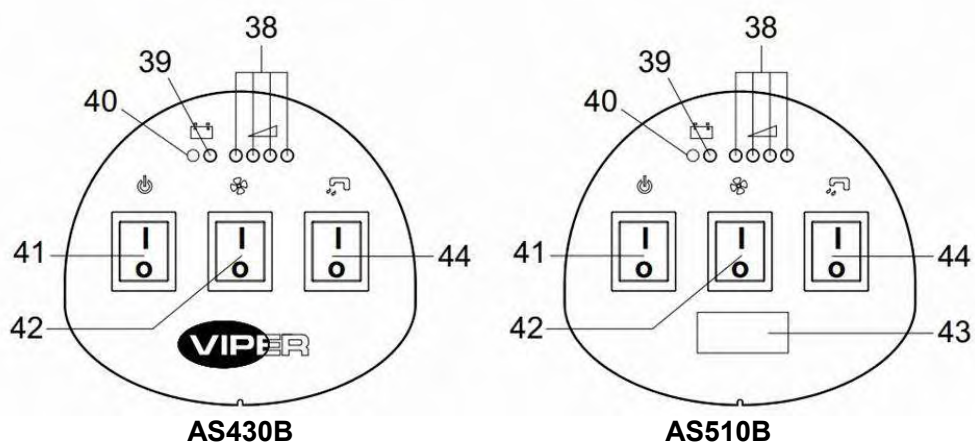


Figura 2

FEREASTRĂ AFIȘARE LED INDICATOR ÎNCĂRCĂTOR (Figure 3)

(Opțional, aplicabil la modelele cu încărcător încorporat)

1. Când începe încărcarea, lumina roșie indicatoare a încărcătorului (45) va licări de câteva ori și apoi se va stabili pe culoarea roșu, indicând prima etapă de încărcare;
2. După o perioadă de timp de încărcare, lumina indicatorului (45) se va stinge și se va aprinde lumina indicatorului galben (46) ce arată intrarea în a doua etapă de încărcare;
3. După o încărcare de aproximativ 10 ore, lumina aurie (46) se va stinge și se va aprinde lumina indicatorului verde (47), ceea ce înseamnă că încărcarea este complet efectuată.

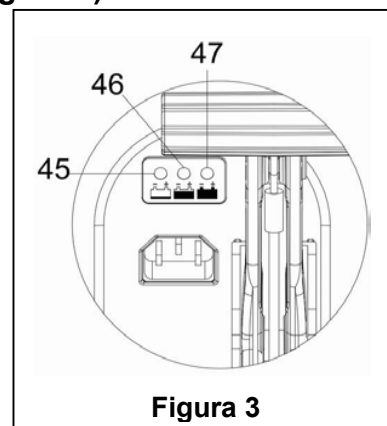


Figura 3



NOTĂ

- 1) În timpul încărcării, dacă licărește indicatorul galben înseamnă că bateria nu este compatibilă cu încărcătorul, sau nu este corespunzător conectată, sau există un scurtcircuit la bornă.
- 2) Dacă indicatorul roșu licărește, înseamnă că există un scurtcircuit în interiorul încărcătorului. (Pentru detalii, vă rugăm consultați secțiunile cu instrucțiunile referitoare la încărcător.)

GHID DE UTILIZARE



ATENȚIE

Pe anumite piese ale mașinii sunt lipite câteva semne de avertizare:

- PERICOL
- ATENȚIE
- PRECAUȚIE
- A SE VEDEA

La citirea manualului, operatorul va da atenție deosebită atenționărilor speciale, simbolurilor și semnelor. Sub nicio formă aceste semne nu vor fi acoperite. Dacă acestea sunt deteriorate, trebuie înlocuite imediat.

INSTALAREA ȘI PREGĂTIREA BATERIEI NOII MAȘINI



ATENȚIE

Dacă bateria este incorect instalată, sau necorespunzător conectată, componentele electrice ale mașinii se pot avaria grav. Bateria se va instala numai de personal calificat. În funcție de tipul bateriei utilizate (WET -umedă- sau cu GEL), poziționați plăcuța cu circuite și încărcătorul încorporat (opțional).

Înainte de instalare verificați ca bateria să nu fie defectă.

Deconectați conectorul bateriei și ștecherul încărcătorului încorporat.

Fiți atenți la manipularea bateriei.

Pentru această mașină sunt necesare două (2) baterii de 12V. Vă rugăm conectați așa cum se arată în **Figura 4** din dreapta.

Această mașină se poate alimenta cu oricare dintre următoarele modele:

a) **Bateriile (WET or GEL/ AGM) sunt deja instalate și pot fi folosite în orice moment.**

1. Verificați bateria. Prin intermediul conectorului (9) conectați bateria la mașină.
2. (Aplicabil doar pentru tipurile AS430B și AS510B): Apăsăți comutatorul on/off (41). Dacă se aprinde luminița verde, înseamnă că bateria e gata de funcționare.

Dacă se aprinde luminița galbenă sau roșie, înseamnă că bateria trebuie încărcată. (Vă rugăm consultați secțiunea referitoare la procedurile de întreținere).

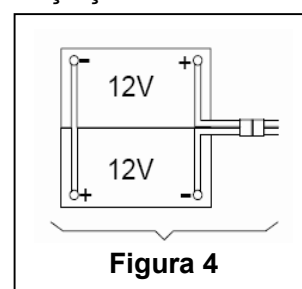


Figura 4

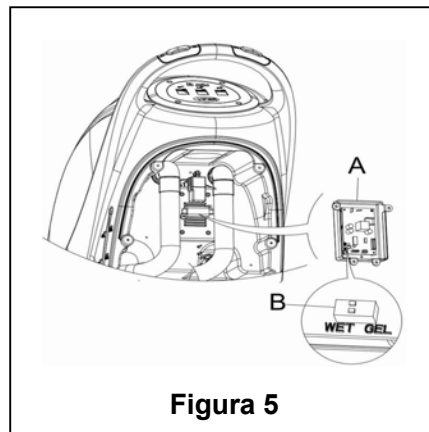
b) Fără baterii

1. Achiziționați baterii similare (vedeți secțiunea cu parametrii tehnici). Se pot obține date referitoare la alegerea bateriilor și de la reprezentanții autorizați.
2. Setează mașina și încărcătorul încorporat (dacă este prevăzut) conform tipului de baterii (WET sau cu GEL/AGM). De asemenea, citiți paragraful referitor la modul de instalare al bateriilor.

INSTALAREA BATERIEI ȘI STABILIREA TIPULUI BATERIEI (WET SAU CU GEL/AGM)

În funcție de tipul bateriei, (WET or GEL/AGM) puneți plăcuța de circuite electrice pe încărcătorul încorporat. Procedurile sunt după cum urmează:

1. Verificați conectorul bateriei care trebuie să fie deconectat. Dacă mașina este pe baterii "AGM" din fabrică, mergeți direct la pasul 8; în caz contrar, efectuați pașii 2, 3, și 4.
2. Scoateți furtunul de scurgere (15)
3. Dacă există un încărcător încorporat, scoateți cablul de încărcare de pe tambur.
4. Scoateți capacul panoului de comandă (5), și șuruburile capacului bateriei (10). Scoateți șuruburile de pe panoul de comandă. Comutatorul DIP (B) pentru stabilirea modelului de baterie poate fi văzut sub plăcuța panoului de comandă (PCB) (Vedeți **Figura 5**)
5. Puneți comutatorul DIP (B) pe poziția "WET",
6. Executați pașii 3, 4 și 5 în ordine inversă.

**Figura 5****Instalarea bateriilor**

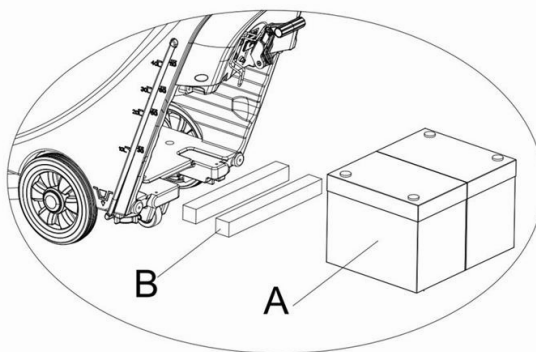
7. Deconectați conectorul bateriei (9).
8. Deschideți rezervorul cu apă colectată (25) și verificați dacă rezervorul este gol sau nu. Dacă nu este gol, goliți-l folosind furtunul de drenaj (15).
9. Deșurubați butonul rotund fixat pe mop (16) și scoateți conectorul ce leagă tubul de aspirare deșeuri (11) de mop și apoi scoateți mopul.
10. Deșurubați șuruburile de la capacul bateriei (10) și scoateți capacul.
11. Deșurubați conectorul de pe cablul de orientare al mopului (12) ce leagă mânerul mopului (19) și agățați cablul în partea superioară.
12. Agățați sus furtunul de drenaj (15) și tubul de aspirare (11).
13. În funcție de dimensiunile bateriei, împingeți plăcuța de fixare în cutia bateriei, până la capăt.

**NOTĂ**

Dimensiunea bateriei nu trebuie să fie mai mare de: h x l x h: 330mm x 170mm x 260mm.

Conform diverselor dimensiuni de baterii, cerințele pentru selectarea bateriilor fixe sunt după cum urmează:

- 1) Pentru baterii cu lungime mai mică de 270mm, folosiți 2 plăcuțe de fixare (**B, Figura 6**) și puneți-le una lângă alta, în interiorul bateriei pentru rezervorul de apă;
- 2) Pentru baterii cu lungime între 310mm-270mm, folosiți o plăcuță de fixare (**B, Figura 6**) și plasați-o în bateria rezervorului de apă;
- 3) Pentru baterie cu lungime între 330mm-310mm, nu este nevoie de plăcuță de fixare pentru poziționare.

**Figura 6**

14. Instalați bateria cu ajutorul uneltelor speciale de instalare (A, Figura 7). După instalarea bateriei, îndepărtați instrumentele de instalare și montați mânerul de fixare a bateriei (B, Figura 7).

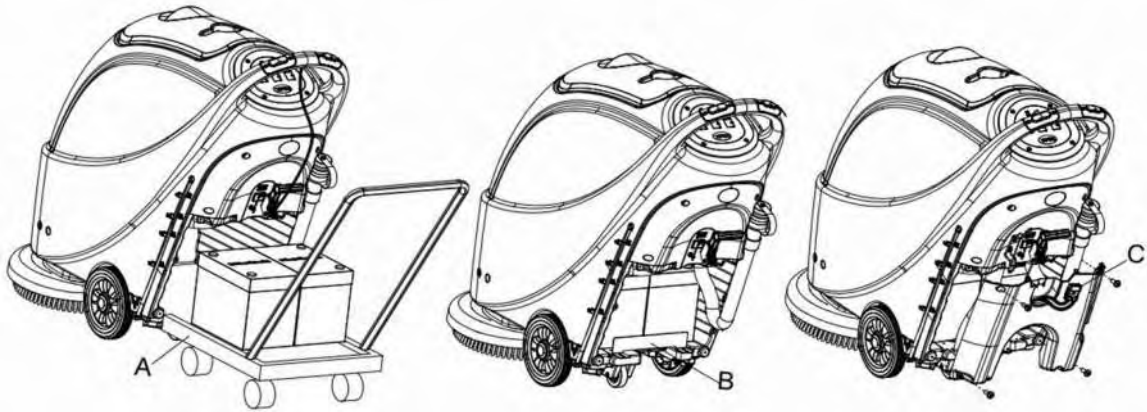


Figura 7

15. Treceți conectorul bateriei (C, Figura 7) prin fanta de pe partea superioară a capacului bateriei, treceți furtunul prin fanta adecvată a capacului cutiei bateriei, fixați capacul cu 4 șuruburi și apoi instalați succesiv cablul de orientare a mopului, furtunul de drenaj și mopul.

Încărcarea bateriei

16. Pentru încărcarea bateriei, vedeți pașii descriși la secțiunea întreținere.

ÎNAINTE DE PORNIREAMAȘINII

MONTAREA ȘI DEMONTAREA PERIEI / SUPORTULUI PENTRU BUCATA DE MATERIAL



NOTĂ

În funcție de tipul de pardosea care trebuie curățată, pe mașină se poate monta o perie (Figura 8, A) sau o bucată de material (Figura 8, B și C).



ATENȚIE !

Când se pune sau se scoate manual peria /suportul pentru bucata de material, mai întâi verificați dacă toate comutatoarele sunt pe poziția off (închis) și apoi ridicați mopul de pe podea și numai după aceea se poate pune peria sau suportul de susținere a bucății de material. În plus, vă rugăm să purtați mănuși de protecție pentru a se evita rănirea prin tăiere.

1. (Se aplică doar la tipurile **AS430B** și **AS510B**): verificați dacă conectorul (41) este pe poziția (O) deconectare.
2. Apăsăți mânerul-bară (2) pentru a se ridica corpul rezervorului (26).
3. Puneți peria (A) sau suportul de material (B – C) în locaș.
4. Utilizați mânerul-bară (2) pentru a coborî corpul rezervorului (26) și a veni în contact cu peria sau suportul de material de curățare.
5. Pentru instalarea automată a periei / suportului de material, puneți comutatorul de alimentare cu electricitate (41) pe poziția "I" și apăsați butonul de siguranță (1). Împingeți ușor mașina înainte pentru a permite roții de la baza rezervorului să se alinieze cu peria sau cu suportul de material care în acest fel vor fi montate. Apoi degajați comutatorul de siguranță. Dacă e necesar, repetați procedura până când peria/ suportul pentru bucata de material este instalată.
6. Dacă pasul 5 de mai sus se dovedește a fi greu de realizat, utilizați metoda manuală urmărind săgeata (D) ce indică sensul pentru montarea periei / suportului de material (după cum se arată în Figura 8).

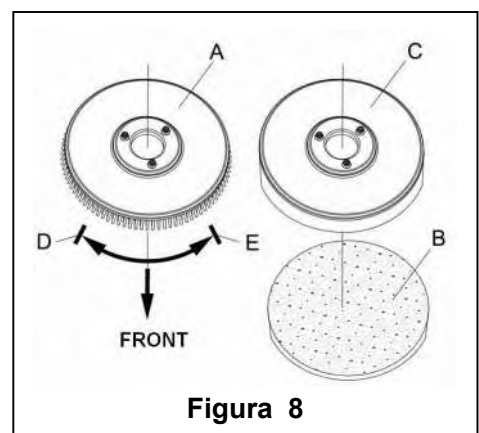


Figura 8

7. Pentru demontarea automată a periei /suportului de material, puneți comutatorul (41) alimentării cu curent pe poziția "O". Țineți cu mâna mânerul-bară și apăsați mașina în jos până cândroata de ghidaj atinge podeaua iar peria/ suportul de material e suspendată în aer. Puneți comutatorul de alimentare (41) pe poziția "I" și apăsați butonul de siguranță pentru a permite periei sau suportului de material să se rotească până ce cad pe podea.
8. Dacă pasul 7 de mai sus se dovedește a fi greu de realizat, folosiți metoda manuală, rotind peria /suportul de material în direcția opusă funcționării normale și în felul acesta se poate scoate. (așa cum se arată în **Figura 8**)

AJUSTAREA MOPULUI

9. Instalați mopul și strângeți-l bine prin rotire cu mânerul. Apoi conectați tubul de aspirare a deșeurilor la mop.
10. Ajustați mopul cu ajutorul mânerului de ajustare (A) (vedeți **Figura 9**).
 - 1) Dacă partea din mijloc a benzii din spate a mopului, secțiunea B, nu se pliază bine pe podea, sau presiunea de apăsare este prea mică, ajustați mânerul rotindu-l în sens invers acelor de ceasornic până când întreaga lungime a părții din spate a mopului se pliază bine pe podea. Banda din față a mopului trebuie să atingă ușor podeaua.
 - 2) Dacă cele două capete ale benzii din spate a mopului, secțiunile C și D, nu se pliază bine pe podea, sau presiunea de apăsare este prea mică, ajustați mânerul rotindu-l în direcția acelor de ceasornic până când întreaga lungime a benzii din spate a mopului se pliază bine pe podea. Banda din față a mopului trebuie să atingă ușor podeaua.

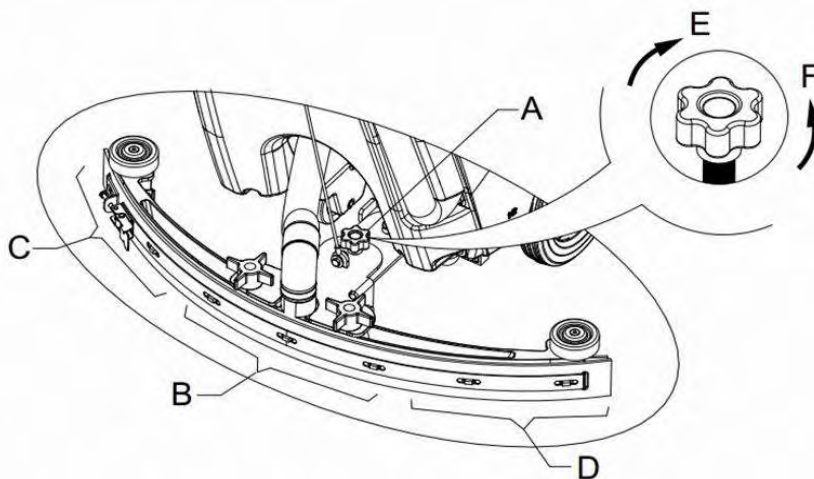


Figura 9

Umplerea rezervorului de soluție



ATENȚIE!

Trebuie să se folosească numai detergenți neinflamabili care fac o cantitate redusă de spumă. Acești detergenți trebuie să fie potriviți pentru utilizarea la mașinile de rașchetat.

11. Deschideți capacul de admisie (27) și adăugați apă în rezervorul de soluție. Nu umpleți rezervorul în exces. Umpleți cu apă până aproape de marginea suportului filtrului. Când pregătiți soluțiile de curățare, respectați raportul de diluare indicat de producătorii substanțelor chimice, iar temperatura apei nu trebuie să fie mai mare de 40⁰ C.

REGLAREA VOLUMULUI DEBITULUI DE APĂ



ATENȚIE !

Reglarea mânerului supapei cu bilă (A, Figura 10) trebuie să se facă numai când comutatorul de alimentare cu energie (41) este pe poziția "O".

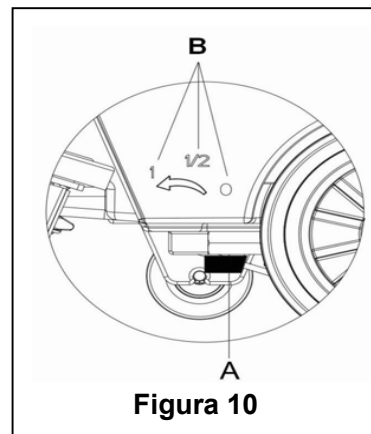


Figura 10

12. Volumul debitului de apă poate fi reglat prin intermediul mânerului supapei cu bilă (A, Figura 10) în funcție de cantitatea de apă necesară pentru rașchetarea podelei.

PORNIREA ȘI OPRIREA MAȘINII

Pornirea mașinii

1. Executați pașii de pregătire, așa cum se descrie mai sus.
2. Puneți comutatorul de alimentare (41) pe poziția "I".
3. Cu ajutorul mânerului (41) coborâți mopul.
4. Puneți, prin apăsare, comutatorul aspiratorului (42) pe poziția "I".
5. Puneți, prin apăsare, comutatorul (44) pe poziția "I". (Lucrați simultan cu butonul de siguranță (1) pentru a controla funcționarea supapei cu solenoid.)
6. Țineți apăsat butonul de siguranță (1) și împingeți pentru a deplasa mașina. Peria (29) începe să se rotească și mașina își începe treaba ei de curățare.



CONSULTAȚIE: Cum trebuie împinsă mașina
Una din caracteristicile mașinii este instalarea a două butoane de siguranță pe ambele părți ale mânerului bară. Fiecare buton de siguranță este capabil să controleze independent funcționarea periei. În timpul funcționării, aceștia facilitează controlul exploatării mașinii.
Din experiență, metoda de a deplasa mașina, așa cum se arată în Figura 11 din dreapta, este cea mai potrivită, utilizatorul ține mâinile mai confortabil ceea ce reduce oboseala. Așadar, se recomandă utilizatorilor să deplaseze mașina în acest fel.

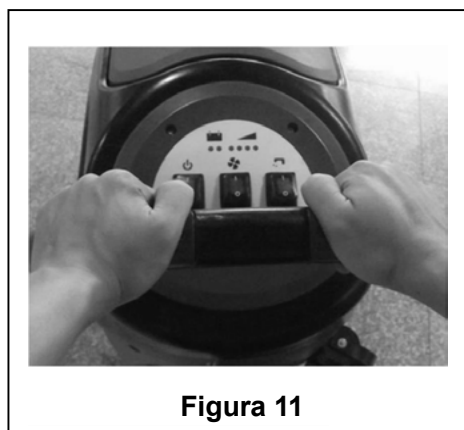


Figura 11

Oprirea mașinii

7. Când ați terminat de utilizat mașina, prima dată demontați peria /suportul pentru material (vedeți pașii referitori la aceasta în secțiunea cu montarea și demontarea periei /suportului de material)
8. Eliberați butonul de siguranță (1) și rotiți peria /suportul de material și supapa cu solenoid.
9. Apăsați butonul pompei de aspirare (42) la poziția "O" iar pompa de vid își va opri funcționarea după 5 secunde de întârziere.
10. Apăsați butonul de control al debitului apei (44) la poziția "O" pentru a opri complet funcționarea supapei cu solenoid.
11. Apăsați butonul de alimentare cu energie (41) la poziția "O".
12. Utilizați mânerul bară (14) pentru a ridica mopul.
13. Prindeți bine mânerul-bară (2) și dați ușor mașina către spate până ce roata de ghidaj (B) atinge podeaua. Vedeți Figura 12.

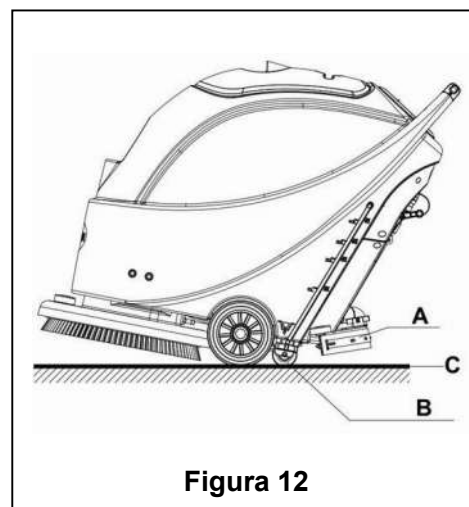


Figura 12

FUNCȚIONAREA MAȘINII (RAȘCHETARE ȘI ȘTERGERE)

1. Porniți mașin conform descrierii de mai sus.
2. Mențineți apăsat butonul de siguranță (1) (așa cum se arată în Figura 11), împingeți pentru a deplasa mașina și începeți operația de curățare.
3. Dacă este necesar, opriți mașina și ajustați mânerul de ajustare al mopului. (Vă rugăm vedeți pașii pentru austarea echilibrului mopului)
4. Dacă este necesar, opriți mașina și ajustați debitul de apă cu ajutorul supapei cu bilă. (Vedeți pașii pentru ajustarea volumului debitului de apă.)



ATENȚIE!

Pentru a se evita deteriorarea podelei, când mașina stă într-un loc, fără să fie mișcată, opriți alimentarea cu energie de la comutatorul (41).

Descărcarea bateriei în timpul funcționării

5. Doar când LED-ul verde (38) stă aprins constant, bateria este suficient de încărcată pentru funcționarea normală a mașinii.

**NOTĂ**

Când toate cele 4 luminițe verzi (38) s-au aprins, înseamnă că bateria este complet încărcată.

Când doar una din luminițele verzi este aprinsă (38) și începe să licărească, înseamnă că trebuie să se facă încărcarea bateriei fiindcă mașina se va opri automat după câteva minute.

După ce și ultima luminiță verde (38) se stinge, și se aprind LED-urile roșii (39 și 40) și încep să licărească, mașina se va opri automat după câteva secunde. (Vedeți pașii cu privire la întreținere)

**ATENȚIE!**

Nu folosiți mașina când puterea bateriei nu este suficientă pentru a evita defectarea bateriei și scurtarea duratei ei de funcționare.

GOLIREAREZERVORULUI

Când rezervorul cu apă colectată este plin, flotorul din dispozitivul plutitor de oprire automată (36) va bloca admisia ce face legătura cu pompa de vid. Când zgomotul făcut de pompa de vid crește în intensitate, se poate considera că pompa funcționează în suprasarcină și că este necesară drenarea imediată a apei uzate.

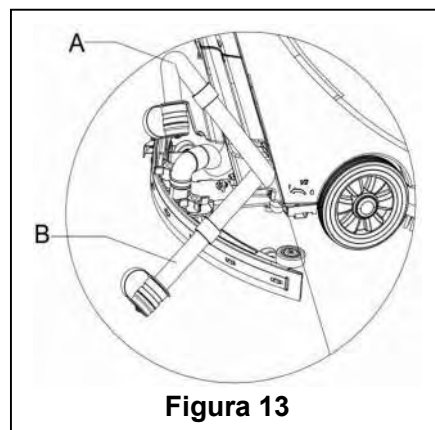
**ATENȚIE!**

Dacă pompa de aspirare se oprește brusc (de ex. fiindcă mașina este mișcată brusc ceea ce a dus la activarea flotorului) și dacă se dorește reluarea exploatării, executați următorii pași: apăsați comutatoarele (41 și 42) pentru opri alimentarea cu energie și pompa de aspirare, și deschideți capacul rezervorului cu apă colectată (25) pentru a verifica dacă flotorul filtrului flotor a revenit pe suprafața apei. Apoi închideți capacul rezervorului de apă colectată (25), și apăsați comutatoarele (41 și 42) pentru a porni alimentarea cu energie și pompa de vid.

Când rezervorul cu apă colectată este umplut complet cu apă uzată, executați următorii pași pentru a o goli.

Golirea rezervorului de apă colectată

1. Opriți mașina.
2. Cu ajutorul mânerului (14), ridicați T-ul de spălare.
3. Duceți mașina la un loc amenajat pentru aruncarea deșeurilor.
4. Cu ajutorul mânerului-bară (2) înclinați ușor mașina către spate până când roata de ghidaj atinge podeaua. (Pentru lăsarea mașinii în stare de repaos, vedeți procedurile de oprire a mașinii).
5. Scoateți furtunul din clema de fixare, îndoțiți capătul de drenare (cum se arată în **A, Figura 13**) și apoi deschideți capacul furtunului de drenaj, coborâți furtunul la un nivel mai mic sau pe sol pentru a se scurge apa. Alternativ, puneți furtunul direct furtunul într-o poziție inferioară sau pe sol, cu fanta de ieșire a apei în jos (cum se arată în **B, Figura 13**) și apoi deschideți prin răsucire clapeta de drenare a apei pentru golirea apei uzate din rezervor. După golirea completă, folosiți apă curată pentru spălarea rezervorului.

**ATENȚIE!**

La golirea apei uzate, tubul de aspirare a deșeurilor trebuie pliat sau pus la o poziție inferioară (după cum se arată în figura Figure 13 A sau B), și apoi se deschide clapeta tubului de aspirare, ca apa să se golească. Nu poziționați fanta de ieșire a apei în sus, astfel încât apa să nu se scurgă vertical. În acest fel se va evita stropirea cu apă murdară a operatorului.

Golirea rezervorului de soluție

6. Executați pașii de la 1 la 4.
7. Așa cum se arată în **Figura 14**, deschideți capacul rezervorului de soluție (A) pe direcția contrară acelor de ceasornic C, și goliți complet rezervorul de soluție. Folosiți apă curată pentru spălarea rezervorului. Când operațiunea s-a terminat, închideți bine prin rotire capacul rezervorului de soluție (A) în direcția B, a acelor de ceasornic.

DUPĂ UTILIZAREA MAȘINII

Când lucrarea s-a făcut și înainte de a lăsa mașina în stare de repaos, executați următorii pași:

1. Urmați procedura descrisă la secțiunea menționată mai sus de monare și demontare a periei /suportului de material și scoateți peria / suportul de material.
2. Aplicați procedurile descrise în secțiunile referitoare la golirea completă a rezervorului de soluție și a rezervorului de apă colectată.
3. Executați procedurile zilnice de întreținere (vedeți secțiunea întreținere).
4. Depozitați mașina, inclusiv peria/ suportul de bucată de material într-un loc curat și uscat. Mopul trebuie ridicat sau scos.

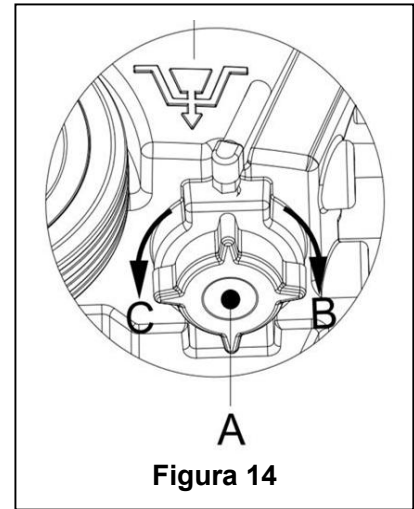


Figura 14

PERIOADE DE INACTIVITATE

Dacă mașina nu se va utiliza pe o durată mai mare de 30 de zile, vă rugăm executați următoarele:

1. Executați procedura necesară după orirea utilizării mașinii.
2. Deconectați conectorul (9) ce face leagătura dintre baterie și mașină.
3. Pentru a nu defecta bateria și dacă mașina nu este utilizată mai mult de 3 luni, bateria trebuie încărcată o dată la fiecare 3 luni.

PRIMA UTILIZARE

După primele 9 ore de utilizare, verificați toate piesele componente pentru a vă asigura că nu a fost nimic deteriorat sau slăbit în timpul operării. Verificați dacă sunt defecțiuni vizibile sau scurgeri.

ÎNGRIJIRE ȘI ÎNTREȚINERE

Prin întreținerea la timp și executată în mod corect se asigură durată maximă de viață a mașinii și funcționarea ei în condiții de siguranță.

În tabelul următor se dă planul general de întreținere a mașinii. Intervalele de timp pentru efectuarea operațiilor de întreținere sunt determinate în mare măsură de durata de funcționare a mașinii. Aceste intervale de timp trebuie stabilite de personalul responsabil cu întreținerea.

**ATENȚIE!**

Numai după ce mașina este oprită și bateria decuplată se vor efectua aceste proceduri. Înainte de începerea oricărei proceduri de întreținere, vă rugăm studiați cu atenție secțiunile referitoare la aceasta.

Toate operațiunile de întreținere planificate sau suplimentare trebuie efectuate de personal calificat sau de centre de service autorizate.

Acest manual abordează numai cele mai simple și mai des întâlnite proceduri de întreținere.

Pentru orice proceduri de întreținere, altele decât cele stabilite în tabelul cu operațiunile planificate de întreținere, consultați manualul de întreținere din centrele de service.

TABEL CU GRAFICUL DE ÎNTREȚINERE

Procedură	Zilnic, mașină după utilizare	săptămâ nal	la fiecare 6 luni	anual
schimbarea bateriei				
curățarea mopului				
Curățarea periei/ suportului bucății de material				
Curățați rezervorul de apă și filtrul flotor, verificați garniturile de etanșare ale rezervorului de apă				
Verificați și schimbați banda mopului				
Curățați filtrul de soluție				
Curățați filtrul pompei de vid				
Verificați nivelul de lichid în bateria WET				
Verificați ca șuruburile și piulițele să fie bine strânse			(1)	
Verificați sau schimbați peria sau suportul pentru bucata de material				(2)
Verificați sau schimbați peria de la pompa de vid				(2)

(1) Aceasta se va face după 9 ore de funcționare a mașinii.

(2) Aceste proceduri de întreținere trebuie efectuate de un centru service autorizat VIPER.

ÎNCĂRCAREA BATERIEI

**NOTĂ**

Bateria se va încărca atunci când se aprind LED-urile galben sau roșu.

**ATENȚIE!**

Mențineți bateria în stare de încărcare completă pentru a-i extinde durata de funcționare.

**ATENȚIE!**

Când puterea bateriei a devenit insuficientă, bateria trebuie încărcată imediat. Verificați încărcătorul cel puțin o dată pe săptămână.

**ATENȚIE!**

Dacă nu există încorporat un încărcător de baterie, alegeți un încărcător adecvat.

**ATENȚIE!**

Se va da o atenție deosebită încărcării bateriei întrucât pot exista scurgeri de acid în timpul procesului de încărcare. Acidul din baterie este coroziv. Dacă accidental vine în contact cu pielea sau ochii dvs. spălați cu multă apă și consultați un doctor.

1. Deschideți capacul rezervorului de recuperare (25) și vedeți dacă este gol sau nu. Dacă nu este goală, goliți-o prin intermediul furtunului de scurgere. (15).
2. Duceți mașina într-un loc special amenajat pentru încărcare.
3. Apăsăți comutatorul (41) la poziția "O" și opriți mașina.
4. Se va adăuga apă numai în cazul tipului de baterie WET
 - Verificați nivelul electrolitului din baterie. Dacă e necesar, umpleți până la capac.
 - Țineți deschise toate capacele.
 - Dacă este necesar, curățați suprafața superioară a bateriei.
5. Alegeți una din procedurile următoare pentru a încărca bateria, în funcție de modelul bateriei utilizate.

Încărcarea bateriei cu un încărcător extern

6. Verificați, conform manualului, dacă e cazul folosirii unui încărcător extern. Tensiunea de alimentare trebuie să fie de 24V c.c.
7. Conectați bateria la conectorul extern și pe acesta la o priză de perete.

8. Când încărcarea este completă, conectați bateria la mașină.

Încărcarea bateriei cu încărcătorul încorporat (opțional)

9. Scoateți capacul de cauciuc de la capătul conectorului de încărcare a bateriei.
10. Conectați capătul conectorului de încărcare al bateriei la o priză de perete prin intermediul unui cablu electric. (Verificați dacă tensiunea de alimentare a încărcătorului încorporat este de 220V – 240V și tensiunea de ieșire 24V și dacă frecvența este cea adecvată.) Când încărcătorul va fi conectat la priză, toate celelalte funcțiuni vor fi întrerupte imediat. LED-ul roșu aprins în mod constatnt la încărcătorul încorporat indică faptul că are loc procesul de încărcare al bateriei.
11. Când LED-ul verde (47) este aprins, indică faptul că încărcarea bateriei este gata.
12. Când încărcarea bateriei este completă, scoateți cablul de conectare de la baterie și de la alimentarea cu energie și puneți-l pe capacul de cauciuc.
13. Deconectați încărcătorul de la alimentarea cu energie și rulați-l pe tambur (6).



NOTĂ

Dacă sunt necesare alte informații despre încărcătorul încorporat (35) consultați manualul acestuia.

CURĂȚAREA MOPULUI



NOTĂ

Pentru un rezultat optim de colectare a apei prin aspirare, mopul trebuie menținut curat și banda acestuia trebuie să fie păstrată în condiții bune.



ATENȚIE !

La curățarea mopului, se recomandă purtarea mănușilor de protecție întrucât pe mop se pot găsi fragmente ascuțite.

1. Deplasați mașina pe o suprafață plană și uniformă.
2. Apăsăți comutatorul (41) la poziția "O" și opriți mașina.
3. Deșurubați mânerul fix (16) al mopului, decuplați conectorul ce leagă tubul de aspirare de mop și scoateți mopul.
4. Cu ajutorul mânerului mopului (14) ridicați mopul pe cadrul suport.
5. Curățați mopul (**Figura 15**). Curățați în mod special canelura (**A, Figura 15**) și murdăria și așchiile din tubul de aspirare. Verificați dacă partea din față a tălpii mopului (C) și partea din spate (D) sunt fisurate și dacă marginile sunt crăpate. Schimbați-le dacă este necesar (vedeți pașii din următoarea secțiune).
6. Reinstalați mopul efectuând operațiunile de mai sus în ordine inversă.

VERIFICAREA ȘI ÎNLOCUIREA TĂLPILOR MOPULUI

1. Aplicați operațiunile de curățare a mopului descrise în secțiunea anterioară (**Figura 15**)
2. Verificați marginea (**E, Figura 15**) tălpii din față a mopului (F) și marginea tălpii din spate (D). Pe toată lungimea, acestea trebuie să fie la același nivel. În caz contrar, ajustați-le înălțimea aplicând următoarea procedură.
 - Desfaceți clema (G) pentru a separa talpa mopului (D) de cadrul (M) pentru ajustarea poziției mopului. După reglare, fixați clema din nou.
 - Deșurubați șurubul de pe mânerul (I) pentru a ajusta talpa din față a mopului (C); după ajustare strângeți șurubul de pe mâner.
3. Verificați dacă talpa din față a mopului (C) și talpa din spate (D) este intactă și dacă sunt fisuri sau marginile sunt crăpate. Dacă e necesar, verificați-le în felul următor. Verificați marginea din față a tălpii din spate a mopului (J) pentru a vedea dacă e uzată. În caz de uzură, se poate instala cu partea de jos în sus (marginea de sus trebuie să fie intactă). Dacă și marginea de sus este uzată, schimbați-o conform procedurii de mai jos:
 - Desfaceți clema (G) ca să separați talpa de cadrul (M), scoateți clema de prindere (K), și apoi schimbați sau inversați talpa din spate a mopului (D) cu susul în jos. Reinstalați talpa mopului efectuând operațiunile în ordine inversă.
 - Deșurubați șurubul de pe mâner (I) și scoateți clema de prindere (L), apoi schimbați mopul din față (C).
Reinstalați talpa mopului din față în ordinea inversă.

După schimbarea tăpii mopului (sau instalarea acesteia cu partea de sus în jos), ajustați nivelul tălpilor din față și spate conform procedurilor descrise mai sus.

4. Verificați tubul de aspirare (11) al mopului.
5. Instalați mopul și folosiți butonul rotund (16) pentru a-l fixa, apoi conectați tubul de aspirare la mop.
6. Dacă e necesar, ajustați mopul cu volanta (20) (vedeți procedurile de ajustare a echilibrului mopului).

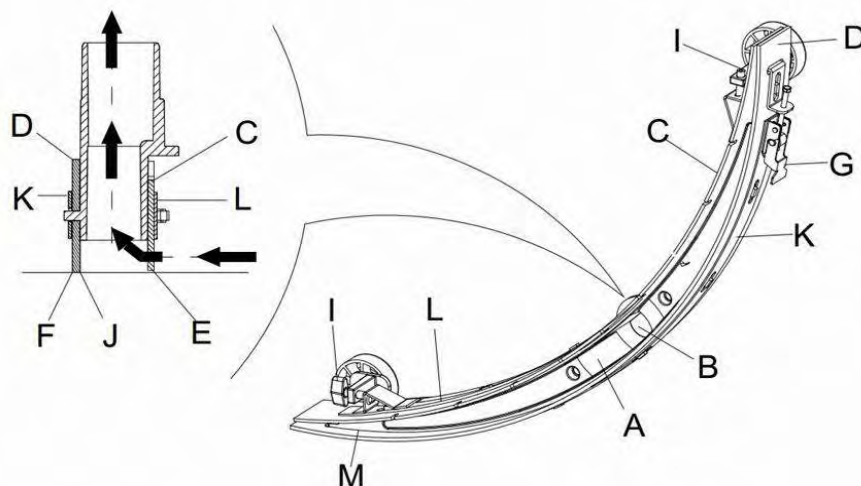


Figura 15

CURĂȚAREA PERIEI/ MAETRIALUL DE POLIȘARE



ATENȚIE!

La curățarea periei/ suportului bucății de material, se recomandă purtarea de mănuși de protecție întrucât pot exista așchii ascuțite.

1. Conform procedurilor descrise mai sus, scoateți peria /suportul de material.
2. Curățați peria/ suportul pentru bucata de material folosind apă și detergent.
3. Verificați starea de uzură și integritate în care se află perii periei și dacă este necesar schimbați-o.
4. Verificați starea de uzură a suportului pentru bucata de material și, dacă este nevoie, schimbați-l.

CURĂȚAREA REZERVORULUI DE APĂ ȘI A FILTRULUI FLOTOR

1. Duceți mașina într-un loc amenajat pentru curățare și depozitare gunoi.
2. Puneți comutatorul (41) pe poziția "O" pentru a opri mașina.
3. Deschideți capacul apei de colectare (A, Figura 16) și scoateți flotorul (36) din rezervorul de apă de colectare.
4. Folosiți apă curată pentru spălarea capacului rezervorului (A), rezervorul (B și C), și cadrul suport al filtrului flotor (E). Goliți toată apa din rezervor prin tubul de colectare apă (15).
5. Dacă este necesar, urmând simbolurile "Deschis" și "Închis" după cum se arată în Figura 16, deschideți capacul (F) de la baza filtrului flotor și curățați flotorul (D), cadrul suport al filtrului flotor (E) și buretele filtrului (I). După spălare, fixați flotorul pe cadrul suport al filtrului flotor (E), și apoi aliniați marcajul șanț (L) de la partea de jos a capacului (F) filtrului flotor cu marcajul șanț (L) de pe cadrul suport al filtrului flotor (E). Închideți strâns capacul (F) de la partea de jos a filtrului flotor și fixați buretele filtrului (I) pe cadrul suport al filtrului flotor (E), și apoi pe tubul de aspirare (M).
6. Verificați soliditatea inelului de etanșare (G) al capacului rezervorului de apă.



NOTĂ

Garnitura de etanșare (G) a rezervorului de apă face să se creeze un vid în rezervor. Etanșarea trebuie să fie perfectă pentru a se putea sorbi apa reziduală de pe podea.

Dacă este necesar, garnitura de etanșare a rezervorului (G) se scoate din locașul canelură (H) și se schimbă. Când se montează o nouă garnitură de etanșare, ca în Figura 16 de mai jos, instalați conectorul la mijlocul părții din spate.

7. Verificați dacă suprafața pe care se aplică garnitura (G) este intactă și etanșarea se face corespunzător.

8. Închideți capacul apei colectate (A).

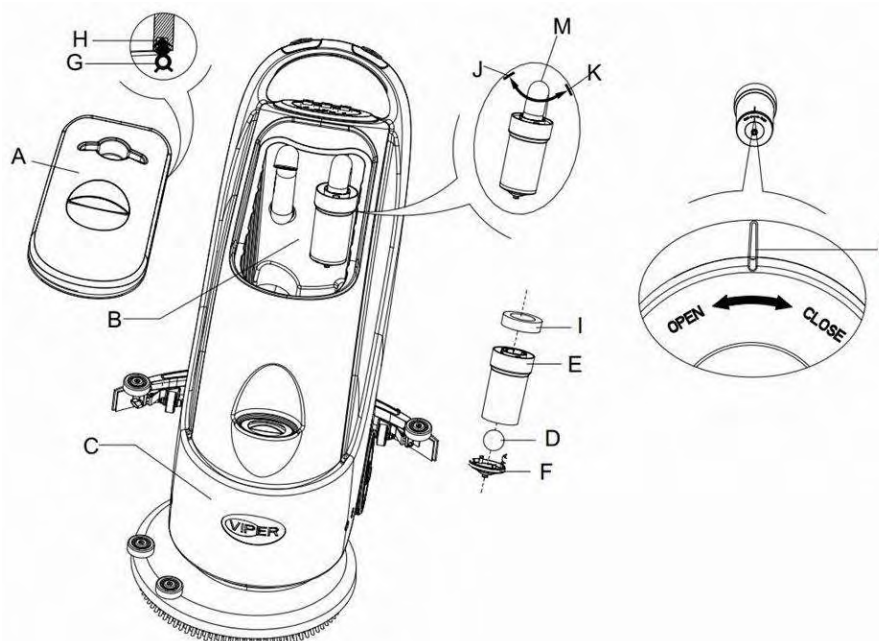


Figura 16

CURĂȚAREA FILTRULUI DE SOLUȚIE

1. Goliți toată apa din rezervorul de soluție în felul arătat la secțiunea respectivă.
2. Deplasați mașina pe o suprafață plană și fără denivelări.
3. Apăsăți comutatorul (41) la poziția "O" și opriți mașina.
4. Închideți supapa cu bilă (A, Figura 17) amplasată la partea inferioară a mașinii, în spatele roților. Puneți supapa cu bilă B pe poziția deschis, iar supapa cu bilă C pe poziția închis.
5. Scoateți capacul transparent (D), apoi scoateți filtrul (E), și apoi puneți-le în cutia filtrului (F) după curățare.



NOTĂ

Filtrul (E) trebuie instalat corespunzător pe poziția proiectată (G).

6. Deschideți supapa cu bilă, de evacuare (A).

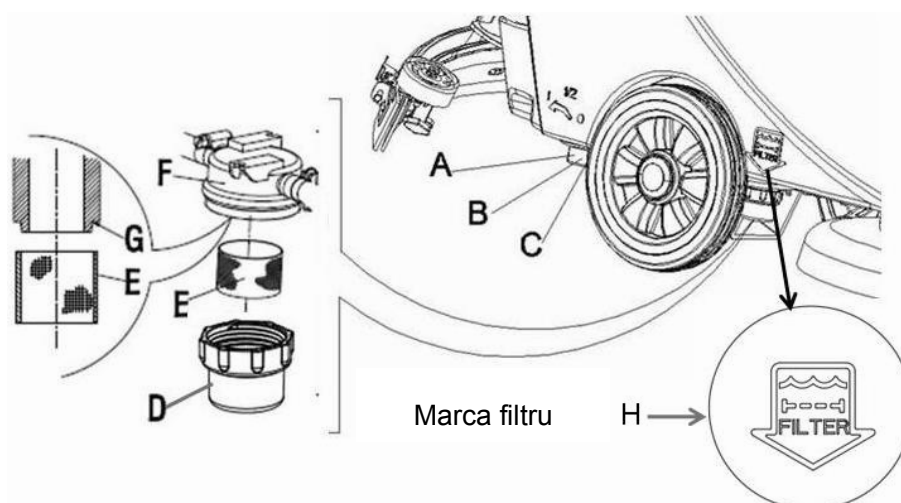
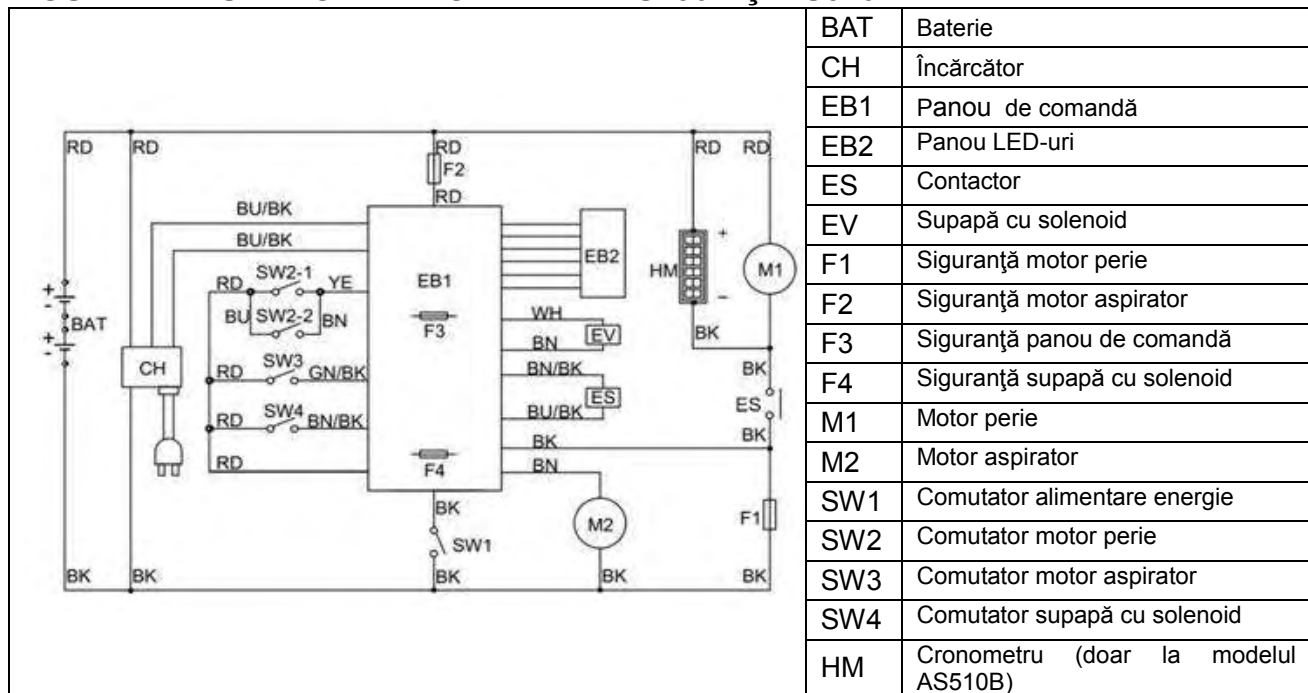


Figura 17

FIGURA CIRCUITELOR LA MODELELE AS430B ȘI AS510B



COD CULORI

RD = roșu	BN = maro	BU/BK = albastru/negru
BU = albastru	YE = galben	GN/BK = verde/ negru
BK = negru	WH = alb	BN/BK = maro/ negru

DEPANARE

Demontare	Cauze probabile	Remediere
Mașina nu funcționează: LED-ul nu e aprins	Conectorul bateriei (9) nu este conectat	Conectați bateria
	Puterea bateriei este consumată	Încărcați bateria
LED-urile de avertizare (39 și 40) licăresc	Motor rașchetă în suprasarcină	Înlocuiți cu o perie mai moale pentru adaptarea la podeaua care se curăță
	Corpuri străine blochează rotirea periei	Curățați peria
Peria nu funcționează	Decuplare siguranță perie	Resetare
	Cureaua alunecă	Verificați cureaua, ajustați roțile de antrenare
Motorul de aspirare nu funcționează	Decuplare siguranță aspirator	Resetare
Aspirare necorespunzătoare	Rezervorul de apă colectată e plin	Goliți rezervorul
	Tubul de aspirare și mopul nu sunt corespunzător conectate	Conectați tubul de aspirare și mopul
	Filtrul flotor blocat sau admisia blocată	Curățați filtrol flotor, verificați bila flotoare
	Mop murdar sau talpa mopului uzată sau deteriorată	Curățați și verificați mopul
	Capacul rezervorului apei colectate nu se închide bine sau garnitura de etanșare este deteriorată	Repoziționați corect capacul sau schimbați garnitura de etanșare
Apa curată nu mai curge în mod corespunzător la perie	Filtru murdar	Curățați filtrul
Mopul lasă urme	Sunt resturi, precum așchiile sub talpa mopului	Scoateți așchiile
	Talpa mopului este uzată, crăpată, ciobită	Schimbați talpa mopului
	Nu este reglat echilibrul mopului	Echilibrați mopul

**NOTĂ**

Dacă mașina are instalat un încărcător opțional încorporat, și când cesta este defect, mașina cu poate funcționa.

Dacă încărcătorul încorporat este defect, consultați un centru autorizat de întreținere.

Pentru mai multe informații, consultați manualul de întreținere (disponibil la centrele de întreținere VIPER)

DEZAFECTAREA MAȘINII

Folosiți un utilaj anume de sfărâmare pentru distrugerea acestei mașini.

Înainte de a distruge mașina, scoateți următoarele materiale care, în conformitate cu legislația referitoare la aceasta, trebuie prelucrate în mod corespunzător.

- Bateria
- Peria/suportul pentru bucata de material
- Furtunuri de plastic și componente din PVC
- Electrical and electronic components (*)

(*): Vă rugăm contactați cel mai apropiat Centru VIPER (mai ales dacă e necesară scoaterea componentelor electrice și electronice).

ОГЛАВЛЕНИЕ

ВВЕДЕНИЕ	239
СОДЕРЖАНИЕ РУКОВОДСТВА	239
ЦЕЛЬ	239
ЗАПЧАСТИ И ХРАНЕНИЕ	239
ИЗМЕНЕНИЯ И МОДЕРНИЗАЦИЯ	239
МАСШТАБ ПРИМЕНЕНИЯ	239
РАСПАКОВКА/ТРАНСПОРТИРОВКА	239
ОСНОВНОЕ РУКОВОДСТВО ПО БЕЗОПАСНОСТИ	240
ТЕХНИЧЕСКИЕ ДАННЫЕ	241
ОПИСАНИЕ МАШИНЫ	241
СТРУКТУРА МАШИНЫ	241
ПАНЕЛЬ УПРАВЛЕНИЯ (Рисунок 2)	242
ОКНО ДИСПЛЕЯ СВЕТОВОГО ИНДИКАТОРА ЗАРЯДНОГО УСТРОЙСТВА (Рисунок 3)	243
РУКОВОДСТВО ПО ИСПОЛЬЗОВАНИЮ	243
УСТАНОВКА И НАСТРОЙКА БАТАРЕИ НОВОЙ МАШИНЫ	243
УСТАНОВКА БАТАРЕИ И НАСТРОЙКА ТИПА БАТАРЕИ (WET OR GEL/AGM)	244
ПЕРЕД ЗАПУСКОМ МАШИНЫ	245
УСТАНОВКА И СНЯТИЕ ЩЕТКИ/ДЕРЖАТЕЛЯ НАСАДКИ	245
НАСТРОЙКА БАЛАНСА ВАЛИКА	246
РЕГУЛИРОВАНИЕ ОБЪЕМА ПОДАЧИ ВОДЫ	247
ЗАПУСК И ОСТАНОВКА УСТРОЙСТВА	247
РАБОТА УСТРОЙСТВА (ЧИСТКА И СУШКА)	248
ОПОРОЖНЕНИЕ РЕЗЕРВУАРА	248
ПРАВИЛА ИСПОЛЬЗОВАНИЯ УСТРОЙСТВА	249
ПЕРИОДЫ БЕЗДЕЙСТВИЯ	249
ПРИ ПЕРВОМ ЗАПУСКЕ	250
ТЕХНИЧЕСКОЕ ОБСЛУЖИВАНИЕ И УХОД	250
ТАБЛИЦА-ПЛАН ПРОЦЕДУР ПРОФИЛАКТИЧЕСКОГО ОБСЛУЖИВАНИЯ	250
ЗАРЯДКА БАТАРЕИ	251
ОЧИСТКА ЩЕТКИ	252
ЗАМЕНА И ПРОВЕРКА ЛЕЗВИЯ ЩЕТКИ	252
ОЧИСТКА КИСТИ/ПОЛИРОВАЛЬНОЙ ПОДУШКИ	253
ОЧИСТКА РЕЗЕРВУАРА ДЛЯ ВОДЫ И ФИЛЬТРА-ПОПЛАВКА	253
ОЧИСТКА ФИЛЬТРА ДЛЯ РАСТВОРА	254
РИСУНОК ЭЛЕКТРИЧЕСКИХ ЦЕПЕЙ AS430B И AS510B	255
УСТРАНЕНИЕ НЕИСПРАВНОСТЕЙ	256
УТИЛИЗАЦИЯ УСТРОЙСТВА	256

ВВЕДЕНИЕ



ПРИМЕЧАНИЕ

Цифры в скобках относятся к соответствующим компонентам, показанным в секции Описание устройства.

СОДЕРЖАНИЕ РУКОВОДСТВА

Данное руководство должно предоставить оператору необходимую информацию по использованию данного устройства правильно и безопасно. Информация включает в себя технические характеристики, безопасность, эксплуатацию, хранение, техническое обслуживание и утилизацию машины. Оператор и техники с соответствующей квалификацией должны изучить данное руководство перед началом эксплуатации и технического обслуживания аппарата. Пожалуйста, свяжитесь с VIPER для любых запросов по разъяснению данного руководства или при необходимости дальнейшей информации.

ЦЕЛЬ

Цель данного руководства заключается в предоставлении оператору и квалифицированным специалистам информации по выполнению технического обслуживания данного устройства. Оператор не должен выполнять те операции, которые должны выполняться только техниками. VIPER не будет нести ответственность за любой вред, причиненный в результате нарушения этого правила.

ЗАПЧАСТИ И ХРАНЕНИЕ

Все необходимые операции, техническое обслуживание и ремонтные работы должны выполняться квалифицированным персоналом или в сервисных центрах VIPER. Только авторизованные запасные части и принадлежности должны быть использованы. Если необходимо обслуживание и заказ запасных частей или аксессуаров, пожалуйста, свяжитесь с VIPER и укажите номер модели машины и серийный номер.

ИЗМЕНЕНИЯ И МОДЕРНИЗАЦИЯ

VIPER осуществляет постоянную модернизацию своей продукции. VIPER оставляет за собой право на изменения и модернизацию машин, а также право решать являются ли преимущества, вызванные изменениями, применимыми к уже проданной продукции. Все изменения или дополнительные аксессуары должны быть согласованы с VIPER, и должны производиться компанией.

МАСШТАБ ПРИМЕНЕНИЯ

Данная жесткая щетка используется в бытовой и промышленной сфере, и подходит для очистки гладких и твердых полов (очистка и сбора сточных вод). Она должна использоваться квалифицированным оператором и в безопасной среде. Данная щетка не может быть использована для очистки на открытом воздухе, на коврах и на относительно грубых поверхностях.

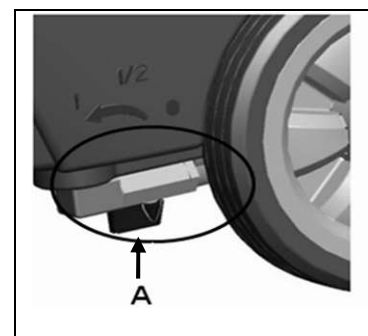
РАСПАКОВКА/ТРАНСПОРТИРОВКА

Пожалуйста, внимательно следуйте инструкциям на упаковке при распаковке. При поставке, пожалуйста, проверьте упаковку и устройство, чтобы убедиться в отсутствии возможных повреждений во время транспортировки. Если есть какие-либо видимые повреждения, пожалуйста, сохраняйте первоначальный вид, и спросите перевозчика о подтверждении и заполните список ущерба для компенсации.



— ОСТОРОЖНО

При распаковке и разгрузке, или во время перемещения машины по земле, пожалуйста, позаботьтесь об избежании удара переключателя ВКЛ/ВЫКЛ, регулирующего расход воды, часть А на рисунке справа.



Убедитесь, что машина оснащена следующим компонентами:

1. Технические документы

- Инструкция по применению жесткой щетки
 - Инструкция по применению бортового зарядного устройства (если оснащено)
2. разъем для подключения зарядного устройства (если не оснащено бортовым зарядным устройством, он находится на указанном внешнем зарядном устройстве)

ОСНОВНОЕ РУКОВОДСТВО ПО БЕЗОПАСНОСТИ

Ниже приведены специальные предупреждения и уведомления о потенциальных повреждениях (персонала и машины):



ПРЕДУПРЕЖДЕНИЕ!

- Машина может работать только под руководством настоящего руководства. Только аксессуары, рекомендованные корпорацией VIPER, должны использоваться.
- Данная машина должна использоваться только правильно обученным или уполномоченным персоналом. Дети или ненадлежащие лица не должны использовать эту машину.
- При нормальных условиях эксплуатации, батарея может выделять горючий газ. Батарея должна содержаться вдали от излучающих, осветительных и горящих предметов, а также искр. Когда машина используется, пожалуйста, убедитесь, что окружающая среда хорошо проветривается и устройство находится вдали от открытого огня. При зарядке, пожалуйста, не курите в непосредственной близости от машины.
- Пожалуйста, отсоедините батарею до проведения какого-либо технического обслуживания / ремонта.
- Перед использованием бортового зарядного устройства, пожалуйста, убедитесь, что значения напряжения и частоты, указанные на наклейке с серийным номером совпадают с сетью.
- При работах вблизи электрических частей, пожалуйста, не носите ювелирные украшения. Пожалуйста, соблюдать все меры предосторожности, чтобы избежать попадания волос, ювелирных изделий, и свободной одежды на какие-либо движущиеся части машины.
- Пожалуйста, не используйте эту машину в очень загрязненных помещениях. Не мойте машину непосредственно водой. Не позволяйте машине контактировать с едкими жидкостями.
- Температура для хранения и для рабочей среды машины должна быть в пределах 0 – 40 С.
- Влажность воздуха должна быть в пределах 30% - 105%.
- Пожалуйста, не используйте машину на склоне с уклоном более 2%.
- В случае пожара, пожалуйста, используйте порошковые огнетушители. Не используйте жидкие огнетушители.
- Особое внимание должно быть уделено при транспортировке машины при температуре ниже 0 С. Резервуар для воды и вода в шлангах может замерзнуть и вызвать серьезные повреждения машины.
- Используйте щетки и насадки, поставляемые с машиной и которые указаны в руководстве пользователя. Использование других щеток или насадок может привести к снижению безопасности.
- В случае неисправности машины, пожалуйста, убедитесь, что оно не вызвано отсутствием технического обслуживания. Если это вызвано другими условиями, пожалуйста, обратитесь за помощью к квалифицированному персоналу или в сервисный центр.
- Если подтвердится, что запасные части должны быть заменены, пожалуйста, приобретите оригинальные запчасти у официальных дилеров или агентов.
- В целях обеспечения безопасной и правильной эксплуатации машины, пожалуйста, позвольте квалифицированному персоналу или сервисному центру выполнить плановое техническое обслуживание в соответствии с графиками обслуживания в соответствующих разделах данного руководства.
- Данная машина должна быть надлежащим образом утилизирована, потому что там могут существовать ядовитые и опасные вещества (батареи и т.д.), и эти вещества должны быть утилизированы специальными центрами в соответствии с соответствующими законами и правилами (пожалуйста, обратитесь к разделу об утилизации машины).

ТЕХНИЧЕСКИЕ ДАННЫЕ

Модель	AS430B	AS510B
Вес машины	980мм	
Емкость бака для раствора	40 л	
Емкость бака восстановления	40 л	
Диаметр транспортного колеса	200мм	
Диаметр направляющего колеса	76мм	
Мощность двигателя вакуумной системы	350Вт	
Максимальный уклон при работе	2% (Max)	
Уровень звукового давления на рабочей станции	70дБ(А) ±3дБ(А)	
Стандартные батареи	(2×12V) 24V 85Ah AGM	(2×12V) 24V 105Ah AGM
Размер батарейного отсека (Ш x Д x В)	340 x 330 x 260мм(Макс)	
Отключающая способность вакуумной системы	1200 мм Н ₂ O	
Ширина очистки	430мм	510мм
Ширина валика	730мм	790мм
Максимальная длина машины	1060мм	1100мм
Ширина машины без валика	480мм	540мм
Диаметр щетки	430мм	510мм
Вес с батареями и пустыми баками	112кг	128кг
Полная масса машины, готовой к использованию	152кг	168кг
Мощность двигателя щетки	550Вт	560Вт
Скорость щетки	150об/мин	
Максимальное давление щетки/держателя насадки	30кг (Макс)	35кг(Макс)
Размер упаковки (Дх Ш x В)	1200 x 610 x 1170мм	

ОПИСАНИЕ МАШИНЫ

СТРУКТУРА МАШИНЫ

- | | |
|---|---|
| 1. Кнопка аварийного отключения | 20. Установочный маховичок валика |
| 2. Руль | 21. Задняя опорная рамка валика |
| 3. Панель управления | 22. Передняя опорная рамка валика |
| 4. Табличка с серийным номером/Технические данные / Сертификат соответствия | 23. Держатель емкости |
| 5. Управляющая головка | 24. Ручка крышки бака восстановления |
| 6. Держатель кабеля (*) | 25. Крышка бака восстановления |
| 7. Световой индикатор заряда батареи | 26. Корпус бака |
| 8. Кнопка сброса | 27. Крышка отверстия для воды |
| 9. Разъем аккумулятора | 28. Настил щетки |
| 10. Батарейный отсек | 29. Держатель щетки/насадки |
| 11. Вакуумная трубка для отходов | 30. Двигатель вакуумной системы |
| 12. Вытягивающий шнур валика | 31. Двигатель щетки |
| 13. Защитная крышка разъема аккумулятора | 32. 8" колесо |
| 14. Поднимающая ручка валика | 33. Аккумулятор |
| 15. Сливной шланг | 34. Вакуумная трубка |
| 16. Фиксированная ручка валика | 35. Зарядное устройство (*) |
| 17. Зажим валика | 36. Плавающий фильтр |
| 18. Лопасть валика | 37. Трубка уровня воды (для указания количества воды в баке раствора) |
| 19. Опорная рамка валика | |

(*) применимо только для машин уже оборудованных бортовым зарядным устройством (дополнительно)

РИСУНКИ СТРУКТУРЫ МАШИНЫ

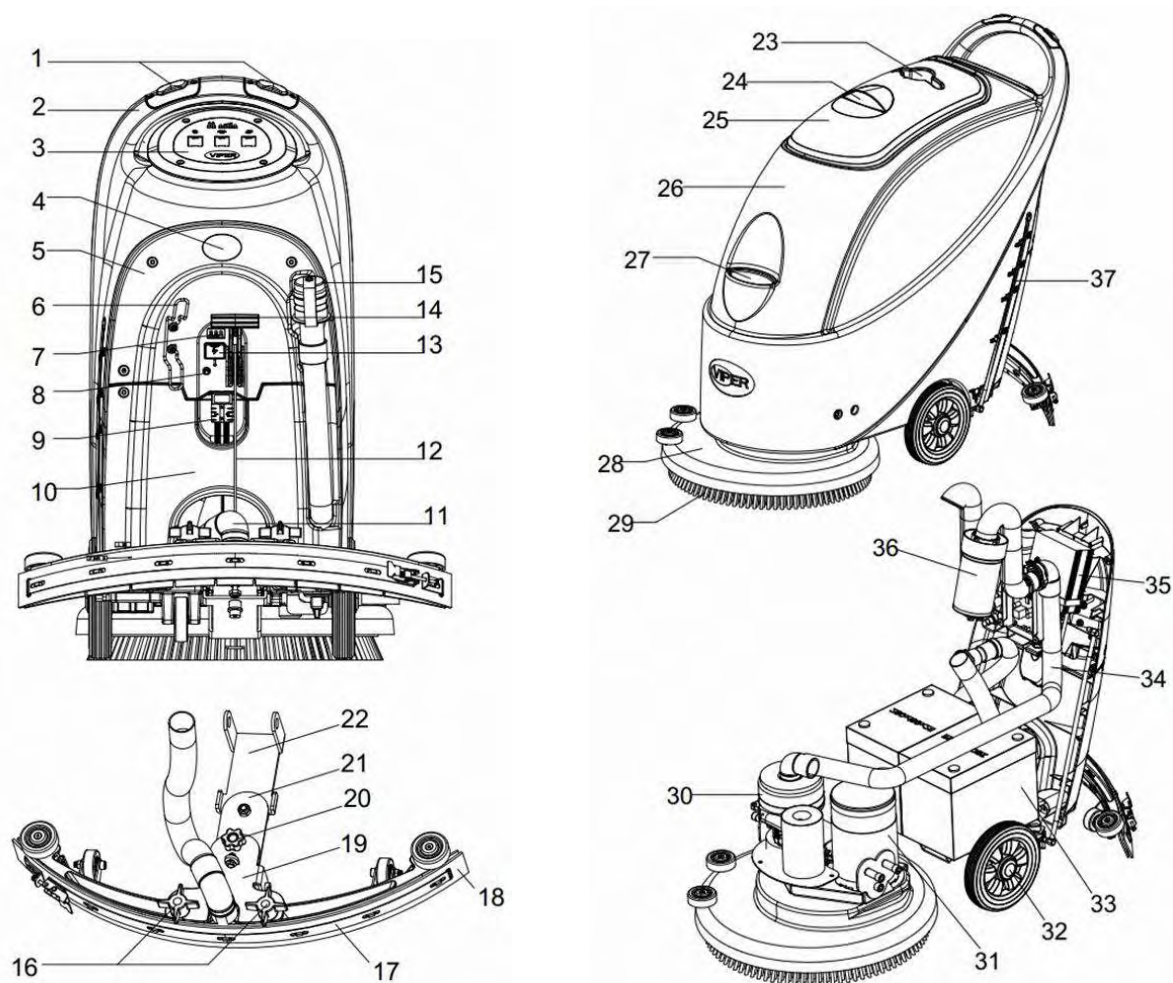


Рисунок 1

ПАНЕЛЬ УПРАВЛЕНИЯ (Рисунок2)

- 38. Световой индикатор заряда батареи (зеленый, когда заряжен)
- 39. Световой индикатор разряженной батареи (красный)
- 40. Световой индикатор разряженной батареи (красный)
- 41. Выключатель питания
- 42. Вакуумный переключатель
- 43. Таймер (дополнительно, используется для записи рабочего времени щетки)
- 44. Переключатель электромагнитного клапана для контроля распыления воды

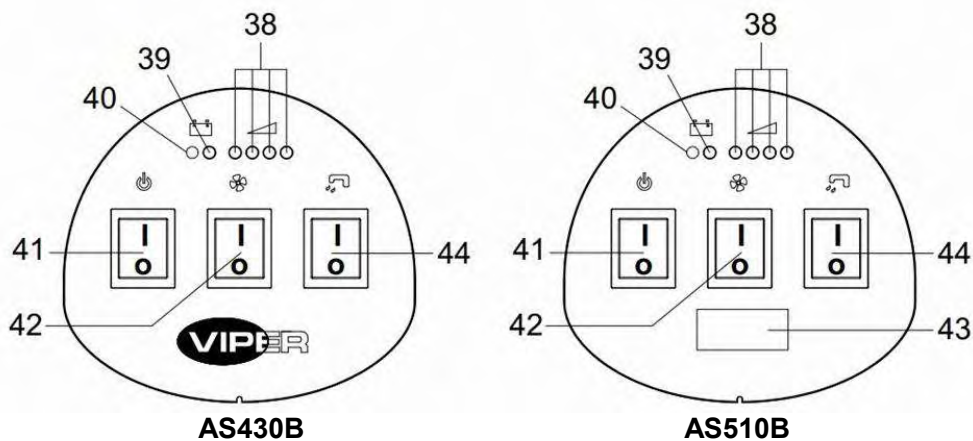
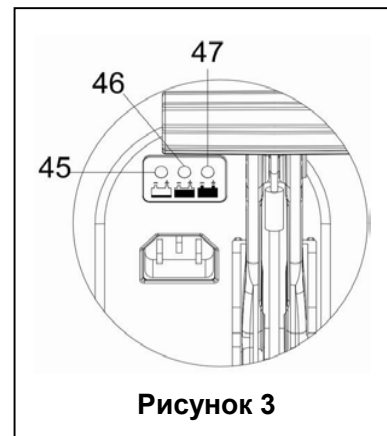


Рисунок 2

ОКНО ДИСПЛЕЯ СВЕТОВОГО ИНДИКАТОРА ЗАРЯДНОГО УСТРОЙСТВА (Рисунок 3)

(Дополнительно, применимо к моделям со встроенным зарядным устройством)

1. Когда начинается зарядка, красный световой индикатор зарядного устройства (45) мигает несколько раз и затем стабилизируется, становясь постоянным красным световым индикатором, вступающим в первый этап зарядки;
2. После зарядки в течение некоторого периода времени, красный световой индикатор зарядного устройства (45) погаснет, желтый световой индикатор (46) загорается постоянно: вступает второй этап зарядки;
3. После зарядки в течение примерно 10 часов, желтый световой индикатор (46) погаснет, (47) зеленый световой индикатор начинает постоянно гореть, показывая, что заряд полный, и зарядка закончилась.



ПРИМЕЧАНИЕ

- 1) Во время зарядки, если желтый световой индикатор мигает: тип батареи не совместим с зарядным устройством, или батарея подключена неправильно, или короткое замыкание произошло на выходной клемме.
- 2) Если красный световой индикатор мигает: произошло короткое замыкание внутри зарядного устройства. (Более подробную информацию смотрите в соответствующих разделах в инструкции зарядного устройства.)

РУКОВОДСТВО ПО ИСПОЛЬЗОВАНИЮ



ПРЕДУПРЕЖДЕНИЕ

На некоторых частях машины проставлены некоторые указательные знаки:

- ОПАСНОСТЬ
- ПРЕДУПРЕЖДЕНИЕ
- ОСТОРОЖНО
- КОНСУЛЬТАЦИЯ

При чтении данного руководства, оператор должен обратить особое внимание на символы на этих знаках. Ни при каких обстоятельствах эти знаки не должны быть закрыты. Если они повреждены, пожалуйста, немедленно замените.

УСТАНОВКА И НАСТРОЙКА БАТАРЕИ НОВОЙ МАШИНЫ



ПРЕДУПРЕЖДЕНИЕ

Если батарея установлена неправильно или неточно подключена, электрические компоненты машины могут быть серьезно повреждены. Батарея может быть установлена только квалифицированным персоналом. В соответствии с номером модели используемой батареи (WET или GEL), установите функциональную монтажную плату и бортовое зарядное устройство (дополнительно).

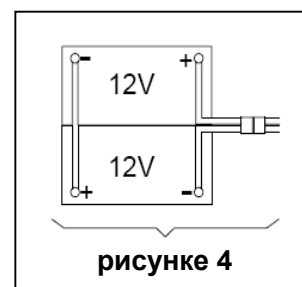
Пожалуйста, проверьте перед установкой, повреждена ли батарея.

Отсоедините разъем батареи и штекер бортового зарядного устройства.

Будьте осторожны, прикасаясь к батарее.

Данной машине подходят 2 (2) 12В батареи. Пожалуйста, подсоедините, как показано на рисунке 4 справа.

Данная машина может поставлять любую из следующих моделей:



а) Батареи (WET или GEL/ AGM) уже установлены и могут использоваться в любое время.

1. Проверьте батарею. Через разъем (9) подключите батарею к машине.
2. (Только для AS430B и AS510B): Нажмите вниз переключатель вкл/выкл (41). Если горит зеленый свет, это значит, что батарея готова к использованию. Если желтый или красный свет горит, это показывает, что батарея нуждается в зарядке. (Пожалуйста, обратитесь к разделу по техническому обслуживанию для соответствующих процедур).

б) Без батарей

1. Купите аналогичную батарею (обратитесь к разделу о технических параметрах). Информация о выборе батареи может быть получена у квалифицированных агентов батарей.
2. Установите машину и бортовое зарядное устройство (при наличии) в соответствии с типом батарей (WET or GEL/AGM). Также читайте следующий абзац о том, как установить батарею.

УСТАНОВКА БАТАРЕИ И НАСТРОЙКА ТИПА БАТАРЕИ (WET OR GEL/AGM)

В соответствии с типом аккумулятора (WET or GEL/AGM) установите электрическую монтажную плату на бортовое зарядное устройство. Выполните следующие процедуры:

1. Убедитесь, что разъем батареи отсоединен. Если машина на основе "AGM" батареи во время предыдущих заводских настроек, перейдите непосредственно к шагу 8; в противном случае, выполните шаги 2, 3, и 4.
2. Снимите сливной шланг (15)
3. Если машина оснащена бортовым зарядным устройством, пожалуйста, снимите зарядный провод от катушки.
4. Снимите крышку (5), а также винты крышки батарейного отсека (10). Удалите винты на подставке PCB. DIP-переключатель (B) для регулировки модели батареи можно увидеть, когда переворачиваете PCB плату. (Смотрите **рисунок 5**)
5. Отрегулируйте микро DIP переключатель (B) в положение "WET",
6. Выполните шаги 3, 4 и 5 в обратном порядке.

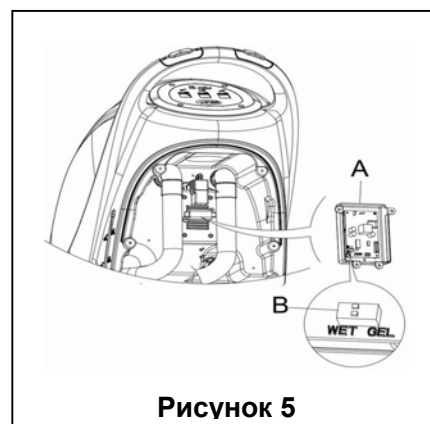


Рисунок 5

Установка батарей

7. Отсоедините разъем батареи (9).
8. Откройте крышку бака (25) и проверьте, пуст ли бак или нет, а если нет, то опустошите его через сливной шланг (15).
9. Отвинтите фиксированную ручку валика (16), снимите разъем подключения вакуумной трубки для отходов (11) к валику, и затем снимите валик.
10. Открутите винты крышки батареи (10) и снимите крышку.
11. Открутите разъем вытягивающегося шнура валика (12) подключенного к кронштейну валика (19), и повесьте вытягивающийся шнур валика вверх.
12. Повесьте сливной шланг (15) и вакуумную трубку для отходов (11) вверх.
13. В соответствии с размером батареи, нажмите фиксирующую плату в батарейном блоке полностью внутрь.

ПРИМЕЧАНИЕ



Размерность батареи не должна превышать: В x Ш x В: 330мм x 170мм x 260мм. В соответствии с различными размерами батарей, требования к отбору фиксированных батарей следующие:

- 1) Для батарей с длиной менее 270 мм, используйте 2 части фиксирующей платы (**B**, **рисунок 6**) и разместите их рядом друг с другом внутри батареи водного бака;
- 2) Для батарей с длиной между 310мм-270мм, используйте 1 часть фиксирующей платы (**B**, **рисунок 6**) и поместите ее в батарею водного бака;
- 3) Для батарей с длиной между 330мм-310мм, нет необходимости для фиксирующей платы, чтобы зафиксировать положение.

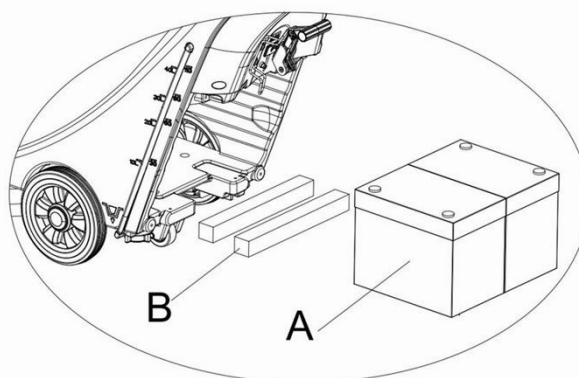


Рисунок 6

14. Установите батарею специально изготовленными инструментами по установке батареи (А, рисунок 7). После установки батареи, извлеките инструменты установки батареи, и установите фиксирующий кронштейн батареи (В, рисунок 7).

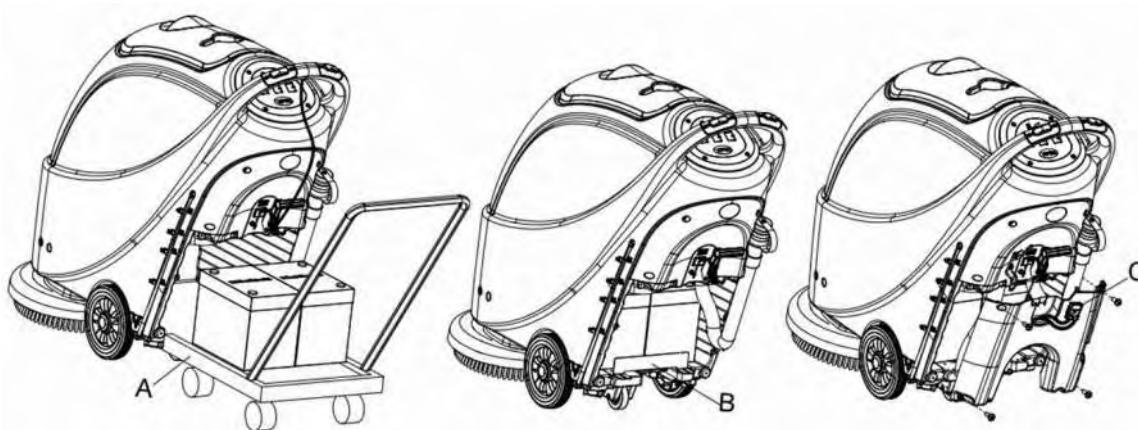


Рисунок 7

15. Установите разъем батареи (С, рисунок 7) через отверстие в верхней части крышки батарейного отсека, установите сливной шланг через правое отверстие крышки батарейного отсека, зафиксируйте крышку батарейного отсека с помощью 4 винтов, а затем установите вытягивающийся шнур валика, сливной шланг, и валик последовательно.

Зарядка батареи

16. Чтобы зарядить батарею (смотрите шаги, указанные в разделе технического обслуживания).

ПЕРЕД ЗАПУСКОМ МАШИНЫ

УСТАНОВКА И СНЯТИЕ ЩЕТКИ/ДЕРЖАТЕЛЯ НАСАДКИ



ПРИМЕЧАНИЕ

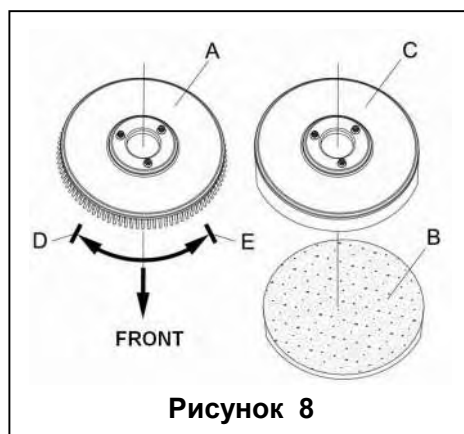
В соответствии с типом очищаемого пола, на машину может быть установлена щетка (Рисунок 8, А), или держатель насадки (Рисунок 8, В и С).



ОСТОРОЖНО !

При ручной установке или снятии щетки/держателя насадки, сначала проверьте, все ли переключатели находятся в выключенном состоянии, и поднимите валик с пола, только после можете продолжить действие с щеткой или держателем насадки. Кроме того, пожалуйста, наденьте защитные перчатки, чтобы не порезаться осколками.

1. (Только для **AS430B** и **AS510B**): убедитесь, что переключатель (41) в разъединенном (**ВЫКЛ**) состоянии.
2. Нажмите вниз руль (2) для подъема корпуса бака (26).
3. Поместите щетку (A) или держатель насадки (B - C) под корпус.
4. Используйте руль (2), чтобы опустить корпус бака (26) для вхождения в контакт с щеткой или держателем насадки.
5. Чтобы установить щетку/держатель насадки автоматически, включите переключатель питания (41) в положение "**ВКЛ**" и нажмите на предохранительный выключатель (1). Аккуратно двигайте машину вперед так, чтобы позволить ленточному колесу в нижней части корпуса бака выровняться с щеткой или держателем насадки, которые затем могут быть установлены. Затем отпустите предохранительный выключатель. При необходимости повторите эту процедуру, пока щетка/держатель насадки не будут установлены.
6. Если шаг 5 оказывается трудным, используйте ручной метод, следуя стрелке-указателю (D) для установки щетки/держателя насадки (как показано на **рисунке 8**).
7. Чтобы автоматически снять щетку/держатель насадки, поверните переключатель питания (41) в положение "**ВЫКЛ**". Держите руль рукой, и нажмите машину вниз, пока направляющее колесо не коснется пола и щетка/держатель насадки висит в воздухе. Установите переключатель питания (41) в положение "**ВКЛ**", и нажмите предохранительный выключатель, чтобы позволить щетке или держателю насадки повернуться, пока щетка/держатель насадки не опустится на пол.
8. Если Шаг 7 выше оказывается трудным, используйте ручной метод путем поворота щетки/держателя насадки в направлении противоположном нормальному направлению поворота, и она может быть снята. (как показано на **рисунке 8**)



НАСТРОЙКА БАЛАНСА ВАЛИКА

9. Установите валик и закрепите его туго с ручкой. Затем подсоедините вакуумную трубку для отходов к валику.
10. Отрегулируйте валик при помощи регулировочной рукоятки (A) валика (смотрите **рисунке 9**).
 - 1) Если в средней части задней полосы валика, раздел B, имеется щель с полом или давление вниз относительно слабое, отрегулируйте ручку в направлении против часовой стрелки, пока по всей длине задняя полоса валика не будет хорошо соприкасаться с полом. Передняя полоса валика должна слегка касаться пола.
 - 2) Если оба конца задней полосы валика, секции C и D, имеют разрыв с полом или давление вниз относительно слабое, отрегулируйте ручку в направлении по часовой стрелке, пока по всей длине полоса заднего валика не будет соприкасаться с полом. Передняя полоса валика должна слегка касаться пола.

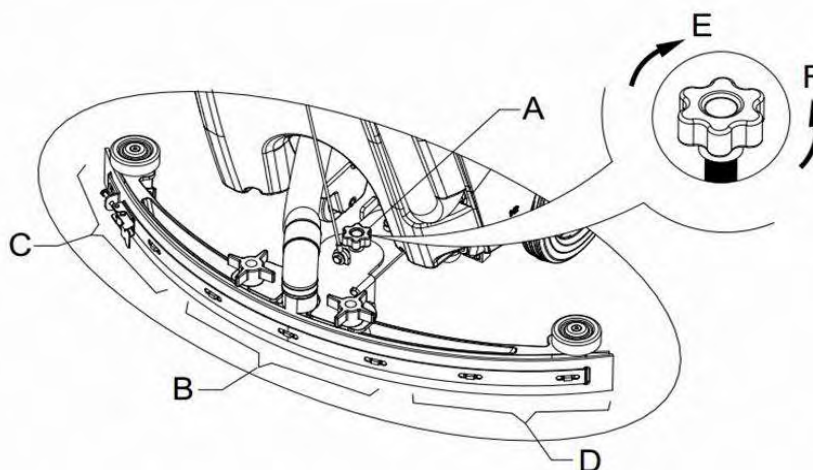


Рисунок 9

Наполнение бака раствора



ОСТОРОЖНО!

Только негорючие моющие средства с низким пенообразованием могут быть использованы. Эти моющие средства должны быть пригодны для использования жесткими щетками.

- Откройте заглушку для воды (27) и добавьте воды в бак раствора. Не перегружайте резервуар. Заполнение до края держателя фильтра подачи воды будет достаточно. При подготовке чистящих средств, следуйте нормам разбавления предлагаемыми производителями химии, и температура воды не должна превышать 40 С.

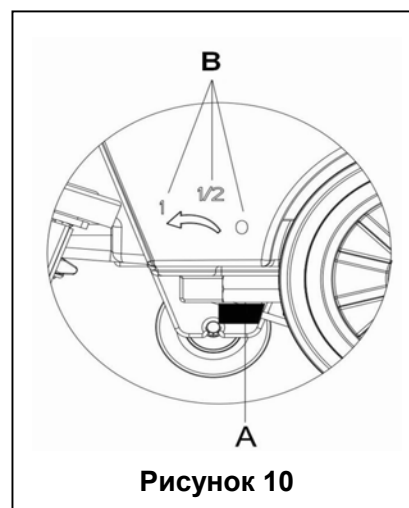
РЕГУЛИРОВАНИЕ ОБЪЕМА ПОДАЧИ ВОДЫ



ПРЕДУПРЕЖДЕНИЕ !

Регулирование ручки шарового клапана (А, рисунок 10) должно быть сделано при условии, когда переключатель питания находится (41) в положении «ВЫКЛ».

- Объем подачи воды может быть отрегулирован через ручку шарового клапана (А, рисунок 10) в зависимости от количества воды, фактически необходимого для очистки пола.



ЗАПУСК И ОСТАНОВКА УСТРОЙСТВА

Запуск устройства

- Выполните подготовительные действия, указанные выше
- Нажмите кнопку включения питания (41) и установите её в позицию “I”.
- Используйте ручку швабры (41), чтобы опустить швабру.
- Нажмите кнопку включения вакуумного насоса (42) и установите её в позицию “I”.
- Нажмите кнопку регулирования расхода воды (44) и установите её в позицию “I”. (Работает одновременно с предохранителем (1) для контроля магнитного клапана.)
- Держите предохранитель (1) и жмите для перемещения устройства. Щётка (29) начинает вращаться и устройство выполняет работу по очистке.



КОНСУЛЬТАЦИЯ: Способ передвижения устройства

Одной из особенностей устройства является установка двух предохранителей по обе стороны от руля. Каждый предохранитель контролируется вне зависимости от работы щетки. Их использование облегчает управление работой станка.

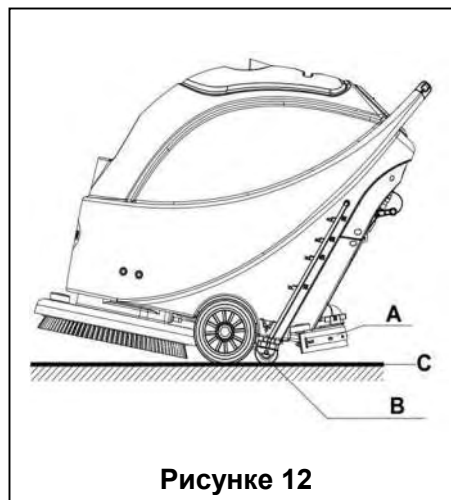
Опыт показывает, что метод передвижения устройства, показанный на рисунке 11 является самым подходящим, благодаря чему пользователи чувствуют себя комфортно и не ощущают усталости от работы. Таким образом, мы рекомендуем пользователям данный способ передвижения устройства.



Остановка устройства

- При завершении работы устройства сперва выгрузите кисти/PAD-держатель (см. шаги, которые указаны в разделе, посвященном установке и выгрузке кисти/PAD-держателя).
- Отпустите кнопку предохранителя (1) для отключения щетки/PAD-держателя и магнитного клапана.
- Нажмите кнопку отключения вакуумного насоса (42) в позицию “O”, после чего подождите 5 секунд до полной остановки вакуумного насоса и остановите устройство.

10. Нажмите кнопку регулирования расхода воды (44) в позицию “О” для выключения магнитного клапана.
11. Нажмите кнопку включения питания (41) в позицию “О”.
12. Используйте ручку швабры (14) для ее поднятия.
13. Возьмите руль (2) и слегка наклоните устройство назад, пока устройство направляющее колесо (В) не коснется пола. См. **рисунок 12**.



Рисунке 12

РАБОТА УСТРОЙСТВА (ЧИСТКА И СУШКА)

1. Запустите устройство согласно с приведенным выше описанием.
2. Держите предохранитель (1) (в соответствии со способом, указанным на **Рисунке 11**), жмите для перемещения устройства и начинайте работу по очистке.
3. При необходимости, выключите устройство, а также отрегулируйте настройки ручки швабры (см. шаги по регулировке баланса швабры).
4. При необходимости, выключите устройство и отрегулируйте подачу воды с помощью ручки шарового крана. (См. шаги по регулировке расхода воды).



ПРЕДУПРЕЖДЕНИЕ !

Для предотвращения повреждения полового покрытия необходимо отключить питание устройства, если устройство остается на одном месте(41).

Разрядка батареи во время эксплуатации

5. Только в случае, если предупредительный зеленый светодиод (38) горит непрерывно, зарядка батареи достаточна для выполнения работы.



Примечание

Когда все четыре зеленых светодиода (38) горят, батарея полностью заряжена. Когда горит последний зеленый светодиод (38) горит и начинает мигать, подзарядите батарею. Это показывает, что устройство будет отключено через несколько минут.

После того, как последний зеленый светодиод (38) отключается и загорается красный светодиод (39 и 40), устройство автоматически отключится через несколько секунд. (см. шаги, указанные в разделе Технического обслуживания).



ПРЕДУПРЕЖДЕНИЕ !

Не использовать устройство, в случае недостаточного питания батареи, во избежание повреждения и сокращения срока действия батареи.

ОПОРОЖНЕНИЕ РЕЗЕРВУАРА

После восстановления полноты резервуара поплавков (36) выключения устройства автоматически блокирует вход вакуумного насоса. Посредством внезапного увеличения шума от вакуумного насоса, можно считать, что вакуумный насос перегружен и необходимо слив сточных вод.



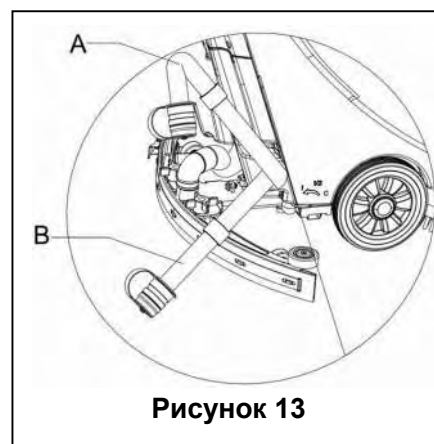
ПРЕДУПРЕЖДЕНИЕ !

Если вакуумный насос неожиданно отключается (например, если устройство перемещается в результате активации поплавка), а возобновление операции необходимо, пожалуйста, выполните следующие действия: нажмите кнопку включения питания (41 и 42), чтобы выключить питание и вакуумный насос и откройте крышку резервуара (25), для проверки нахождения поплавка в поплавковом фильтре, который должен вернуться к поверхности воды. После этого закройте крышку резервуара для грязной воды (25) и нажмите кнопку включения питания (41 и 42) для запуска питания и вакуумного насоса.

Когда бак для грязной воды заполнен сточными водами, выполните следующие действия.

Опорожнения бака для грязной воды

1. Отключите устройство.
2. При использовании ручки швабры (14), приподнимите швабру.
3. Переместите устройство на специальное дамп-место.
4. Возьмитесь за руль (2) и осторожно наклоните устройство назад, чтобы направляющее колесо коснулось пола. (Для стыковки устройства см. процедуры остановки секции)
5. Отключите сливной шланг от фиксатора, согните верхнюю часть сливного шланга (как показано в **А, рисунок 13**), а затем откройте крышку сливного шланга, опустите сливной шланг на низкий уровень или на землю, для того, чтобы слить воду. Кроме того, сразу установите сливной шланг в низкой позиции или на земле, чтобы сделать спускающийся выход воды (как показано в **В, рисунок 13**), а затем откройте крышку отверстия для слива воды, для отвода сточной воды в резервуаре. После завершения слива, используйте чистую воду, чтобы очистить резервуар для грязной воды.

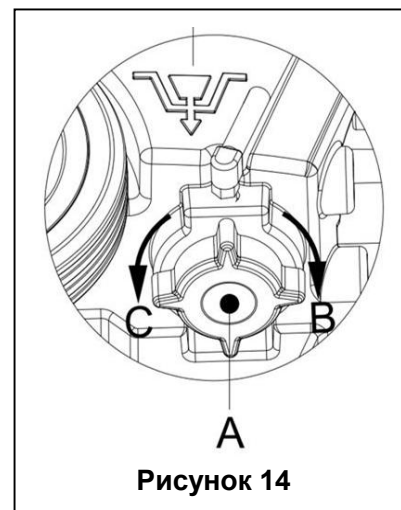


ПРЕДУПРЕЖДЕНИЕ !

При сливе сточных вод, вакуумная трубка для отходов должна быть сложена или быть опущена в нижнее положение (как показано на рисунке 13 А или В), а затем откройте крышку отверстия для слива отходов, чтобы слить воду. Не устанавливайте выходы вакуумной трубки в горизонтальное положение, чтобы сливать воду вертикально. Выполните это во избежание разлива сточных вод на управляющего операций.

Опустошения резервуара для раствора

6. Выполните шаги с 1 по 4.
7. Как показано на **рисунке 14**, поверните крышку для открытия резервуара для раствора (А) против часовой стрелки в направлении С и опустошите резервуар для раствора полностью. Используйте чистую воду, для очистки внутренней поверхности резервуара. Когда работа будет завершена, закройте резервуар плотно крышкой (А) повернув ее по часовой стрелке в направлении В.



ПРАВИЛА ИСПОЛЬЗОВАНИЯ УСТРОЙСТВА

Когда работа выполнена, и устройство можно убрать, выполните следующие действия:

1. Следуйте инструкциям, которые описаны в вышеупомянутом разделе об установке и деинсталляции щетки/PAD-держателя и деинсталлируйте щетки.
2. В соответствии с процедурами, описанными в соответствующих разделах, слейте воду резервуара для раствора и резервуара опорожнения полностью.
3. Выполняйте ежедневные процедуры технического обслуживания (см. раздел о техническом обслуживании).
4. Храните устройство, в том числе кисти/PAD-держатель и щетку, в чистом сухом месте. Щетка должна быть снята или отключена

ПЕРИОДЫ БЕЗДЕЙСТВИЯ

Если устройство не будет использоваться в течение 30 дней, пожалуйста, примените к нему следующие действия:

1. Выполните необходимые процедуры, которые следует соблюдать после использования устройства.
2. Отсоедините разъем (9) подключения аккумуляторной батареи и устройства.
3. Во избежание повреждения батареи, пожалуйста, заряжайте ее один раз в три месяца, если устройство не будет использоваться в течение 3 месяцев.

ПРИ ПЕРВОМ ЗАПУСКЕ

После использования в течение первых 9 часов, пожалуйста, проверьте все части устройства, чтобы убедиться, что ничто не ослаблено или повреждено во время работы, и для проверки наличия видимых повреждений или утечек.

ТЕХНИЧЕСКОЕ ОБСЛУЖИВАНИЕ И УХОД

Срок службы и максимальная безопасность устройства обеспечивается надлежащим и своевременным техническим обслуживанием и уходом.

В следующей таблице приведен общий план технического обслуживания устройства. Временные интервалы технического обслуживания определяются, в значительной степени, условиями работы устройства. Временные интервалы должны быть сформированы персоналом, ответственным за поддержание устройства.

**ВНИМАНИЕ!**

Данные процедуры можно выполнять только после того, как питание устройства и аккумуляторная батарея отключены, Прежде чем приступить к любой из процедур технического обслуживания, пожалуйста, внимательно изучите соответствующие разделы безопасности.

Все работы данного плана технического обслуживания или все дополнительное техническое обслуживание должно выполняться квалифицированным персоналом или при поддержке авторизованного сервисного центра.

Данное руководство демонстрирует только самые простые и наиболее распространенные процедуры технического обслуживания.

Для выполнения любой процедуры технического обслуживания, не указанной в этой таблице планового ремонта, обратитесь к руководству по техническому обслуживанию в сервисный центр.

ТАБЛИЦА-ПЛАН ПРОЦЕДУР ПРОФИЛАКТИЧЕСКОГО ОБСЛУЖИВАНИЯ

Процедура	Ежедневно, после использования устройства	Еженедельно	Каждые 6 месяцев	Ежегодно
Зарядить аккумуляторную батарею				
Очистить щетку				
Очистить кисти/PAD-держатель				
Резервуар чистой воды и фильтр-поплавок, осмотр уплотнителя резервуара для воды				
Проверьте и измените полосы щетки				
Очистите фильтр для раствора				
Очистите вакуумный насос				
Проверьте уровень жидкости WET-батареи				
Проверьте герметичность гаек и болтов			(1)	
Проверьте или измените углеродный мотор кисти/PAD-держателя				(2)
Проверьте или измените угольные щетки вакуумного насоса				(2)

(1) Выполните это после 9-ти часов работы машины.

(2) Данные процедуры технического обслуживания должны выполняться авторизованным VIPER сервисным центром.

ЗАРЯДКА БАТАРЕИ



ПРИМЕЧАНИЕ

Это время для зарядки аккумуляторной батареи, когда янтарная или красная лампа горит или каждый раз после выполнения работы.



ПРЕДУПРЕЖДЕНИЕ!

Держите батарею в состоянии полной зарядки для того, чтобы продлить срок службы батареи.



ПРЕДУПРЕЖДЕНИЕ!

Аккумулятор должен быть заряжен как можно скорее, как только заряд батареи становится недостаточным. Пожалуйста, проверяйте подключение зарядного устройства не менее одного раза в неделю.



ПРЕДУПРЕЖДЕНИЕ!

Если бортовое зарядное устройство отсутствует, пожалуйста, выберите подходящее внешнее зарядное устройство для зарядки аккумулятора.



ВНИМАНИЕ!

При зарядке аккумулятор следует проявить особую осторожность, в связи с тем, что во время процесса зарядки может произойти утечка кислоты из батареи. Аккумуляторная кислота вызывает разъедающее действие. При попадании на кожу и в глаза следует немедленно промыть большим количеством воды и обратиться к врачу.

1. Откройте крышку резервуара (25) и посмотрите пуст или нет резервуар для грязной воды. Если резервуар не пуст – опустошите его через сливной шланг (15).
2. Переместите устройство к месту зарядки.
3. Нажмите включатель питания (41) и поверните в позицию “O”, чтобы отключить устройство.
4. Только для WET водного пополнения батареи
 - Проверьте уровень электролита внутри аккумулятора. При необходимости, заполните его через крышку.
 - Храните с открытой крышкой.
 - При необходимости, очистите верхнюю поверхность батареи.
5. Выберите одну из следующих процедур для зарядки аккумулятора в зависимости от модели используемой батареи.

Для зарядки аккумулятора от внешнего зарядного устройства

6. Проверьте, согласно предшествующему уровню руководства, что внешнее зарядное устройство является подходящим. Выходное напряжение должно быть DC 24V.
7. Подключите разъем батареи к внешнему разъему и подключите внешний разъем к электросети.
8. После завершения зарядки, подключите разъем зарядки аккумулятора к устройству.

Для зарядки аккумулятора при помощи бортового зарядного устройства (опция)

9. Снимите резиновые крышки в конце разъема зарядки аккумулятора.
10. Подключите разъем зарядки аккумулятора с сетью к зарядному соединительному проводу . (Обратите внимание, является ли входное напряжение на бортовое зарядное устройство равным 220V – 240V а выходное напряжение 24V и удовлетворяет прочим требованиям.) Когда зарядное устройство подключено к сети, все остальные функции будут автоматически отключены. Если красная сигнальная лампа на бортовом зарядном устройстве продолжает гореть, значит батарея заряжается
11. Когда горит зеленая сигнальная лампа (47) – это значит, что процесс зарядки батареи завершился.
12. После завершения зарядки, снимите соединительный провод с конца зарядки аккумулятора и разъем сети, и закройте резиновой крышкой.
13. Отключите провод зарядного устройства от сети, и намотайте его на катушку (6).

**ПРИМЕЧАНИЕ**

Если вам необходима более подробная информация о бортовом зарядном устройстве (35), следует изучить соответствующее руководство.

ОЧИСТКА ЩЕТКИ**ПРИМЕЧАНИЕ**

Для поддержания оптимального эффекта водного вакуума, швабра должна содержаться в чистоте, и полосы швабры должны оставаться в хорошем состоянии.

**ПРЕДУПРЕЖДЕНИЕ!**

При очистке щетки, рекомендуется надеть защитные перчатки, так как швабра может содержать острые осколки.

1. Переместите устройство на ровную и гладкую поверхность..
2. Нажмите кнопку включения питания (41) и установите позицию “O”, для отключения устройства.
3. Отвинтите фиксированной ручкой (16) щетки; снимите разъем подключения трубки Восстановительного Вакуума и снимите щетку.
4. Используйте ручку для подъема швабры (14).
5. Очистите щетку (**Рисунок 15**). Очистите пазы (**A, Рисунок 15**) и остатки грязи с вакуумной трубки. Убедитесь, что переднее лезвие швабры (C) и заднее лезвие швабры (D) целы, и проверьте на наличие сколов и трещин. При необходимости измените их (см. шаги в следующем разделе).
6. Соберите швабру в обратном, указанному выше, порядке,.

ЗАМЕНА И ПРОВЕРКА ЛЕЗВИЯ ЩЕТКИ

1. После методов, показанных в предыдущем разделе, очистить щетку (**Рисунок 15**)
2. Проверьте края (**E, Рисунок 15**) лезвие передней щетки (F) и части лезвий задней щетки (D). Они должны быть на примерно одинаковом уровне по всей длине. В противном случае, отрегулируйте их длину посредством следующей процедуры:
 - Ослабьте зажим (G), чтобы задняя щетка (D) отделилась от кронштейна (M) для регулировки положения щетки. После регулировки вновь зафиксируйте зажим.
 - Ослабьте винт на ручке (I) для регулировки передних лезвий швабры (C); после регулировки затяните винт вновь.
3. Проверьте, если переднее лезвие щетки (C) и заднее лезвие щетки (D) на предмет наличия сколов и трещин. При необходимости, измените их в соответствии со следующими способами. Проверьте передний край задней щетки (J) на изношенность. Если он изношен, его можно установить задним краем, т.е наоборот (если он не поврежден). Если задний край также изношен, измените его, следуя приведенному ниже:
 - Ослабьте зажим (G), чтобы лезвие отделилось от кронштейна (M), снять зажим (K), а затем измените или переверните лезвие (D) наоборот. Установите на задней щетке в обратном порядке.
 - Ослабьте винт на ручке (I) и снимите передний зажим (L), а затем замените переднюю щетку (C).
Установите переднюю щетку на место, в обратном порядке действий..
После изменения лезвия щетки (или установки его наоборот) отрегулируйте уровень передних и задних лезвий швабры в соответствии с процедурами описанными выше.
4. Подключите Вакуумную трубку (11) к щетке.
5. Установите щетку и используйте ручку (16) для ее затяжки, а затем подключите Вакуумную рубку к щетке.
6. При необходимости, отрегулируйте щетки при помощи регулировочного маховика (20) (см. процедуры регулировки баланса щетки)

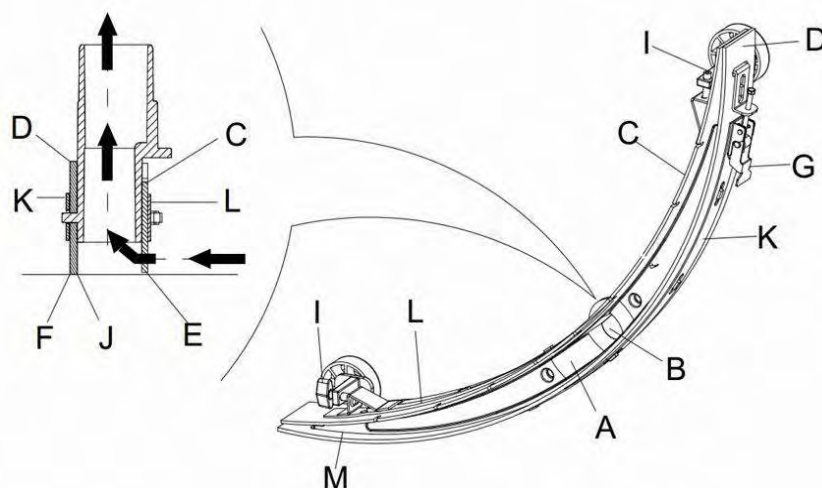


Рисунок 15

ОЧИСТКА КИСТИ/ПОЛИРОВАЛЬНОЙ ПОДУШКИ



ПРЕДУПРЕЖДЕНИЕ !

Процедуру очистки кисти/PAD-держателя необходимо выполнять в защитных перчатках, так как кисть может содержать острые осколки.

1. После методов, показанных в предыдущих разделах, снимите кисть/PAD-держатель..
2. Очистите кисть/PAD-держатель с помощью воды и моющих средств..
3. Проверьте щетинки кисти на полноту наличия и состояние изношенности. В случае необходимости, замените щетки.
4. Проверьте на состояние изношенности PAD-держателя и, при необходимости, замените PAD-держатель.

ОЧИСТКА РЕЗЕРВУАРА ДЛЯ ВОДЫ И ФИЛЬТРА-ПОПЛАВКА

1. Переместите устройство на выделенное для обработки место.
2. Нажмите кнопку включения питания (41) и установите ее в позицию "O" для отключение устройства.
3. Откройте резервуар для воды (A, Рисунок 16), и снимите поплавков устройства (36) из резервуара для грязной воды.
4. Используйте чистую воду для очистки крышки (A), резервуара (B и C), и опорной рамы фильтра-поплавка (E). Через отверстие трубы (15), слейте всю воду из резервуара.
5. При необходимости, возле символов "Open" и "Close" как показано на **рисунке 16**, отсоедините нижнюю крышку (F) от фильтра-поплавка и очистите поплавок (D), опорную раму (E), а также фильтр подушки (I). После очистки зафиксируйте фильтр-поплавков на опорной раме (E), а затем выровняйте паз (L) на нижней крышки (F) с пазом поплавкового фильтра (L) к опорной раме (E). Поверните нижнюю крышку (F) с точкой фильтра-поплавка и закрепите плотно фильтр к подушке (I) на опорную раму фильтра-поплавка (E), а затем на Вакуумную трубку (M).
6. Проверьте герметичность уплотнительного кольца (G) крышки резервуара с водой..



ПРИМЕЧАНИЕ

Уплотнительные полосы (G) резервуара для воды служат в качестве прокладок, для создания вакуума. Резервуар должен быть полностью герметичным, чтобы иметь возможность эффективно собирать сточные воды с пола.

Если необходимо, герметизирующие ленты из резервуара для воды (G) могут быть сняты из паза (H) и изменены. При сборке нового резервуара для воды уплотнительную полосу, как показано на **рисунке 16** ниже, установите разъем в среднюю секцию задней части.

7. Убедитесь, что поверхность уплотнительной полосы (G) не повреждена и функциональна..

8. Закройте крышку резервуара (А).

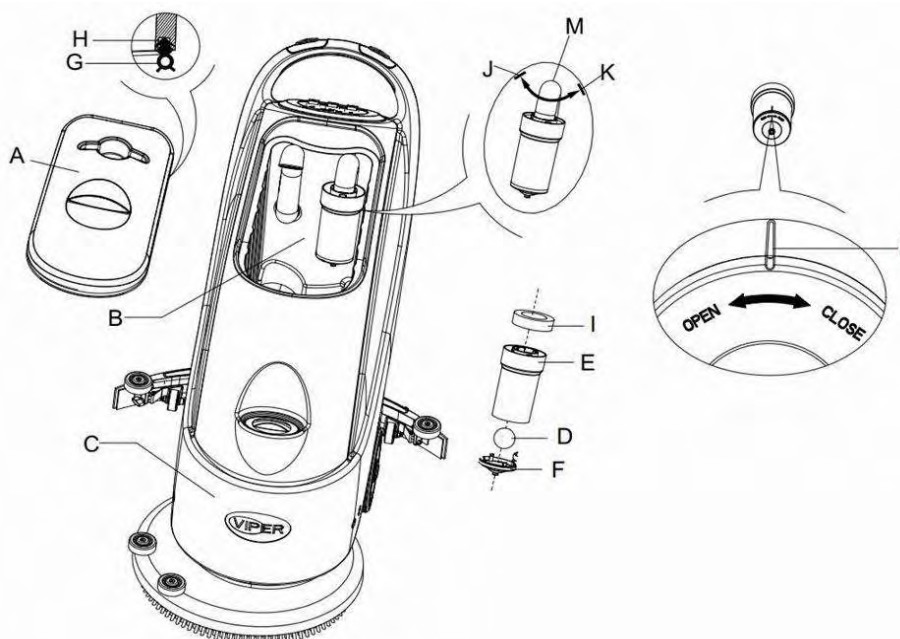


Рисунок 16

ОЧИСТКА ФИЛЬТРА ДЛЯ РАСТВОРА

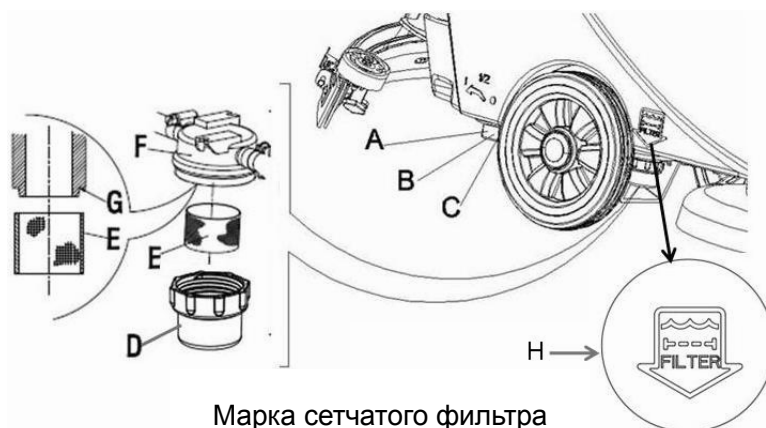
1. Слейте всю воду из резервуара для раствора, согласно описанию, указанному в соответствующих разделах.
2. Переместите устройство на ровную и гладкую поверхность.
3. Нажмите кнопку включения питания (41) и установите ее в позицию "O" для отключения устройства.
4. Отключите шаровой клапан слива (А, Рисунок 17) (расположенный в нижней части устройства, позади колеса). В позиции В шаровой клапан открыт, а в позиции С шаровой клапан закрыт.
5. Снимите прозрачную крышку (D), затем снимите фильтр (E), и установите его в поле фильтра (F) после очистки.



ПРИМЕЧАНИЕ

Фильтр (E) должен быть аккуратно установлен на проецируемую позицию (G).

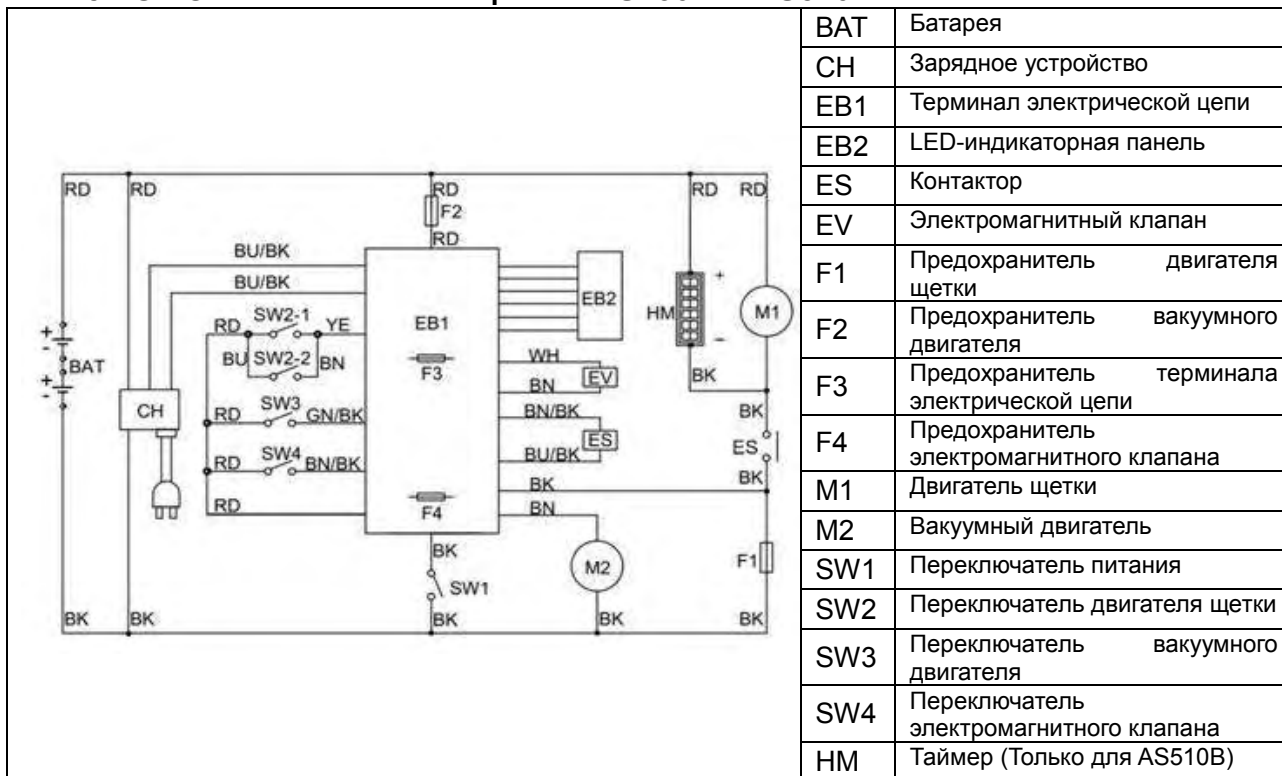
6. Откройте слив шарового клапана (А).



Марка сетчатого фильтра

Рисунок 17

РИСУНОК ЭЛЕКТРИЧЕСКИХ ЦЕПЕЙ AS430В И AS510В



Цветовые коды		
RD=Красный	BN=Коричневый	BU/BK = Голубой /Черный
BU=Голубой	YE=Желтый	GN/BK=Зеленый/Черый
BK=Черный	WH=Белый	BN/BK=Коричневый/Черный

УСТРАНЕНИЕ НЕИСПРАВНОСТЕЙ

Неисправность	Возможные причины	Средства исправления
Устройство не работает: Световой индикатор не вкл	Разъем батареи (9) не подключен	Подключите разъем батареи
	Заряд батареи исчерпан	Зарядите аккумулятор
Сигнальная лампа (39 и 40) мигает	Мотор щетки перегружен	Выберите мягкую щетку, для приспособления к очищаемому полу
	Заело кисть из-за попадания посторонних предметов	Очистите кисть
Кисть не работает	Предохранитель щетки выключен	Сброс
	Проскальзывает ремень	Проверьте натяжение ремня, отрегулируйте ролик натяжения
Вакуумный мотор не работает	Вакуумный предохранитель выключен	Сброс
Недостаток вакуума	Резервуар для сточных вод полон	Слейте воду из бака
	Вакуумная трубка и щетка неправильно подключены	Подключите вакуумную трубку для отходов и щетку
	Фильтр-поплавок заблокирован или впуск заблокирован	Очистите фильтр-поплавок, проверьте поплавок
	Щетка грязная или лезвие швабры обветшало или повреждено	Очистите и проверьте поплавок
	Крышка резервуара для грязной воды не правильно подключена или уплотнительная лента повреждена	Установите крышку должным образом или замените уплотнительную ленту
Недостаточная подача чистой воды к кисти	Фильтр загрязнен	Очистите фильтр
Щетка оставляет следы	Фрагменты мусора попали под лезвие щетки	Удалите фрагменты мусора
	Щетка изношена, треснула или вышла из строя	Замените лезвия швабры
	Не отрегулирован баланс швабры	Отрегулируйте баланс

**ПРИМЕЧАНИЕ**

Если аппарат установлен с дополнительным бортовым зарядным устройством, то в случае его неисправности аппарат не может работать.

Если бортовое зарядное устройство неисправно, пожалуйста, обратитесь в авторизованный центр технического обслуживания. Чтобы узнать более подробную информацию, пожалуйста, обратитесь к руководству по техническому обслуживанию (доступно в любом центре обслуживания VIPER)

УТИЛИЗАЦИЯ УСТРОЙСТВА

Используйте качественную дробилку, для уничтожения этого устройства.

Перед уничтожением этого устройства, уберите в сторону и отделите следующие материалы, которые согласно соответствующим законам и правилам, должны быть обработаны надлежащим образом.

- Аккумуляторная батарея
- Кисть/PAD-держатель
- Пластиковые шланги и пластиковые компоненты
- Электрические и электронные компоненты (*)

(*): Пожалуйста, обратитесь в ближайший сервисный центр VIPER (наиболее важно при утилизации электрических и электронных компонентов).

СЪДЪРЖАНИЕ

ВЪВЕДЕНИЕ	258
СЪДЪРЖАНИЕ НА РЪКОВОДСТВОТО	258
ЦЕЛ	258
РЕЗЕРВНИ ЧАСТИ И ПОДДРЪЖКА.....	258
ПРОМЕНИ И ПОДОБРЕНИЯ.....	258
ОБЛАСТ НА ПРИЛОЖЕНИЕ.....	258
РАЗОПАКОВАНЕ/ ТРАНСПОРТ	258
ОБЩИ НАСОКИ ЗА БЕЗОПАСНОСТ	259
ТЕХНИЧЕСКИ ДАННИ	260
ОПИСАНИЕ НА УРЕДА	260
УСТРОЙСТВО НА УРЕДА.....	260
ПАНЕЛ ЗА УПРАВЛЕНИЕ	261
ДИСПЛЕЙ НА СВЕТИЛНИННИЯ ИНДИКАТОР НА ЗАРЯДНОТО УСТРОЙСТВО	262
РЪКОВОДСТВО ЗА УПОТРЕБА	262
МОНТАЖ И НАСТРОЙКА НА АКУМУЛАТОРА НА НОВ УРЕД.....	262
МОНТАЖ НА АКУМУЛАТОР И НАСТРОЙКА НА ТИП АКУМУЛАТОР (ОЛОВЕН ИЛИ ГЕЛ/AGM)	263
ПРЕДИ СТАРТИРАНЕ НА МАШИНАТА	264
МОНТАЖ И ДЕМОНТАЖ НА ЧЕТКАТА / НАКТАЙНИКА С ПОДЛОЖКАТА	264
БАЛАНСИРАНЕ НА ГУМЕННИЯ НАКРАЙНИК.....	265
РЕЛУЛИРАНЕ НА ПРИТОКА НА ВОДА	266
СТАРТИРАНЕ И СПИРАНЕ НА ПОДОЧИСТАЧКАТА.....	266
ЕКСПЛОАТАЦИЯ НА ПОДОЧИСТАЧКАТА (ПОЧИСТВАНЕ И ПОДСУШАВАНЕ).....	267
ИЗТОЧВАНЕ НА РЕЗЕРВОАРИТЕ.....	267
СЛЕД УПОТРЕБА НА УРЕДА	268
ПРОДЪЛЖИТЕЛЕН ПЕРИОД НА БЕЗДЕЙСТВИЕ	268
ПЪРВИ ПЕРИОД НА УПОТРЕБА.....	268
ПОДДРЪЖКА И ОБСЛУЖВАНЕ	268
ТАБЛИЦАТА С ГРАФИКА ЗА ПОДДРЪЖКА	269
ЗАРЕЖДАНЕ НА АКУМУЛАТОРА	269
ПОЧИСТВАНЕ НА ГУМЕННИЯ НАКРАЙНИК	270
ПРОВЕРКА И СМЯНА НА ЧИСТАЧКИТЕ НА ГУМЕННИЯ НАКРАЙНИК.....	272
ПОЧИСТВАНЕ НА ПОДЛОЖКАТА	272
ПОЧИСТВАНЕ НА РЕЗЕРВОАРА И ЦЕДКАТА НА ФИЛТЪРА НА ПОПЛАВЪКА	273
ПОЧИСТВАНЕ НА ФИЛТЪРА ЗА РАЗТВОРА.....	273
СХЕМА НА ВЕРИГАТА НА AS430B и AS510B.....	274
РАЗРЕШАВАНЕ НА ПРОБЛЕМИ	274
БРАКУВАНЕ НА УРЕДА	275

ВЪВЕДЕНИЕ



ЗАБЕЛЕЖКА

Цифрите в скоби се отнасят към съответните компоненти, описани в глава "Описание на уреда".

СЪДЪРЖАНИЕ НА РЪКОВОДСТВОТО

Настоящото ръководство има за цел да предостави на оператора цялата необходима информация за правилната и безопасна експлоатация на уреда. В това число технически данни, информация за безопасността, експлоатацията, съхранението, поддръжката и бракуването на уреда. Операторът и техниците с необходимата квалификация трябва да прочетат внимателно това ръководство, преди да пристъпят към дейностите по експлоатация и поддръжка на уреда. При необходимост от разяснения или по-подробна информация, моля свържете се с Вайпър.

ЦЕЛ

Целта на ръководството е да улесни оператора и квалифицирания технически персонал при извършване на поддръжката на уреда.

Операторът не бива да извършва дейности, които са в компетенциите на техническия персонал. Вайпър не носи отговорност за щети, нанесени поради неспазване на това правило.

РЕЗЕРВНИ ЧАСТИ И ПОДДРЪЖКА

Всички процедури, необходими за работата, поддръжката и ремонта, трябва да се извършват от квалифициран персонал или в Сервизните центрове на Вайпър.

Да се използват само оригинални резервни части и аксесоари.

В случай на необходимост от сервизиране или поръчка на резервни части или аксесоари, моля свържете се с Вайпър, като предоставите модела и серийните номера на уреда.

ПРОМЕНИ И ПОДОБРЕНИЯ

Вайпър непрекъснато подобрява своите продукти. Вайпър си запазва правото да променя и подобрява уредите, както и да преценява дали подобренията и промените са проложими за вече продадените уреди. Всички промени или ползването на допълнителни аксесоари трябва да бъде съгласувано с Вайпър и извършено от фирмата.

ОБЛАСТ НА ПРИЛОЖЕНИЕ

Подочистачката е предназначена за ползване в битова или промишлена среда и е подходяща за почистване на гладки и твърди подови настилки (почистване и изсмукване на мръсната вода). Уредът трябва да се използва от квалифицирани оператори в безопасна среда. Подочистачката не бива да се ползва на открито, върху килими или относително груби настилки.

РАЗОПАКОВАНЕ/ ТРАНСПОРТ

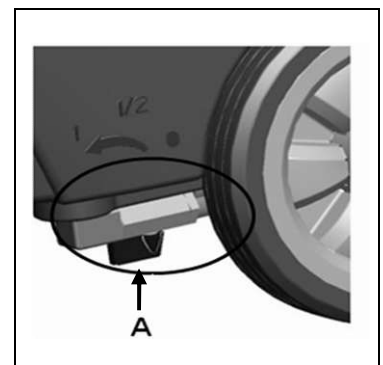
Моля спазвайте точно указанията за опаковане и разопаковане.

След като стоката е доставена, огледайте опаковката и уреда и се уверете, че няма транспортни дефекти. Ако има видими наранявания, запазете оригиналната опаковка и помолете доставчика да попълни списък с щетите, който да бъде представен за компенсация.



— ВНИМАНИЕ

При разопаковане и разтоварване или при преместване на уреда по стъпала, избягвайте удари по ключа за пускане/спиране, който регулира потока на водата, Част А на фигурата вдясно.



Проверете дали следните компоненти са налични:

1. Техническа документация
 - Ръководство на потребителя за подочистачката
 - Ръководство за вграденото зарядно устройство (ако е включено)
2. конектор за зарядното устройство (при липсата на вграден зарядно устройство за външно зарядно).

ОБЩИ НАСОКИ ЗА БЕЗОПАСНОСТ

Следните предупреждения и забележки имат за цел да предотвратят възможни щети (за персонала и за уреда).



ВНИМАНИЕ!

- Уредът може да се използва само под насоките на това ръководство. Да се използват само аксесоари, одобрени от Вайпър.
- Уредът трябва да се експлоатира само от надлежно обучен или упълномощен персонал. Да не се използва от деца или неподготвени хора.
- При нормална работа в възможно батериите да отделят запалим газ. Акумулаторът трябва да се държи далеч от излъчващи, осветителни и горещи тела, както и от искри. Уверете се, че по време на работа уредът се намира в проветриво помещение и е далеч от открити пламъци. Не пушете в близост до уреда, докато акумулаторът се зарежда.
- Извадете акумулатора преди да извършвате каквито и да било ремонтни дейности или поддръжка.
- Преди да ползвате вграденото зарядно устройство, уверете се, че обозначените на лепенката със серийния номер стойности за напрежение и честота отговарят на тези на мрежата.
- Не носете бижута, когато работите с електрическите компоненти. Вземете всички необходими мерки, така че да избегнете косата, бижутата или дрехите ви да бъдат захванати от движещите части на уреда.
- Не използвайте уреда в особено замърсени помещения. Не мийте уреда директно с вода. Предотвратявайте контакта с корозивни течности.
- Работната температура и температурата на сухранение трябва да бъде в интервала 0 - 40°C.
- Влажността на въздуха трябва да варира между 30% - 105%.
- Не използвайте уреда при повърхности с наклон по-голям от 2%.
- В случай на пожар, моля използвайте сухи пожарогасители. Не използвайте течни пожарогасители.
- Обърнете специално внимание при транспортиране на уреда в случаите, когато температурата е под нулата. Водата в резервоарите и маркучите може да замръзне и да причини сериозни повреди.
- Четките и подложките, предоставени с уреда са описани в Ръководството на потребителя. Използването на друг вид четки или подложки може да навреди на безопасността.
- При поява на дефект, моля уверете се, че причината не е в липсата на поддръжка. Ако е причинен от други фактори, моля потърсете съдействие от упълномощен персона или Сервизен център.
- Ако е необходима подмяна на части, поръчвайте оригинални резервни части от упълномощени дистрибутори или представители.
- За да гарантирате безопасната и правилна работа на уреда, осигурете извършването на планово техническо обслужване от упълномощен персонал или Сервизен център в съответствие с програмите за поддръжка в съответните раздели на ръководството.
- Уредът трябва да бъде бракуван правилно поради наличието на отровни и опасни вещества (акумулатори и т.н), като те трябва да бъдат изхвърлени в специални депа според съответните закони и актове (виж раздел Бракуване на уреда).

ТЕХНИЧЕСКИ ДАННИ

Модел	AS430B	AS510B
Височина на уреда	980mm	
Вместимост на контейнера за разтвор	40 l	
Вместимост на резервоара за мръсна вода	40 l	
Диаметър на задвижващите колела	200mm	
Диаметър на водещите колела	76mm	
Мощност на мотора на прахосмукачката	350w	
Максимален наклон	2%(Max)	
Ниво на шум	70dB(A) ±3dB(A)	
Стандартен акумулатор	(2×12V) 24V 85Ah AGM	(2×12V) 24V 105Ah AGM
Размер на отделението за акумулатора (W x L x H)	340 x 330 x 260mm(Max)	
Смукателна сила	1200 mm H ₂ O	
Максимален обхват на почистване	430mm	510mm
Широчина на гумения накрайник	730mm	790mm
Максимална дължина	1060mm	1100mm
Широчина без гумения накрайник	480mm	540mm
Диаметър на четката	430mm	510mm
Тегло с акумулатора и празни резервоари	112kg	128kg
Бруто тегло на готовия за експлоатация уред	152kg	168kg
Мощност на мотора на четката	550W	560W
Скорост на четката	150rpm	
Максимално налягане на четката/накрайника с подложката	30kg (Max)	35kg(Max)
Размери с опаковката (Lx W x H)	1200 x 610 x 1170mm	

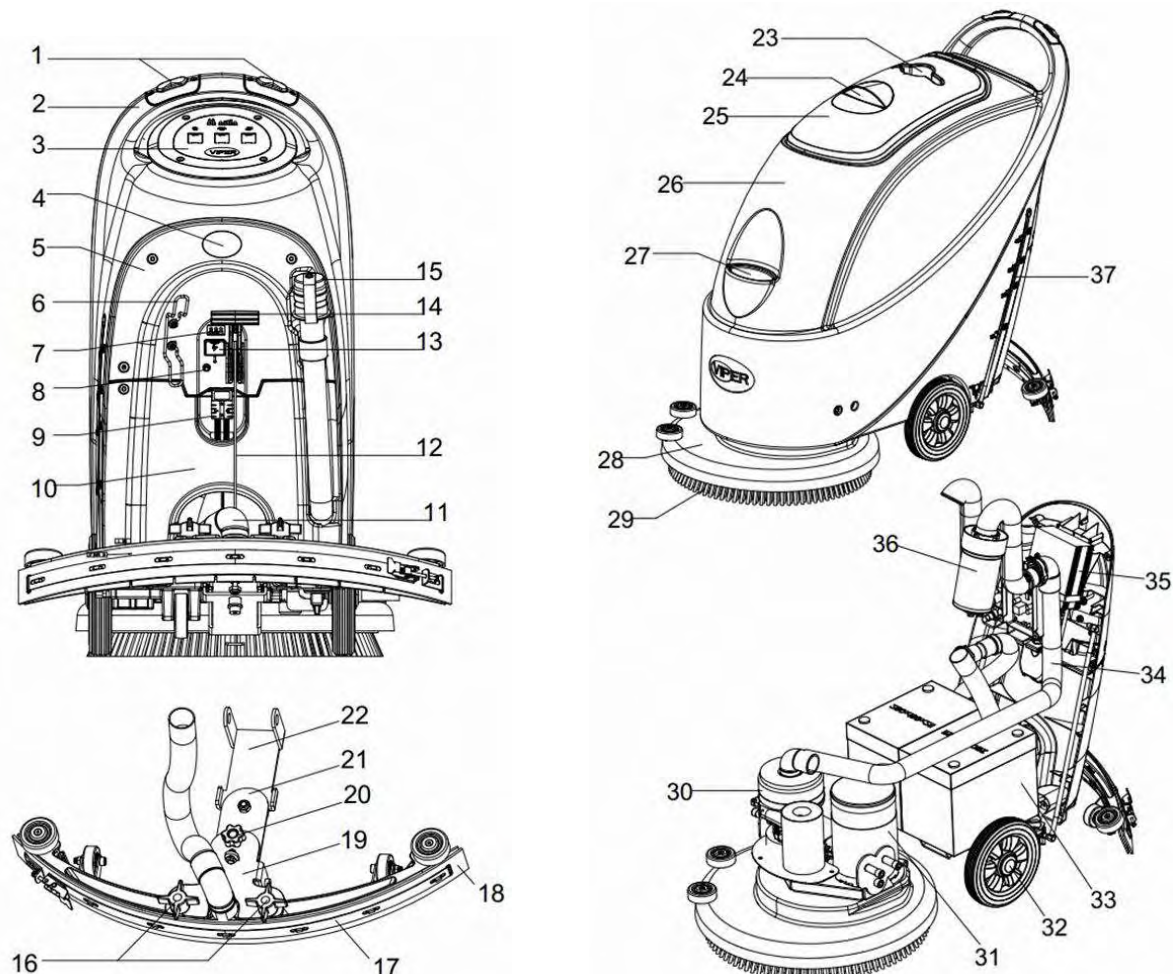
ОПИСАНИЕ НА УРЕДА

УСТРОЙСТВО НА УРЕДА

1. Бутон на предпазителя
2. Кормилен лост
3. Панел за управление
4. Табелка със серийния номер/технически данни / Удостоверение за съответствие
5. Капак за наблюдение
6. Държач за кабела (*)
7. Светлинен индикатор за заряда на батерията
8. Ключ за възстановяване на настройките
9. Конектор за акумулатора
10. Капак на акумулатора
11. Смукателна тръба за отпадъци
12. Кабел за теглене на гумения накрайник
13. Предпазен капак на конектора на батерията
14. Лост за повдигане на гумения накрайник
15. Маркуч за източване
16. Бутон за гумения накрайник
17. Щипка за гумения накрайник
18. Чистачки на гумения накрайник
19. Носеща рамка на гумения накрайник
20. Волан за управление на гумения накрайник
21. Задна носеща рамка на гумения накрайник
22. Предна носеща рамка на гумения накрайник
23. Поставка за чаши
24. Дръжка на капака на резервоара за мръсна вода
25. Капак на резервоара за мръсна вода
26. Корпус на резервоара
27. Капак за притока на вода
28. Накрайник с четка
29. Четка/ накрайник с подложка
30. Мотор на прахосмукачката
31. Мотор на четката
32. колело 8"
33. Акумулатор
34. Смукателна тръба
35. Зарядно устройство (*)
36. Филтър на подплавъка
37. Тръба за нивото на водата (показва количеството вода в Контейнера за разтвора)

(*) приложимо само за уреди с вградено зарядно устройство (по избор)

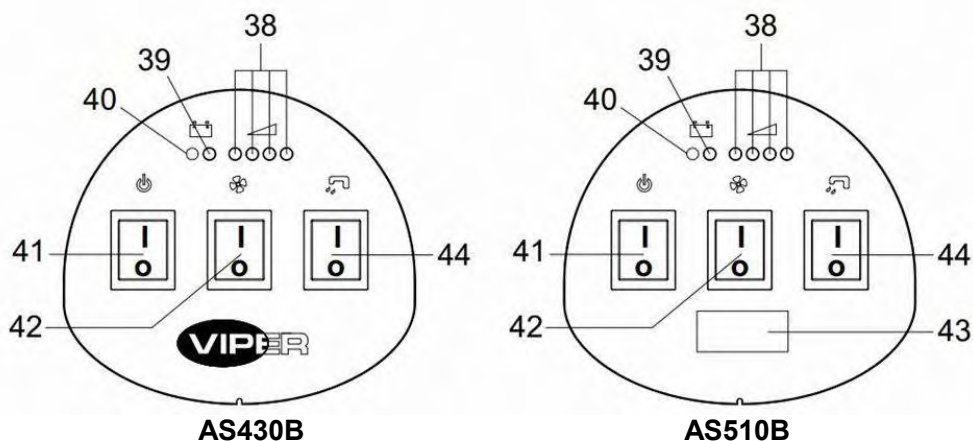
СХЕМИ НА УСТРОЙСТВОТО НА УРЕДА



Фигура 1

ПАНЕЛ ЗА УПРАВЛЕНИЕ (Фигура2)

- 38. Светлинен индикатор за заряд на батерията (зелен в заредено състояние)
- 39. Светлинен индикатор за изтощена батерия (червен)
- 40. Светлинен индикатор за изтощена батерия (червен)
- 41. Бутон за включване
- 42. Бутон за прахосмукачката
- 43. Таймер (по избор, използва се за да засече време на работа на четката)
- 44. Бутон на електромагнитната клапа за управление на впръскването на вода

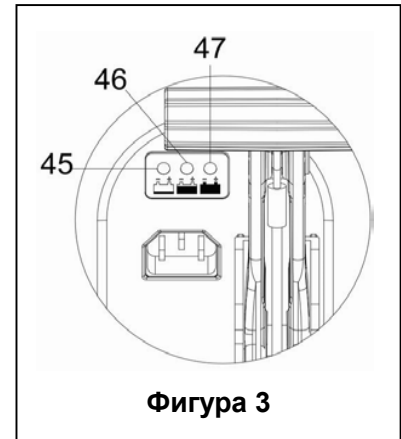


Фигура 2

ДИСПЛЕЙ НА СВЕТИЛНИЯ ИНДИКАТОР НА ЗАРЯДНОТО УСТРОЙСТВО (Фигура 3)

(По избор, наличен при моделите с вградено зарядно устройство)

1. Когато зареждането започне, червеният светлинен индикатор на зарядното (45) премигва няколко пъти, след което започва да свети постоянно - това е първата фаза на зареждането.
2. След известно време червеният светлинен индикатор (45) изгасва. Светва жълт светлинен индикатор (46), който обозначава началото на втората фаза.
3. След около 10 часа, жълтият индикатор (46) изгасва и светва зелен индикатор (47) - това означава, че батерията е пълна и зареждането е приключило.



ЗАБЕЛЕЖКА

- 1) Ако по време на зареждане жълтият индикатор премигне: батерията не е съвместима със зарядното или не е свързана правилно, възможно е и да се е получило късо съединение на изходния терминал.
- 2) Ако червеният индикатор премигва: има късо съединение в зарядното. (За повече информация, проверете съответните раздели в инструкциите за зарядното устройство).

РЪКОВОДСТВО ЗА УПОТРЕБА



ПРЕДУПРЕЖДЕНИЕ

Върху някои части на уреда са поставени указателни табели:

- ОПАСНОСТ
- ПРЕДУПРЕЖДЕНИЕ
- ВНИМАНИЕ
- СЪВЕТ

Операторът трябва да обърне специално внимание на символите на тези табели, докато чете ръководството.

В никакъв случай не закривайте табелите. Ако те са повредени, подменете ги незабавно.

МОНТАЖ И НАСТРОЙКА НА АКУМУЛАТОРА НА НОВ УРЕД



ПРЕДУПРЕЖДЕНИЕ

Ако акумулаторът е монтиран или свързан неправилно, електрическите компоненти на уреда могат да претърпят сериозна повреда. Акумулаторът да се инсталира само от квалифициран персонал. Настройте електронното табло на функциите, в зависимост от вида на монтираните акумулатори (ОЛОВНИ или ГЕЛ).

Огледайте акумулатора за повреди, преди да го монтирате.

Изключете конектора на батерията от вграденото зарядно устройство.

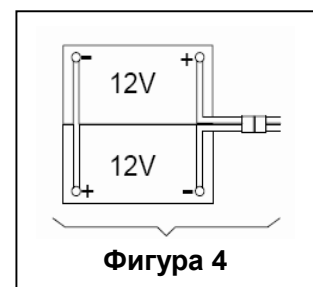
Внимавайте да не докоснете акумулатора.

Уредът се захранва от 2 акумулатора на 12V. Свържете ги, както е показано на **Фигура 4** отдясно.

Уредът се предоставя с някои от следните модели:

а) Акумулатори (ОЛОВНИ или ГЕЛ/АГМ) са монтирани и готови за работа.

1. Проверете акумулатора. Включете акумулатора към уреда посредством конектора (9).
2. (Важи само за моделите AS430B и AS510B): Натиснете бутона за включване (41) надолу. Ако зеленият индикатор светне, това означава, че батерията е годна



за работа.

Ако светне жълтият индикатор, батерията трябва да бъде заредена. (Моля проверете раздела за Поддръжка и съответните процедури).

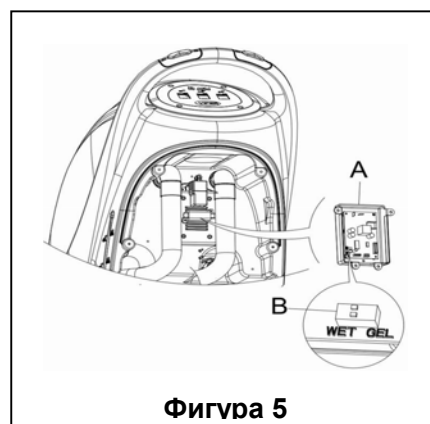
b) Без акумулаторите

1. Купете съвместим акумулатор (проверете раздела с Технически параметри). За избора на акумулатори и монтажа им се обърнете към квалифицирани продавачи на акумулатори.
2. Настройте акумулатора и вграденото зарядно (ако е налично) според вида акумулатори (ОЛОВНИ или ГЕЛ/АГМ) . Също така прочетете следния параграф за начина на поставяне на акумулаторите.

МОНТАЖ НА АКУМУЛАТОР И НАСТРОЙКА НА ТИП АКУМУЛАТОР (ОЛОВЕН ИЛИ ГЕЛ/АГМ)

Настройте електронното табло на вграденото зарядно според вида на акумулатора (ОЛОВНИ или ГЕЛ/АГМ) . Стъпките са следните:

1. Уверете се, че конекторът на акумулатора е изключен. Ако уредът е излязъл от завода с акумулатор тип "AGM", идете направо на Стъпка 8, в противен случай изпълнете Стъпки 2,3 и 4.
2. Свалете маркуча за източване (15)
3. При наличието на вградено зарядно, свалете кабела от намотката.
4. Свалете капака за наблюдение (5) и винтовете на капака на акумулатора (10). Развийте винтовете на планката на панела за управление. DIP-превключвателя (B) за вида на акумулатора може да се види, като обърнете планката на панела за управление. (Виж **фигура 5**)
5. Преместете микро DIP-превключвателя (B) на позиция "ОЛОВЕН".
6. Изпълнете Стъпки 3,4 и 5 в обратен ред.



Фигура 5

Поставяне на акумулаторите

7. Изключете конектора на батерията (9) .
8. Отворете капака на резервоара за мръсна вода (25) и проверете дали резервоарът е празен. В противен случай го източете с помощта на маркуча за източване (15).
9. Отвийте бутона на гумения накрайник (16), свалете конектора, свързващ смукателната тръба за отпадъци (11) и гумения накрайник, след което свалете гумения накрайник.
10. Развийте винтовете на капака на акумулатора (10) и свалете капака.
11. Отвийте конектора на кабела за теглене на гумения накрайник (12), свързващ скобата на гумения накрайник (19) и закачете кабела нагоре.
12. Закачете маркуча за източване (15) и смукателната тръба за отпадъци (11) нагоре.
13. Според размера на акумулатора, натиснете фиксиращата планка на кутията на акумулатора възможно най-навътре.

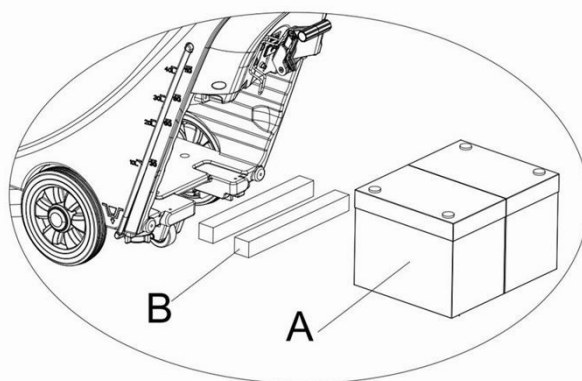
ЗАБЕЛЕЖКА



Размерите на акумулатора не трябва да надхвърлят. Н x W x H: 330mm x 170mm x 260mm.

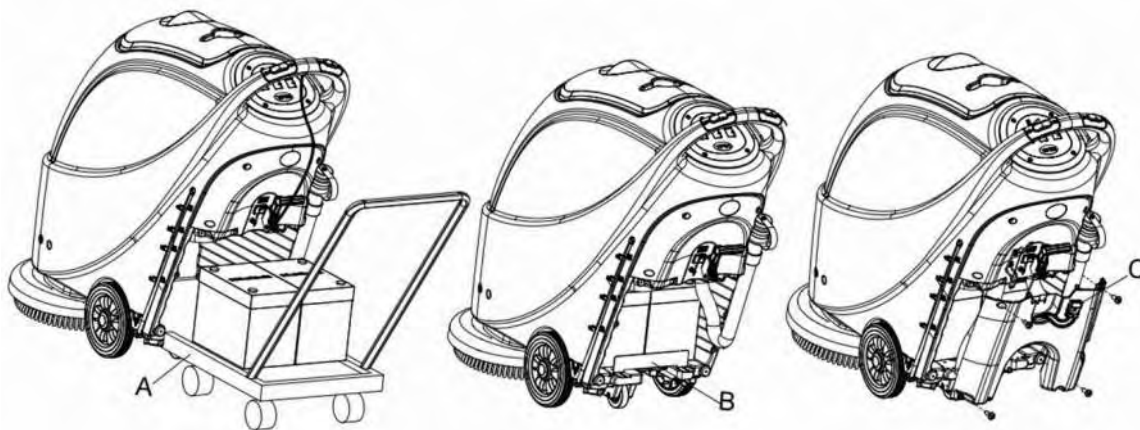
Според различните размери на акумулаторите, изискванията за избор на фиксирани акумулатори са следните:

- 1) За акумулатори с дължина под 270mm, използвайте 2 части от фиксиращата планка (**B, Фигура 6**) и ги поставете една до друга в отделението за акумулатора.
- 2) За акумулатори с дължина между 310mm и 270mm, използвайте 1 част от фиксиращата планка (**B, Фигура 6**) и я поставете в отделението за акумулатора.
- 3) За акумулатор с дължина между 330mm -310mm, фиксираща планка не е нужна.



Фигура 6

14. Монтирайте акумулаторите с предназначенията за целта инструменти (А, Фигура 7). След като батерията е монтирана, отстранете специалните инструменти и поставете фиксиращата скоба (В, Фигура 7).



Фигура 7

15. Включете конектора на акумулатора (С, Фигура 7) през отвора на капака на отделението за акумулаторите, пъхнете маркуча за източване през десния отвор на капака на отделението за акумулаторите, фиксирайте капака с 4 винта, след което монтирайте кабела за теглене на гумения накрайник, маркуча за източване и самия гумен накрайник, в този ред.

Зареждане на акумулатора

16. Заредете акумулаторите (виж. процедурата в глава “Поддръжка”).

ПРЕДИ СТАРТИРАНЕ НА МАШИНАТА

МОНТАЖ И ДЕМОНТАЖ НА ЧЕТКАТА / НАКРАЙНИКА С ПОДЛОЖКАТА



ЗАБЕЛЕЖКА

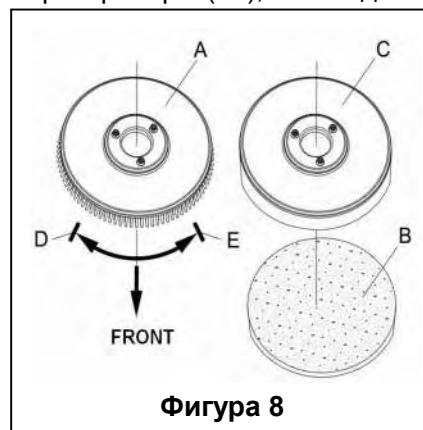
Според вида на настилката машината може да бъде оборудвана с четка (Фигура 8, А) накрайник с подложка (Фигура 8, В и С).



ВНИМАНИЕ!

При монтиране или демонтиране на четката/ накрайника на подложката най-напред проверете дали всички ключове са в изключени положение и вдигнете гумения накрайник от пода. Едва след това можете да работите с четката или накрайника с подложката. Освен това носете защитни ръкавици, за да предотвратите порязвания.

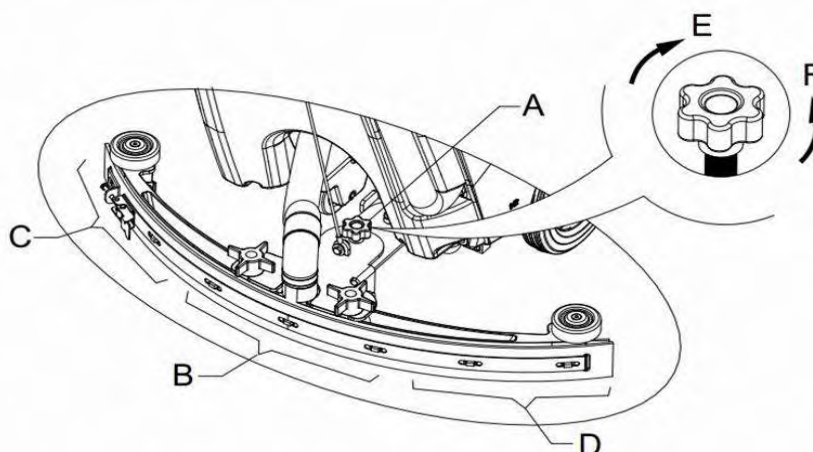
1. (Важи само за модели **AS430B** и **AS510B**): уверете се, че ключът (41) е в положение (O) .
2. Натиснете кормилния лост (2) надолу, за да повдигнете корпуса на резервоара (26).
3. Поставете четката (A) или накрайника с подложката (B – C) под кожата.
4. Използвайте кормилния лост (2), за да свалите корпуса на резервоара (26), които да се доближи до четката/ накрайника на подложката.
5. За да монтирате четката/ накрайника на подложката автоматично, завъртете бутона за включване (41) в положение "I" и натиснете предпазителя (1) надолу. Внимателно бутнете уреда напред, така че ролката от долната страна на корпуса на резервоара да се изравни с четката/ накрайника на подложката, които да монтирате. Отпуснете предпазителя. Ако е необходимо, повторете процедурата.
6. Ако Стъпка 5 ви затруднява, използвайте ръчния метод, като следите стрелките (D), за да монтирате четката/ накрайника на подложката (както е показано на **Фигура 8**).
7. За да демонтирате четката/ накрайника на подложката автоматично, завъртете бутона за включване (41) в положение "O". Задръжте кормилния лост и настиснете уреда надолу, докато водещото колело докосне пода, а четката/ накрайника на подложката увисне във въздуха. Завъртете бутона за включване (41) в положение "I" и натиснете предпазителя надолу, като позволите четката или накрайника на подложката, докато слезе до долу.
8. Ако Стъпка 7 ви затруднява, използвайте ръчния метод, като завъртите четката/ накрайника на подложката в посока обратна на нормалната посока на въртене. След това можете да я демонтирате. (както е показано на **Фигура 8**).



Фигура 8

БАЛАНСИРАНЕ НА ГУМЕНИЯ НАКРАЙНИК

9. Монтирайте гумения накрайник и го стегнете добре на дръжката. Включете смукателната тръба за отпадъците към гумения накрайник.
10. Настройте гумения накрайник посредством лоста за регулиране (A) (виж **Фигура 9**).
 - 1) Ако средната част на задната гумена лента, част B, е на разстояние от пода или притискателната сила е относително слаба, завъртете лоста в посока обратна на часовниковата стрелка докато лентата докосне пода по цялата си дължина. Предната гумена лента трябва едва да докосва пода.
 - 2) Ако двата края на гумената лента, части C и D, е на разстояние от пода или притискателната сила е относително слаба, завъртете лоста в посока на часовниковата стрелка докато лентата прилепне към пода по цялата си дължина. Предната гумена лента трябва едва да докосва пода.



Фигура 9

Пълнене на контейнера с разтвора



ВНИМАНИЕ!

Използвайте само незапалими препарати, които не образуват обилна пяна. Препаратите трябва да са подходящи за използване за подочистачки.

11. Отворете капака на отвора за водата (27) и налейте вода в контейнера за разтвора. Не препълвайте контейнера. Достатъчно е да напълните до ръба на филтъра или до отвора за водата. Съобразявайте химическите свойства на препаратите при приготвяне на разтвора. Имайте предвид, че температурата на водата не бива да надвишава 40⁰ С.

РЕГУЛИРАНЕ НА ПРИТОКА НА ВОДА



ПРЕДУПРЕЖДЕНИЕ!

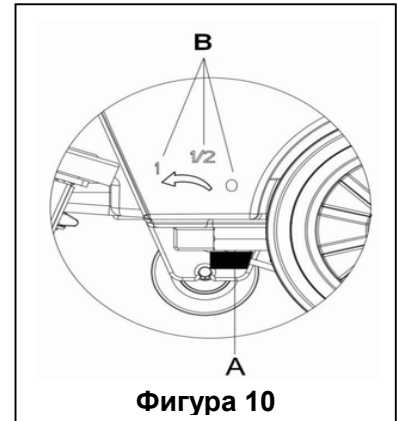
Регулиране на лоста на сферичния кран (А, Фигура 10) трябва да се извърши при условие, че бутона за включване (41) е в положение "О".

12. Потокът на водата може да се регулира посредством сферичен кран (А, Фигура 10) според количеството вода, необходимо за почистване на подовата настилка.

СТАРТИРАНЕ И СПИРАНЕ НА ПОДОЧИСТАЧКАТА

Стартиране

1. Изпълнете стъпките, както е указано по-горе.
2. Натиснете бутона за включване (41) в положение "I".
3. Използвайте лоста, за да свалите надолу гумения накрайник (41).
4. Натиснете ключа за смукателната помпа (42) в положение "I".
5. Натиснете ключа за регулиране на водния поток (44) в положение "I". (Използвайте едновременно и с предпазителя (1), за да регулирате магнитния клапан.)
6. Задръжте предпазителя (1) и бутнете уреда напред. Четката (29) започва да се върти и уредът започва да почиства.



Фигура 10



КОНСУЛТАЦИЯ: Начин за придвижване на подочистачката

Едно от предимствата на уреда е наличието на два предпазителя от двете страни на кормилния лост. Всеки от тях независимо контролира движението на четката. По време на работа това улеснява експлоатацията на уреда.

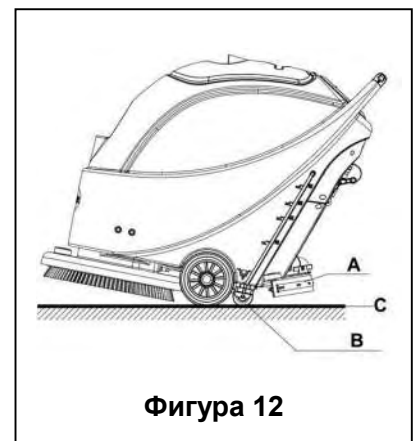
Опитът показва, че методът за придвижване на уреда, показан на Фигура 11, е по-удобен. Разположението на ръцете е по-естествено, което намалява умората. Препоръчително е операторите да придвижват уреда по този начин.



Фигура 11

Изключване

7. След като почистването е приключило, най-напред демонтирайте четката/ накрайника на подложката (проверете стъпките в раздел "Монтаж и демонтаж на четката/накрайника на подложката")
8. Отпуснете предпазителя (1), за да изключите четката/ накрайника на подложката и магнитния клапан.
9. Натиснете ключа на смукателната помпа (42) в положение "О". Смукателната помпа ще се спре след 5 секунди.
10. Натиснете ключа за регулиране на водния поток (44) в положение "О", за да спрете напълно магнитния клапан.
11. Натиснете бутона за включване (41) в положение "О".
12. Използвайте лоста (14), за да повдигнете гумения накрайник.
13. Хванете кормилния лост (2) и леко наклонете уреда назад, докато водещото колело (В) докосне пода. Виж Фигура 12



Фигура 12

ЕКСПЛУАТАЦИЯ НА ПОДОЧИСТАЧКАТА (ПОЧИСТВАНЕ И ПОДСУШАВАНЕ)

1. Стартирайте уреда според описанието по-горе.
2. Задръжте предпазителя (1) (както е показано на **Фигура 11**), придвижете уреда напред и започнете почистването.
3. Ако е необходимо, изключете уреда и регулирайте лоста на гумения накрайник. (Проверете стъпките за балансиране на гумения накрайник)
4. Ако е необходимо, изключете уреда и регулирайте водния поток посредством сферичен кран. (Проверете стъпките за регулиране на водния поток.)



ВНИМАНИЕ!

За да предотвратите наранявания на подовата настилка, изключвайте от бутона (41), когато оставяте уреда на едно място.

Разреждане на акумулатора по време на работа

5. Зарядът на батерията е достатъчен за нормалното функциониране на уреда, само ако зелената предупредителна светлина (38) свети постоянно.



ЗАБЕЛЕЖКА

Когато и четирите зелени светлини (38) светят, това означава, че акумулаторът е напълно зареден.

Когато свети само последната зелена светлина (38) и започва да мига, това означава, че акумулаторът трябва да се зареди. В противен случай уредът ще се изключи автоматично след няколко минути.

Когато и последната зелена светлина (38) угасне и червената светлина (39 и 40) започне да мина, уредът ще се изключи автоматично след няколко минути. (Проверете стъпките в раздел "Поддръжка").



ВНИМАНИЕ!

Не използвайте уреда при недостатъчен заряд на акумулатора, за да не се повреди акумулаторът и да се съкрати полезният му живот.

ИЗТОЧВАНЕ НА РЕЗЕРВОАРИТЕ

Когато резервоарът за мръсна вода е пълен, поплавъкът на блокиращата тапа (36) ще блокира смукателната помпа. Внезапното усилване на шума от смукателната помпа сигнализира за претоварването на помпата и резервоарът за мръсна вода трябва незабавно да се изочи.



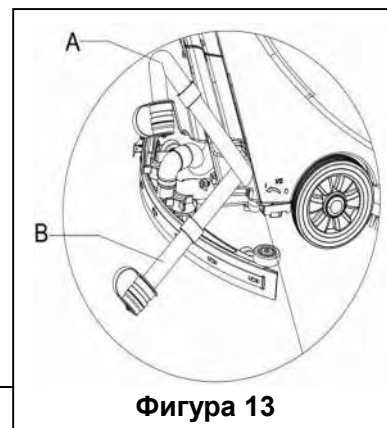
ВНИМАНИЕ!

Ако смукателната помпа се изключи внезапно (например при рязкото преместване на уреда, което активира блокиращата тапа), изпълнете следните стъпки с цел подновяване на работата: натиснете бутона за включване (41 и 42), за да спрете захранването и смукателната помпа и отворете капака на резервоара за мръсна вода (25), за да проверите дали поплавък и филтъра са се върнали на повърхността. Затворете капака на резервоара за мръсна вода (25), и натиснете бутона за включване (41 и 42), за да включите захранването и смукателната помпа.

Когато резервоарът се напълни с мръсна вода, следвайте инструкциите, за да го изочите.

Източване на резервоара за мръсна вода

1. Изключете уреда.
2. Повдигнете гумения накрайник посредством лоста (14).
3. Закарайте машината в определеното за изливане на отработената вода място.
4. Хванете кормилния лост (2) и леко наклонете уреда назад, докато водещото колело (B) докосне пода. (За фиксиране



Фигура 13

на уреда, проверете процедурата, описана в раздела "Изключване на уреда".)

5. Извадете маркуча за източване от фиксиращара скона, огънете горната част на маркуча (както е показано в **А, Фигура 13**), и отворете тапата на маркуча, наведете го до сифона и източете водата. Ако предпочитате, директно поставете маркуча възможно най-ниско до земята и обърнете отвора за водата надолу (както е показано в **В, Фигура 13**), след това отворете тапата за източване и изпразнете резервоара. След като източите напълно, изплакнете резервоара с чиста вода.

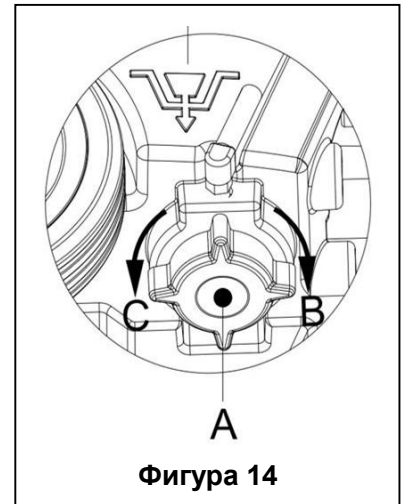


ВНИМАНИЕ!

При източване на отпадната вода, смукателната тръба за отпадъците трябва да бъде прегъната или поставена ниско (както е показано на Фигура 12 А или В), след това отворете тапата на смукателната тръба, за да изтече мръсната вода. Не обръщайте отвора на смукателната тръба за отпадъците нагоре, за да тече водата вертикално. Целта е да се избегне разливането на мръсна вода.

Източване на контейнера за разтвор

6. Изпълнете Стъпки от 1 до 4.
7. Както е посочено на **Фигура 14**, отворете капака на контейнера за разтвора (А) обратно на часовниковата стрелка в посока С, и източете контейнера с чиста вода. След това затегнете капака на контейнера за разтвора (А) по посока на часовниковата стрелка в посока В.



Фигура 14

СЛЕД УПОТРЕБА НА УРЕДА

След приключване на работа и преди да приберете уреда, изпълнете следните стъпки:

1. Следвайте процедурата, описана в предходния раздел, относно монтажа/ демонтажа на четката/ накрайника на подложката.
2. Следвайте процедурите, описани в съответните раздели, източете напълно и двата резервоара.
3. Изпълнете процедурите по ежедневната поддръжка (виж глава "Поддръжка").
4. Приберете уреда, включително четката/ накрайника на подложката и гумения накрайник, на сухо и чисто място. Гуменият накрайник трябва да бъде вдигнат и демонтиран.

ПРОДЪЛЖИТЕЛЕН ПЕРИОД НА БЕЗДЕЙСТВИЕ

Ако уредът няма да се ползва повече от 30 дни, направете следното:

1. Изпълнете процедурите, показани в раздела "След използване на машината".
2. Изключете конектора на акумулатора (9).
3. За да не повредите акумулатора, ако уредът няма да се ползва за повече от 3 месеца, зареждайте акумулатора на всеки 3 месеца.

ПЪРВИ ПЕРИОД НА УПОТРЕБА

След първите 9 часа на употреба, проверете всички части, както и дали свързващите елементи са добре затегнати; освен това проверете дали видимите части са цели и има ли течове.

ПОДДРЪЖКА И ОБСЛУЖВАНЕ

Продължителността на живот и нейната безопасна работа зависят от правилната и редовна поддръжка.

Таблицата по-долу предоставя график на интервалите по поддръжката. Показаните интервали могат да варират в зависимост от конкретните условия на работа. Те трябва да се определят от човека, който е ангажиран с поддръжката.



ПРЕДУПРЕЖДЕНИЕ!

Процедурите трябва да се извършват при изключена машина и разкачен акумулатор. Също така, внимателно прочетете инструкциите в глава "Безопасност" преди да извършите каквато и да е процедура по поддръжката / ремонта.

Всички процедури по поддръжката, били те по график или извънредни, трябва да се извършват от квалифициран персонал или от упълномощен сервизен център.

Това ръководство описва само най-лесните и най-често прилагани процедури по поддръжката. За другите процедури по поддръжката, показани в Таблицата с график за поддръжка, направете справка в инструкциите за сервизно обслужване, които са достъпни във всеки сервизен център.

ТАБЛИЦАТА С ГРАФИКА ЗА ПОДДРЪЖКА

Процедура	Ежедневно непосредствено след употреба	Ежеседмично	На всеки 6 месеца	Ежегодно
Зареждане на акумулатора				
Почистване на гумения накрайник				
Почистване на четката/ накрайника на подложката				
Почистване на резервоарите и филтъра на поплавъка, проверка на гарнитурите на резервоарите				
Проверка и смяна на лентата на гумения накрайник				
Почистване на филтъра на разтвора				
Почистване на филтъра на смукателната помпа				
Проверка на нивото на течността в акумулатора (ОЛОВЕН)				
Проверка за натягането на винтовете и гайките			(1)	
Проверка и смяна на карбонотвата четка на мотора на четката/ накрайника на подложката				(2)
Проверка и смяна на карбоновата четка на смукателната помпа				(2)

(1) Трябва да се извърши след първите 9 работни часа.

(2) Тази процедура по поддръжката трябва да се направи от официален сервизен център на Вайпър.

ЗАРЕЖДАНЕ НА АКУМУЛАТОРА



ЗАБЕЛЕЖКА

Заредете акумулатора, който светне червената или жълтата светлина или в края на всеки работен цикъл.



ВНИМАНИЕ!

Поддържането на пълен заряд в акумулаторите удължава живота им.



ВНИМАНИЕ!

Когато акумулаторите са паднали, заредете ги възможно най-скоро, тъй като това състояние скъсява живота им. Проверявайте заряда на акумулаторите поне веднъж седмично.



ВНИМАНИЕ!

Ако уредът не е оборудван с вградено зарядно устройство, изберете подходящо външно зарядно, за да зареждате акумулаторите.

**ПРЕДУПРЕЖДЕНИЕ!**

Бъдете особено внимателни, когато зареждате акумулаторите, защото може да има течове. Акумулаторната течност е корозивна. Ако киселината влезе в контакт с кожата или очите ви, изплакнете обилно с вода и потърсете лекар.

1. Отворете капака на резервоара за мръсна вода (25) и проверете дали резервоарът е празен. Ако не е празен, източете го посредством маркуча. (15).
2. Закарайте машината на определеното за зареждане на акумулатора място.
3. Натиснете бутона за включване (41) в положение "O", за да изключите уреда.
4. Важи само за ОЛОВНИ акумулатори.
 - Проверете нивото на електролитна течност в акумулатора. Ако е необходимо, долейте през капачетата.
 - Оставете всички капаци отворени.
 - Ако е необходимо, почистете горната част на акумулаторите.
5. Заредете акумулаторите, като следвате една от процедурите, в зависимост от наличието на зарядно за акумулатора.

Зареждане на акумулаторите с външно зарядно

6. Проверете дали зарядното е подходящо в Инструкциите за зарядно устройство на акумулатора. Номиналното напрежение на зарядното е 24 V.
7. Извадете конектора на акумулатора и го свържете към външното зарядно за акумулатора, а него - към електрическата мрежа.
8. След зареждането изключете зарядното от ел. мрежата и от конектора на акумулатора

Зареждане на акумулатора с вградено зарядно

9. Свалете гумената тапа в края на конектора на акумулатора.
10. Включете края на конектора на акумулатора към ел. мрежата (Обърнете внимание, че входящото напрежение на вграденото зарядно е 220V – 240V, а изходящото напрежение от 24V и честотата отговарят на изискванията). Когато зарядното устройство е включено в електрическата мрежа, всички функции на машината автоматично се изключват. Когато червената предупредителна светлина на вграденото устройство свети, това значи, че акумулаторът се зарежда.
11. Когато свети зелената предупредителна светлина (47), това означава, че зареждането е приключило.
12. Когато акумулаторът е зареден, изключете кабела от акумулатора и от захранването, и поставете отново гумената тапа.
13. Изключете кабела на зарядното от захранването и навийте кабела на макарата (6).

**ЗАБЕЛЕЖКА**

Ако се нуждаете от повече информация за вграденото зарядно устройство (35), проверете в съответното ръководство.

ПОЧИСТВАНЕ НА ГУМЕНИЯ НАКРАЙНИК**ЗАБЕЛЕЖКА**

За запазване на оптимален ефект от почистването, гуменият накрайник трябва да е чист и лентите трябва да са в добро състояние, за да се получи добро подсушаване.

**ВНИМАНИЕ!**

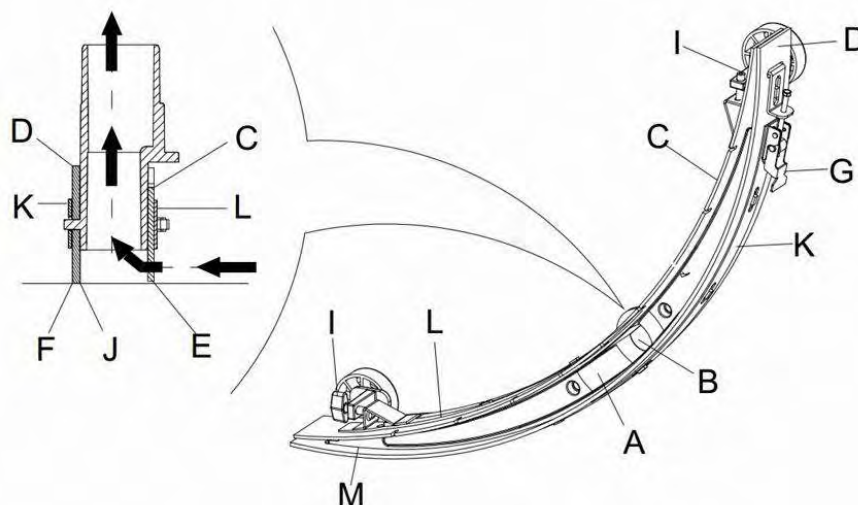
Препоръчително е да се носят защитни ръкавици при почистването на ракела, защото по нея може да има остри предмети.

1. Поставете уреда на нивото на пода.
2. Натиснете бутона за включване (41) в положение "O", за да изключите уреда.
3. Развийте фиксирания лост (16) на гумения накрайник; свалете конектора на смукателната тръба за отпадъците от накрайника и го демонтирайте.
4. Използвайте повдигачия лост (14) за да повдигнете носещата рамка на гумения накрайник.

5. Почистете гумения накрайник (**Фигура 15**). Почистете добре отвора (**А, Фигура 15**) и отстранете замърсяванията от смукателната тръба. Проверете дали предната (С) и задната чистачка (D) са в добро състояние - без разкъсвания и напуквания. Ако е необходимо, подменете ги (следвайки стъпките в следващия раздел).
6. Монтирайте гумения накрайник, следвайки стъпките в обратен ред.

ПРОВЕРКА И СМЯНА НА ЧИСТАЧКИТЕ НА ГУМЕНИЯ НАКРАЙНИК

1. Почистете гумения накрайник, както е описано в предходния параграф (Фигура 15).
2. Проверете дали ръбовете (Е, Фигура 15) на предната чистачка и ръбовете (F) на задната чистачка (D) са на едно и също ниво по цялата си дължина. Ако не са подравнени, регулирайте височината им според описаната процедура.
 - Разхлабете обтегача (G), за а освободите задната чистачка (D) от пристягащата скоба (M), за да регулирате позицията ѝ. След това затворете обтегача отново.
 - Разхлабете винта на дръжката (I), за да регулирате предната чистачка (C); след това отново затегнете винта.
3. Проверете дали предната (C) и задната чистачка (D) са в добро състояние - без разкъсвания и напуквания. Ако е необходимо, подменете ги по един от следните начини. Проверете дали предният край на задната чистачка (J) е износен. Ако е износен, обърнете го наопаки (горните краища трябва да бъдат здрави). Ако другите краища също са износени, сменете лентата като следвате тази процедура:
 - Разхлабете обтегача (G), за а освободите притискателната чистачка от пристягащата скоба (M), свалете придържащата лента (K), след което сменете ило обърнете задната чистачка (D) наопаки. Поставете чистачката в обратния ред на демонтажа.
 - Разхлабете винта на дръжката (I) и свалете предната придържаща лент(L), едва след това сменете предната чистачка (C). Поставете чистачката в обратния ред на демонтажа.
 След смяната (или обръщането) на острието регулирайте височината както е показано в предишните стъпки.
4. Свържете смукателната тръба (11) към гумения накрайник.
5. Монтирайте гумения накрайник и използвайте бутона (16), за да го затегнете. След това свържете смукателната тръба.
6. Ако е необходимо, регулирайте баланса на гумения накрайник чрез кормилото (20) (проверете процедурите за балансиране на гумения накрайник).



Фигура 15

ПОЧИСТВАНЕ НА ПОДЛОЖКАТА**ВНИМАНИЕ!**

Препоръчително е да се носят защитни ръкавици при почистването на четката/парцала, защото потях може да има остри остатъци

1. Свалете четката/ накрайника на подложката, както е описано в предните раздели.
2. Почистете четката/ накрайника на подложката с вода и почистващ препарат.
3. Проверете дали четката е повредени или износена; ако е необходимо я сменете.
4. Проверете дали накрайника на подложката е повреден или износен; ако е необходимо го сменете.

ПОЧИСТВАНЕ НА РЕЗЕРВОАРА И ЦЕДКАТА НА ФИЛТЪРА НА ПОПЛАВЪКА

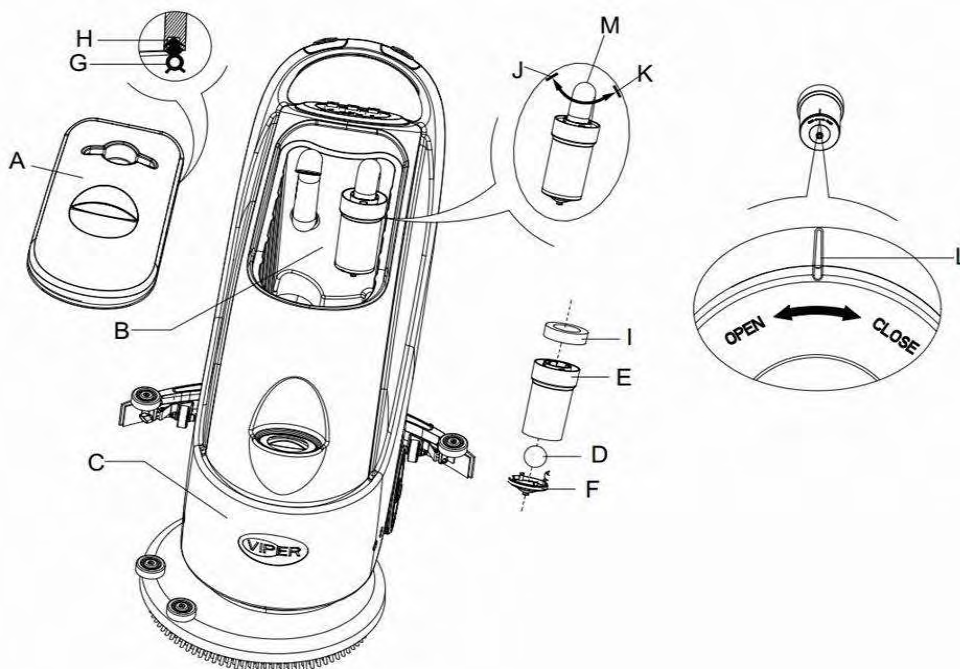
1. Закарайте машината в определеното за изливане на отработената вода място.
2. Натиснете бутона за включване (41) на позиция "O" и изключете уреда.
3. Отворете капака на резервоара за мръсна вода (A, **Фигура 16**) и свалете блокиращата тапа (36).
4. Изплакнете капака на резервоара за мръсна вода (A), резервоара (B и C) и носещата рамка на филтъра на поплавка (E) с чиста вода. Източете водата от резервоара с помощта на източващата тръба (15).
5. Ако е необходимо, следвайте символите "Отворено" и "Затворено", както е показано на **Фигура 16**, отворете долната тапа (F) на филтъра на поплавка и почистете поплавка (D), носещата рамка (E), и гъбата на филтъра (I). След почистването, фиксирайте поплавка на носещата рамка (E), след което подравнете маркировката на отвора (L) на долната тапа (F) на филтъра на поплавка с маркировката на отвора (L) на носещата рамка (E). Затегнете долната тапа (F) на филтъра на поплавка и фиксирайте гъбата на филтъра (I) на носещата рамка (E), а след това и към смукателната тръба.
6. Проверете целостта на гарнитурата (G) на капака на резервоара.

**ЗАБЕЛЕЖКА**

Гарнитурата (G) създава вакуум в резервоара, който е необходим за всмукването на отработената вода. Трябва да е напълно уплътнен, за да създаде оптимален вакуум.

Ако е необходимо гарнитурата на резервоара (G) може да се извади от отвора (H) и да се замени. Когато сглобявате новото уплътнение, както е показано на **Фигура 16**, поставете конектора в задната централна част.

7. Проверете дали работната повърхност на гарнитурата (G) е непокътната и отговаря на самата гарнитура.
8. Затворете капака (A).



Фигура 16

ПОЧИСТВАНЕ НА ФИЛТЪРА ЗА РАЗТВОРА

1. Източете водата от контейнера за разтвора, както е описано в по-предните раздели.
2. Поставете машината на гледка и равна повърхност.
3. Натиснете бутона за включване (41) в положение "O", за да изключите уреда.
4. Затворете сферичен кран (A, **Фигура 17**) (разположена от долната страна на уреда зад колелата). сферичния кран е отворен в позиция B и е отворен в позиция C.

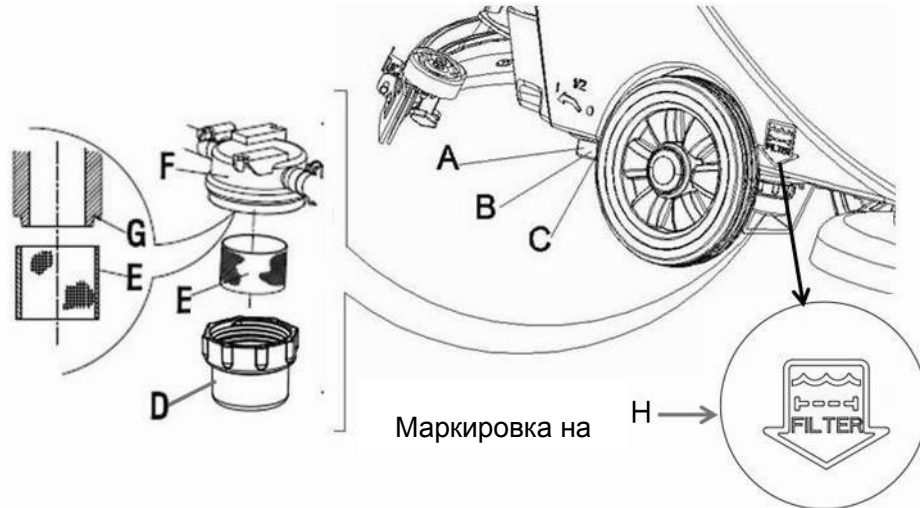
- Свалете прозрачния капак (D) и филтъра (E) и го сложете върху рамката (F) след почистване.



ЗАБЕЛЕЖКА

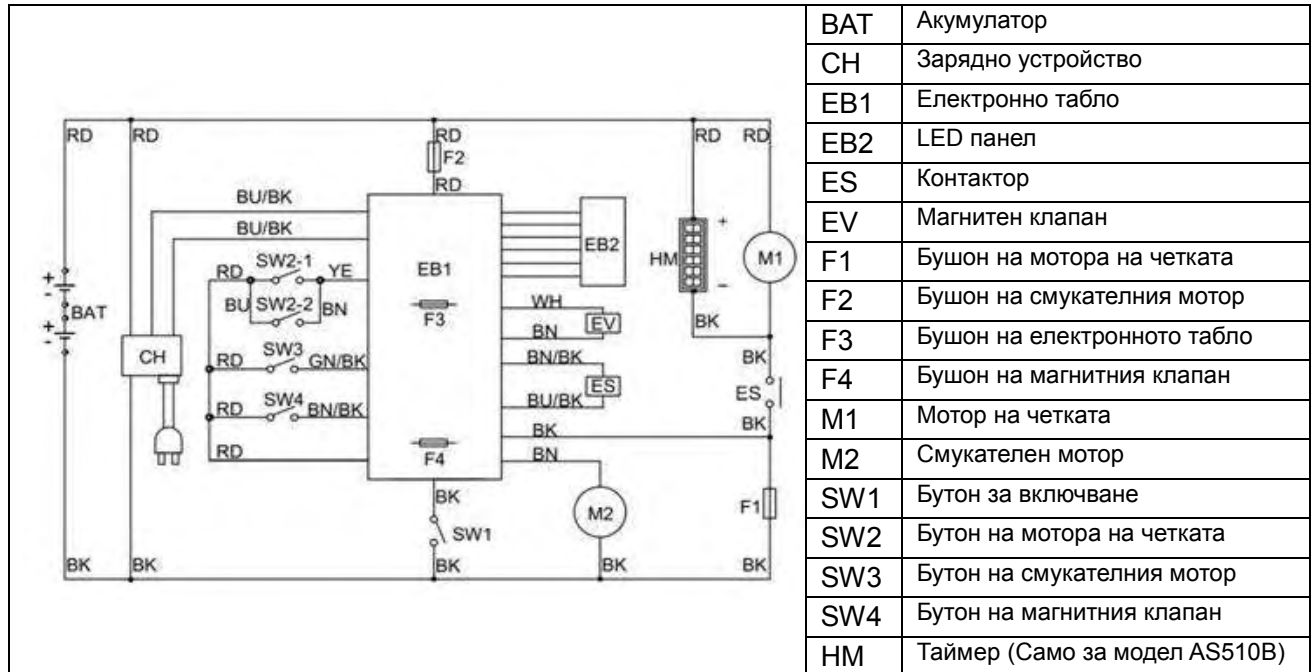
Филтърът (E) трябва да бъде монтиран правилно в позиция на проекция (G).

- Отворете източващия сферичен кран (A).



Фигура 17

СХЕМА НА ВЕРИГАТА НА AS430B и AS510B



ЦВЕТНИ КОДОВЕ		
RD=Червен	BN=Кафяв	BU/ВК = Син/ Черен
BU=Син	YE=Жълт	GN/ВК = Зелен/ Черен
ВК=Черен	WH=Бял	BN/ВК = Кафяв/ Черен

РАЗРЕШАВАНЕ НА ПРОБЛЕМИ

Проблем	Вероятна причина	Решение
Уредът не работи: Индикаторът не свети	Конекторът на акумулатора (9) не е включен	Включете конектора на акумулатора
	Акумулаторът е изтощен	Заредете акумулатора
Предупредителните светлини (39 и 40) мигат	Моторът на четката е претоварен	Използвайте по-малко натоварващи четки и/или избягвайте работа при включен допълнителен натиск.
	Чужди тела пречат на въртенето на четките	Почистете четката
Четката не работи	Задействане на предпазителя на четката	Възстановяване
	Ремъкът се изхлузва	Проверете ремъка, регулирайте обтягащата ролка
Смукателният мотор не работи	Задействане на предпазителя на прахосмукачката	Възстановяване
Недостатъчен вакуум	Резервоарът за мръсна вода е пълен.	Източете резервоара
	Смукателната тръба за отпадъци и гуменият накрайник не са правилно монтирани	Свържете смукателната тръба за отпадъци и гумения накрайник
	Филтърът на поплавъка или отворът са блокирани	Проверете филтъра и поплавъка
	Гуменият накрайник или четките са износени или повредени	Проверете и почистете гумения накрайник
	Капакът на резервоара не е затворен както трябва или гарнитурата е повредена.	Затворете капака или сменете уплътнението.
Потокът на миещ препарат към четката е недостатъчен.	Филтърът е замърсен	Почистете филтъра
Гуменият накрайник оставя следи	Под чистачките на гумения накрайник има попаднали замърсявания и частици	Отстранете замърсяванията
	Чистачките на гумения накрайник са износени, отчупени или разкъсани.	Сменете чистачките на гумения накрайник
	Гуменият накрайник не е балансиран	Балансирайте го

**ЗАБЕЛЕЖКА**

Ако уредът е оборудван с опционално вградено зарядно устройство, в случай на неизправност, уредът не работи.

В случай на неизправност, свържете се с упълномощен сервизен център.

За повече информация, моля проверете ръководството за поддръжка (налично във всеки център за обслужване на Вайпър).

БРАКУВАНЕ НА УРЕДА

Уредът трябва да бъде унищожен с подходяща скрапираща машина.

Преди да скрапирате машината, отстранете и отделете следните материали, които трябва да се изхвърлят в съответствие с актуалното законодателство:

- Акумулатор
- Четка/накрайник на подложката
- Пластмасови маркучи и компоненти
- Електрически и електронни компоненти (*)

(*): Направете справка в най-близкия център на Вайпър (особено относно скрапиране на електрически и електронни компоненти).

IMENIK

UVOD	277
VSEBINA PRIROČNIKA	277
NAMEN	277
REZERVNI DELI IN VZDRŽEVANJE	277
SPREMEMBE IN IZBOLJŠAVE	277
OBSEG UPORABE	277
RAZPAKIRANJE/PREVOZ	277
SPLOŠNA VARNOSTNA VODILA	278
TEHNIČNI PODATKI	279
OPIS NAPRAVE	279
SESTAVA NAPRAVE	279
NADZORNA PLOŠČA	280
PRIKAZNO OKNO INDIKACIJSKE LUČKE POLNILNIKA	281
VODILO ZA UPORABO	281
NAMESTITEV IN NASTAVITEV BATERIJE NOVE NAPRAVE	281
NAMEŠČANJE BATERIJE IN DOLOČITEV TIPA BATERIJE (WET ALI GEL/AGM)	282
PRED ZAGONOM NAPRAVE	283
NAMESTITEV IN ODMONTIRANJE KRTAČE / DRŽALA BLAZINICE	283
PRILAGAJANJE RAVNOVESJA BRISALCA	283
REGULIRANJE KOLIČINE VODNEGA PRETOKA	284
ZAGON IN USTAVITEV NAPRAVE	284
ROKOVANJE Z NAPRAVO (BRISANJE INSUŠENJE)	285
PRAZNJENJE REZERVOARJA	285
PO UPORABI NAPRAVE	286
OBDOBJA NEDELOVANJA	287
PRVA UPORABA	287
VZDRŽEVANJE IN NEGA	287
TABELA NAČRTOVANIH VZDRŽEVANIH DEL	287
POLNJENJE BATERIJE	288
ČIŠČENJE BRISALCA	288
PREVERJANJE REZILA BRISALCA IN NJEGOVA ZAMENJAVA	289
ČIŠČENJE KRTAČE/POLIRNE BLAZINICE	290
ČIŠČENJE VODNEGA REZERVOARJA IN MREŽICE PLOVNEGA FILTRA	290
ČIŠČENJE FILTRA RAZTOPINE	291
SLIKA VEZJA AS430B IN AS510B	292
ODPRAVLJANJE TEŽAV	293
ODSTRANITEV NAPRAVE	293

UVOD



OPOMBA

Številke v oklepajih se nanašajo na sorodne komponente, prikazane v poglavju Opis naprave.

VSEBINA PRIROČNIKA

Ta priročnik daje operaterju potrebne informacije za pravilno in varno uporabo te naprave. V te informacije so vključeni tehnični podatki, varnost, obratovanje, hramba, vzdrževanje in odstranjevanje naprave. Operater in primerno usposobljeni tehniki morajo pazljivo preučiti ta priročnik, preden pričnejo uporabljati in vzdrževati to napravo. Prosimo, kontaktirajte VIPER, vkolikor želite razlago teh navodil ali ko so potrebne nadaljnje informacije.

NAMEN

Namen tega priročnika je usposabljanje operaterja in kvalificiranih tehnikov, da uspešno vzdržujejo to napravo.

Operater ne sme izvajati tistih operacij, ki bi jih naj opravljali samo tehniki. VIPER ne odgovarja za kakršnekoli poškodbe, ki bi bile povzročene kot posledica kršenja tega pravila.

REZERVNI DELI IN VZDRŽEVANJE

Vse potrebne posege, vzdrževanje in postopke popravila, mora opraviti kvalificirano osebje ali servisni centri podjetja VIPER

Samo pooblaščen rezervni deli in dodatki se lahko uporabijo.

Če je potreben servis ali naročanje rezervnih delov, oziroma dodatkov, prosimo kontaktirajte VIPER in sporočite številko modela naprave in serijske številke.

SPREMEMBE IN IZBOLJŠAVE

VIPER neprenehoma izboljšuje svoje izdelke. VIPER si pridržuje pravico spreminjanja in izboljševanja naprav, prav tako tudi pravico samostojnega odločanja, ali so koristi, ki jih prinesejo spremembe, primerne tudi za že prodane izdelke. Vse spremembe ali naknadni dodatki morajo biti odobreni in izvedeni s strani podjetja VIPER.

OBSEG UPORABE

Ta brisalnik se uporablja v domačem in industrijskem okolju in je primeren za čiščenje gladkih in trdih tal (čiščenje in zbiralnik odpadne vode). Uporabljati ga morajo kvalificirani operaterji v varnem okolju. Tega brisalnika se ne sme uporabljati za zunanje čiščenje, na preprogah in na relativno grobih tleh.

RAZPAKIRANJE/PREVOZ

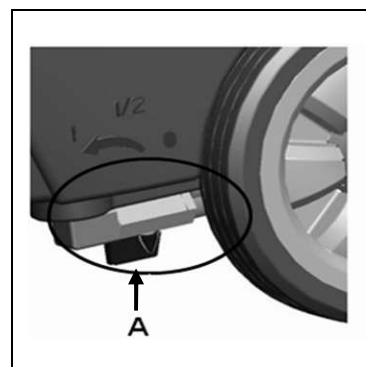
Prosimo, previdno sledite navodilom na embalaži, ko razpakirate.

Ob dostavi prosimo preverite embalažo in napravo, da se prepričate, da med prevozom ni prišlo do poškodb. Če je vidna poškodba, prosimo ohranite prvotno obliko in prosite dostavno službo, da potrdi, in izpolni seznam poškodb, za kompenzacijo.



- PREVIDNOST

Med razpakiranjem in razkladanjem, ali med premikanjem naprave po tleh s stopnicami, prosimo pazite, da ne trčite stikala za vklop/izklop regulacije vodnega toka, del A na desni sliki.



Preverite, ali je naprava opremljena z naslednjimi predmeti:

1. Tehnični dokumenti
 - Uporabniški priročnik brisalnika
 - Navodila za vgrajeni polnilnik (če je na voljo)
2. konektor za polnilnik (če ni na voljo z vgrajenim polnilnikom, je na določenem zunanjem polnilniku)

SPLOŠNA VARNOSTNA VODILA

Sledijo posebna opozorila in obvestila glede možnih poškodb (osebja in naprave):

**OPOZORILO !**

- Z napravo je potrebno rokovati samo pod vodilom tega priročnika. Uporabljeni so lahko samo dodatki, odobreni s strani podjetja VIPER.
- To napravo sme uporabljati samo ustrezno usposobljeno pooblaščen osebje. Otroci ali neprimerne osebe ne smejo uporabljati te naprave.
- Pri normalni uporabi lahko baterija oddaja vnetljive pline. Baterije ne približujte sevanju, osvetlitvi in gorečim predmetom, niti iskram. Ko je naprava v uporabi, se prepričajte, da je okolica dobro prezračena in ni izpostavljena golim plamenom. Pri polnjenju ne kadite v bližini naprave.
- Prosimo odklopite baterijo, preden pričnete z vzdrževalnimi/popravnimi deli.
- Pred uporabo vgrajenega polnilnika se prepričajte, da so vrednosti voltaže in frekvence takšne, kot so prikazane na nalepki s serijsko številko in se ujemajo s tistimi na električnem omrežju.
- Ko delate blizu električnih delov, prosimo ne nosite nobenega nakita. Prosimo upoštevajte vse varnostne ukrepe, da se vaši lasje, nakit ali ohlapna oblačila ne bi ujeli v kateri koli premikajoči se del naprave.
- Prosimo ne uporabljajte te naprave na izredno umazanih mestih. Naprave ne perite neposredno z vodo. Ne dovolite, da naprava pride v stik s korozivnimi tekočinami.
- Temperatura za hrambo in delovno okolje naprave mora biti med 0-40°C.
- Vlažnost zraka mora biti med 30% - 105%.
- Prosimo ne uporabljajte naprave na pobočju z naklonom več kot 2%.
- V primeru požara, prosimo uporabite gasilne aparate s suhim prahom. Ne uporabljajte gasilne aparate na tekočino.
- Posebna pozornost je potrebna, ko je se napravo prevaža pod 0°C. Vodni rezervoar in voda v ceveh lahko zamrznejo in povzročijo resne poškodbe na napravi.
- Uporabite krtače in blazinice, ki pridejo skupaj z napravo in tiste, ki so določene v uporabniškem priročniku. Uporaba drugih krtač in blazinic lahko zmanjša varnost.
- V primeru okvare naprave se prepričajte, da le-ta ni povzročena zaradi pomanjkanja vzdrževanja. Če okvaro povzročajo drugi pogoji, potem poiščite pomoč pooblaščenega osebja ali servisnega centra.
- Če je potrjeno, da je rezervne dele potrebno zamenjati, prosimo zavarujte originalne dele pred pooblaščenimi posredniki ali agenti.
- Za varno in pravilno delovanje naprave, prosimo dovolite pooblaščenemu osebju ali servisnemu centru, da izvede načrtovano vzdrževanje glede na vzdrževalni časovni razpored v sorodnih odsekih tega priročnika.
- Ta naprava mora biti na pravilen način odvržena, saj gre lahko za strupene in nevarne zadeve (baterije, itd.) in te zadeve je potrebno odvreči v posebnih centrih v skladu s sorodnimi zakoni in določbami (prosimo glejte poglavje za odstranjevanje naprave).

TEHNIČNI PODATKI

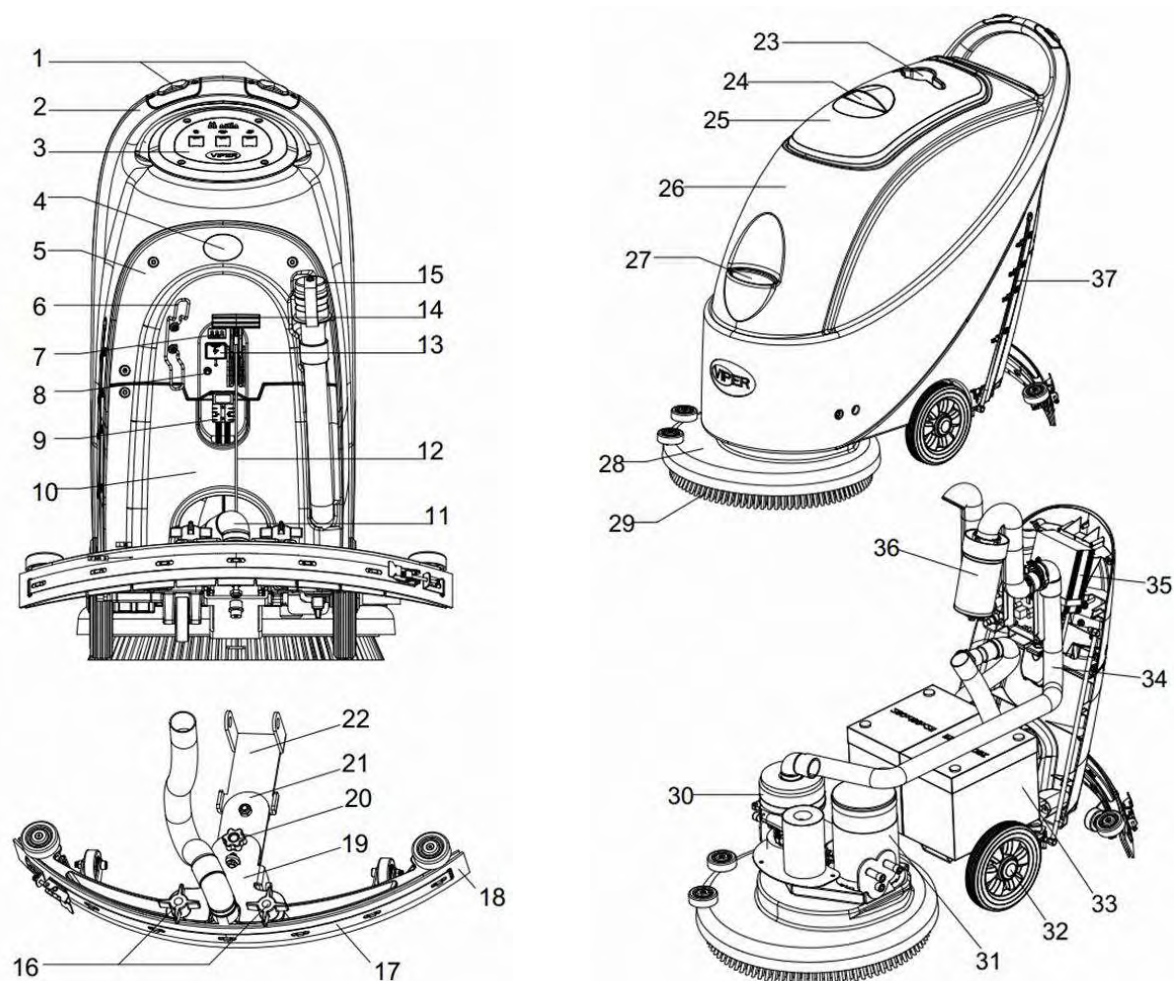
Model	AS430B	AS510B
Višina naprave	980mm	
Kapaciteta rezervoarja raztopine	40 litrov	
Kapaciteta zbiralne posode	40 litrov	
Premer transportnega kolesa	200mm	
Premer vodilnega kolesa	76mm	
Moč motorja sesalnega sistema	350w	
Največji naklon med delom	2%(Največ)	
Pritisk hrupa pri delovni postaji	70dB(A) ±3dB(A)	
Standardne baterije	(2×12V) 24V 85Ah AGM	(2×12V) 24V 105Ah AGM
Velikost prostora za baterijo (Š x D x V)	340 x 330 x 260mm(Največ)	
Kapaciteta krogotoka sesalnega sistema	1200 mm H ₂ O	
Čistilna širina	430mm	510mm
Brisalna širina	730mm	790mm
Največja dolžina naprave	1.060mm	1.100mm
Širina naprave brez brisalca	480mm	540mm
Premer krtače	430mm	510mm
Teža brez baterij in s praznimi rezervoarji	112kg	128kg
Bruto teža naprave, pripravljene za uporabo	152kg	168kg
Moč motorja krtače	550W	560W
Hitrost krtače	150rpm	
Največji pritisk držala krtače/blazinice	30kg (Največ)	35kg (Največ)
Velikost embalaže (Dx Š x V)	1200 x 610 x 1170mm	

OPIS NAPRAVE**SESTAVA NAPRAVE**

- Gumb za varnostno stikalo
- Krmilo
- Nadzorna plošča
- Tablica s serijsko številko/Tehnični podatki / Certifikat o skladnosti
- Nadzorni pokrov
- Držalo za kabel (*)
- Indikatorska lučka za polnjenje baterije
- Ponastavitveno stikalo
- Konektor baterije
- Pokrov baterije
- Sesalna cev za odpad
- Izvlačni kabel brisalca
- Varnostni pokrov konektorja baterije
- Dvižna ročka brisalca
- Drenažna cev
- Pritrjeni gumb brisalca
- Sponka brisalca
- Rezilo brisalca
- Podporni okvir brisalca
- Ročni nastavljalnik brisalca
- Zadnji podporni okvir brisalca
- Prednji podporni okvir brisalca
- Držalo za skodelico
- Ročaj pokrova zbiralne posode
- Pokrov zbiralne posode
- Telo rezervoarja
- Pokrov dovoda vode
- Pokrov za krtačo
- Krtača / držalo blazinice
- Motor sesalnega sistema
- Motor krtače
- 8" kolo
- Baterija
- Sesalna cev
- Polnilec (*)
- Plovni filter
- Cev nivoja vode (za prikaz količine vode v rezervoarju z raztopino)

(*) Velja samo za naprave, ki imajo vgrajeni polnilnik (neobvezno)

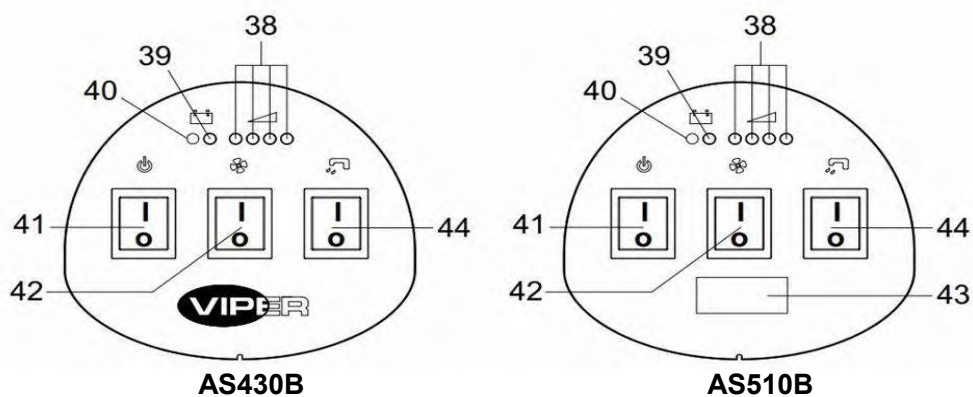
SLIKESESTAVE NAPRAVE



Slika 1

NADZORNA PLOŠČA (Slika2)

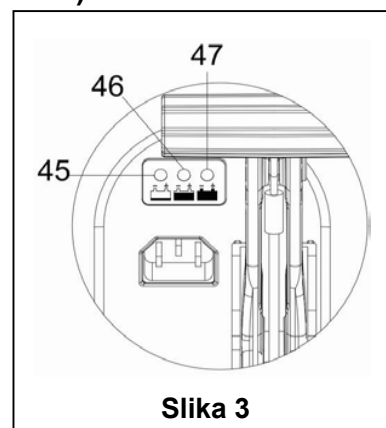
- 38. Indikacijska lučka za polnjenje baterije (zelena, ko je napolnjena)
- 39. Indikacijska lučka za prazno baterijo (rdeča)
- 40. Indikacijska lučka za prazno baterijo (rdeča)
- 41. Stikalo za vklop
- 42. Stikalo sesala
- 43. Časovnik (neobvezen, uporablja se za spremljanje delovnega časa krtače)
- 44. Elektromagnetni preklopni ventil za nadzor razprševanja vode



Slika 2

PRIKAZNO OKNO INDIKACIJSKE LUČKE POLNILNIKA (Slika 3)**(Neobvezno, velja za modele z vgrajenim polnilnikom)**

1. Ko se prične polnjenje, rdeča indikacijska lučka polnilnika (45) utripa nekajkrat in se potem ustali ter trajno sveti rdeče, s tem se pričinja prvi del polnjenja;
2. Po tem, ko se baterija polni nekaj časa, se rdeča indikacijska lučka polnilnika (45) ugasne, rumena indikacijska lučka (46) pa se prižge: vstop v drugo fazo polnjenja;
3. Po približno 10-urnem polnjenju se oranžna indikacijska lučka (46) ugasne, (47) zelena indikacijska lučka se prižge in prikazuje polna baterija, s tem je polnjenje zaključeno.

**OPOMBA**

- 1) Med polnjenjem, če utripa rumena indikacijska lučka: baterija ni kompatibilna s polnilnikom ali baterija ni pravilno priključena ali je prišlo do kratkega stika na izhodnem terminalu.
- 2) Če utripa rdeča indikacijska lučka: kratki stik v polnilniku. (Za podrobnosti glejte sorodna poglavja v navodilih polnilnika.)

VODILO ZA UPORABO**OPOZORILO**

Na nekaterih delih naprave so prilepljeni nekateri indikativni znaki:

- NEVARNOST
- OPOZORILO
- PREVIDNOST
- POSVETOVANJE

Med prebiranjem tega priročnika mora biti operater še posebej pozoren na simbole na teh znakih. Pod nobenimi pogoji se teh znakov ne sme prekrivati. Če so poškodovani, jih prosimo takoj nadomestite.

NAMESTITEV IN NASTAVITEV BATERIJE NOVE NAPRAVE**OPOZORILO**

Če je baterija nepravilno nameščena ali nenatančno priključena, se lahko električne komponente naprave resno poškodujejo. Baterijo lahko namesti samo usposobljeno osebje. Glede na številko modela baterije (WET ali GEL) v uporabi, nastavite funkcionalno vezje in vgrajeni polnilnik (neobvezno).

**Prosimo preverite, ali je baterija poškodovana, preden jo namestite.
Odklopite konektor baterije in vgrajeni priklop polnilnika.
Bodite previdni, ko se dotikate baterije.**

Ta naprava potrebuje dve (2) 12V bateriji. Prosimo povežite kot je prikazano na **Slika 4** na desni strani.

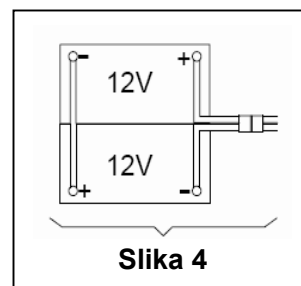
Ta naprava lahko dobavi katerega koli od naslednjih modelov:

a) Baterije (WEL ali GEL/AGM) so že nameščene in se lahko kadarkoli uporabijo.

1. Preverite baterijo. Skozi konektor (9) priključite baterijo na napravo.
2. (Velja samo za AS430B in AS510B): Pritisnite stikalo vklop/izklop (41). Če je prižgana zelena luč, je to znak, da je baterija pripravljena za uporabo. Če je prižgana oranžna ali rdeča luč, to pomeni, da je baterijo potrebno napolniti. (Prosimo glejte poglavje o vzdrževanju, za sorodne procedure).

b) Brez baterij

1. Kupite podobno baterijo (glejte poglavje o tehničnih parametrih). Informacije o izbiri baterije dobite pri usposobljenih agentih za baterije.

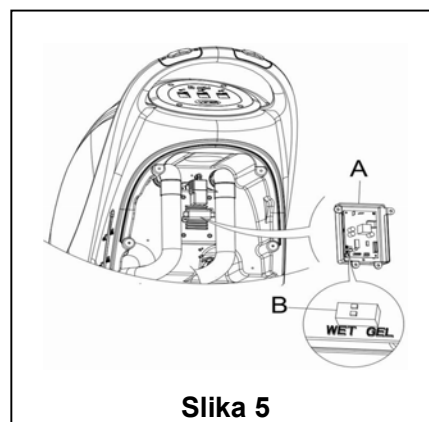


- Nastavite napravo in vgrajeni polnilnik (če je na voljo) glede na tip baterij (WET ali GEL/AGM). Pravtako preberite naslednji odstavek za način namestitve baterije.

NAMEŠČANJE BATERIJE IN DOLOČITEV TIPA BATERIJE (WET ALI GEL/AGM)

Glede na tip baterije (WET ali GEL/AGM) nastavite električno vezje na vgrajenem polnilniku. Procedura je sledeča:

- Prepričajte se, da je konektor baterije odklopljen. Če naprava temelji na "AGM" bateriji v tovarniškem času, pojdite takoj do koraka 8; drugače končajte korake 2, 3 in 4.
- Odstranite drenažno cev (15)
- Če je prisoten vgrajeni polnilnik, prosimo snamite polnilno žico s koluta.
- Odstranite kontrolni pokrov (5) in vijake s pokrova baterije (10). Odstranite vijake na PCB stojalu. DIP stikalo (B) za nastavev modela baterije je vidno, če obrnete PCB ploščo. (Glej **Slika 5**)
- Prilagodite mikro DIP stikalo (B) na položaj "WET",
- Končajte korake 3, 4 in 5 v obratnem vrstnem redu.



Slika 5

Namestitev baterij

- Odklopite konektor baterije (9) .
- Odprite pokrov zbiralne posode (25) in preverite, če je zbiralna posoda prazna ali ne; če ne, potem jo izpraznite preko drenažne cevi (15).
- Odvijte pritrjeni gumb brisalca (16), odstranite konektor, ki povezuje sesalno cev za odpad (11) z brisalcem in odstranite brisalec.
- Odvijte vijake na pokrovu baterije (10) in odstranite pokrov.
- Odvijte konektor vlečnega kabla brisalca (12), ki je priključen na nosilec brisalca (19) in obesite vlečni kabel brisalca navzgor.
- Obesite drenažno cev (15) in sesalno cev za odpad (11) navzgor.
- Glede na velikost baterije, pritisnite pritrdilno ploščo v baterijsko škatlo notri do konca.

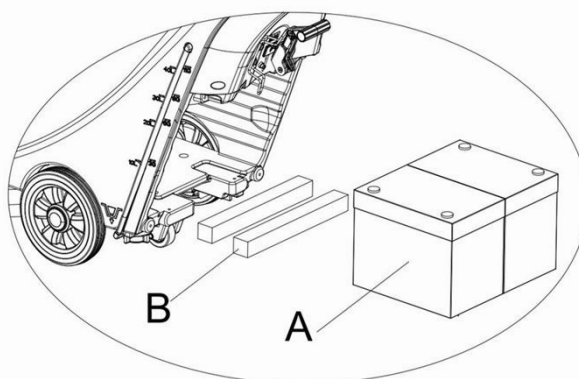


OPOMBA

Dimenzije baterij ne smejo biti presežene: V x Š x V: 330mm x 170mm x 260mm.

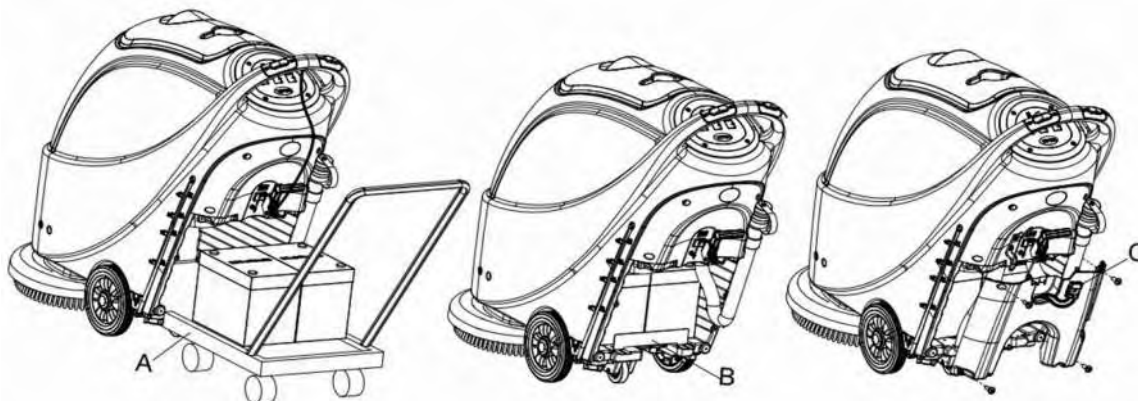
Glede na različne dimenzije baterij, so zahteve za izbiro pritrjenih baterij sledeče:

- Za baterije dolžine pod 270mm, uporabite 2 dela pritrdilne plošče (**B, Slika 6**) in ju namestite eno ob drugi znotraj baterije vodnega rezervoarja;
- Za baterije dolžine med 310mm-270mm, uporabite 1 dela pritrdilne plošče (**B, Slika 6**) in ga namestite znotraj baterije vodnega rezervoarja;
- Za baterije dolžine med 330mm-310mm ni potrebe po pritrdilni plošči za pritrditev pozicije.



Slika 6

- Namestite baterijo s posebej izdelanim namestitvenim orodjem za baterije (**A, Slika 7**). Po tem, ko je baterija nameščena, odstranite namestitveno orodje baterije in namestite pritrditveni nosilec (**B, Slika 7**).



Slika 7

15. Vstavite konektor baterije (C, Slika 7) skozi luknjo na vrhu pokrova baterijske škatle, vstavite drenažno cev skozi pravo luknjo pokrova baterijske škatle, pritrдите pokrov baterijske škatle s 4 vijaki in nato namestite izvlečni kabel brisalca, drenažno cev in brisalec, zaporedno.

Polnjenje baterije

16. Za polnjenje baterije (glejte korake v poglavju o vzdrževanju).

PRED ZAGONOM NAPRAVE

NAMESTITEV IN ODMONTIRANJE KRTAČE / DRŽALA BLAZINICE



OPOMBA

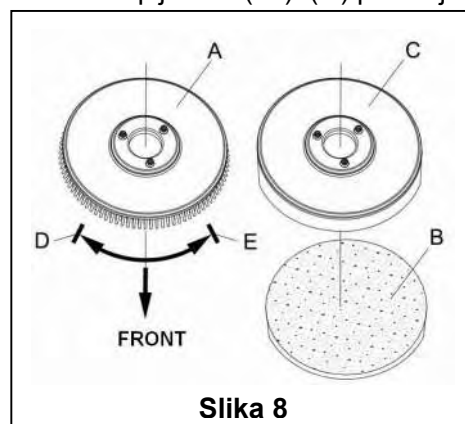
Glede na tip tal, ki bodo čiščena, se na napravo lahko namesti krtačo (Slika8, A) ali držalo za blazinico (Slika8, B in C).



PREVIDNO !

Ko ročno nameščate ali odmontirate krtačo/držalo blazinice, najprej preverite vsa stikala, da so izklopljena in dvignite brisalec s tal, nato lahko operirate s krtačo ali držalom za blazinico. Poleg tega vas naprošamo, da si nadenete zaščitne rokavice in se zaščitite pred urezninami odlomkov.

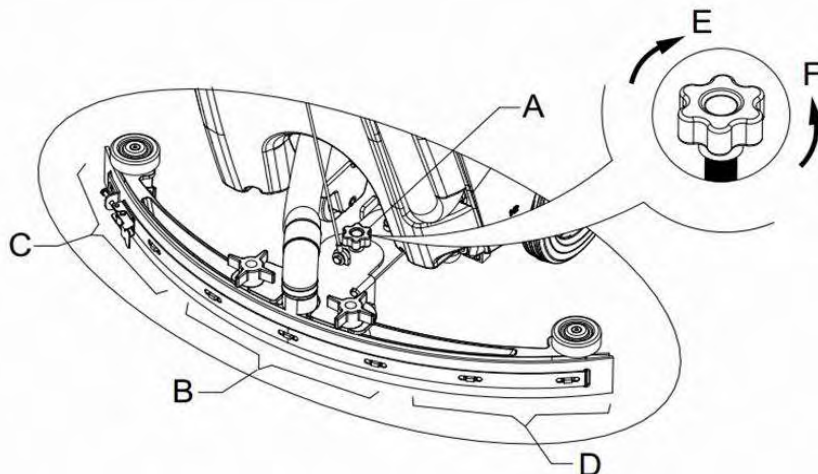
1. (Velja samo za **AS430B** in **AS510B**): prepričajte se, da je stikalo v izklopljenem (41) (O) položaju.
2. Pritisnite na krmilo (2) za dvig telesa rezervoarja (26).
3. Postavite krtačo (A) ali držalo blazinice (B - C) pod zaboj.
4. S pomočjo krmila (2) spustite telo rezervoarja (26), da pridete v kontakt s krtačo ali držalom blazinice.
5. Za samodejno namestitev krtače/držala blazinice, premaknite stikalo (41) v položaj "I" in pritisnite navzdol varnostno stikalo (1). Nežno potisnite napravo naprej in omogočite jermenskemu kolesu na dnu telesa rezervoarja, da se poravna s krtačo ali držalom blazinice, katero lahko nato namestite. Nato sprostite varnostno stikalo. Če je potrebno, ponavljajte to proceduro, dokler krtača/držalo blazinice, ni nameščeno.
6. Če se korak 5 izkaže za težavnega, uporabite ročno metodo s sledenjem glavi puščice (D) za namestitev krtače/držala blazinice (kot je prikazano na Slika 8).
7. Za samodejno razmontiranje krtače/držala blazinice, obrnite stikalo za vklop (41) v položaj "O". S pomočjo roke držite krmilo, pritisnite napravo navzdol, dokler se vodilno kolo ne dotakne tal in krtača/držalo blazinice ne obvisi v zraku. Stikalo za vklop (41) preklopite v "I" položaj in navzdol pritisnite varnostno stikalo, da pustite krtačo ali držalo blazinice obračati, dokler krtača/držalo blazinice ne pade na tla.
8. Če se 7. korak izkaže za pretežkega, uporabite ročno metodo z obračanjem krtače/držala blazinice v nasprotni smeri od običajne obračalne smeri in tako jo/ga bo mogoče odstraniti. (kot je prikazano na Slika 8)



Slika 8

PRILAGAJANJE RAVNOVESJA BRISALCA

9. Namestite brisalec in ga trdno pritrdite z ročko. Nato priključite sesalno cev za odpad na brisalec.
10. Prilagodite brisalec s pomočjo prilagoditvene ročke (A) brisalca (glej **Slika 9**).
 - 1) Če ima srednji del zadnjega traku brisalca, odsek B, razmak s tlemi ali je pritisk navzdol relativno majhen, prilagodite ročko v nasprotni smeri urinega kazalca, dokler se celotna dolžina zadnjega traku brisalca popolnoma ne dotakne tal. Prednji trak brisalca naj se lahko dotika tal.
 - 2) Če imata oba dela zadnjega traku brisalca, odseka C in D, razmak s tlemi ali je pritisk navzdol relativno majhen, prilagodite ročko v nasprotni smeri urinega kazalca, dokler se celotna dolžina zadnjega traku brisalca popolnoma ne dotakne tal. Prednji trak brisalca naj se lahko dotika tal.



Slika 9

Polnjenje rezervoarja z raztopino



PREVIDNO !

Samo negorljivi detergenti z malo pene, se lahko uporabijo. Ti detergenti morajo biti primerni za uporabo čistilnikov.

11. Odprite pokrov dotoka vode (27) in dodajte vodo v rezervoar raztopine. Ne prenapolnite rezervoarja. Dotakanje do samega vrha držala filtra vodnega dotoka bo zadosti. Pri pripravi čistilne raztopine prosimo sledite meram za razredčenje, ki so kemično izdelane in temperatura vode ne sme preseči 40⁰ C.

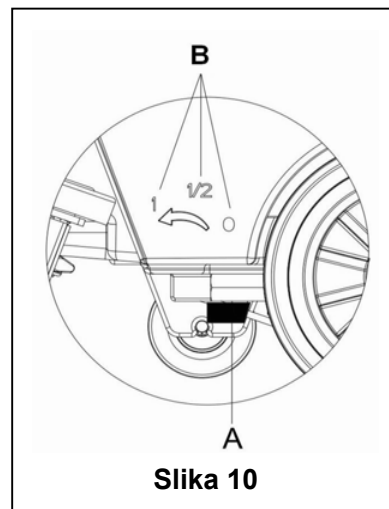
REGULIRANJE KOLIČINE VODNEGA PRETOKA



OPOZORILO !

Reguliranje ročke krogličnega ventila (A, Slika 10) mora biti opravljeno pod pogojem, ko je stikalo za vklop (41) v položaju "O"-

12. Količina vodnega pretoka je prilagodljiva preko ročke krogličnega ventila (A, Slika 10) glede na količino vode, ki je dejansko potrebna za čiščenje tal.



Slika 10

ZAGON IN USTAVITEVNAPRAVE

Zagon naprave

1. Končajte pripravljalne korake, kot je zapisano zgoraj.
2. Pritisnite napajalno stikalo (41) v položaj "I".
3. Uporabite ročko čistilnika (41) za znižanje brisalca.
4. Pritisnite stikalo vakuumske črpalke (42) v položaj "I".
5. Pritisnite stikalo nadzora pretoka količine vode (44) v položaj "I". (Obenem rokuje z varnostnim stikalom (1) in nadzorujte delo elektromagnetnega ventila.)
6. Pridržite varnostno stikalo (1) in ga potisnite za premik naprave. Krtača (29) se prične vrteti in naprava prične čistiti.

**POSVET: Način potiskanja naprave**

Ena izmed značilnosti naprave je namestitev dveh varnostnih stikal na obeh straneh krmila. Vsako varnostno stikalo je zmožno samostojno nadzirati delovanje krtače. Med uporabo, pomaga nadzorovati delovanje naprave.

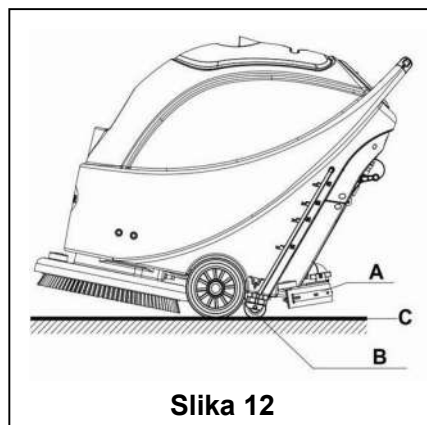
Po izkušnjah sodeč, je metoda premikanja naprave prikazana na desni Slika 11 bolj primerna, uporabniki se čutijo več udobnosti na rokah, zmanjša se utrujenost. Zato uporabnikom priporočamo premikanje naprave na ta način.



Slika 11

Izklop naprave

7. Ko končate z uporabo naprave, najprej odmontirajte krtačo/držalo blazinice (glejte korake v tem poglavju glede namestitve krtače/držala blazinice in odmontiranje)
8. Sprostite varnostno stikalo (1) in izklopite krtačo/držalo blazinice in elektromagnetni ventil.
9. Pritisnite stikalo vakuumske črpalke (42) v položaj "O" in vakuumska črpalka bo imela zamika 5 sekund, preden preneha delovati.
10. Pritisnite stikalo nadzora količine vodnega pretoka (44) v položaj "O" da popolnoma ugasnete delo elektromagnetnega ventila.
11. Pritisnite napajalno stikalo (41) v položaj "O".
12. Uporabite dvižno ročko čistilnika (14) za dvigovanje brisalca.
13. Primite krmilo (2) in nežno nagnite napravo nazaj, dokler se vodilno kolo (B) ne dotakne tal. Glej Slika 12.



Slika 12

ROKOVANJE Z NAPRAVO (BRISANJE INSUŠENJE)

1. Zaženite napravo glede na zgornji opis.
2. Držite varnostno stikalo (1) (glede na način, prikazan na Slika 11), pritisnite za premik naprave in začnite s čiščenjem.
3. Po potrebi izključite napravo in prilagodite regulacijsko ročko brisalca. (Glejte korake za prilagoditev ravnovesja brisalca)
4. Po potrebi izključite napravo in prilagodite količino vodnega pretoka z ročajem krogelnega ventila. (Glejte korake za prilagoditev količine vodnega pretoka.)

**PREVIDNO !**

V izogib poškodovanja tal, ugasnite stikalo za vklop (41), ko je naprava na enem mestu brez premikanja.

Praznjenje baterije med delovanjem

5. Samo, kadar zelena opozorilna lučka (38) neprestano sveti, potem je baterija dovolj napolnjena za normalno delovanje naprave.

**OPOMBA**

Ko vse štiri zelene lučke (38) svetijo, to kaže na polno napolnjenje baterije.

Ko sveti samo zadnja zelena lučka (38) in prične utripati, nakazuje na polnjenje baterije, ker bo naprava prenehala delovati samodejno po nekaj minutah.

Po tem, ko se zadnja zelena lučka (38) ugasne in prične utripati rdeča lučka (39 in 40), se bo naprava samodejno ustavila po nekaj sekundah. (Glejte korake v poglavju za vzdrževanje).

**PREVIDNO !**

Ne uporabljajte naprave, ko ni dovolj električne energije ali baterija ni dovolj napolnjena, da se izognete poškodovanju baterije in skrašanju njene življenjske dobe.

PRAZNIENJE REZERVOARJA

Ko je zbiralna posoda polna, bo plovec v samodejni plovni ugašujoči napravi (36) blokiral vhod, ki povezuje sesalno črpalko. Zaradi nenadnega povečanja hrupa sesalne črpalke lahko sklepate, da je le-ta že preobremenjena in je potrebna takojšnje drenaže odpadne vode.

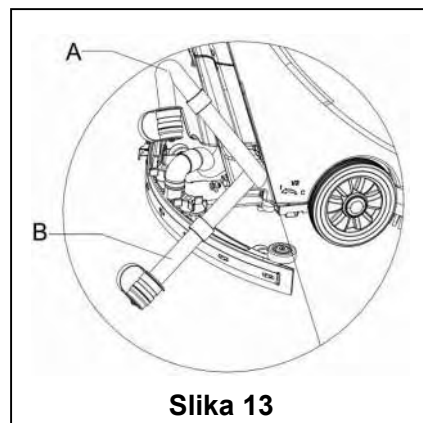
**PREVIDNO !**

Če je sesalna črpalka nenadoma ugasnjena (npr. zaradi tega, ker je naprava nenadoma premaknjena in se aktivira plovec) in če je potrebna obnovitev delovanja, prosimo izvedite naslednje korake: pritisnite napajalno stikalo (41 in 42) za izklop elektrike in sesalne črpalke in odprite pokrov zbiralne posode (25) ter preverite, če se je plovec v plovnem filtru vrnil na vodno površino. Nato zaprite pokrov zbiralne posode (25) in pritisnite napajalno stikalo (41 and 42) za vklop napajanja in sesalne črpalke.

Ko je zbiralna posoda popolnoma napolnjena z odpadno vodo, sledite naslednjim korakom, da jo popolnoma izsušite.

Praznjenje zbiralne posode

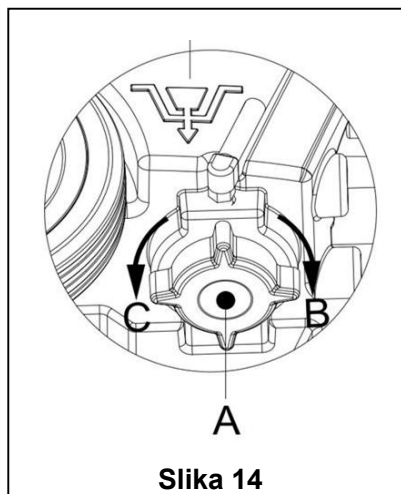
1. Izklop naprave
2. Uporabite ročko čistilnika (14) za dvigovanje brisalca.
3. Premaknite napravo na namenski odlagalni prostor.
4. Primite krmilo (2) in nežno nagnite napravo nazaj, dokler se vodilno kolo ne dotakne tal. (Za nagibanje naprave glejte procedure v poglavju ustavljanja naprave.)
5. Odstranite drenažno cev s fiksirne sponke, nagnite vrhnji konec drenažne cevi (kot je prikazano v **A, Slika 13**) in nato odprite pokrov drenažne cevi, spustite drenažno cev na nižji nivo ali na tla, za drenažo vode. Lahko tudi neposredno namestite drenažno cev na nižjo stopnjo na tla, da odtok vode vodi navzdol (kot je prikazano v **B, Slika 13**), in nato obrnete pokrov vodne drenaže, da odteče odpadna voda iz rezervoarja. Po končani drenaži uporabite čisto vodo za čiščenje notranjosti zbiralne posode.

**PREVIDNO !**

Ob drenaži odpadne vode mora biti sesalna cev za odpadke prepognjena ali nižana na nižjo pozicijo (kot prikazano na Sliki 13 A ali B) in nato odprite pokrov sesalne cevi za odpadke, da poteče drenaža vode. Ne obračajte izpust sesalne cevi za odpadke navzgor za drenažo vode vertikalno. S tem se izognemo polivanju vode na operaterja.

Praznjenje rezervoarja z raztopino

6. Izvedite korake 1 do 4.
7. Kot je prikazano na **Slika 14**, odprite pokrov rezervoarja raztopine (A) v nasprotni smeri urinega kazalca C in popolnoma izpraznite rezervoar z raztopino. S čisto vodo počistite notranjost rezervoarja z raztopino. Ko je delo končano, tesno zategnite pokrov rezervoarja z raztopino (A) v smeri urinega kazalca v smeri B.

**PO UPORABI NAPRAVE**

Ko je delo končano in preden zapustite napravo, dokončajte naslednje korake:

1. Sledite proceduri, kot opisano v prej omenjenem poglavju o namestitvi in demontaži krtače/držala blazinice in ju odstranite.
2. Sledite proceduram opisanim v sorodnih poglavjih, popolnoma izpraznite vodo v rezervoarju z raztopino in v zbiralni posodi.
3. Izpolnite dnevne vzdrževalne procedure (glejte poglavje vzdrževanja).
4. Shranite napravo, vključno s krtačo/držalom blazinice in brisalcem, na čistem in suhem mestu. Brisalec mora biti dvignjen in odstranjen.

OBDOBJA NEDELOVANJA

Če naprave ne uporabljate več kot 30 dni, ravnajte z njo na naslednji način:

1. Izpolnite nujne procedure, katerim sledite, ko je naprava v uporabi.
2. Izključite konektor (9), ki povezuje baterijo in napravo.
3. Da ne bi poškodovali baterije, in če naprava ni v uporabi več kot 3 mesece, prosimo napolnite baterijo vsake 3 mesece.

PRVA UPORABA

Po prvih 9 urah uporabe, prosimo preverite vse dele in se prepričajte, da ni nič razrahljano ali poškodovano med delovanjem in preverite, ali so vidni znaki poškodb ali iztekanja.

VZDRŽEVANJE IN NEGA

Servisno življenje in največja delovna varnost naprave je omogočena s pravilnimi in pravočasnimi vzdrževalnimi deli in nego.

Naslednja tabela prikazuje splošni vzdrževalni plan za napravo. Časovni intervali vzdrževanja v veliki meri določeni z delovnimi pogoji naprave. Te časovne intervale mora oblikovati osebje, odgovorno za vzdrževanje.

**OPOZORILO !**

Te procedure opravljajte samo, ko je naprava izključena in je povezava med napravo in baterijo prekinjena. Preden nadaljujete s katero koli vzdrževalno proceduro, prosimo previdno preučite sorodna varnostna poglavja.

Vsa načrtovana vzdrževalna dela ali dodatno vzdrževanje, mora opraviti usposobljeno osebje ali pooblaščen sevisni centri.

Ta priročnik se nanaša samo na preproste in najbolj pogoste vzdrževalne procedure.

Za druge vzdrževalne procedure, kot so tiste opisane v tej tabeli načrtovanega vzdrževanja, prosimo glejte priročnik za vzdrževanje servisnega centra.

TABELA NAČRTOVANIH VZDRŽEVANIH DEL

Procedura	Dnevno, Naprava po uporabi	Tedensko	Vsaki 6 mesecev	Letno
Polnjenje baterije				
Čiščenje brisalca				
Čiščenje krtače / držala blazinice				
Počistite vodni rezervoar in plovni filter, preglejte tesnilne trakove vodnega rezervoarja				
Preglejte in zamenjajte trak brisalca				
Počistite filter raztopine				
Očistite filter sesalne črpalke				
Preglejte tekočinski nivo WET baterije				
Preglejte zatesnjenost matic in vijakov			(1)	
Preglejte ali zamenjajte ogljikovo krtačo motorja ali krtačo/držalo blazinice				(2)
Preglejte ali zamenjajte ogljikovo krtačo sesalne črpalke				(2)

(1) Potrebno je to narediti 9 ur po začetku delovanja naprave.

(2) Te vzdrževalne procedure mora opraviti pooblaščen VIPER servisni center.

POLNJENJE BATERIJE**OPOMBA**

Baterijo je potrebno napolniti, ko se prižge oranžna ali rdeča opozorilna luč, ali vsakič, ko je delo opravljeno.

**PREVIDNO !**

Imejte baterijo popolnoma napolnjeno in ji s tem podaljšajte servisno življenje.

**PREVIDNO !**

Ko moč baterije postane šibka, jo je treba čim prej napolniti. Prosimo, preverite polnilec vsaj enkrat na teden.

**PREVIDNO !**

Če vgrajeni polnilnik ni prisoten, izberite primeren zunanji polnilec za polnjenje baterije.

**OPOZORILO !**

Posebej je potrebno paziti pri polnjenju baterije, ker lahko pride do iztekanja kisline med procesom polnjenja. Kislina baterije je korozivna. Če slučajno pride v kopntakt z očesom ali kožo, prosimo izperite z veliko količino vode in obiščite zdravnika.

1. Odprite pokrov zbiralne posode (25) in preverite, ali je le-ta prazen ali ne. Če ni, potem jo izpraznite s pomočjo drenažne cevi. (15).
2. Premaknite napravo na namenski polnilni prostor.
3. Pritisnite napajalno stikalo (41) v položaj "O" za ugasnitev naprave.
4. Velja samo za WET baterijo z vodnim dodatkom
 - Preverite nivo elektrolitov v bateriji. Po potrebi jo napolnite skozi pokrov.
 - Vsi pokrovi naj bodo odprti.
 - Po potrebi očistite zgornjo površino baterije.
5. Izberite eno izmed naslednjih procedur za polnjenje baterije glede na model uporabljene baterije.

Za polnjenje baterije z zunanjim polnilnikom

6. Preverite, glede na sorodni priročnik, če je zunanji polnilnik primeren. Izhodna voltaža mora biti DC 24V.
7. Priključite konektor baterije na zunanji konektor in tega na električno omrežje.
8. Ko je polnjenje zaključeno, priključite polnilni konektor baterije na napravo.

Polnjenje baterije z vgrajenim polnilnikom (izbirno)

9. Snamite gumijasti pokrov na koncu baterijskega polnilnega konektorja.
10. Priključite konec konektorja baterijskega polnilca z električnim omrežjem s polnilno povezljivo žico. (Prosimo upoštevajte, da vhodna voltaža vgrajenega polnilnika 220V – 240V in izhodna voltaža 24V ter frekvenca ustrezajo zahtevam.) Ko je polnilec povezan z električnim omrežjem, so vse druge funkcije samodejno izključene. Če še naprej sveti rdeča opozorilna lučka na vgrajenem polnilcu, pomeni da polnilec polni baterijo.
11. Ko sveti zelena opozorilna lučka (47), pomeni, da je proces polnjenja baterije zaključen.
12. Ko je polnjenje končano, snamite povezljivo žico s konca konektorja, ki polni baterijo, in z napajanja, ter natakните gumijast pokrov.
13. Odklopite polnilno žico z napajanja in navijte žico na kolut (6).

**OPOMBA**

Če potrebujete več informacij glede vgrajenega polnilca (35), glejte ustrezen priročnik.

ČIŠČENJE BRISALCA**OPOMBA**

Za ohranitev optimalnega učinka vodnega sesalca mora brisalec biti čist in trak brisalca mora biti v dobrem stanju.

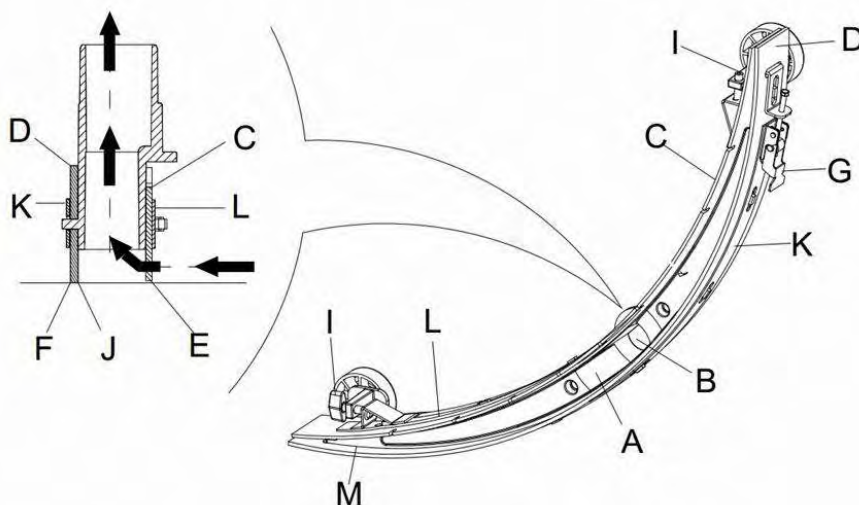
**POZOR !**

Pri čiščenju brisalca si je priporočljivo nadeti zaščitne rokavice, ker lahko brisalec vsebuje ostre delce.

1. Premaknite napravo na ravno in gladko podlago.
2. Pritisnite napajalno stikalo (41) v položaj "O" za ugasnitev naprave.
3. Odvijte pritrjeno ročko (16) brisalca; snamite konektor, ki povezuje zbiralno sesalno cev brisalca in ga snamite.
4. Uporabite dvižno ročko čistilnika (14) za dvigovanje podpornega okvirja brisalca.
5. Očistite brisalec (**Slika 15**). Še posebej počistite utor (**A, Slika 15**) in umazanijo ter delce na sesalni cevi. Preverite, ali sta prednje rezilo brisalca (C) in zadnje rezilo brisalca (D) nedotaknjena in ali so odlomljeni robovi ali razpoke. Po potrebi jih zamenjajte (glejte korake v naslednjih poglavjih).
6. Ponovno namestite brisalec v obratnem vrstnem redu od zgornjega.

PREVERJANJE REZILA BRISALCA IN NJEGOVA ZAMENJAVA

1. Sledite metodam v prejšnjih poglavjih in očistite brisalec (**Slika 15**)
2. Preverite rob (**E, Slika 15**) prednjega rezila brisalca in rob (F) zadnjega rezila brisalca (D). Na celotni dolžini bi morali biti na istem nivoju. Drugače prilagodite višine s pomočjo naslednje procedure.
 - Razrahljajte zaponko (G) in ločite zadnje rezilo brisalca (D) od nosilca (M) za prilagoditev položaja brisalca. Po prilagoditvi ponovno zaklenite zaponko.
 - Razrahljajte vijak na ročki (I) za prilagoditev prednjega rezila brisalca (C); zategnite ročni vijak po prilagoditvi.
3. Preverite, ali sta prednje rezilo brisalca (C) in zadnje rezilo brisalca (D) nedotaknjena in ali so odlomljeni robovi ali razpoke. Po potrebi ju zamenjajte na naslednje načine. Preverite, ali prednji rob zadnjega rezila brisalca (J) ni obrabljen. Če je, potem ga lahko namestite navzdol (zgornji rob mora ostati nedotaknjen). Če je tudi zgornji rob obrabljen, ga spremenite s pomočjo spodnje procedure:
 - Razrahljajte zaponko (G) in sprostite pritisk rezila od nosilca (M), odstranite ploščico nosilca (K) in nato zamenjate ali obrnete zadnje rezilo brisalca (D) navzdol. Ponovno namestite zadnje rezilo brisalca v obratnem vrstnem redu, kot ste ga odstranili.
 - Zrahljajte vijak ročice (I) in odstranite prednjo tablico zaponke (L), nato zamenjajte prednji brisalec (C).
Ponovno namestite prednje rezilo brisalca v obratnem vrstnem redu, kot ste ga odstranili.
Po zamenjavi rezila brisalca (ali namestitvi navzdol), prilagodite nivo prednjih in zadnjih rezil brisalca s proceduro, ki je opisana spodaj.
4. Priključite sesalno cev (11) na brisalec.
5. Namestite brisalec in uporabite gumb (16) za zategnitev, nato priključite sesalno cev na brisalec.
6. Po potrebi prilagodite brisalec s pomočjo prilagoditvenega koleščka (20) (glejte procedure za prilagajanje ravnovesja brisalca).



Slika 15

ČIŠČENJE KRTAČE/POLIRNE BLAZINICE



PREVIDNO !

Ko čistite krtačo/držalo blazinice, je priporočljivo nositi zaščitne rokavice, ker lahko naletite na ostre delce.

1. Tako kot je opisano v prejšnjih poglavjih, snamite krtačo/držalo blazinice.
2. S pomočjo vode in detergentov očistite krtačo/držalo blazinice.
3. Preverite celovitost in ponošenost ščetin na krtači in po potrebi krtačo zamenjajte.
4. Preverite ponošenost nosilca blazinice in ga po potrebi zamenjajte.

ČIŠČENJE VODNEGA REZERVOARJA IN MREŽICE PLOVNEGA FILTRA

1. Premaknite napravo na namenski odlagalni prostor.
2. Pritisnite napajalno stikalo (41) v položaj "O" za ugasnitev naprave.
3. Odprite pokrov zbiralne posode (A, Slika 16) in odstranite plavajočo napravo (36) iz zbiralne posode.
4. S pomočjo čiste vode očistite pokrov zbiralne posode (A), posodo (B in C) in podporni okvir plovnega filtra (E). Preko rezervne cevi (15) odvajajte vso vodo z vodnega rezervoarja.
5. Po potrebi, sledite simbolom "Open" in "Close" kot je prikazano na Slika 16, odprite spodnji pokrov (F) plovnega filtra in počistite plovec (D), podporni okvir plovnega filtra (E) in gobico filtra (I). Po čiščenju pritrдите plovec na podporni okvir plovnega filtra (E), nato poravnajte označen utor (L) spodnjega pokrova (F) plovnega filtra z označenim utorom (L) podpornega okvira plovnega filtra (E). Testno privijte spodnji pokrov (F) plovnega filtra, pritrдите gobico filtra (I) na podporni okvir plovnega filtra (E) in nato še na sesalno cev (M).
6. Preverite zvočnost tesnilnega obroča (G) pokrova vodnega rezervoarja.

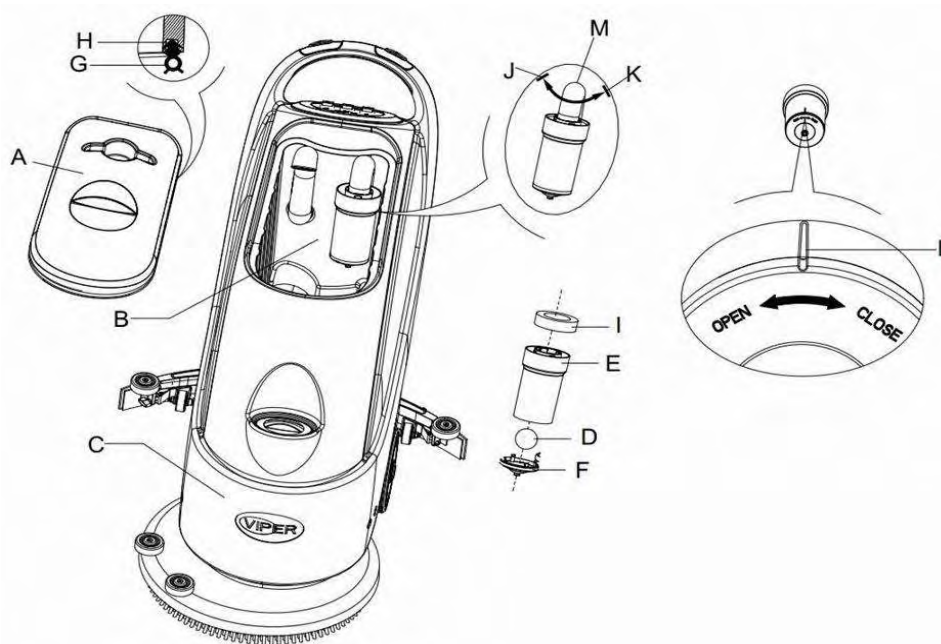


OPOMBA

Tesnilni trak (G) vodnega rezervoarja povzroča vakuum v vodnem rezervoarju. Mora biti popolnoma zatesnjen, da lahko učinkovito sesa odpadno vodo s tal.

Po potrebi lahko tesnilni trak vodnega rezervoarja (G) vzamete iz utora (H) in ga zamenjate. Pri sestavljanju novega tesnilnega traku vodnega rezervoarja, kot je prikazano na Slika 16 spodaj, namestite konektor na srednji del zadnjega dela.

7. Preverite, če je prejemna površina tesnilnega traku (G) nedotaknjena in dovolj tesni.
8. Zaprite pokrov zbiralne posode (A).



Slika 16

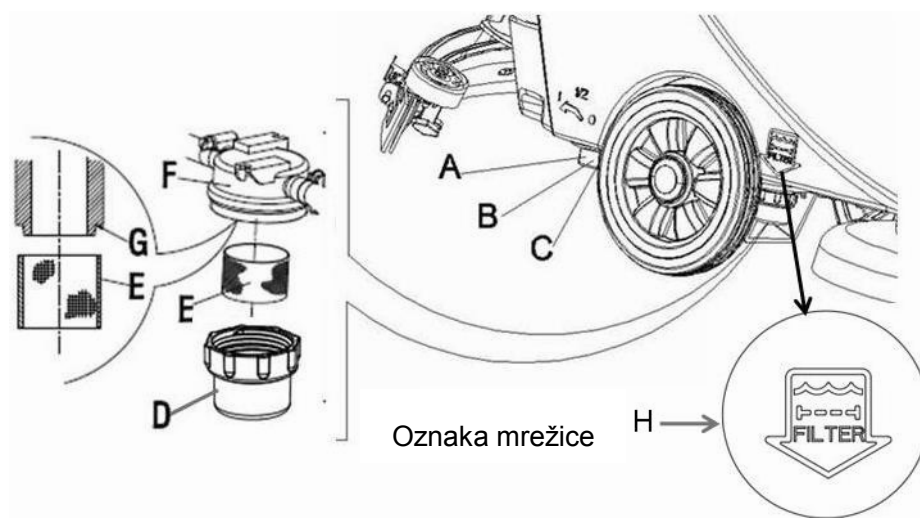
ČIŠČENJE FILTRA RAZTOPINE

1. Izpustite vso vodo iz rezervoarja raztopine, kot je predstavljeno v sorodnih poglavjih.
2. Premaknite napravo na ravno in gladko podlago.
3. Pritisnite napajalno stikalo (41) v položaj "O" za ugasnitev naprave.
4. Ugasnite odvajalni krogelni ventil (**A, Slika 17**) (nahaja se na dnu naprave, za kolesi). Položaj B kroglični ventil odprt, položaj C kroglični ventil zaprt.
5. Odstranite prozorni pokrov (D) in nato vzamite ven filter (E), potem ju namestite na škatlo filtra (F) po čiščenju.

**OPOMBA**

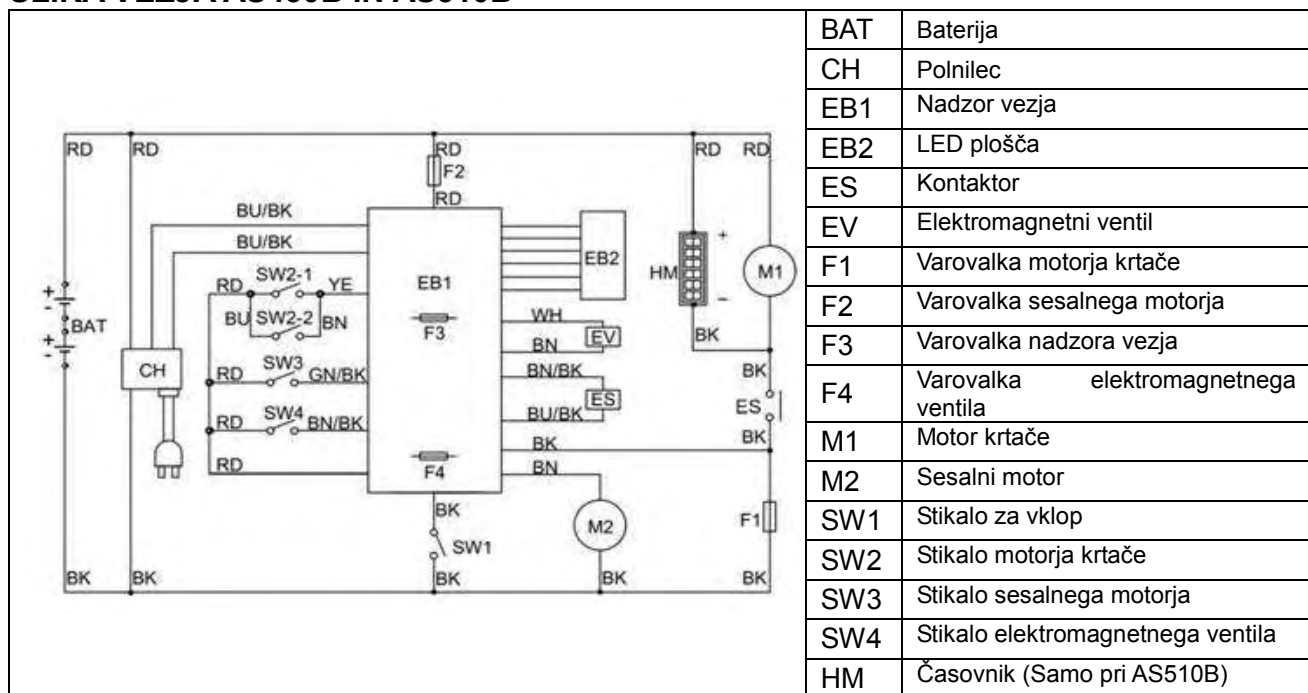
Filter (E) mora biti točno nameščen na položaj projekcije (G).

6. Odprite odvajalni krogelni ventil (A).



Slika 17

SLIKA VEZJA AS430B IN AS510B



BARVNE KODE

RD=Rdeča	BN=Rjava	BU/BK=Modra/Črna
BU=Modra	YE=Rumena	GN/BK=Zelena/Črna
BK=Črna	WH=Bela	BN/BK=Rjava/Črna

ODPRAVLJANJE TEŽAV

Okvara	Možni vzroki	Protiukrepi
Naprava ne deluje: Indikacijska lučka ne sveti	Konektor baterije (9) ni priključen.	Priključite konektor baterije
	Moč baterije je že izrabljena	Polnjenje baterije
Utripanje opozorilne lučke (39 in 40)	Preobremenjenost motorja krtače	Preklopite na mehko krtačo, da se prilagodite čiščenju tal
	Druge zadeve zagozdijo vrtenje krtače	Zbršite krtačo
Krtača ne deluje	Varovalka krtače je odpeta	Ponastavi
	Dršenje jermena	Preverite jermen, prilagodite tesnost škripca
Sesalni motor ne deluje	Varovalka sesalca je odpeta	Ponastavi
Nezadostno sesanje	Rezervoar z odpadno vodo je poln.	Izpraznite vodni rezervoar
	Sesalna cev za odpad in brisalec nista pravilno priključena	Priključite sesalno cev za odpad in brisalec
	Plovni filter je zablokiran ali je vhod zablokiran	Počistite plovni filter, preverite plovno kroglico
	Brisalec je umazan ali je rezilo brisalca izrabljeno in poškodovano	Očistite in preverite brisalec
	Pokrov zbiralne posode ni pravilno priključen ali je tesnilni trak vodnega rezervoarja poškodovan	Ponovno pravilno namestite pokrov ali zamenjajte tesnilni trak vodnega rezervoarja
Nezadostna količina čiste vode do krtače	Umazan filter.	Očistite filter.
Brisalec pušča sledi	Ostri delci pod rezilom brisalca	Odstranite delce
	Rezilo brisalca je že izrabljeno, razpokano, krhko.	Zamenjajte rezilo brisalca.
	Ravnovesje brisalca ni prilagojeno	Prilagodite ravnovesje

**OPOMBA**

Če je naprava nameščena z izbirnim vgrajenim polnilnikom, in ko je ta v okvari, z napravo ne morete rokovati.

Če je vgrajeni polnilnik v okvari, prosimo kontaktirajte pooblaščen vzdrževalni center.

Za več informacij prosimo glejte vzdrževalni priročnik (na voljo v katerem koli VIPER vzdrževalnem centru)

ODSTRANITEV NAPRAVE

Uporabite ustrezno mečkalno napravo za uničenje te naprave.

Preden uničite to napravo, prosimo odstranite in ločite naslednje materiale, ki morajo biti glede na zakone in predpise, ustrezno procesirani.

- Baterija
- Krtača / držalo blazinice
- Plastične cevi in plastične komponente
- Električne in elektronske komponente (*)

(*): Prosimo kontaktirajte najbližji VIPER center (posebej, ko je zahtevano uničenje električnih in elektronskih komponent).

INDHOLDSFORTEGNELSE

INTRODUKTION	295
INDHOLDET I DENNE MANUAL	295
FORMÅL	295
RESERVEDELE OG VEDLIGEHOLDELSE	295
ÆNDRINGER OG FORBEDRINGER	295
ANVENDELSESFORMÅL	295
IDENTIFIKATIONSDATA	295
UDPAKNING/TRANSPORT	295
GENERELLE SIKKERHEDSOPYSNINGER	296
TEKNISKE DATA	297
BESKRIVELSE AF MASKINEN	297
MASKINENS STRUKTUR	297
FIGURER AF MASKINENS STRUKTUR	298
KONTROLPANEL	298
DISPLAYVINDUE PÅ OPLADERINDIKATIONSLYS	299
BRUGSGUIDE	299
INSTALLERING OG INDSÆTNING AF BATTERIER I DEN NYE MASKINE	299
INSTALLATION AF BATTERIER OG INDSTILLING AF BATTERITYPE (WET ELLER GEL/AGM)	300
FØR START AF MASKINEN	301
INSTALLERING OG AFTAGEN AF BØRSTE-/PUDEHOLDER	301
JUSTERING AF GUMMISKRABERENS BALANCE	302
REGULERING AF MÆNGDEN AF VANDSTRØM	302
START OG STOP AF MASKINEN	302
DRIFT AF MASKINEN (RENGØRING OG TØRRING)	303
TØMNING AF TANK	304
EFTER BRUG AF MASKINEN	304
PERIODER MED INAKTIVITET	305
BRUG FOR FØRSTE GANG	305
VEDLIGEHOLDELSE OG PLEJE	305
TABEL FOR PLANLAGT VEDLIGEHOLDELSE	306
OPLADNING AF BATTERI	306
RENGØRING AF GUMMISKRABER	307
KONTROL OG UDSKIFTNING AF GUMMISKRABER	307
RENGØRING AF BØRSTE/POLERINGSPUDE	308
RENGØRING AF VANDTANK OG FLYDEFILTERNET	308
RENGØRING AF OPLØSNINGSFILTER	309
KREDSLØBSFIGUR FOR AS430B OG AS510B	310
FEJLFINDING	311
BORTSKAFFELSE AF MASKINEN	311

INTRODUKTION



BEMÆRK

The numbers in brackets refer to the related components shown in Machine Description section.

INDHOLDET I DENNE MANUAL

Formålet med denne manual er at give operatøren alle nødvendige oplysninger om maskinen til at bruge den korrekt, på en sikker og selvstændig måde. Den indeholder oplysninger om tekniske data, sikkerhed, drift, opbevaring, vedligeholdelse, reservedele og bortskaffelse. Inden der udføres en procedure på maskinen, skal operatører og kvalificeret teknikere læse denne vejledning omhyggeligt. Kontakt VIPER i tilfælde af tvivl om fortolkningen af disse instruktioner, og for yderligere oplysninger.

FORMÅL

Denne manual henvender sig til operatører og teknikere kvalificeret til at udføre vedligeholdelse af maskinen.

Operatørerne må ikke udføre procedurer forbeholdt kvalificerede teknikere. VIPER vil ikke være ansvarlig for skader, der kommer fra den manglende overholdelse af dette forbud.

RESERVEDELE OG VEDLIGEHOLDELSE

Alle nødvendige drifts-, vedligeholdelses- og reparationsprocedurer skal udføres af kvalificeret personale eller af VIPER servicecentre.

Kun originale reservedele og tilbehør må anvendes.

Kontakt VIPER for service eller for at bestille reservedele og tilbehør, med angivelse af maskinens model og serienummer.

ÆNDRINGER OG FORBEDRINGER

VIPER forbedrer konstant sine produkter og forbeholder sig ret til at foretage ændringer og forbedringer på eget skøn, uden at være forpligtet til at inkludere sådanne fordele på maskiner, der tidligere blev solgt. Enhver ændring og / eller tilføjelse af tilbehør skal godkendes og udføres af VIPER

ANVENDELSESFORMÅL

Denne rengøringsmaskine er beregnet til brug i private og kommercielle miljøer, og kan bruges til at rengøre glatte og hårde gulve (skrubbe, vaske og opsamling af beskidt vand). Den skal bruges af kvalificerede operatører i sikre miljøer. Denne rengøringsmaskine må ikke anvendes udenfor, til gulvtæppe- og tæpperengøring, samt på ru overflader.

IDENTIFIKATIONSDATA

Maskinens model og serienummer er markeret på pladen (4).

Denne information er nyttig, når reservedele kræves til maskinen. Brug følgende tabel til at nedskrive maskinens identifikationsdata.

MASKINENS model.....
MASKINENS serienummer.....

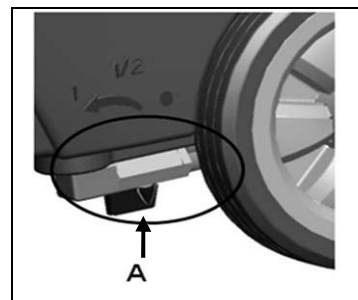
UDPAKNING/TRANSPORT

For at pakke maskinen omhyggeligt ud, skal du følge vejledningen på emballagen.

Når maskinen leveres, skal du kontrollere, at emballagen og maskinen ikke er blevet beskadiget under transporten. I tilfælde af synlige skader, behold pakning og kontroller med fragtfirma, der leverede den. Ring straks til fragtfirmaet for at indsende en skadeserklæring.

– FORSIGTIG

Ved udpakning og losning, eller under maskinen flyttes på tværs af jorden med trin, skal du sørge for at undgå at ramme on / off kontakt regulerer vandstrømmen, del A i figuren til højre.



Kontroller om maskinen er udstyret med følgende elementer:

1. Tekniske dokumenter

13. Brugermanual til skrubbemaskine
14. Manual til indbygget oplader (hvis inkluderet)
2. Stik til oplader (hvis maskinen ikke er udstyret med indbygget oplader, findes dette på den angivne eksterne oplader)

GENERELLE SIKKERHEDSOPLYSNINGER

Det følgende er specielle ADVARSLER og oplysninger om potentielle skader (på personer eller maskinen):



ADVARSEL!

5. Maskinen må kun betjenes under vejledning af denne manual. Kun tilbehør godkendt af VIPER skal anvendes.
6. Denne maskine må kun anvendes af behørigt uddannet eller autoriseret personale. Børn eller uhensigtsmæssige personer må ikke bruge denne maskine.
7. Under normal brug, kan batteriet afgive brandfarlige gasser. Batteriet skal holdes væk fra udstrålende, lysende og brændende poster samt gnister. Når maskinen er i brug, skal du sikre, at miljøet er godt ventileret og er væk fra åben ild. Ved opladning, skal du ikke ryge i nærheden af maskinen.
8. Du skal frakoble batteriet før udførelsen af enhver vedligeholdelse/reparationer.
9. Før du bruger den indbyggede lader, skal du sikre, at værdierne for spænding og frekvens som angivet på serienummeret mærkat matcher de af lysnettet.
10. Når du arbejder i nærheden af elektriske dele, skal du ikke bære nogen smykker. Venligst tage alle forholdsregler for at undgå hår, smykker og løstsiddende tøj fra at blive fanget af bevægelige dele i maskinen.
11. Brug ikke maskinen i særligt snavsede områder. Vask ikke maskinen direkte med vand. Lad ikke maskinen komme i kontakt med ætsende væsker.
12. Temperaturen til opbevaring og til arbejdsmiljø af maskinen skal være mellem 0 - 40°C.
13. Luffugtigheden skal være mellem 30 % - 105 %.
14. Brug ikke maskinen på en skråning med en hældning på mere end 2 %.
15. I tilfælde af brand, skal du bruge tørre pulverbrandslukker. Brug ikke flydende brandslukker.
16. Særlig opmærksomhed skal betales, når maskinen transporteres under 0°C. Vandtanken og vandet i slangerne kan fryse og forårsage alvorlige skader på maskinen.
17. Brug børster og puder der leveres med maskinen, og dem, der er angivet i brugermanualen. Brug af andre børster eller puder kan reducere sikkerheden.
18. I tilfælde af funktionsfejl skal du sørge for, at det ikke er forårsaget af manglende vedligeholdelse. Hvis det er forårsaget af andre forhold, skal du søge bistand fra autoriseret personale eller servicecentret.
19. Hvis det bekræftes, at reservedele skal udskiftes, skal du sikre de originale dele fra autoriserede forhandlere eller agenter.
20. For at sikre en sikker og korrekt betjening af maskinen, så lad autoriseret personale eller servicecentret udføre den planlagte vedligeholdelse i henhold til vedligeholdelsesplaner i de relaterede afsnit i manualen..
21. Denne maskine skal bortskaffes korrekt, fordi der kan forekomme giftige og farlige anliggender (batterier, osv.), og disse spørgsmål skal bortskaffes ved særlige centre i overensstemmelse med beslægtede love og bestemmelser (se afsnit bortskaffelse maskine).

TEKNISKE DATA

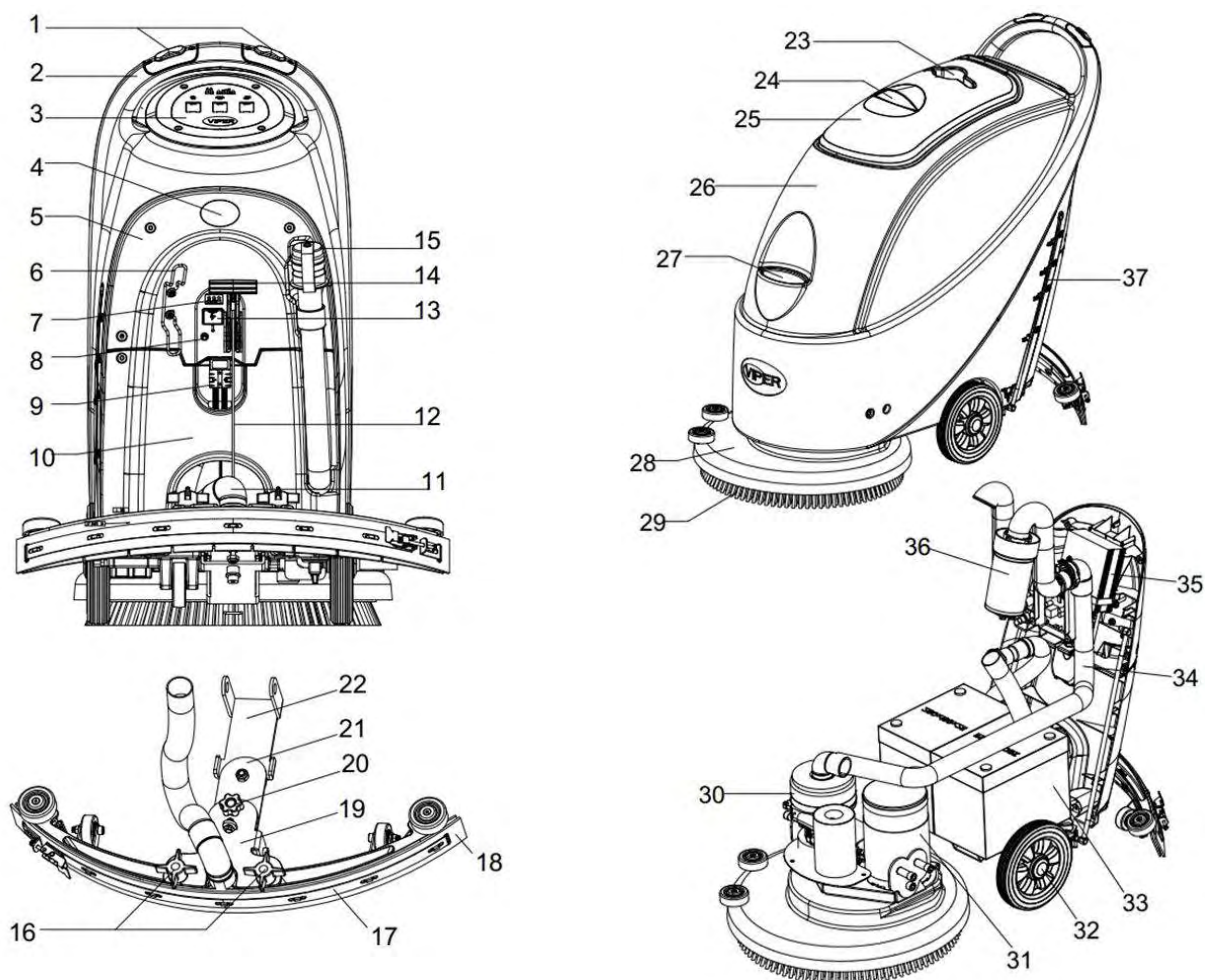
Model	AS430B	AS510B
Maskinens højde	980mm	
Opløsningstankens kapacitet	40 liter	
Opsamlingstankens kapacitet	40 liter	
Diameter på transporthjul	200 mm	
Diameter på guidehjul	76 mm	
Effekt af vakuumsystemmotor	350 w	
Maksimal stigning, under arbejder	2 % (Maks)	
Lydtryksniveau ved arbejdsstation	70 dB(A) ±3 dB(A)	
Standard batterier	(2×12 V) 24 V 85 Ah AGM	(2×12 V) 24 V 105 Ah AGM
Batterirummets størrelse (B x L x H)	340 x 330 x 260 mm (Maks)	
Vakuumsystemkredsløb kapacitet	1200 mm H ₂ O	
Rengøringsbredde	430 mm	510 mm
Gummiskrabers bredde	730 mm	790 mm
Maskinens maksimale længde	1060 mm	1100 mm
Maskinens længde uden gummiskraber	480 mm	540 mm
Børstens diameter	430 mm	510 mm
Vægt med batterier og med tomt tanke	112 kg	128 kg
Bruttovægt af maskinen når den er klar til brug	152 kg	168 kg
Børstens motoreffekt	550 W	560 W
Børstens hastighed	150 rpm	
Børste-/pudeholders maksimale tryk	30 kg (Maks)	35 kg (Maks)
Pakkens størrelse (Lx B x H)	1200 x 610 x 1170 mm	

BESKRIVELSE AF MASKINEN**MASKINENS STRUKTUR**

- | | |
|---|--|
| 1. Sikkerhedsknap | 20. Gummiskraberens justeringshåndhjul |
| 2. Håndtag | 21. Gummiskraberens bagerste støtteramme |
| 3. Kontrolpanel | 22. Gummiskraberens forreste støtteramme |
| 4. Serienummerplade/Tekniske data/Overenstemmelseserklæring | 23. Kopholder |
| 5. Kontroldekke | 24. Opsamlingstankens dækhåndtag |
| 6. Kabelholder (*) | 25. Opsamlingstankens dække |
| 7. Indikatorlys for batteriskift | 26. Tankens krop |
| 8. Nulstillingsknap | 27. Dække til vandindtag |
| 9. Batteriforbinder | 28. Børstedæk |
| 10. Batteridække | 29. Børste-/pudeholder |
| 11. Vakuumslange til affald | 30. Vakuumsystemets motor |
| 12. Gummiskraberens ledning | 31. Børstemotor |
| 13. Sikkerhedsdække på batteriforbinder | 32. 8" hjul |
| 14. Gummiskraberens løftehåndtag | 33. Batteri |
| 15. Dræningsslange | 34. Vakuumslange |
| 16. Gummiskraberens håndtag | 35. Oplader (*) |
| 17. Gummiskraberens klip | 36. Flydefilter |
| 18. Gummiskraberens blad | 37. Vandniveauslange (til at indikere mængden af vand i opløsningstanken) |
| 19. Gummiskraberens støtteramme | |

(*)gælder kun for maskiner, der allerede har indbygget oplader (valgfri)

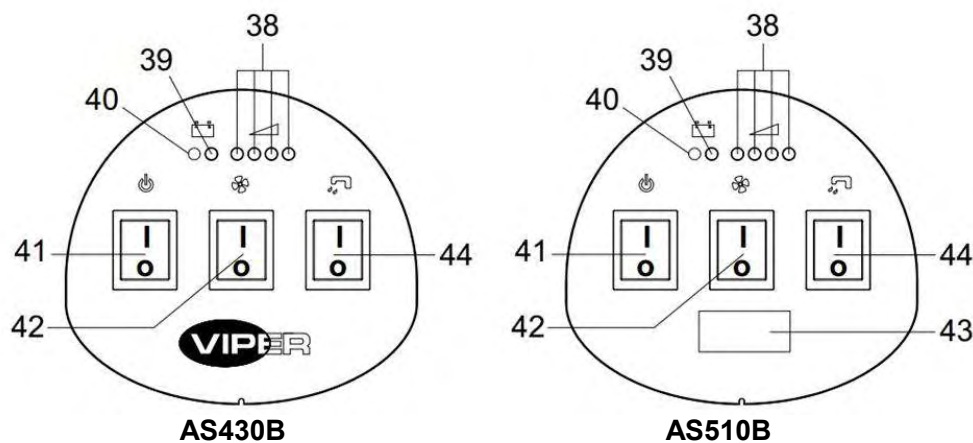
FIGURER AF MASKINENS STRUKTUR



Figur 1

KONTROLPANEL (Figur 2)

- 38. Indikatorlys for batteriopladning (grøn når fuldt opladet)
- 39. Indikatorlys for udkørt batteri (rød)
- 40. Indikatorlys for udkørt batteri (rød)
- 41. Strømknop
- 42. Vakuumnknop
- 43. Timer (valgfri, bruges til at optage børsten arbejdstid)
- 44. Magnetventil knap til kontrol af vandspray

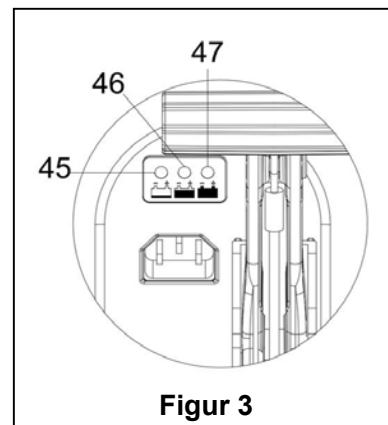


Figur 2

DISPLAYVINDUE PÅ OPLADERINDIKATIONSLYS (Figur 3)

(Valgfrit, gælder for maskiner, der har indbygget oplader)

1. Når opladningen starter, blinker den røde indikatorlampe på opladeren (45) et par gange og derefter bliver den til en permanent rød indikatorlampe, der indikerer at første fase af opladning er begyndt;
2. Efter opladning i en periode, vil den røde indikatorlampe af opladeren (45) gå ud, en gul indikatorlampe (46) lyser permanent: og indikerer at anden fase af opladningen er begyndt;
3. Efter opladning i ca. 10 timer, vil den gule indikatorlampe (46) slukke, (47) Den grønne indikatorlampe vil blive permanent tændt, hvilket indikerer, at opladningen er komplet og opladningen er afsluttet.



Figur 3

BEMÆRK



- 1) Under opladning Hvis den gule indikator blinker: batteriet er ikke af en type, kompatibel med opladeren eller batteriet er ikke tilsluttet korrekt, eller en kortslutning har fundet sted på udgangsterminalen.
- 2) Hvis den røde indikator blinker: en kortslutning inde i opladeren. (For detaljer henvises til de relaterede afsnit i opladerens instruktioner.)

BRUGSGUIDE

ADVARSEL

På visse dele af maskinen er indsat nogle vejledende skilte:

- FARE
- ADVARSEL
- FORSIGTIG
- KONSULTATION



Når du læser denne manual, skal operatøren betale særlige opmærksomhed til symbolerne på disse tegn. Under ingen omstændigheder disse tegn være omfattet. Hvis de er beskadiget, skal du udskifte dem med det samme.

INSTALLERING OG INDSÆTNING AF BATTERIER I DEN NYE MASKINE

ADVARSEL

Hvis batteriet forkert installeret eller unøjagtigt tilsluttet, kan de elektriske komponenter i maskinen blive alvorligt beskadiget. Batteriet må kun installeres af kvalificeret personale. Ifølge batteriets modelnummer (WET eller GEL), der anvendes, indstilles den funktionelle kredsløb og den indbyggede lader (valgfri).



**Kontroller, om batteriet er beskadiget, før du installerer.
Afbryd batteriets stik og den indbyggede oplader stik.
Vær forsigtig, når du rører ved batteriet.**

Denne maskine har brug for to (2) 12V-batterier. Opret forbindelse som vist i figur 4 til højre.

Denne maskine kan levere en hvilken som helst af følgende modeller:

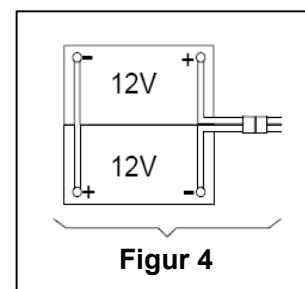
a) Batterier (WET eller GEL / AGM) er allerede installeret og kan bruges til enhver tid.

1. Kontroller batteriet. Igennem forbindelsesleddet (9) forbinder batteriet til maskinen.
2. (Gælder kun for AS430B og AS510B): Tryk ned på tænd / sluk-kontakten (41). Hvis det grønne lys er tændt, det viser, at batteriet er klar til brug.

Hvis den gule eller røde lys er tændt, det viser, at batteriet skal oplades. (Der henvises til afsnittet om vedligeholdelse af relaterede procedurer).

b) Uden batterier

1. Køb lignende batteri (se afsnittet om tekniske parametre). Oplysninger om valg af batteri kan fås fra kvalificerede batteri agenter.



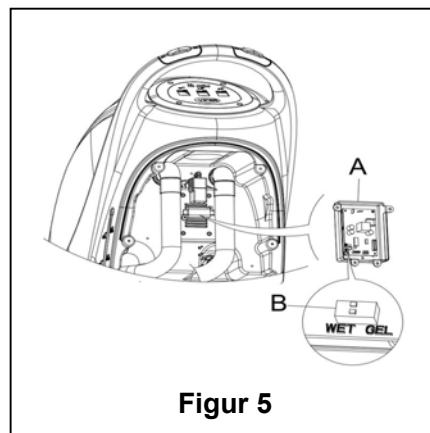
Figur 4

- Indstil maskinen og den indbyggede lader (hvis monteret) i henhold til den type batterier (WET eller GEL / AGM). Læs også følgende stykke for den måde at installere batteriet.

INSTALLATION AF BATTERIER OG INDSTILLING AF BATTERITYPE (WET ELLER GEL/AGM)

Ifølge batteritype (WET eller GEL / AGM) indstilles det elektriske kredsløb på den indbyggede oplader. Procedureerne er som følger:

- Sørg for, at stikket på batteriet er frakoblet. Hvis maskinen er baseret på "AGM" batteri på tidspunktet for ab fabrik, gå direkte til trin 8; ellers komplet trin 2, 3 og 4.
- Tag dræning slange (15)
- Hvis udstyret med indbygget lader, skal du tage afgiften ledning fra spolen.
- Tag kontrol dækslet (5) og skruerne på batteridækslet (10). Fjern skruerne på printet standen. DIP-switchen (B) til indstilling af batteriet modellen kan ses, når spejlvende over PCB bord. (Se figur 5)
- Juster micro DIP-switch (B) til position "våd".
- Fuldfør trin 3, 4 og 5 i omvendt rækkefølge.



Figur 5

Installations af batteriet

- Træk batteristikket ud (9).
- Åbn opsamlingsstankens dække (25), og se om opsamlingsstanken er tom eller ej; Hvis ikke, tøm den gennem afløbsslangen (15).
- Skru gummiskraber fast med håndtaget (16), fjern forbinderslange til vakuum til affald (11) til skraber, og fjern derefter skrabereren.
- Skru skruerne på batteridækslet (10) og fjern dækslet.
- Skru stikket på sugefod tegning ledningen (12), der forbinder til den sugefod beslag (19), og hæng den sugefod tegning ledningen opad.
- Hæng afløbsslange (15) og vakuumrøret for affald (11) opad.
- Ifølge størrelsen af batteriet, skubbe fikseringsbord i batterikassen hele vejen indad.

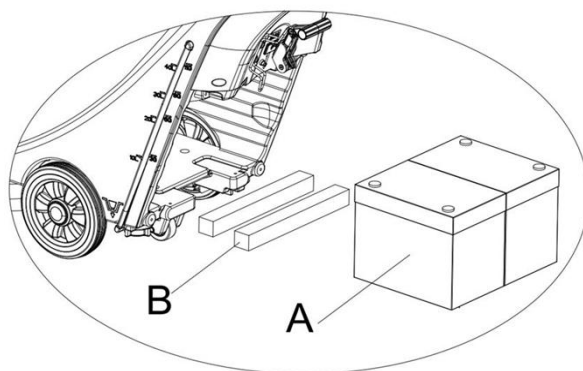


BEMÆRK

Dimensionen af batteriet må ikke overstige: H x B x H: 330 mm x 170 mm x 260 mm.

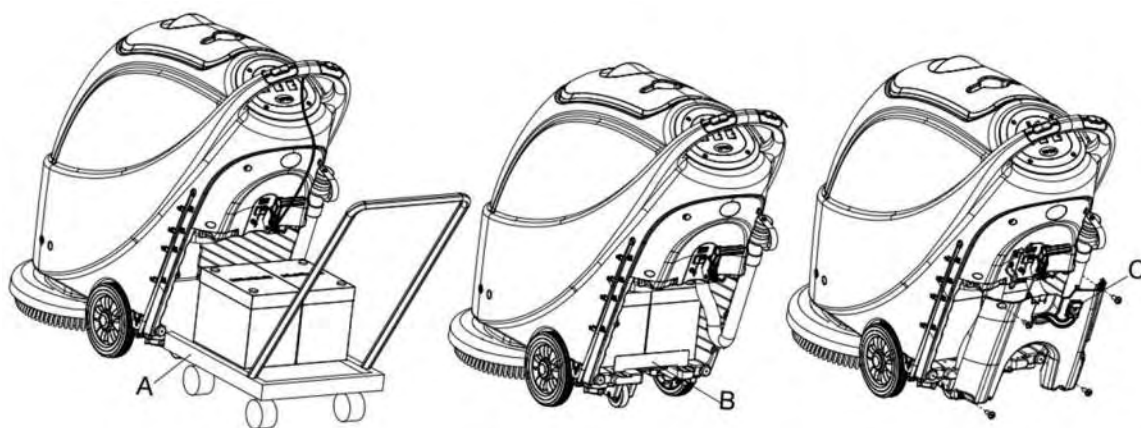
Ifølge de varierende dimensioner på batterier, kravene til udvælgelse af faste batterier er som følger:

- For batteri med længde under 270 mm, bruge 2 stykker af fiksering bord (B, figur 6) og placere dem ved siden af hinanden inde i vandtanken batteri;
- For batteri med længde mellem 310 mm-270 mm, skal du bruge 1 stykke af fiksering bord (B, figur 6) og placere den i vandtanken batteri;
- For batteri med længde mellem 330 mm -310 mm, er der ikke behov for fiksering for at fastsætte placeringen.



Figur 6

- Installér batteriet med specielt fremstillet batteri installation værktøjer (A, figur 7). Når batteriet er installeret, skal du fjerne batteriet installation værktøjer, og installere batteriet fiksering beslaget (B, figur 7).



Figur 7

15. Sæt batteristykket (C, figur 7) gennem hullet på toppen af batteriet dæksel, sætte dræning slange gennem højre hul af batteriet dæksel, fastgøre batteriet dæksel med 4 skrue, og derefter installere skraberens tegning ledningen, dræning slange, og gummiskraber successivt.

Opladning af batteriet

16. For at oplade batteriet (se trinene angivet i afsnittet om vedligeholdelse).

FØR START AF MASKINEN

INSTALLERING OG AFTAGEN AF BØRSTE-/PUDEHOLDER



BEMÆRK

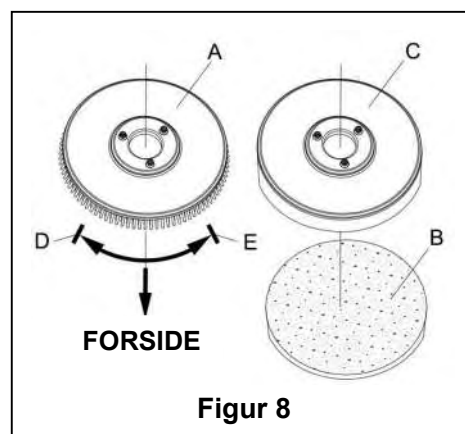
Ifølge det type gulv, der skal rengøres, kan maskinen monteres med børste (Figure8, A) eller en pude-holder (figur 8, B og C).



FORSIGTIG!

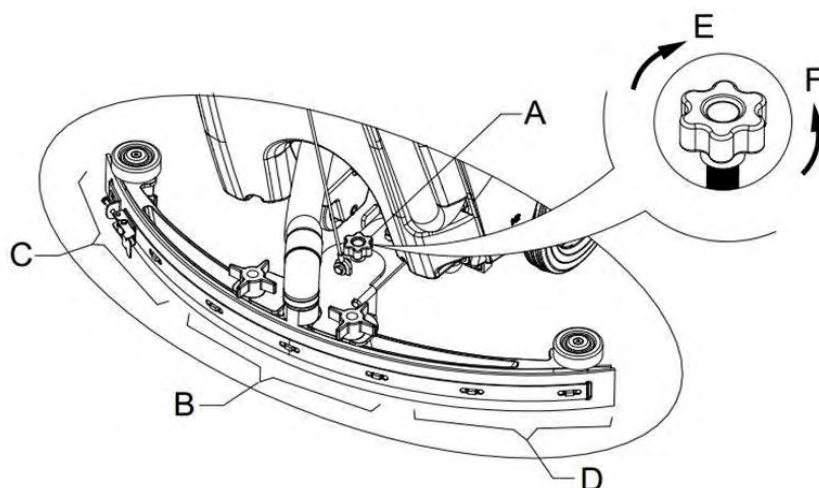
Når manuelt installerer eller aflæsning af børste/pude-holder, først kontrollere, om alle kontakterne er i slukket position, og løft sugefod fra gulvet, efter der kan børsten eller puden-indehaveren skal arbejdes på. Desuden skal du sætte på beskyttelsehandsker for at undgå at blive skåret af fragmenter.

1. (Gælder kun for **AS430B** og **AS510B**): sørg for at knappen (41) er i position (O).
2. Tryk ned på styret (2) til at løfte tanken krop (26).
3. Sæt børsten (A) eller puden-holderen (B - C) under sagen.
4. Brug styret (2) for at sænke tanken organ (26) til at komme i kontakt med børste eller pude-holder.
5. For at installere børste / pude-holder automatisk dreje afbryderen (41) til position "I" og tryk ned sikkerhedsafbryderen (1). Skub forsigtigt maskinen fremad, således at båndet hjul på bunden af tanken kroppen på linie med børsten eller pude-holder, som derefter kan installeres. Slip derefter sikkerhedsafbryderen. Gentag om nødvendigt denne procedure, indtil børsten / puden-indehaver er installeret.
6. Hvis trin 5 ovenfor viser sig at være vanskeligt, bruge den manuelle metode ved at følge pilen hovedet (D) for at installere børste / pude-holder (som vist i figur 8).
7. For automatisk at losse børste / pude-holder, dreje afbryderen (41) til position "O". Brug hånden til at holde styret, og tryk maskinen nedad, indtil guiden hjulet rører gulvet og børste / pad-indehaveren hænger i luften. Drej afbryderen (41) til position "I", og tryk ned sikkerhedsafbryderen at lade børste eller pude-holder igen, indtil børsten / puden-holder falder til gulvet.
8. Hvis Trin nr 7 ovenfor viser sig at være vanskeligt, bruge den manuelle metode ved at dreje børsten / puden-holderen i modsat retning af den normale drejeretningen, og det kan tages ud. (som vist i figur 8).



JUSTERING AF GUMMISKRABERENS BALANCE

9. Installer gummiskraber og drej den fast med håndtaget. Tilslut derefter vakuum rør til affald til gummiskraber.
10. Juster gummiskraberens balance med justeringshåndtaget (A) på gummiskraberens (se figur 9).
 - 1) Hvis den midterste del af den bagerste gummiskraberstrimmel, afsnit B, har et hul med gulvet eller det nedadgående pres er relativt let, juster håndtaget i en anti-uret, indtil hele længden af den bagerste gummiskraberstrimmel rører godt med gulvet. Den forreste gummiskraberens strimmel bør røre gulvet.
 - 2) Hvis de to ender af den bagerste gummiskraberstrimler, afsnit C og D, har et hul med gulvet eller det nedadgående pres er relativt let, juster håndtaget i urets retning, indtil hele længden af den bagerste gummiskraberstrimmel rører godt med gulvet. Den forreste gummiskraberens strimmel bør røre gulvet.



Figur 9

Påfyldning af opløsningstank



FORSIGTIG!

Kun lavtskummende, kan brændbare rengøringsmidler anvendes. Disse rengøringsmidler skal være egnede til brug i skrubbermaskiner.

11. Åbn vandtilførslen dæksel (27) og tilsæt vand til løsnings tank. Overfyld ikke tanken. Påfyldning op til nær kanten af filterholderen af vandindløbet vil være tilstrækkeligt. Ved udarbejdelsen af de rengøringsmidler, skal du følge fortyndings satser leveret af den kemiske fremstilling og vandtemperaturen må ikke overstige 40 °C.

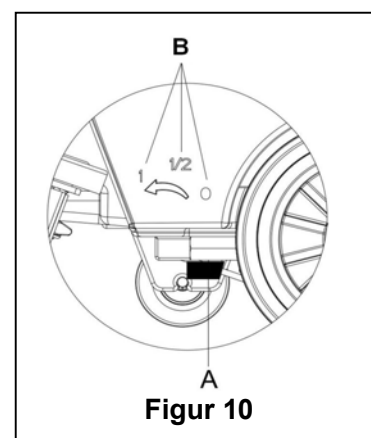
REGULERING AF MÆNGDEN AF VANDSTRØM



ADVARSEL!

Regulering af kuglehanen håndtaget (A, figur 10) skal ske under forudsætning af, når afbryderen (41) er i positionen "O".

12. Mængden af vandstrømmen kan justeres via kugleventilens håndtag (A, figur 10) i overensstemmelse med mængden af vand praktisk kræves til at skrubbe gulvet.



Figur 10

START OG STOP AF MASKINEN

Start maskinen

1. Gennemfør de forberedende skridt som relateret ovenfor.
2. Tryk på strømknappen (41) til position "I".
3. Brug gummiskraberens håndtag (41) for at sænke bladene.
4. Tryk Vakuumpumpe kontakten (42) til position "I".

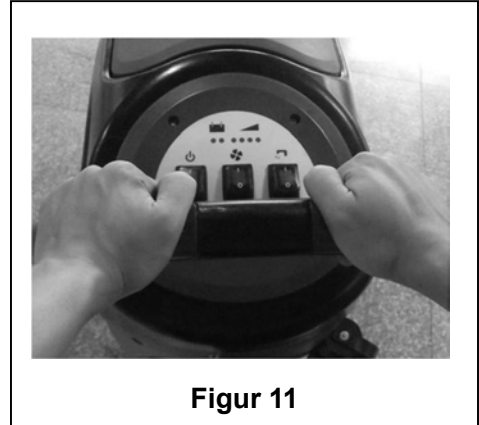
- Tryk vandstrømmen volumenkontrol kontakt (44) til position "I". (Arbejde samtidigt med sikkerhedsafbryderen (1) til at styre arbejde magnetventil.)
- Hold sikkerhedsafbryderen (1), og skub til at flytte maskinen. Børsten (29) begynder at rotere, og maskinen begynder sin rengøring.

KONSULTATION :At skubbe maskinen



Et af kendetegnene ved maskinen er installationen af to sikkerhedsafbrydere på begge sider af styret. Hver sikkerhedsafbryder er i stand til at styre uafhængigt driften af børsten. Ved brug letter kontrol af driften af maskinen.

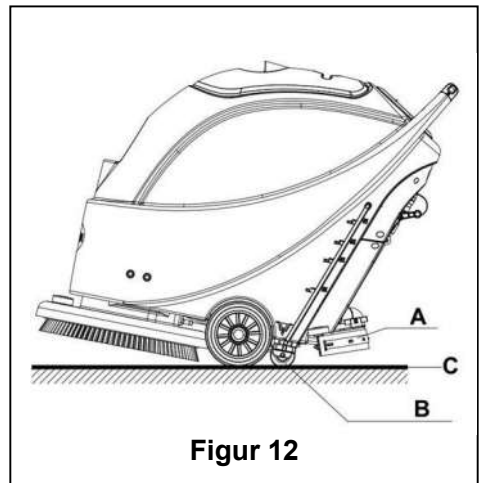
Erfaringsmæssigt, at metoden flytte maskinen vist på højre Figur 11 er mere velegnet, føler brugerne mere behagelig på hænder, det reducerer arbejdet træthed. Så brugerne anbefales at flytte maskinen på denne måde.



Figur 11

At slukke maskinen

- Når du er færdig med at bruge maskinen, først losse børste / pude-holder (se trinene relateret i afsnittet om børste / pude-indehaver installation og aflæsning)
- Slip sikkerhedsafbryderen (1) for at slukke børste / pude-holder og magnetventil.
- Tryk på Vakuumpumpe kontakten (42) til position "O", og vakuumpumpen vil forsinke i 5 sekunder før du stopper arbejdet.
- Tryk vandstrømmen volumenkontrol kontakt (44) til position "O" for at slukke helt for arbejde magnetventil.
- Tryk på afbryderen (41) til position "O".
- Brug gummiskraberens løftehåndtag (14) til at løfte bladene.
- Tag fat i styret (2) og forsigtigt vippe maskinen tilbage, indtil styrehjulet (B) rører gulvet. Se figure 12.



Figur 12

DRIFT AF MASKINEN (RENGØRING OG TØRRING)

- Start maskinen i henhold til ovenstående beskrivelse.
- Hold sikkerhedsafbryderen (1) (i henhold til den måde, der er vist i **figur 11**), tryk for at flytte maskinen, og start rengøring job.
- Hvis det er nødvendigt, skal du slukke for maskinen, og juster regulerende håndtag visker. (Se trin til justering af balancen i gummiskraberen)
- Hvis det er nødvendigt, skal du slukke for maskinen, og justere lydstyrken på vandstrømmen med kugleventil håndtag. (Se trinnene til at justere mængden af vandstrøm.)



FORSIGTIG!

For at undgå at beskadige gulvet, når maskinen forbliver på ét sted uden at flytte, skal du slukke for strømmen (41).

Afladning af batteri under drift

- Det er kun, når det grønne advarselslys (38) lyser konstant at strømforsyningen på batteriet er tilstrækkelig til normal drift af maskinen.

BEMÆRK

Når alle fire grønne lys (38) tændes, det viser, at batteriet er fuldt opladet.

Når kun det sidste grønne lampe (38) er på, og begynder at blinke, foreslår opladning af batteriet, til maskinen stopper automatisk efter et par minutter.

Efter det sidste grønne lampe (38) slukkes, og det røde lys (39 og 40) begynder at blinke, vil maskinen stoppe automatisk efter et par sekunder. (Se de skridt relateret i vedligeholdelse afsnittet).



**FORSIGTIG!**

Brug ikke maskinen, når strømforsyningen på batteriet er utilstrækkelig, for at undgå at beskadige batteriet og forkorte batteriets levetid.

TØMNING AF TANK

Når opsamlingstanken er fuld, vil en flyder i den automatiske flyde turn-off-enhed (36) blokerer indløbet tilslutning til vakuumpumpen. Gennem en pludselig stigning i støj fra vakuumpumpen, kan det antages, at vakuumpumpen allerede er overbelastet og en umiddelbar dræning af spildevandet er nødvendig.

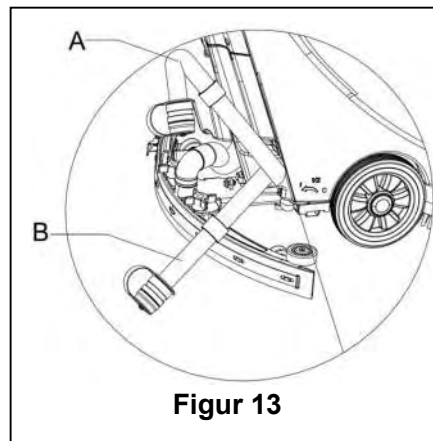
FORSIGTIG!

Hvis vakuumpumpen pludselig slukkes (f.eks fordi maskinen pludselig flyttes resulterer i en aktivering af float), og hvis en genoptagelse af drift er nødvendig, skal du udføre følgende trin: tryk på afbryderen (41 og 42) til slukke for strømmen og vakuumpumpen, og åbn opsamlingstanken dæksel (25) for at kontrollere, om flyderen i float-filter er vendt tilbage til vandoverfladen. Så tæt opsamlingstanken dæksel (25), og tryk på afbryderen (41 og 42) for at tænde for strømmen og vakuumpumpen.

Når opsamlingstanken er fuldt fyldt med spildevand, skal du følge nedenstående trin for at dræne det hele.

Tømning af opsamlingstanken

1. Sluk for maskinen.
2. Ved at bruge gummiskraberens håndtag (14), løft visker.
3. Flyt maskinen til et dedikeret dump site.
4. Tag fat i styret (2) og forsigtigt hælde maskinen tilbage, indtil styrehjulet rører gulvet. (For docking af maskinen henvises til procedurerne i standsning af maskinen afsnit).
5. Tag dræning slange fra fiksering klip, bøj den øverste ende af dræning slange (som vist i **A, figur 13**), og åbn derefter dækslet af dræning slange, lavere dræning slange til et lavt niveau eller på jorden for at dræne vandet. Alternativt direkte placere dræning slange til en lav position eller på jorden for at gøre vandudløbet ansigtet nedad (som vist i **B, figur 13**), og derefter vride åbne vandet dræne låg til at dræne spildevandet i tanken. Efter dræning er fuldført, anvende rent vand til at rense indersiden af opsamlingstanken.



Figur 13

FORSIGTIG!

Ved tømning af spildevand, skal vakuurrøret for affald foldes eller sænkes til en lavere position (som vist i figur 13 A eller B), og derefter åbne låget på vakuurrøret for affald at dræne vandet. Gør ikke udløb vakuurrør til affald ansigt opad for at dræne vandet lodret. Dette er for at undgå spildevand spille på operatøren.

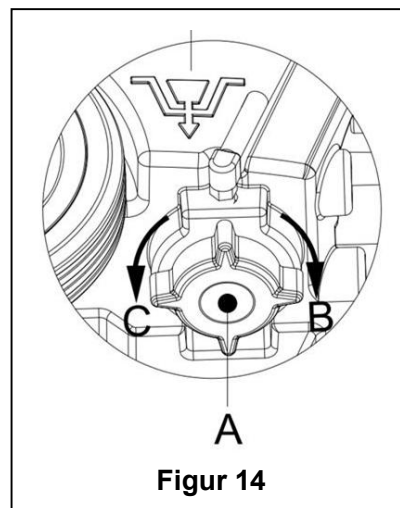
Tømning af opløsningsstank

6. Udfør trin 1 til 4.
7. Som vist i **figur 14**, drej åbne låget på Solution tank (A) mod uret langs retningen C og tøm Solution tanken helt. Brug rent vand til at rense indersiden af Vaskemiddeltank. Når arbejdet er afsluttet, drej stram låget på Solution tank (A) med uret i retning B.

EFTER BRUG AF MASKINEN

Når arbejdet er gjort, og før de forlader maskinen, afslutter de følgende trin:

1. Følg proceduren som beskrevet i førnævnte afsnit om installation og losning af børste / pude-holder, og tag børste / pude-holder.
2. Efter procedurerne beskrevet i relaterede sektioner, dræne vandet helt i Løsning tank og opsamlingstanken.
3. Gennemfør de daglige vedligeholdelsesprocedurer (se afsnittet om vedligehold).



Figur 14

4. Opbevar maskinen, herunder børste / pude-holder og gummiskraber, i et rent og tørt sted. Gummiskraber skal løftes eller tages ud.

PERIODER MED INAKTIVITET

Hvis maskinen ikke skal bruges i mere end 30 dage, skal du behandle den på følgende måde::

1. Gennemfør nødvendige procedure, der skal følges, når maskinen bruges.
2. Afbryd stikket (9), der forbinder batteriet og maskinen.
3. For ikke at beskadige batteriet, og hvis maskinen ikke skal anvendes i mere end 3 måneder, skal du oplade batteriet gang hver 3. måned.

BRUG FOR FØRSTE GANG

Efter at have brugt de første 9 timer, bedes du tjekke alle dele for at sikre intet er blevet løst eller beskadiget under drift, og se om der er nogen synlige skader eller lækage.

VEDLIGEHOLDELSE OG PLEJE

Levetiden og den maksimale drift sikkerhed af maskinen er sikret ved korrekt og rettidig vedligeholdelse og pleje.

Nedenstående tabel giver en generel vedligeholdelsesplan for maskinen. De tidsintervaller på vedligeholdelse bestemmes i høj grad af vilkårene for maskinen arbejder. Disse tidsintervaller skal formuleres af det personale, der har ansvaret for vedligeholdelsen.



ADVARSEL!

Først efter for strømmen til maskinen slukkes og forbindelsen mellem maskinen og batteriet er afbrudt, bør disse procedurer skal udføres. Før du fortsætter med nogen af vedligeholdelsesprocedurer, bedes studere nøje de relaterede sikkerhedsforanstaltninger sektioner.

Al vedligeholdelse i planen eller alle yderligere vedligeholdelse skal udføres af kvalificeret personale eller autoriserede servicecentre.

Denne vejledning vedrører kun den enkleste og de mest almindelige vedligeholdelsesprocedurer.

For alle andre end de i denne tabel over planlagt vedligeholdelse vedligeholdelsesprocedurer, henvises til vedligeholdelsesvejledning af servicecenteret.

TABEL FOR PLANLAGT VEDLIGEHOLDELSE

Procedure	Dagligt, efter brug af maskinen	Ugentlig	Hver 6 måneder	Årligt
Oplad batteri				
Rengør gummiskraber				
Rengør børste-/pudeholder				
Rengør vandtanke og flydefilter, inspicer tætningslister på vandtanken				
Undersøg og udskift gummiskraberens strimmel				
Rengør opløsningsfilter				
Rengør vakuumpumpefilter				
Undersøg væskniveauet i WET-batterier				
Undersøg tæthed af møtrikker og bolte			(1)	
Inspicer eller udskift kulbørster på børste-/pudeholder				(2)
Inspicer eller udskift kulbørster på vakuummotor				(2)

(1) Det bør gøres 9 timer efter at maskinen begynder at arbejde.

(2) Disse vedligeholdelsesprocedurer skal udføres af et autoriseret VIPER servicecenter.

OPLADNING AF BATTERI

**BEMÆRK**

Det er tid til at oplade batteriet, når det gule eller røde advarselsslys lyser op, eller hver gang, efter arbejde udføres.

**FORSIGTIG!**

Opbevar batteriet i fuldt opladet tilstand, for at forlænge levetiden på batteriet.

**FORSIGTIG!**

Når strømmen på batteriet bliver utilstrækkelig, skal batteriet oplades så hurtigt som muligt. Kontroller opladeren mindst en gang om ugen.

**FORSIGTIG!**

Hvis en indbygget oplader ikke er udstyret, skal du vælge en passende ekstern oplader til at oplade batteriet.

**ADVARSEL!**

Skal der udvises særlig omhu, når opladning af batteriet, da der kan være udslip af syre under opladningen. Batteri syre er ætsende. Hvis huden eller øjnene ved et uheld kommer i kontakt, skal du skylle grundigt med vand og kontakte en læge.

1. Åbn låget på opsamlingstanken (25) og kontroller om opsamlingstanken er tom eller ej. Hvis den ikke er tom, tøm den gennem afløbsslangen. (15).
2. Flyt maskinen til et bestemt opladningsområde.
3. Tryk afbryderen (41) til position "O" for at slukke for maskinen.
4. Gælder kun for WET-batterier.
 22. Kontroller niveauet af elektrolyt inde i batteriet. Hvis det er nødvendigt, fyld den op gennem låget.
 23. Hold alle låg åbne.
 24. Hvis det er nødvendigt, rengør oversiden af batteriet.
5. Vælg en af følgende procedurer for at oplade batteriet i henhold til den model af batteriet bliver brugt.

For at oplade et batteri med en ekstern oplader

6. Kontroller ifølge den tilhørende manual, hvis den eksterne oplader er passende. Udgangsspændingen skal være DC 24V.
7. Tilslut batteristikket til det eksterne stik, og tilslut den eksterne stik til lysnettet.
8. Når opladningen er færdig, skal du tilslutte oplader stikket på batteriet til maskinen.

For at oplade et batteri med en indbygget oplader (valgfri)

9. Fjern gummilåg for enden af batteriets opladningsstik.
10. Slut enden af batteriopladning stik med lysnettet med en afgift forbinder wire. (Venligst BEMÆRK om indgangsspændingen af den indbyggede lader er 220V -. 240V og udgangsspænding 24V og frekvens opfyldte kravene) Når opladeren er tilsluttet lysnettet, alle andre funktioner vil blive afskåret automatisk. Hvis det røde advarselslys på den indbyggede lader stadig lys, det viser, at opladeren er opladning af batteriet.
11. Når det grønne advarselslys (47) er tændt, det viser, at batteriet opladningen er færdig.
12. Når opladningen er færdig, tag den forbindende ledning fra slutningen af batteriopladning stik og elnettet, og lagt på gummi låg.
13. Frakobl opladerens ledning fra lysnettet, og vind tråden på rullen (6).

**BEMÆRK**

Hvis der er behov for flere oplysninger om den indbyggede lader (35), henvises til tilhørende manual.

RENGØRING AF GUMMISKRABER**BEMÆRK**

For at opretholde den optimale effekt af vand, skal gummiskraberen holdes rene, og gummiskraberen strimmel skal forblive i god stand.

**FORSIGTIG !**

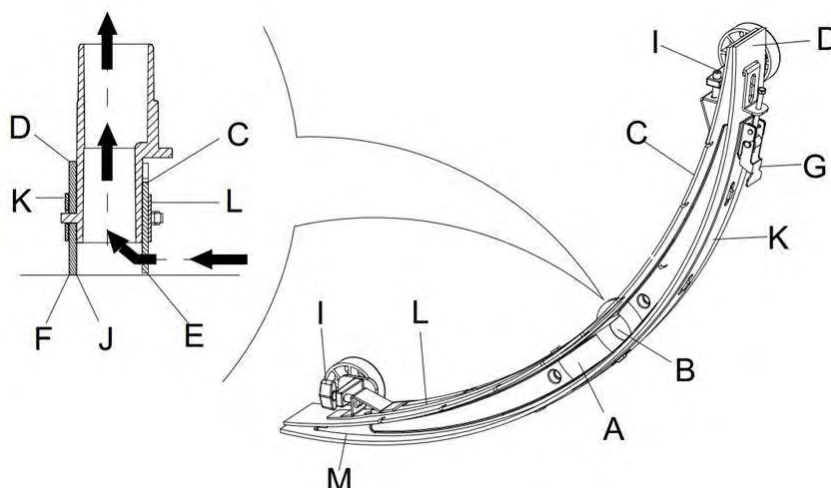
Ved rengøring af gummiskraberen, anbefales det at sætte på beskytteshandsker, da gummiskraberen kan indeholde skarpe fragmenter.

1. Move the machine to a flat and smooth surface.
2. Press the power switch (41) to the "O" position to turn off the machine.
3. Unscrew the fixed handle (16) of the squeegee; take off the connector connecting the Recovery Vacuum tube of the squeegee, and take off the squeegee.
4. Use the squeegee lifting handle (14) to lift the squeegee support frame.
5. Clean the squeegee (Figure 15). Clean in particular the groove (A, Figure 15) and the dirt and fragments on the Vacuum tube. Check if the front squeegee blade (C) and the rear squeegee blade (D) are intact, and if there are broken edges and cracks. Change them if necessary (refer to the steps in the following section).
6. Re-install the squeegee in the reverse order of the above.

KONTROL OG UDSKIFTNING AF GUMMISKRABER

1. Rengør gummiskraberen, som vist i det foregående afsnit (Figur 15).
2. Kontrollér, at kanten (E, figur 15) af det forreste blad og kanten (F) af det bageste blad (D) er på samme niveau, langs deres længde; ellers justere deres højde i henhold til følgende procedure.
 - Frigør holderne (G) for at justere det bageste blad (D) separat fra møtrikken (M) for justering af gummiskrabereens placering. Efter justering, lås holderen igen.
 - Løsn håndhjul (I), og juster den forreste klinge (C). Efter justering, spænd derefter igen.
3. Kontrollér det forreste blad (C) og bagerste blad (D) for integritet, nedskæringer og slid. Om nødvendigt udskift dem på følgende måde. Kontroller, at den forreste side (J) af et bageste blad ikke er slidt. Hvis det er slidt, vend bladet (hvis den anden side er intakt). Hvis den anden side også er slidt, udskift bladet ifølge nedenstående procedure:
 - Løsn klemmen (G) for at lade presset bladet adskilt fra beslaget (M), tag klippet bar (K), og derefter ændre eller slå den bagerste gummiskrabereblad (D) på hovedet. Geninstallerer den bagerste gummiskrabereblad i omvendt rækkefølge for at tage det ud.
 - Løsn håndtaget skruen (I) og tage ud foran klip bar (L), og derefter ændre den forreste gummiskrabere (C).
Geninstallerer den forreste gummiskrabereblad i omvendt rækkefølge for at tage det ud.
Efter ændring rakelbladet (eller installere på hovedet), justere niveauet for de forreste og bageste rakelblade i de procedurer, som beskrevet ovenfor.
4. Tilslut vakuumslange (11) til blade.
5. Installer gummiskraberen og brug knappen (16) for at stramme den, og tilslut derefter Vacuum slange til visker.

6. Hvis det er nødvendigt, justeres gummiskraberen gennem justering håndhjulet (20) (se de nærmere vilkår for justering af balancen i gummiskraberen).



Figur 15

RENGØRING AF BØRSTE/POLERINGSPUDE



FORSIGTIG!

Risiko for rifter. Det er tilrådeligt at bære beskyttelseshandsker ved rengøring af børste/pude, fordi der kan være skarpe vragsdele.

1. Som beskrevet i tidligere kapitel, fjern børste-/pudeholderen.
2. Med brug af vand og rengøringsmidler, rengør børste-/pudeholderen.
3. Kontrollér fuldstændighed og iført tilstand af børstehårene på børsten og om nødvendigt ændre børsten.
4. Kontrollér iført tilstand af puden-holder og om nødvendigt ændre puden-holderen..

RENGØRING AF VANDTANK OG FLYDEFILTERNET

- 1 Flyt maskinen til et dedikeret dumpingssted.
- 2 Tryk på afbryderen (41) til positionen "O" for at slukke for maskinen.
- 3 Åbn opsamlingstanken låg (A, figur 16), og tag float-enheden (36) fra opsamlingstanken.
- 4 Brug rent vand til at rengøre opsamlingstanken låg (A), beholderen (B og C), og svømmeren filter bæreramme (E). Gennem Recovery rør (15), tømme alt vandet fra vandbeholderen.
- 5 Hvis det er nødvendigt, efter symbolerne "Open" og "Luk", som vist i figur 16, skal du åbne den nederste låg (F) af flyderen filteret og rengør svømmeren (D), float filter bæreramme (E), og filteret svamp (I). Efter rengøring, ordne svømmeren på float filter bæreramme (E), og derefter justere mærket rille (L) af den nederste låg (F) af flyderen filter med varemærket rille (L) af flyderen filter bæreramme (E). Drej nederste låg (F) af flyderen filter stramme og reparere filtersvampen (I) på flyderen filter bæreramme (E), og derefter på vakuurrøret (M).
- 6 Kontrollér forsvarligheden af tætningsringen (G) i vandtankens låg.

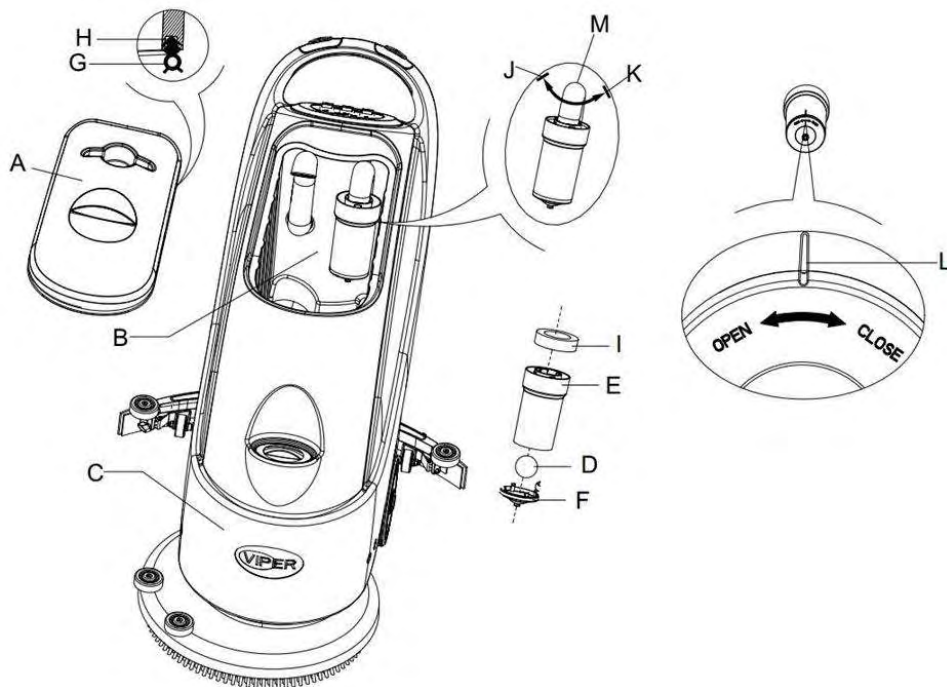


BEMÆRK

Tætningsbåndet (G) i vandtanken gør vandbeholderen skabe et vakuum. Det skal være helt lukket for at være i stand til effektivt at suge spildevand fra gulvet.

Hvis det er nødvendigt, kan tætningslisten vandtankens (G) tages ud fra rillen (H) og ændret. Ved montering af en ny vandtank tætningsliste, som vist i figur 16 nedenfor, installere stikket til den midterste del af den bageste del.

- 7 Kontrollér, om den modtagende overflade tætningslisten (G) er intakt og sæler tilstrækkeligt.
- 8 Luk opsamlingstankens låg (A).



Figur 16

RENGØRING AF OPLØSNINGSFILTER

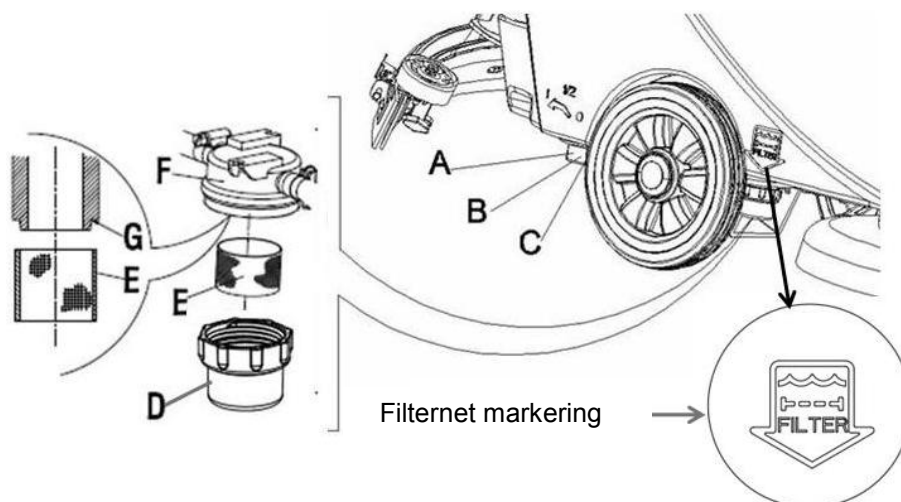
1. Tøm alt vandet fra Solution tanken på den måde, der blev indført i relaterede sektioner.
2. Flyt maskinen til et fladt og glat underlag.
3. Tryk på afbryderen (41) til position "O" for at slukke for maskinen.
4. Sluk dræning kuglehanen (A, figur 17) (placeret i bunden af maskinen, bag hjulene). Position B kugleventil åben og position C lukkes kugleventilen.
5. Tag det gennemsigtige låg (D), og derefter tage ud filteret (E), og installere dem på filteret boksen (F) efter rensning.



BEMÆRK

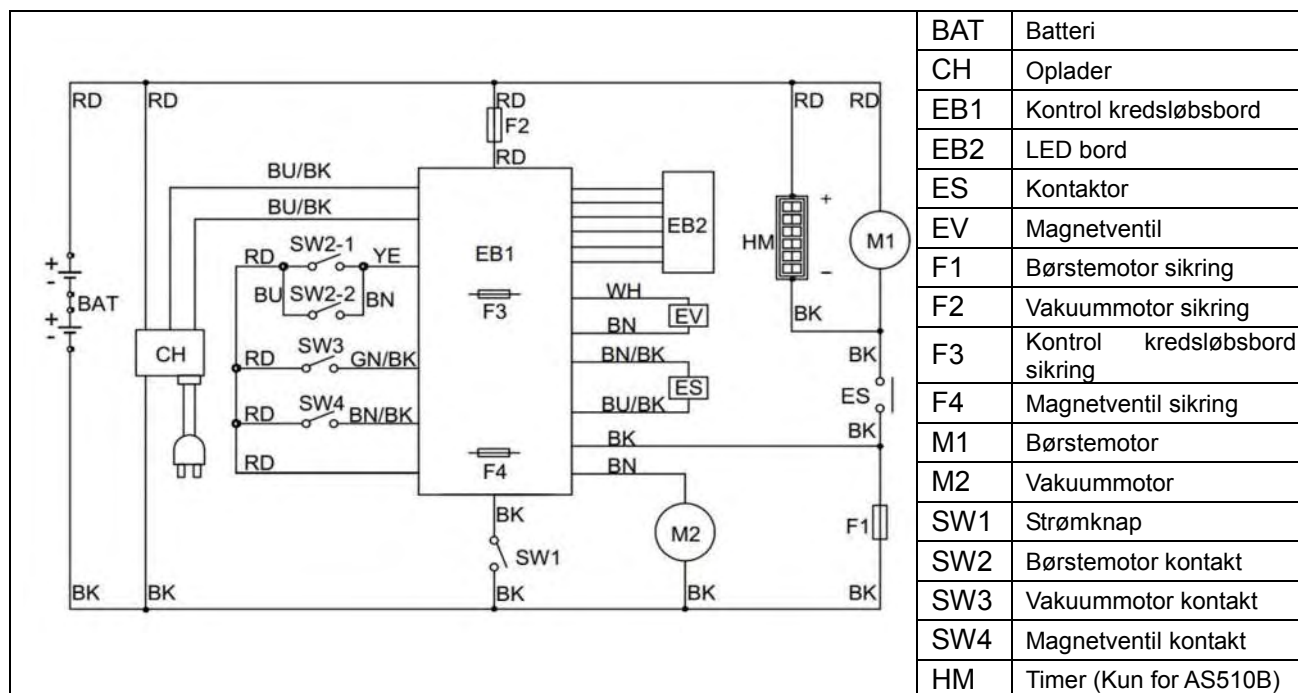
Filteret (E) skal monteres nøjagtigt på positionen af fremspringet (G).

6. Åbn dræningskugleventil (A).



Figur 17

KREDSLØBSFIGUR FOR AS430B OG AS510B



FARVEKODER

RD: Rød	BN: Brun	BU/BK: Blå /Sort
BU: Blå	YE: Gul	GN/BK: Grøn / Sort
BK: Sort	WH: Hvid	BN/BK: Brun / Sort

FEJLFINDING

Fejl	Mulige årsager	Løsninger
Maskinen fungerer ikke: INDikatorlys tændes ikke	Batteriforbinder (9) ikke forbundet	Forbind batteristikket
	Batterier er drænede	Oplad batteriet
Advarselslys (39 og 40) blinker	Børstemotor overbelastet	Skift til en blød børste til at tilpasse sig gulvet
	Øvrige forhold blokerer børstens rotering	Rengør børsten
Børsten fungerer ikke	Børstens sikring slået fra	Nulstil
	Bæltet glider	Tjek bælte, juster spænding på remskive
Vakuummotor fungerer ikke	Vakuumslange falder af	Nulstil
Ikke nok vakuum	Opsamlingstanken er fuld.	Tøm vandbeholderen
	Vakuumslange til affald og gummiskraberen ikke korrekt tilsluttet	Tilslut vakuumslange til affald og gummiskraberen
	Flydefilter blokeret eller indløb blokeret	Rengør flydefilter, kontroller oversugningsbeholder
	Sugefod beskidt eller gummiskraberblad slidt og beskadiget	Rengør og kontroller gummiskraberen
	Opsamlingstankens dæksel er ikke korrekt tændt eller tætningslisten er beskadiget	Sæt på låget ordentligt, eller ændre vandtanken tætningsliste
Rentvandforsyning til børsten er utilstrækkelig	Filteret er beskidt.	Rengør filter
Gummiskraberer efterlader mærker	Rester som fragmenter under gummiskraberbladet	Fjern fragmenter
	Gummiskraberbladet slidt, revnet, skørt.	Udskift gummiskraberbladet
	Gummiskraberens balance ikke justeret	Juster balancen

BEMÆRK

Hvis maskinen er installeret med den valgfri indbygget lader, og når den indbyggede oplader er defekt, kan maskinen ikke betjenes.

Hvis den indbyggede oplader er defekt, skal du kontakte det autoriserede vedligeholdelsescenter.

For at finde ud af mere information, se venligst vedligeholdelsesvejledning (tilgængelig på ethvert VIPER vedligeholdelsescenter)

BORTSKAFFELSE AF MASKINEN

Brug kvalificerede knusning maskine til at ødelægge denne maskine.

Før bortskaffelse af denne maskine, skal du tage væk og adskille de følgende materialer, som ifølge relaterede love og regler, skal være korrekt behandlet.

- Batteri
- Børste-/pudeholder
- Plastikslanger og plastikdel
- Elektriske og elektroniske dele (*)

(*):Kontakt venligst nærmeste VIPER Center (især hvis skrotning af elektriske og elektroniske komponenter er påkrævet).

INNEHÅLLSFÖRTECKNING

INLEDNING	313
HANDBOKENS INNEHÅLL.....	313
SYFTE	313
RESERVDELAR OCH UNDERHÅLL.....	313
FÖRÄNDRINGAR OCH FÖRBÄTTRINGAR	313
ANVÄNDNINGSSOMRÅDEN.....	313
IDENTIFIKATIONSUPPGIFTER	313
UPPACKNING/TRANSPORT	313
ALLMÄNNA SÄKERHETSFÖRESKRIFTER	314
TEKNISKA DATA	315
MASKINBESKRIVNING.....	315
MASKINENS STRUKTUR.....	315
BILDER PÅ MASKINENS STRUKTUR.....	316
KONTROLLPANEL.....	316
FÖNSTER LADDARENS INDIKATORLAMPAN SKÄRM	317
ANVÄNDNINGSGUIDE.....	317
INSTALLATION OCH INSTÄLLNING AV NYTT MASKINBATTERI.....	317
INSTALLERA BATTERI OCH INSTÄLLNING AV BATTERITYP (VÅT ELLER GEL/AGM).....	318
INNAN MASKINEN STARTAS	319
INSTALLERA OCH DEMONTERA BORSTE/DYNHÅLLARE.....	319
JUSTERA BALANSEN PÅ GUMMISKRAPAN	320
REGLERA VATTENFLÖDETS VOLYM.....	320
START OCH STOPP AV MASKIN.....	320
MASKINDRIFT (RENGÖRING OCH TORKNING)	321
TÖMMA BEHÅLLAREN	322
EFTER ATT HA ANVÄNT MASKINEN	322
PERIODER AV INAKTIVITET	322
ANVÄNDNING FÖR FÖRSTA GÅNGEN.....	323
UNDERHÅLL OCH SKÖTSEL	323
TABELL ÖVER PLANERAT UNDERHÅLL	324
BATTERILADDNING	324
RENGÖRING AV GUMMISKRAPA.....	325
KONTROLL OCH UTBYTE AV GUMMISKRAPANS BLAD.....	325
RENGÖRING AV BORSTE/POLERINGSDYNA.....	326
RENGÖRING AV VATTENBEHÅLLARE OCH OCH FLYTANDE FILTER.....	326
RENGÖRING AV LÖSNINGSFILTER.....	327
KRETSSCHEMA FÖR AS430B OCH AS510B	328
FELSÖKNING	329
BORTSKAFFANDE AV MASKIN.....	329

INLEDNING



OBS!

Siffrorna inom parentes hänvisar till de komponenter som visas i avsnittet Maskinbeskrivning.

HANDBOKENS INNEHÅLL

Den här bruksanvisningen ska ge operatören nödvändig information för att använda maskinen på ett korrekt och säkert sätt. Informationen omfattar tekniska data, säkerhet, drift, lagring, underhåll och avyttring av maskinen. Operatören och teknikern med tillhörande kvalifikationer måste studera handboken noga före drift och underhåll av denna maskin. Kontakta VIPER för frågor angående denna handbok eller om ytterligare information behövs.

SYFTE

Avsikten med denna handbok är att göra det möjligt för operatören och den kvalificerade teknikern att utföra underhåll av denna maskin.

Operatören får inte utföra åtgärder som endast bör utföras av tekniker. VIPER kommer inte att ansvara för eventuella skador som orsakats av brott mot denna regel.

RESERVDELAR OCH UNDERHÅLL

All drift, underhåll och reparation måste utföras av kvalificerad personal eller av ett VIPER-servicecenter. Endast godkända reservdelar och tillbehör bör användas.

Om du behöver service eller beställa reservdelar, kontakta VIPER med maskinens modellnummer och serienummer.

FÖRÄNDRINGAR OCH FÖRBÄTTRINGAR

VIPER gör kontinuerliga förbättringar på sina produkter. VIPER förbehåller sig rätten att ändra och förbättra maskinerna, och även rätten att besluta om fördelarna till följd av ändringarna är tillämpliga på produkter som redan sålts. Alla ändringar eller extra tillbehör måste godkännas av VIPER och måste utföras av företaget.

ANVÄNDNINGSMOMRÅDEN

Denna skrubber används i hemma- och industriell miljö, och är lämplig för rengöring av mjuka och hårda golv (skurning och uppsamling av smutsvatten). Det måste användas av kvalificerade operatörer och i en säker miljö. Denna skrubber kan inte användas för rengöring utomhus, av mattor och av relativt grova golv.

IDENTIFIKATIONSUPPGIFTER

Maskinens modell och serienummer finns på namnskylten (4).

Denna information är användbar vid förfrågan av reservdelar till maskinen. Använd följande tabell för att skriva ner maskinens identifieringsuppgifter.

MASKINMODELL.....
MASKINENS serienummer.....

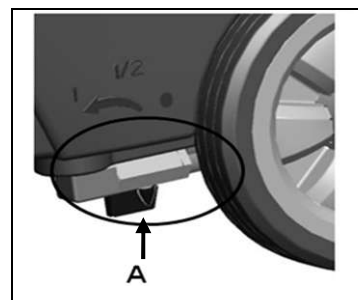
UPPACKNING/TRANSPORT

Följ noga instruktionerna på förpackningen vid uppackning.

Vid leverans, kontrollera förpackningen och maskinen för att säkerställa att ingen skada har skett under transporten. Om det finns några synliga skador, håll den ursprungliga formen, och be transportören att bekräfta och fylla i en lista för skadeståndersättning.

– FÖRSIKTIGHET

När du packar upp och lossar eller under flytt av maskinen över trappsteg, se till att undvika att slå emot strömbrytaren som reglerar vattenflödet, del A i figuren till höger.



Kontrollera om maskinen är utrustad med följande:

1. Tekniska dokument
15. Bruksanvisning för skrubber

16. Bruksanvisning för inbyggd laddare (om den medföljer)
2. kontakt för laddare (om inte utrustad med inbyggd laddare, är det den angivna externa laddaren)

ALLMÄNNA SÄKERHETSFÖRESKRIFTER

Följande är särskilda varningar och meddelanden om potentiella skador (personal och maskin):



VARNING!

25. Maskinen får endast användas under ledning av denna handbok. Endast tillbehör som godkänts av VIPER bör användas.
26. Denna maskin får användas endast av utbildad eller behörig personal. Barn eller olämpliga personer får inte använda denna maskin.
27. Under normal drift, kan batteriet avge en brandfarlig gas. Batteriet måste hållas borta från strålände, lysande, och brinnande objekt såväl som gnistor. När maskinen används, till se att miljön är väl ventilerat och utan öppna lågor. Vid laddning, rök inte i närheten av maskinen.
28. Koppla bort batteriet före underhåll/repairation.
29. Innan du använder den inbyggda laddaren, se till att den nätspänning och frekvens som anges på namnskylten är densamma som i elnätet.
30. När du arbetar nära elektriska delar, ha inte på dig smycken. Vidta alla försiktighetsåtgärder för att undvika att hår, smycken och löst sittande kläder fastnar i maskinens rörliga delar.
31. Använd inte maskinen i mycket smutsiga miljöer. Tvätta inte maskinen med vatten. Låt inte maskinen komma i kontakt med frätande vätskor.
32. Temperaturen för maskinens lagring och arbetsmiljö måste vara mellan 0 och 40 °C.
33. Luftfuktigheten bör vara mellan 30 % - 105 %.
34. Använd inte maskinen på en sluttning med en lutning på mer än 2 %.
35. Vid brand, använd en pulverbrandsläckare. Använd inte flytande brandsläckare.
36. Särskild uppmärksamhet bör ägnas när maskinen transporteras vid temperaturer under 0 °C. Vattenbehållaren och vattnet i slangarna kan frysa och orsaka allvarliga skador på maskinen.
37. Använd de borstar och dynor som levereras med maskinen eller anges i handboken. Användning av andra borstar eller dynor kan minska säkerheten.
38. Vid fel på maskinen, kontrollera att den inte orsakas av brist på underhåll. Om den orsakas av andra skäl, sök hjälp hos behörig personal eller servicecenter.
39. Om det bekräftas att reservdelar måste bytas ut, kontrollera att de är originaldelar som säljs av auktoriserade återförsäljare och agenter.
40. För att garantera en säker och korrekt drift av maskinen, låt behörig personal eller servicecenter utföra det planerade underhållet enligt underhållsplaner i relaterade avsnitt av handboken.
41. Denna maskin måste bortskaffas på ett korrekt sätt eftersom det kan finnas giftiga och farliga material (batterier etc.) som måste tas om hand av särskilda centra i enlighet med gällande lagar och förordningar (se avsnittet bortskaffning av maskin).

TEKNISKA DATA

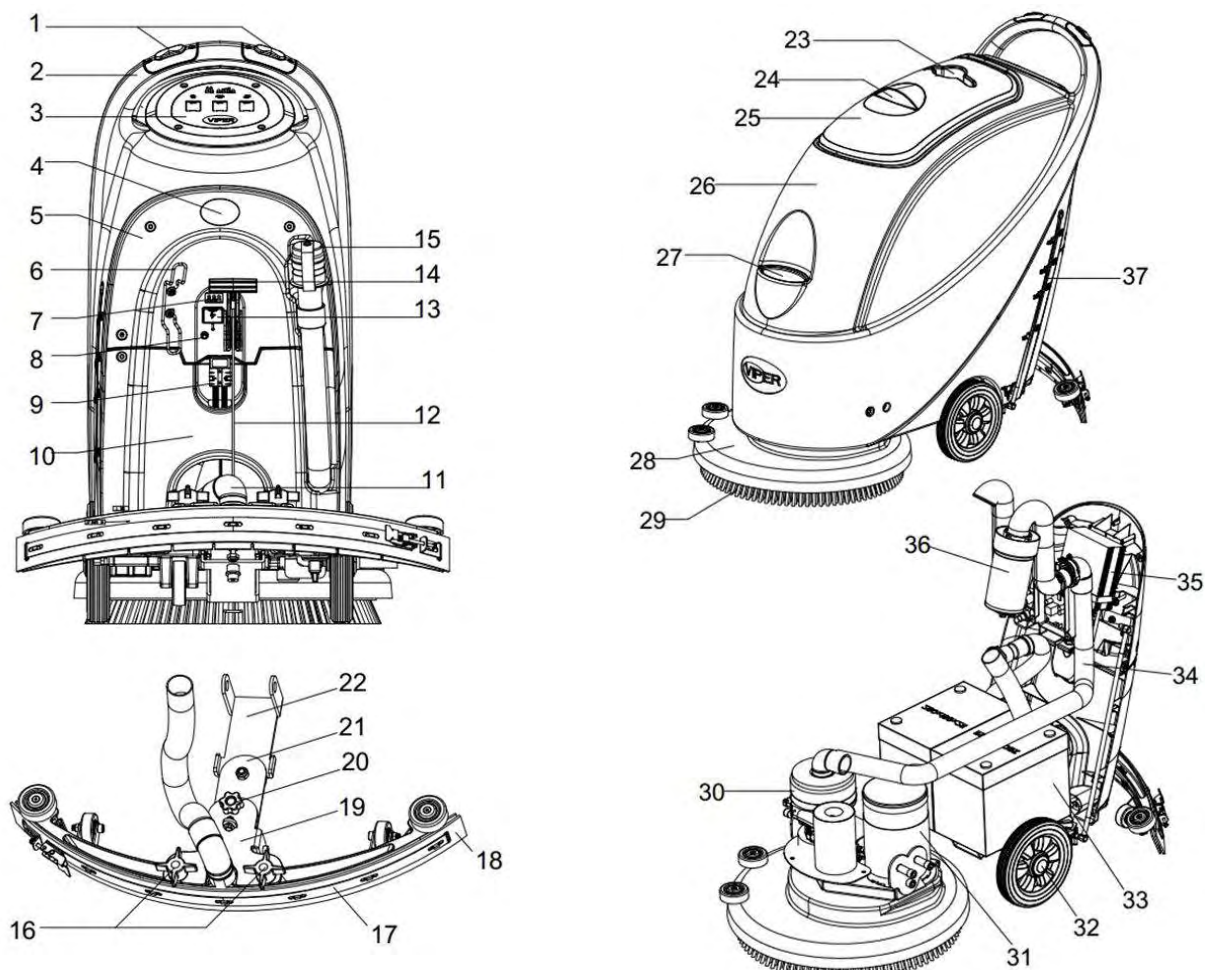
Modell	AS430B	AS510B
Maskinens höjd	980 mm	
Lösningssbehållarens volym	40 liter	
Återvinningsbehållarens volym	40 liter	
Diameter på transporthjul	200 mm	
Diameter på hjälphjul	76 mm	
Vakuumsystemets motoreffekt	350 W	
Maximal lutning vid drift	2 % (max)	
Ljudtrycksnivå vid arbetsstation	70 db(A) ±3 db(A)	
Standardbatterier	(2 x 12V) 24V 85Ah AGM	(2 x 12V) 24V 105Ah AGM
Batterifackets storlek (L x B x H)	340 x 330 x 260 mm (max)	
Vakuumsystemets kretskapacitet	1200 mm H ₂ O	
Rengöringsbredd	430 mm	510 mm
Gummiskrapans bredd	730 mm	790 mm
Maskinens maximala längd	1060 mm	1100 mm
Maskinens bredd utan gummiskrapa	480 mm	540 mm
Borstdiameter	430 mm	510 mm
Vikt utan batterier och med tomma behållare	112 kg	128 kg
Maskinens bruttovikt när den är klar för användning	152 kg	168 kg
Borstmotoreffekt	550 W	560 W
Borsthastighet	150 rpm	
Borst-/dynhållarens maximala tryck	30 kg (max)	35 kg (max)
Förpackningens storlek (L x B x H)	1200 x 610 x 1170 mm	

MASKINBESKRIVNING**MASKINENS STRUKTUR**

- | | |
|---|---|
| 1. Säkerhetsbrytare | 20. Gummiskrapans justeringsratt |
| 2. Styrstång | 21. Gummiskrapans bakre stödrum |
| 3. Kontrollpanel | 22. Gummiskrapans främre stödrum |
| 4. Serienummerskylt/tekniska data/överensstämmelse certifiering | 23. Mugghållare |
| 5. Kontrolllock | 24. Återvinningsbehållarens lockhandtag |
| 6. Kabelhållare (*) | 25. Återvinningsbehållarens lock |
| 7. Batteriets laddningsindikatorlampa | 26. Behållare |
| 8. Återställningsknapp | 27. Lock för vatteninlopp |
| 9. Batterikontakt | 28. Borstdäck |
| 10. Batterilock | 29. Borst-/dynhållare |
| 11. Vacuumrör för avfall | 30. Vakuumsystemets motor |
| 12. Gummiskrapans dragsladd | 31. Borstmotor |
| 13. Batterikontaktens säkerhetslock | 32. 8" hjul |
| 14. Lyfthandtag för gummiskrapa | 33. Batteri |
| 15. Tömningsslang | 34. Vacuumrör |
| 16. Gummiskrapans fasta vrede | 35. Laddare (*) |
| 17. Gummiskrapans fäste | 36. Flytande filter |
| 18. Gummiskrapans blad | 37. Vattennivårör (för att visa mängden vatten i lösningssbehållaren) |
| 19. Gummiskrapans stödrum | |

(*) tillämpas endast på maskiner med inbyggd laddare (tillval)

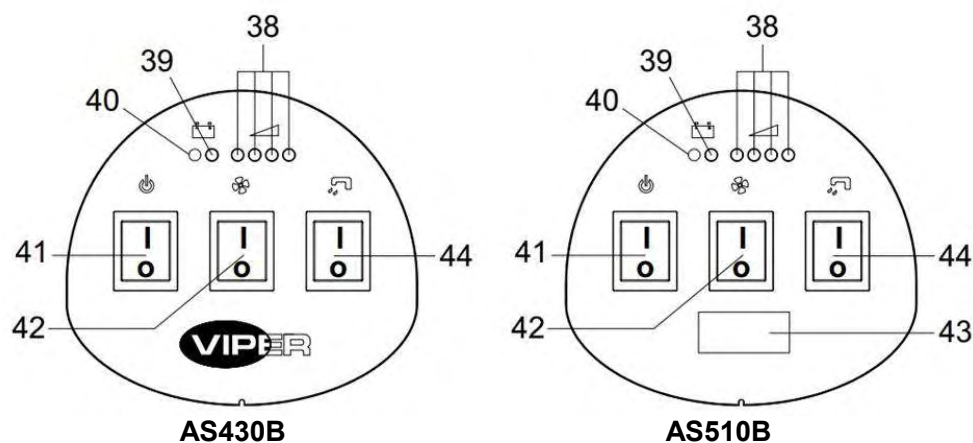
BILDER PÅ MASKINENS STRUKTUR



Figur 1

KONTROLLPANEL (figur 2)

- 38. Batteriets laddningsindikatorlampa (grön när laddat)
- 39. Batteriet-urladdad indikatorlampa (röd)
- 40. Batteriet-urladdad indikatorlampa (röd)
- 41. Strömbrytare
- 42. Vakuumbrytare
- 43. Timer (tillval, används för att registrera borstens drifttid)
- 44. Magnetventilknapp för kontroll av vattensprutning

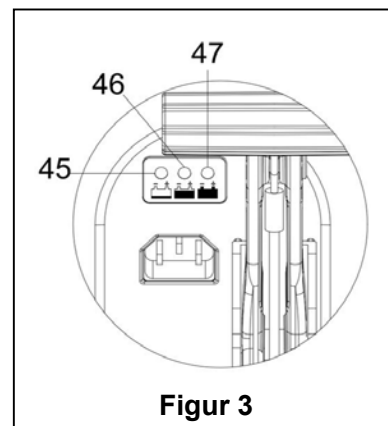


Figur 2

FÖNSTER LADDARENS INDIKATORLAMPOR (figur 3)

(Tillval, gäller för modeller med inbyggd laddare)

1. När laddningen börjar, blinkar laddarens (45) röda indikatorlampa några gånger och blir sedan ett fast ljus, i det första laddningsstadiet.
2. Efter att ha laddats under en tid, kommer den röda indikatorlampan (45) att släckas och en gul indikatorlampa (46) kommer att tändas, i det andra laddningsstadiet.
3. Efter att ha laddats under cirka 10 timmar, kommer den gul indikatorlampan (46) att slockna och en (47) grön indikatorlampa kommer att lysa permanent för att visa att laddningen är full och avslutad.



OBS!



- 1) Om den gula indikatorlampan blinkar under laddning, så betyder det att batteriet inte är kompatibelt med laddaren eller att batteriet inte är korrekt anslutet eller att en kortslutning har uppstått i kontakten.
- 2) Om den röda indikatorlampan blinkar, så har en kortslutning uppstått i laddaren. (För mer information, se relaterade avsnitt i laddarens handbok.)

ANVÄNDNINGSGUIDE

VARNING

På vissa delar av maskinen finns vissa vägledande skyltar:

- FARA
- VARNING
- FÖRSIKTIGHET
- RÅD



Vid läsning av bruksanvisningen, måste operatören vara uppmärksam på symbolerna på dessa skyltar. Dessa skyltar får absolut inte täckas över. Om de är skadade, byt ut dem omedelbart.

INSTALLATION OCH INSTÄLLNING AV NYTT MASKINBATTERI

VARNING

De elektriska komponenterna i maskinen kan skadas allvarligt om batterierna installeras eller ansluts felaktigt. Batterierna får endast installeras av behörig personal. Beroende på vilken typ av batteri (VÅT eller GEL) som används, konfigurera kretskortet och den inbyggda laddaren (valfritt).



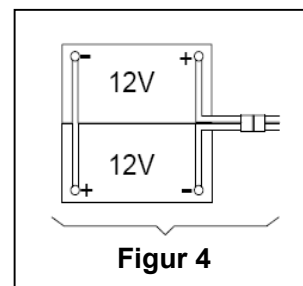
**Kontrollera om batteriet är skadad innan du installerar det.
Koppla ur batteriets kontakt och batteriladdarens kontakt.
Var försiktig när du rör batteriet.**

Denna maskin behöver två (2) 12V-batterier. Anslut på det sätt som visas i figur 4 till höger.
Denna maskin kan leverera följande modeller:

- a) När batterierna (VÅT eller GEL) är redan installerade och klara att användas.
 1. Kontrollera batteriet. Genom kontakten (9) anslut batteriet till maskinen.
 2. (Gäller endast AS430B och AS510B): Tryck ned på/av-knappen (41). Om den gröna lampan lyser, betyder det att batteriet är klart för användning. Om den gula eller röda lampan lyser, betyder det att batteriet måste laddas. (Se avsnittet om underhåll för åtgärder).

b) Utan batterier

1. Köp liknande batteri (se avsnittet om tekniska parametrar). Information om val av batteri kan fås från kvalificerade batteriförsäljare.



- Ställ in maskinen och den inbyggda batteriladdaren (om den medföljer) beroende på typ av batterier (VÅT eller GEL/AGM). Läs även följande stycke om hur man installerar batteriet.

INSTALLERA BATTERI OCH INSTÄLLNING AV BATTERITYP (VÅT ELLER GEL/AGM)

Beroende på typ av batteri (VÅT eller GEL), konfigurera kretskortet och den inbyggda laddaren.

Tillvägagångssätt är följande:

- Kontrollera att batterikontakten är frånkopplad. Om maskinen är konfigurerad på "AGM"-batteri när den lämnar fabriken, gå direkt till steg 8. I annat fall, slutför steg 2, 3 och 4.
- Ta av tömningsslangen (15)
- Om maskinen är utrustad med inbyggd laddare, ta av laddningssladden från rullen.
- Ta bort skyddslocket (5) och skruvarna till batterilocket (10). Ta bort skruvarna på mönsterkortets stöd. DIP-knappen (B) används för att ange batterityp och syns när man vänder på PCB-kortet. (Se figur 5)
- Justera mikro DIP-knappen (B) till "VÅT"-läge.
- Slutför steg 3, 4 och 5 i omvänd ordning.

Installera batterier

- Koppla ur batterikontakten (9).
- Öppna locket på återvinningsbehållaren (25) och kontrollera om den är tom eller inte. Om inte, töm den genom tömningsslangen (15).
- Skruva loss gummiskrapans vrede (16), ta av kontakten som ansluter vakuumröret (11) till gummiskrapan och ta sedan bort gummiskrapan.
- Skruva loss skruvarna på batterilocket (10) och ta bort locket.
- Skruva loss kontakten på gummiskrapans sladd (12) som är ansluten till gummiskrapans fäste (19) och häng upp gummiskrapans sladd.
- Häng upp tömningsslangen (15) och vakuumröret(11).
- Enligt batteriets storlek, tryck fästkortet i batterilådan hela vägen in.

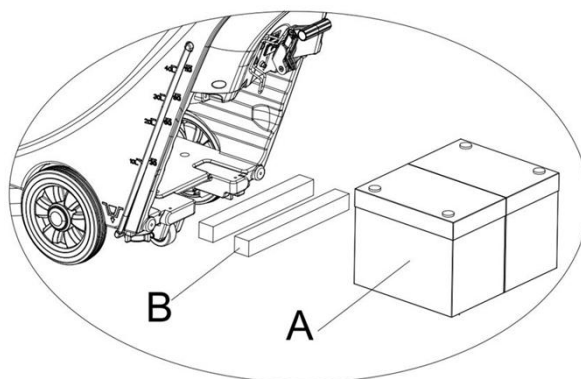


OBS!

Batteriets storlek får inte överstiga: H x B x L: 330 mm x 170 mm x 260 mm.

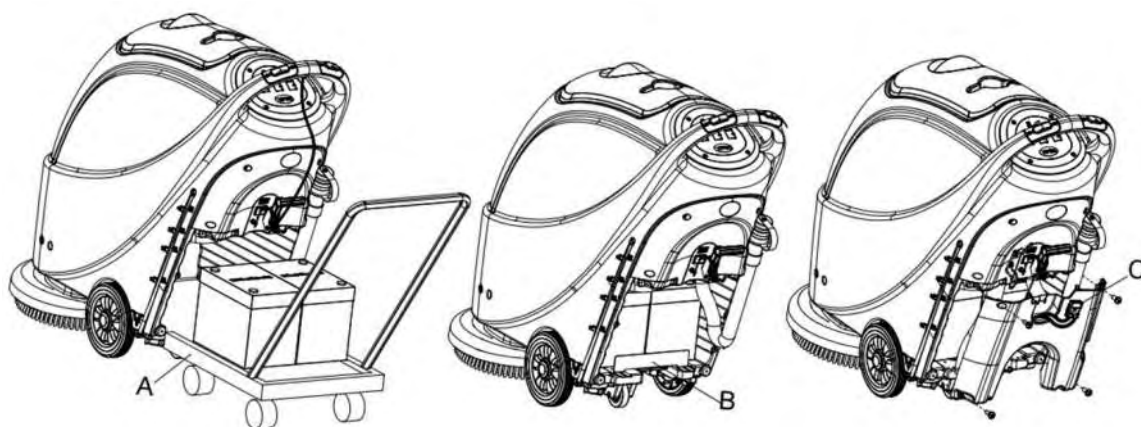
Med tanke på olika storlekar på batterier är kraven för val av fasta batterier följande:

- För batteri med en längd som understiger 270 mm, använd 2 bitar fästkort (B, figur 6) och placera dem sida vid sida i vattenbehållarens batteri.
- För batteri med en längd mellan 310 och 270 mm, använd 1 fästkort (B, figur 6) och placera det i vattenbehållarens batteri.
- För batteri med längd mellan 330 och 310 mm, behövs inte fästkortet.



Figur 6

- Installera batteriet med specialgjorda batteriinstallationsverktyg (A, figur 7). När batteriet är installerat, ta bort installationsverktyget och installera batteriets fäste (B, figur 7).



Figur 7

15. Sätt i batterikontakten (C, figur 7) genom hålet högst upp på batterilådans lucka, sätt in tömningsslangen genom höger hål i batterilådans lucka, sätt fast batterilådans lucka med 4 skruvar och installera sedan gummiskrapans sladd, tömnings slang och gummiskrapan.

Ladda batteriet

16. För att ladda batteriet (se stegen i avsnittet underhåll).

INNAN MASKINEN STARTAS

INSTALLERA OCH DEMONTERA BORSTE/DYNHÅLLARE



OBS!

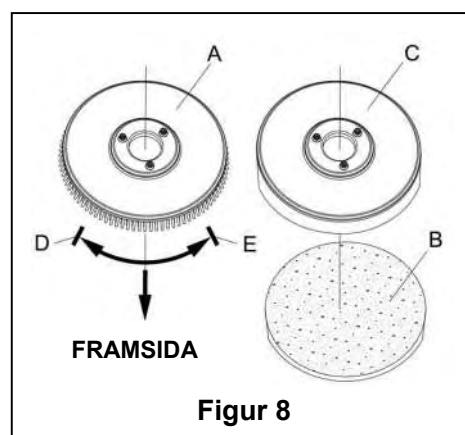
Beroende på vilken typ av golv som ska rengöras, kan maskinen installeras med borste (figur 8, A) eller en dynhållare (figur 8, B och C).



FÖRSIKTIGHET!

Vid manuell installation eller demontering av borste/dynhållaren, kontrollera först att alla knapparna är i avstängt läge och lyft gummiskrapan från golvet. Endast efter det kan man utföra arbeten på borste/dynhållaren. Använd skyddshandskar för att undvika skärsår.

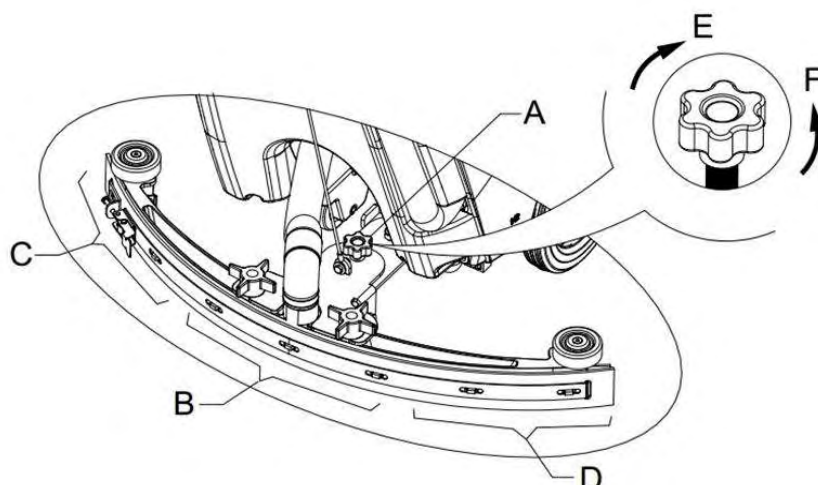
1. (Gäller endast **AS430B** och **AS510B**): kontrollera att knappen (41) är i avstängt läge (O).
2. Tryck ner styret (2) för att lyfta behållaren (26).
3. Placera borsten (A) eller dynhållaren (B-C) under höljet.
4. Använd styret (2) för att sänka behållaren (26) så att den kommer i kontakt med borsten eller dynhållaren.
5. För att installera borsten/dynhållaren automatiskt, tryck strömbrytaren (41) till "I"-läge och tryck på säkerhetsbrytaren (1). Tryck försiktigt maskinen framåt så att remhjulet längst ner på behållaren justeras med borsten eller dynhållaren som då kan installeras. Släpp sedan säkerhetsbrytaren. Vid behov upprepa proceduren tills borsten/dynhållaren installeras.
6. Om steg 5 ovan visar sig vara svårt, använd den manuella metoden genom att följa pilen (D) för att installera borsten/dynhållaren (som visas i figur 8).
7. För att lossa borsten/dynhållaren automatiskt, tryck strömbrytaren (41) till "O"-läge. Använd handen för att hålla styret och skjut maskinen nedåt tills styrhjulet vidrör golvet och borsten/dynhållaren hänger i luften. Tryck strömbrytaren (41) till "I"-läge och tryck på säkerhetsbrytaren så att borsten eller dynhållaren snurrar tills den ramlar ned på golvet.
8. Om steg nr 7 ovan visar sig vara svårt, använd den manuella metoden genom att vrida borsten/dynhållaren i motsatt riktning tills den kan tas av (som visas i figur 8).



Figur 8

JUSTERA BALANSEN PÅ GUMMISKRAPAN

9. Installera gummiskrapan och skruva fast den med vredet. Anslut sedan vakuumpumpens rör till gummiskrapan.
10. Justera gummiskrapan genom dess justeringshandtag (A) (se figur 9).
 - 1) Om det finns ett mellanrum mellan golvet och den mellersta delen av den bakre gummiskrapan (del B) eller trycket är relativt lätt, justera handtaget moturs tills hela längden på den bakre gummiskrapan berör golvet. Den främre gummiskrapan bör lätt kontakta med golvet.
 - 2) Om det finns ett mellanrum mellan golvet och de två ändarna på den bakre gummiskrapan (del C och D) eller trycket är relativt lätt, justera handtaget medurs tills hela längden på den bakre gummiskrapan berör golvet. Den främre gummiskrapan bör lätt kontakta med golvet.



Figur 9

Fylla på lösningsbehållaren



FÖRSIKTIGHET!

Endast lågskummande, kan ej brandfarliga rengöringsmedel får användas. Dessa rengöringsmedel måste vara lämpliga för skrubbmaskiner.

11. Öppna locket till vatteninloppet (27) och tillsätt vatten till lösningsbehållaren. Fyll inte på för mycket. Fylla upp till kanten av filterhållaren är tillräckligt. Vid förberedelse av rengöringslösningar, följ de utspädningsförhållanden som anges av tillverkaren och vattentemperaturen får inte överstiga 40 °C.

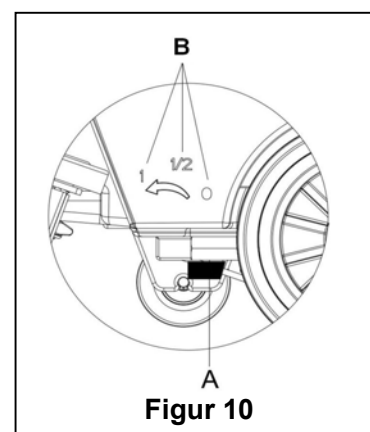
REGLERA VATTENFLÖDETS VOLYM



VARNING!

Reglering av kulventilens handtag (A, figur 10) måste göras när strömbrytaren (41) är i "O"-läge.

12. Vattenflödets volym kan justeras genom kulventilens handtag (A, figur 10) med tanke på den mängd vatten som behövs för att skura golvet.



Figur 10

START OCH STOPP AV MASKIN

Starta maskinen

1. Genomför de förberedande stegen enligt ovan.
2. Tryck på strömbrytaren (41) till "I"-läge.
3. Använd gummiskrapans handtag (41) för att sänka gummiskrapan.
4. Tryck på vakuumpumpens strömbrytare (42) till "I"-läge.
5. Tryck på kontrollknappen för vattenflödet (44) till "I"-läge. (Arbeta samtidigt med säkerhetsbrytaren (1) för att styra magnetventilens arbete.)
6. Håll säkerhetsbrytaren (1) och skjut maskinen så att den flyttas. Borsten (29) börjar rotera och maskinen börjar sitt rengöringsarbete.

**RÅD: Hur man skjuter maskinen**

En av egenskaperna hos maskinen är installationen av två brytare på styrets båda sidor. Varje säkerhetsbrytare kan självständigt kontrollera borstens drift. Det underlättar kontroll av maskinens drift.

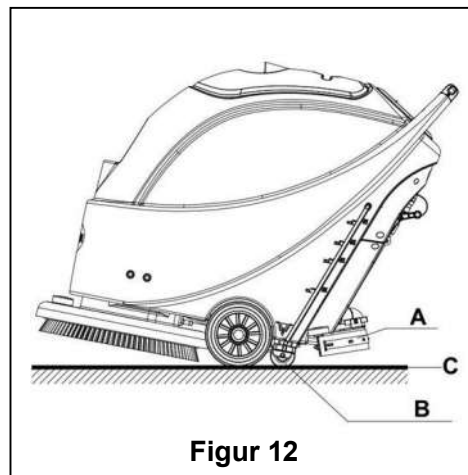
Den metod som är mest lämplig för att flytta maskinen visas i figur 11. Den är mer bekväm för användaren och minskar arbetströtthet. Användare rekommenderas att flytta maskinen på detta sätt.



Figur 11

Stänga av maskinen.

7. När du är klar med maskinen, lossa först borsten/dynhållaren (se stegen i avsnittet om installation och avmontering av borsten/dynhållaren).
8. Frigör säkerhetsbrytaren (1) för att stänga av borsten/dynhållaren och magnetventilen.
9. Tryck på vakuumpumpens knapp (42) till "O"-läget och vakuumpumpen fördröjs i 5 sekunder innan den slutar köras.
10. Tryck på kontrollknappen för vattenflödet (44) till "O"-läget för att helt stänga av magnetventilen.
11. Tryck på strömbrytaren (41) till "O"-läge.
12. Lyft upp gummiskrapan med hjälp av lyfthandtaget (14).
13. Ta tag i styret (2) och luta maskinen försiktigt bakåt tills styrhjulet (B) vidrör golvet. Se figur 12



Figur 12

MASKINDRIFT (RENGÖRING OCH TORKNING)

1. Starta maskinen enligt beskrivningen ovan.
2. Håll säkerhetsbrytaren (1) (på det sätt som visas i **figur 11**), tryck för att flytta maskinen och starta rengöringen.
3. Vid behov, stäng av maskinen och justera regleringshandtaget på gummiskrapan. (Se stegen för att justera balansen på gummiskrapan)
4. Vid behov, stäng av maskinen och justera vattenflödet med hjälp av handtaget på kulventilen. (Se stegen för att justera volymen av vattenflödet.)

**FÖRSIKTIGHET!**

För att undvika att skada golvet, när maskinen stannar på ett ställe utan att flytta, stäng av strömbrytaren (41).

Batteriurladdning under drift

5. Det är först när den gröna varningslampan (38) lyser som batteriet räcker för normal drift av maskinen.

OBS!

När alla fyra gröna lamporna (38) lyser, betyder det att batteriet är fulladdat.

När bara den sista gröna lampan (38) lyser och börjar blinka, bör maskinen laddas så den stannar automatiskt efter några minuter.

När den sista gröna lampan (38) stängs av och den röda lampan (39 och 40) börjar blinka, stannar maskinen automatiskt efter några sekunder. (Se stegen i avsnittet underhåll).

**FÖRSIKTIGHET!**

Använd inte maskinen när batteriförsörjningen inte är tillräcklig för att undvika skador på batteriet och förkorta dess livslängd.

TÖMMA BEHÅLLAREN

När återvinningsbehållaren är full, blockerar en flottör i den automatiska flytande avstängningsenheten (36) inloppet till vakuumpumpen. Om bullret från vakuumpumpen plötsligt ökar betyder det att vakuumpumpen är överbelastad och en omedelbar tömning av smutsvattnet behövs.

FÖRSIKTIGHET!



Om vakuumpumpen stängs av plötsligt (t.ex. eftersom maskinen plötsligt flyttas som leder till en aktivering av flottören) och om ett återupptagande av driften behövs, utför följande steg: Tryck på strömbrytaren (41 och 42) för att stänga av strömmen och vakuumpumpen och öppna återvinningsbehållarens lock (25) för att kontrollera om flottören har återvänt till vattenytan. Stäng sedan locket på återvinningsbehållaren (25) och tryck på strömbrytaren (41 och 42) för att slå på strömmen och vakuumpumpen.

När återvinningsbehållaren är helt full med smutsvatten, utför följande steg för att tömma den.

Tömma återvinningsbehållaren

1. Stäng av maskinen.
2. Använd gummiskrapans handtag (14) för att lyfta upp gummiskrapan.
3. Flytta maskinen till en avsedd tömningsplats.
4. Ta tag i styret (2) och luta maskinen försiktigt bakåt tills styrhjulet (B) vidrör golvet. (För dockning av maskinen se avsnittet i stoppa maskinen.)
5. Ta av tömningsslangen från fästet, böj den övre änden av slangen (som visas i **A, figur 13**) och öppna sedan locket på tömningsslangen, sänk tömningsslangen till en låg nivå eller lägg den på marken för att tömma vattnet. Eller sänk tömningsslangen till en låg nivå eller lägg den på marken så att vattenutloppet är vänt nedåt (som visas i **B, figur 13**) och öppna sedan locket på tömningsslangen så att smutsvattnet rinner ut. Efter att tömningen är klar, använd rent vatten för att rengöra insidan av återvinningsbehållaren.

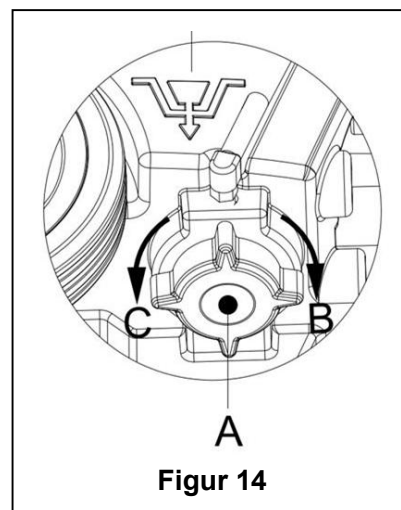
FÖRSIKTIGHET!



När man tömmer smutsvatten, måste vakuurröret fällas ihop eller sänkas till en lägre position (som visas i figur 13 A eller B) och öppna sedan locket till vakuurrör för att tömma vattnet. Låt inte vakuurröret vara vänt uppåt för att tömma vattnet till ett vertikalt utlopp. Detta är att undvika att smutsvatten rinner ut på operatören.

Tömma lösningsbehållaren

6. Utför steg 1 till 4.
7. Som visas i **figur 14**, öppna locket till lösningsbehållaren (A) genom att vrida moturs mot riktning C och töm lösningsbehållaren helt. Använd rent vatten för att rengöra insidan av lösningsbehållaren. När arbetet är färdigt, vrid fast locket till lösningsbehållaren (A) medurs i riktning B.



EFTER ATT HA ANVÄNT MASKINEN

När arbetet är utfört och innan man lämnar maskinen, utför följande steg:

1. Följ proceduren som beskrivs i ovan nämnda avsnitt om installation och demontering av borsten/dynhållaren och ta bort borsten/dynhållaren.
2. Följ de åtgärder som beskrivs i relaterade avsnitt, töm vattnet helt i lösningsbehållaren och återvinningsbehållaren.
3. Genomför dagligt underhåll (se avsnittet om underhåll).
4. Förvara maskinen med borst-/dynhållaren och gummiskrapan på en ren och torr plats. Gummiskrapan bör lyftas upp eller tas bort.

PERIODER AV INAKTIVITET

Om maskinen inte kommer att användas i mer än 30 dagar, utför åtgärderna nedan:

1. Slutför nödvändiga åtgärder som bör utföras efter att maskinen använts.
2. Koppla ur kontakten (9) som ansluter batteriet och maskinen.
3. För att inte skada batteriet och om maskinen är inte ska användas i mer än 3 månader, ladda batteriet en gång var 3:e månad.

ANVÄNDNING FÖR FÖRSTA GÅNGEN

Efter drift under de första 9 timmarna, kontrollera alla delar för att se till att ingenting har lossnat eller skadats och kontrollera om det finns några synliga skador eller läckage.

UNDERHÅLL OCH SKÖTSEL

Maskinens livslängd och maximala driftsäkerhet säkerställs av korrekt och lämpligt underhåll och skötsel. Följande tabell ger en allmän underhållsplan för maskinen. Tidsintervall för underhåll bestäms i stor utsträckning av maskinens driftsförhållanden. Dessa intervall bör utformas av personalen som ansvarar för underhåll.



VARNING!

Först efter strömmen till maskinen är avstängd och anslutningen mellan maskinen och batteriet är frångkopplad bör dessa åtgärder utföras. Innan underhåll utförs, läs noggrant igenom avsnitten om säkerhet.

Allt underhåll i planen eller allt extra underhåll måste utföras av kvalificerad personal eller auktoriserade servicecentra.

Denna handbok gäller endast för enkla och vanliga underhållsrutiner.

För eventuella underhållsrutiner än de som anges i den här tabellen för planerat underhåll, se handboken för underhåll på servicecentret.

TABELL ÖVER PLANERAT UNDERHÅLL

Åtgärd	Dagligen, maskin efter användning	Varje vecka	Varje halvår	Årligen
Ladda batteri				
Rengör gummiskrapa				
Rengör borst-/dynhållare				
Rengör vattenbehållaren och flytande vattenfilter, kontrollera vattenbehållarens försegling				
Kontrollera och byt ut gummiskrapans blad				
Rengör lösningsfilter				
Rengör vakuumpumpens filter				
Kontrollera vätskenivån av VÅT-batteri				
Kontrollera att skruvar och muttrar är åtdragna			(1)	
Kontrollera eller byt ut motorns kolborste på borst-/dynhållaren				(2)
Kontrollera eller byt ut kolborsten på vakuumpumpen				(2)

(1) Det ska göras 9 timmar efter att maskinen börjat arbeta.

(2) Dessa underhållsåtgärder måste utföras av en auktoriserad VIPER serviceverkstad.

BATTERILADDNING

**OBS!**

Det är dags att ladda batteriet när den gula eller röda varningslampan lyser eller varje gång när arbetet utförts.

**FÖRSIKTIGHET!**

Håll batteriet i ett fulladdat tillstånd för att förlänga livslängden på batteriet.

**FÖRSIKTIGHET!**

När strömmen i batteriet inte räcker till, måste batteriet laddas så snart som möjligt. Kontrollera laddaren minst en gång i veckan.

**FÖRSIKTIGHET!**

Om en inbyggd laddare inte medföljer, välj en lämplig extern laddare till batteriet.

**VARNING!**

Var försiktig när du laddar batteriet eftersom syra kan läcka under laddningen. Batterisyra är frätande. Om den kommer i kontakt med hud eller ögon, skölj med mycket vatten och gå till läkaren.

- Öppna locket till återvinningsbehållaren (25) och kontrollera om den är tom eller inte. Om den inte är tom, töm den genom tömningsslangen. (15).
- Flytta maskinen till ett angivet laddningsområde.
- Stäng av maskinen genom att trycka strömbrytaren (41) till "O"-läge.
- Endast gäller för VÅT-batteri med vatten
 - Kontrollera nivån av elektrolyt inuti batteriet. Vid behov, fyll på den genom locket.
 - Håll alla lock öppna.
 - Rengör batteriets övre yta vid behov.
- Välj en av följande procedurer för att ladda batteriet enligt den typ av batteri som används.

Ladda ett batteri med en extern laddare

- Kontrollera i handboken om den externa laddaren är lämplig. Utspänningen måste vara DC 24V.
- Anslut batterikontakten till den externa kontakten och anslut den externa kontakten till elnätet.

8. När laddningen är klar, anslut batteriladdningskontakten till maskinen.

Att ladda ett batteri med en inbyggd laddare (valfri)

9. Ta bort gummlocket i slutet av batteriladdningskontakten.
10. Anslut batteriladdarens kontakt till elnätet med en laddningskabel. (Kontrollera om är spänningen på den inbyggda laddaren är 220 V-240 V och utspänningen är 24V och att frekvensen uppfyller kraven.) När laddaren är ansluten till elnätet, kommer att alla andra funktioner kopplas från automatiskt. Om den röda varningslampan på den inbyggda laddaren fortsätter att blinka, betyder det att batteriet laddas.
11. När den gröna varningslampan (47) lyser, betyder det att batteriladdningen är klar.
12. När laddningen är klar, ta av anslutningskabeln från slutet av batteriladdningskontakten och elnätet, och sätt på gummlocket.
13. Koppla bort laddningskabeln från elnätet och vira runt kabeln på rullen (6).



OBS!

För mer information om den inbyggda laddaren (35), läs tillhörande handbok.

RENGÖRING AV GUMMISKRAPA



OBS!

För att bibehålla den optimala effekten av vattenvakuum, måste gummiskrapan hållas ren och gummiskrapans blad hållas i gott skick.



FÖRSIKTIGHET!

Vid rengöring av gummiskrapan, rekommenderar vi att man använder skyddshandskar eftersom gummiskrapan kan ha vassa delar.

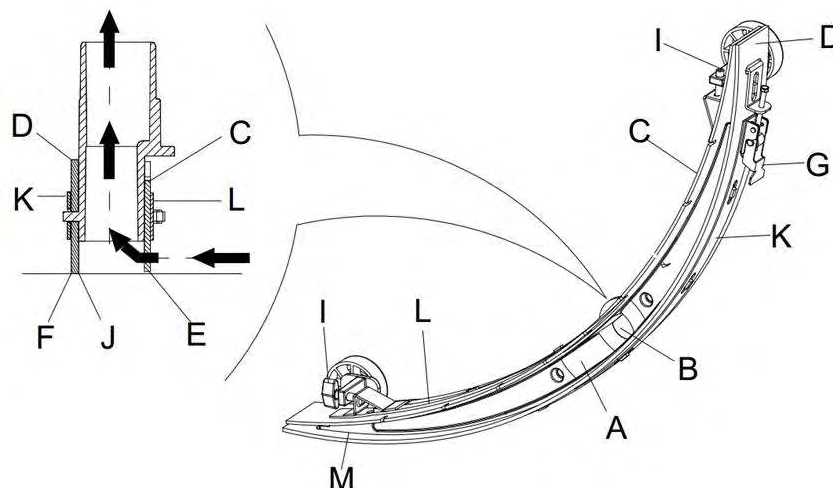
1. Flytta maskinen till en plan och jämn yta.
2. Stäng av maskinen genom att trycka strömbrytaren (41) till "O"-läge.
3. Skruva loss gummiskrapans vrede (16), ta av kontakten som ansluter vakuumsröret till gummiskrapan och ta sedan bort gummiskrapan.
4. Lyft upp gummiskrapan med hjälp av lyfthandtaget (14).
5. Rengör gummiskrapan (figur 15). Rengör i särskilt noga fåran (A, figur 15) och ta bort smuts och fragment från vakuumsröret. Kontrollera om den främre gummiskrapans blad (C) och den bakre gummiskrapans blad (D) är hela, och att det inte finns några trasiga kanter och sprickor. Byt ut dem om det behövs (se stegen i avsnittet nedan).
6. Installera gummiskrapan i omvänd ordning.

KONTROLL OCH UTBYTE AV GUMMISKRAPANS BLAD

1. Rengör gummiskrapan genom att följa tillvägagångssätten i föregående avsnitt (figur 15)
2. Kontrollera kanten (E, figur 15) på den främre gummiskrapans blad och kanten (F) på den bakre gummiskrapans blad (D). På hela längden, bör de vara på samma nivå. I annat fall justera deras höjder genom följande procedur.
 - Lossa klämman (G) så att den bakre gummiskrapans blad (D) lossnar från fästet (M) för att justera gummiskrapans läge. Efter justeringen, sätt fast fästet igen.
 - Lossa skruven på handtaget (I) för att justera den främre gummiskrapans blad (C). Dra åt handtaget efter justering.
3. Kontrollera om den främre gummiskrapans blad (C) och den bakre gummiskrapans blad (D) är hela, och att det inte finns några trasiga kanter och sprickor. Vid behov, byt ut dem enligt följande sätt. Kontrollera om den främre kanten på den bakre gummiskrapans blad (J) är utsliten. Om den är utsliten, den kan installeras upp och ner (överkanten måste vara intakt). Om den övre kanten också är utsliten, byt ut den genom att följa anvisningarna nedan:
 - Lossa klämman (G) så att tryckplattan lossnar från fästet (M), ta bort klämman (K), och byt sedan ut eller vänd den bakre gummiskrapans blad (D) upp och ner. Montera tillbaka det bakre bladet i omvänd ordning.
 - Lossa handtagets skruv (I) och ta bort den främre klämman (L) och byt sedan ut den främre gummiskrapan (C).
Montera tillbaka det främre bladet i omvänd ordning.

Efter att ha bytt ut gummiskrapans blad (eller monterat dem upp och ner), justera nivån på de främre och bakre bladen enligt de förfaranden som beskrivs ovan.

4. Anslut sugslangen (11) till gummiskrapan.
5. Installera gummiskrapan och använd vredet (16) för att skruva fast den och anslut sedan sugslangen till gummiskrapan.
6. Om nödvändigt, justera gummiskrapan genom justeringsratten (20) (se förfarandena för att justera gummiskrapans balans).



Figur 15

RENGÖRING AV BORSTE/POLERINGSDYNA



FÖRSIKTIGHET!

Vid rengöring av borsten/dynhållaren rekommenderas att man använder skyddshandskar eftersom de kan innehålla vassa fragment.

1. På samma sätt som visades i tidigare avsnitt, ta bort borsten/dynhållaren.
2. Rengör borst-/dynhållaren med vatten och rengöringsmedel.
3. Kontrollera att borsten är hel och att stråna inte är utnötta och byt ut borsten om det behövs.
4. Kontrollera att dynan inte är utnött och byt ut dynan om det behövs.

RENGÖRING AV VATTENBEHÅLLARE OCH OCH FLYTANDE FILTER

1. Flytta maskinen till en avsedd tömningsplats.
2. Stäng av maskinen genom att trycka strömbrytaren (41) till "O"-läge.
3. Öppna återvinningsbehållarens lock (A, figur 16), och ta bort flytenheten (36) från återvinningsbehållaren.
4. Använd rent vatten för att rengöra återvinningsbehållarens lock (A), behållaren (B och C), och det flytande filtrets stödrum (E). Töm allt vatten från återvinningsbehållaren genom återvinningsröret (15).
5. Vid behov, följ symbolerna "Öppna" och "Stäng" som visas i figur 17 för att öppna bottenlocket (F) på flottörfiltret och rengör sedan flottören (D), filtrets stödrum (E) och filterdynan (I). Efter rengöring, sätt fast flottören (D) i filtrets stödrum (E) och justera sedan märskåran (L) på det nedre locket (F) av filtret med märskåran (L) på filtrets stödrum (E). Skruva fast bottenlocket (F) på flottörfiltret och sätt fast filterdynan (I) på stödrumen (E) och sedan på sugslangen (M).
6. Kontrollera att tätningeringen (G) på återvinningsbehållarens lock är hel.

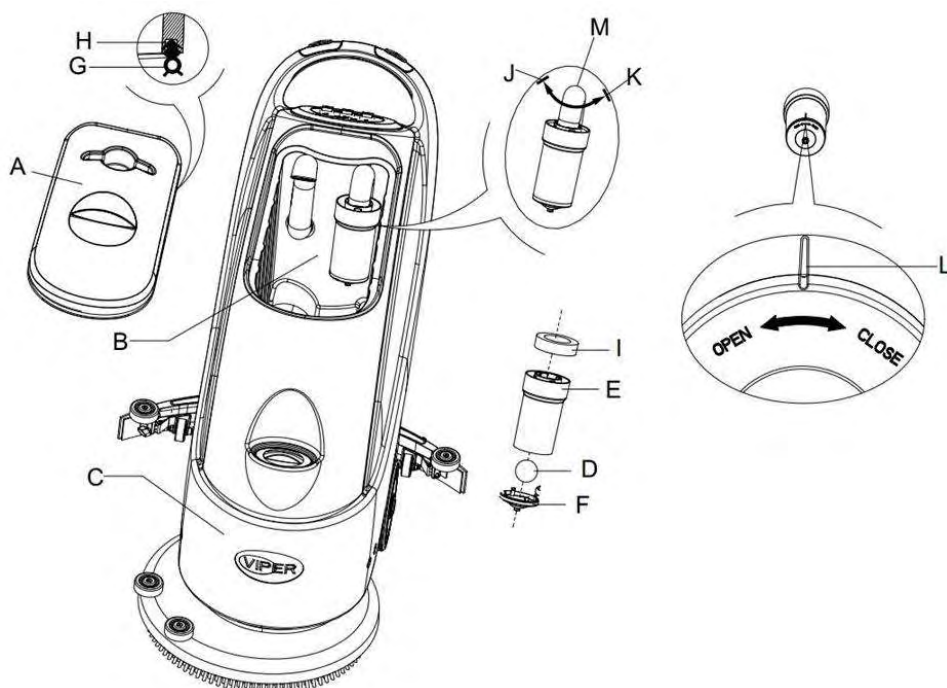


OBS!

Förseglingen (G) på vattenbehållaren gör att den skapar ett vakuum. Den måste vara helt förseglad för att kunna effektivt suga upp smutsvattnet från golvet.

Om nödvändigt, kan tätningen på vattenbehållaren (G) tas från skåran (H) och bytas ut. Vid montering av en ny tätning, som visas i figur 16 nedan, installera kontakten till den mellersta delen av den bakre delen.

7. Kontrollera att tätningen (G) på mottagande yta är intakt och tät.
8. Stäng locket till återvinningsbehållaren (A).



Figur 16

RENGÖRING AV LÖSNINGSFILTER

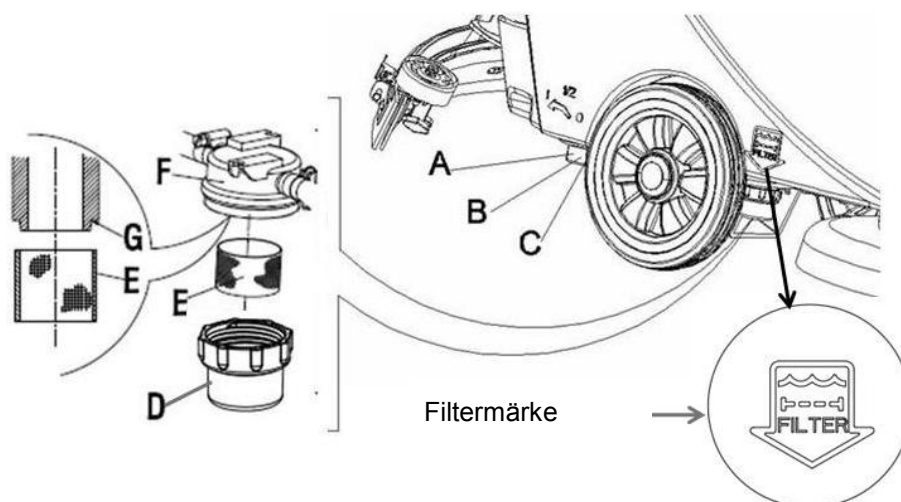
1. Töm allt vatten från lösningsbehållaren på samma sätt som visades i motsvarande avsnitt.
2. Flytta maskinen till en plan och jämn yta.
3. Stäng av maskinen genom att trycka strömbrytaren (41) till "O"-läge.
4. Stäng av kulventilen (A, figur 17) (ligger på botten av maskinen, bakom hjulen). Läge B - kulventil öppen och läge C - kulventil stängd.
5. Ta av det genomskinliga locket till ventilen (B), och ta sedan bort filtret (C), installera dem till filterlådan (D) efter rengöring.



OBS!

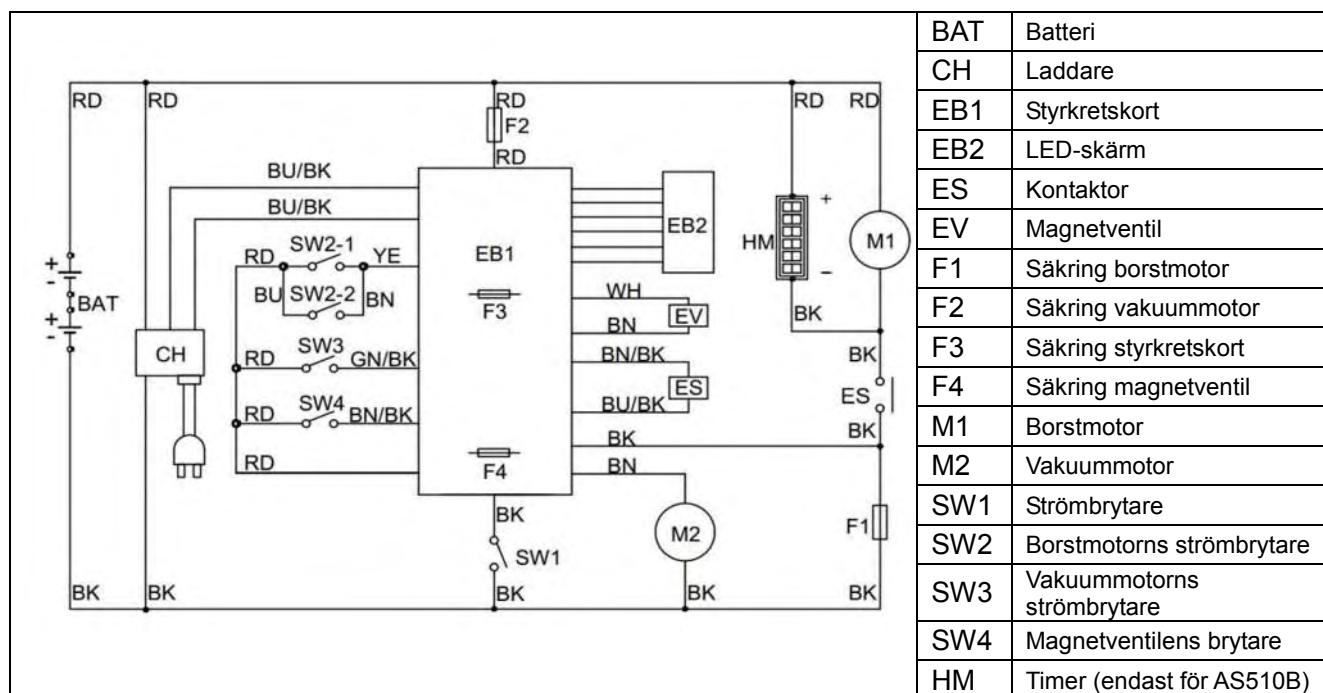
Filtret (E) måste installeras korrekt i läge för projektion (G).

6. Öppna kulventilen (A).



Figur 17

KRETSSCHEMA FÖR AS430B OCH AS510B



FÄRGKODER

RD: Röd	BN: Brun	BU/BK: Blå/svart
BU: Blå	YE: Gul	GN/BK: Grön/svart
BK: Svart	WH: Vit	BN/BK: Brun/svart

FELSÖKNING

Problem	Möjliga orsaker	Åtgärder
Maskinen fungerar inte Indikatorlampan är inte på	Batterikontakten (9) är inte ansluten.	Koppla in batterikontakten
	Batteriet är redan urladdat	Ladda batteriet
Varningslampa (39 eller 40) blinkar	Borstmotorn är överbelastad	Byt till en mjuk borste för att anpassa till golvet som rengörs
	Andra material hindrar borsten från att snurra	Rengör borsten
Borsten fungerar inte	Borsten säkring har gått	Återställ
	Remmen glider	Kontrollera remmen, justera remskivans spänning
Vakuummotorn fungerar inte	Vakuummotorns säkring har gått	Återställ
Ej tillräcklig sugeffekt	Smutsvattenbehållaren är full.	Töm vattenbehållaren
	Vakuumröret och gummiskrapan är inte ordentligt anslutna	Anslut vakuumröret till gummiskrapan.
	Flytande filter blockerat eller inlopp blockerat	Rengör flytande filter, kolla flottörbollen
	Gummiskrapan är smutsig eller gummiskrapans blad är utslitna och skadade	Rengör och kontrollera gummiskrapan
	Locket på återvinningsbehållaren är inte korrekt påslagen eller så är tätningen skadad	Sätt tillbaka locket ordentligt eller byt ut tätningen
Rent vattentillförsel till borsten är inte tillräckligt	Smutsigt filter.	Rengör filtret
Gummiskrapan lämnar märken	Skräp under gummiskrapans blad	Ta bort skräpet
	Gummiskrapans blad är redan utslitna, trasiga och spröda.	Byt ur gummiskrapans blad
	Balansen i gummiskrapan är inte justerad	Justera balansen

OBS!



Om maskinen installeras med den inbyggda laddaren och den inbyggda laddaren är defekt, kan maskinen inte användas.

Om den inbyggda laddaren är defekt, kontakta en auktoriserad underhållsverkstad. För mer information, se underhållshandboken (tillgänglig på alla VIPER underhållsverkstäder).

BORTSKAFFANDE AV MASKIN

Använd en kvalificerad krossmaskin för att förstöra denna maskin.

Innan du förstör denna maskin, ta bort och segregera följande material som, enligt gällande lagar och regler, måste bearbetas på ett korrekt sätt.

- Batteri
- Borst-/dynhållare
- Plastslangar och plastkomponenter
- Elektriska och elektroniska komponenter (*)

(*): Kontakta din närmaste VIPER-verkstad (särskilt när skrotning av elektriska och elektroniska komponenter krävs).

INNHold

INNLEDNING	331
HÅNDBOKENS INNHold	331
FORMÅL MED HÅNDBOKEN.....	331
RESERVEDELER OG VEDLIKEHOLD	331
ENDRINGER OG FORBEDRINGER	331
BRUKSOMRÅDE	331
IDENTIFIKASJONSDATA.....	331
UTPAKKING/TRANSPORT	331
GENERELLE SIKKERHETSANVISNINGER.....	332
TEKNISKE DATA.....	333
MASKINBESKRIVELSE	333
MASKINSTRUKTUR	333
TEGNING AV MASKINSTRUKTUR	334
BETJENINGSPANEL	334
LADEINDIKATORER.....	335
BRUKERVEILEDNING	335
MONTERING OG INNSTILLING AV BATTERI I EN NY MASKIN	335
MONTERING OG INNSTILLING AV BATTERITYPE (VÅT ELLER GEL/AGM).....	336
GØR START AV MASKINEN.....	337
MONTERE OG FJERNE BØRSTE/PAD-HOLDER	337
JUSTERING AV NALBALANSEN	338
REGULERING AV VANNMENGDEN	338
START OG STOPP AV MASKINEN	338
MASKINDRIFT (SKURING OG TØRKING).....	339
TØMMING AV TANKEN	339
ETTER BRUK AV MASKINEN	340
LENGRE PERIODER UTEN BRUK.....	340
FØRSTEGANGS BRUK.....	341
VEDLIKEHOLD	341
VEDLIKEHOLDSPPLAN	342
BATTERILADING	342
RENGJØRING AV NAL	343
SJEKK OG SKIFT AV NAL	343
RENGJØRING AV BØRSTE/PAD-HOLDER.....	344
RENGJØRING AV VANNTANK OG FLOTTØRFILTER.....	344
RENGJØRING AV VANNFILTER	345
KOBLINGSSKJEMA FOR AS430B OG AS510B	346
FEILSØKING	347
AVHENDING AV MASKINEN	347

INNLEDNING



MERK

Tallene i parentes viser til de tilknyttede komponentene som er vist under "Maskinbeskrivelse".

HÅNDBOKENS INNHOLD

Denne håndboken inneholder nødvendig informasjon for bruk og sikkerhet som er viktig for den som bruker maskinen. Informasjonen omfatter tekniske data, sikkerhet, drift, lagring, vedlikehold og avhending av maskinen. Operatøren og kvalifisert servicepersonell må studere denne håndboken nøye før maskinen tas i bruk eller utføres vedlikehold på. Ta kontakt VIPER for spørsmål om innholdet i denne håndboken, eller dersom det ønskes ytterligere relatert informasjon.

FORMÅL MED HÅNDBOKEN

Formålet med denne håndboken er å hjelpe operatøren og kvalifisert servicepersonell til å bruke og utføre vedlikehold maskinen.

Operatøren må ikke utføre prosedyrer som i utgangspunktet skal gjøres av servicepersonell. VIPER påtar seg intet ansvar for eventuelle skader forårsaket av brudd på dette punktet.

RESERVEDELER OG VEDLIKEHOLD

All bruk, vedlikehold og reparasjoner må utføres av kvalifisert servicepersonell, eller ved et av VIPER sine servicesentre.

Det skal KUN brukes godkjente reservedeler og tilbehør.

Hvis det ønskes service, eller bestilling av reservedeler eller tilbehør, vennligst ta kontakt med VIPER og oppgi modellnummer og serienummer på maskinen.

ENDRINGER OG FORBEDRINGER

VIPER sine produkter gjennomgår kontinuerlige forbedringer. VIPER forbeholder seg retten til å gjøre endringer på og forbedre maskinene, samt retten til etter eget skjønn å avgjøre om fordelene som følge av endringene er relevant for de produktene som allerede er solgt. Alle endringer eller ekstra tilbehør må avtales med og utføres av VIPER.

BRUKSOMRÅDE

Gulvvaskeren er ment for bruk i hjemmet og i industrielle miljøer, og er egnet for rengjøring av glatte og harde gulv (skuring og vannoppsamling). Den må brukes av kvalifiserte operatører og i trygge omgivelser. Gulvvaskeren skal ikke brukes til rengjøring utendørs, på tepper, eller på relativt grovstrukturerte gulv.

IDENTIFIKASJONSDATA

Maskinmodell og serienummer er merket på typeskiltet (4).

Denne informasjonen er nyttig når det skal bestilles reservedeler til maskinen. Noter ned identifikasjonsdataene i følgende tabell.

MASKINMODELL.....
MASKIN SERIENUMMER.....

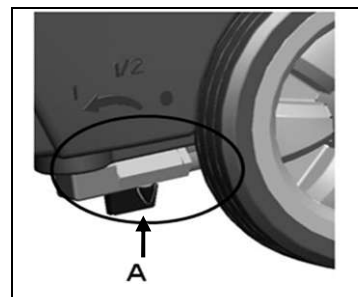
UTPAKKING/TRANSPORT

Følg instruksjonene på emballasjen ved utpakking.

Ved levering må emballasjen og maskinen sjekkes for å sikre at maskinen ikke er påført transportskader. Hvis oppdages noen synlige skader, må du beholde det originale fraktbrevet og be transportøren om å bekrefte skadene og fylle ut en liste over skader for kompensasjon.

– FORSIKTIG

Ved utpakking og lossing, eller ved flytting av maskinen ved å skyve den, må det sørges for å unngå å trykke på av/på-bryteren som styrer vannstrømmen, del A i figuren til høyre.



Sjekk at følgende elementer følger med maskinen:

1. Teknisk dokumentasjon
 17. Brukerhåndbok
 18. Innebygd lader (dersom relevant)
2. Ladekontakt (hvis maskinen ikke er utstyrt med innebygd lader, er den på den eksterne laderen)

GENERELLE SIKKERHETSANVISNINGER

Nedenfor følger advarsler og merknader om potensiell risiko for skade (personell og maskin):



ADVARSEL!

42. Maskinen må kun brukes i henhold til informasjonen i denne håndboken. Det skal kun brukes tilbehør som er godkjent av VIPER.
43. Denne maskinen skal kun brukes av behørig kvalifisert eller autorisert personell. Maskinen skal ikke brukes av barn eller andre som ikke er kvalifisert til å bruke den.
44. Under normal bruk kan batteriet avgi brennbar gass. Batteriet må holdes borte fra utstrålende, lysende og brennende elementer, samt gnister. Når maskinen er i bruk, må det sørges for at omgivelsene er godt ventilerte og at maskinen ikke brukes i nærheten av åpen ild. Røyking forbudt i maskinens umiddelbare nærhet ved lading.
45. Koble fra batteriet før det utføres noe som helst av vedlikehold/reparasjoner på maskinen.
46. Før batteriladeren tas i bruk, må det sjekkes at verdiene for frekvens og spenning som er oppgitt på typeskiltet på maskinen, samsvarer med verdiene for strømmettet.
47. Ved arbeid i nærheten av elektriske deler må du ikke være iført smykker. Ta alle nødvendige forholdsregler for å unngå at hår, smykker og løstsittende klær kan bli dratt inn i bevegelige deler på maskinen.
48. Ikke bruk maskinen på svært skitne steder. Ikke vask maskinen med direkte vannstråle. Ikke la maskinen komme i kontakt med etsende væsker.
49. Omgivelsestemperaturen ved lagring og drift må være mellom 0 og 40°C.
50. Luffuktigheten må være mellom 30% og 105%.
51. Ikke bruk maskinen i hellinger som overskrider 2%.
52. Dersom det oppstår brann, bruk pulverapparat for å slukke den. Ikke bruk væskebaserte brannslukningsapparater.
53. Ta ekstra forholdsregler hvis maskinen skal transporteres ved temperaturer under 0°C. Vanntanken og vannet i slangene kan fryse til, og forårsake alvorlige skader på maskinen.
54. Bruk børster og pads som følger med maskinen eller som er definert i håndboken. Bruk av andre børster eller pads kan redusere sikkerheten.
55. Ved maskinfeil må det sjekkes at feilen ikke har oppstått på grunn av manglende vedlikehold. Hvis feilen er forårsaket av andre faktorer, kan du be om hjelp fra autorisert personell eller et servicesenter.
56. Hvis det blir fastslått at det må byttes ut deler, må du bestille originale reservedeler fra autoriserte forhandlere eller representanter.
57. For å sikre en trygg og korrekt bruk av maskinen, må enten autorisert personell eller et servicesenter utføre planlagt vedlikehold i henhold til vedlikeholdsplanen som beskrevet i denne håndboken.
58. Denne maskinen må avhendes forsvarlig da det kan finnes giftige og farlige materialer i den (batterier, etc.). Sådanne materialer må leveres til spesialmottak i samsvar med gjeldende lover og forskrifter (se delen som omhandler avhending).

TEKNISKE DATA

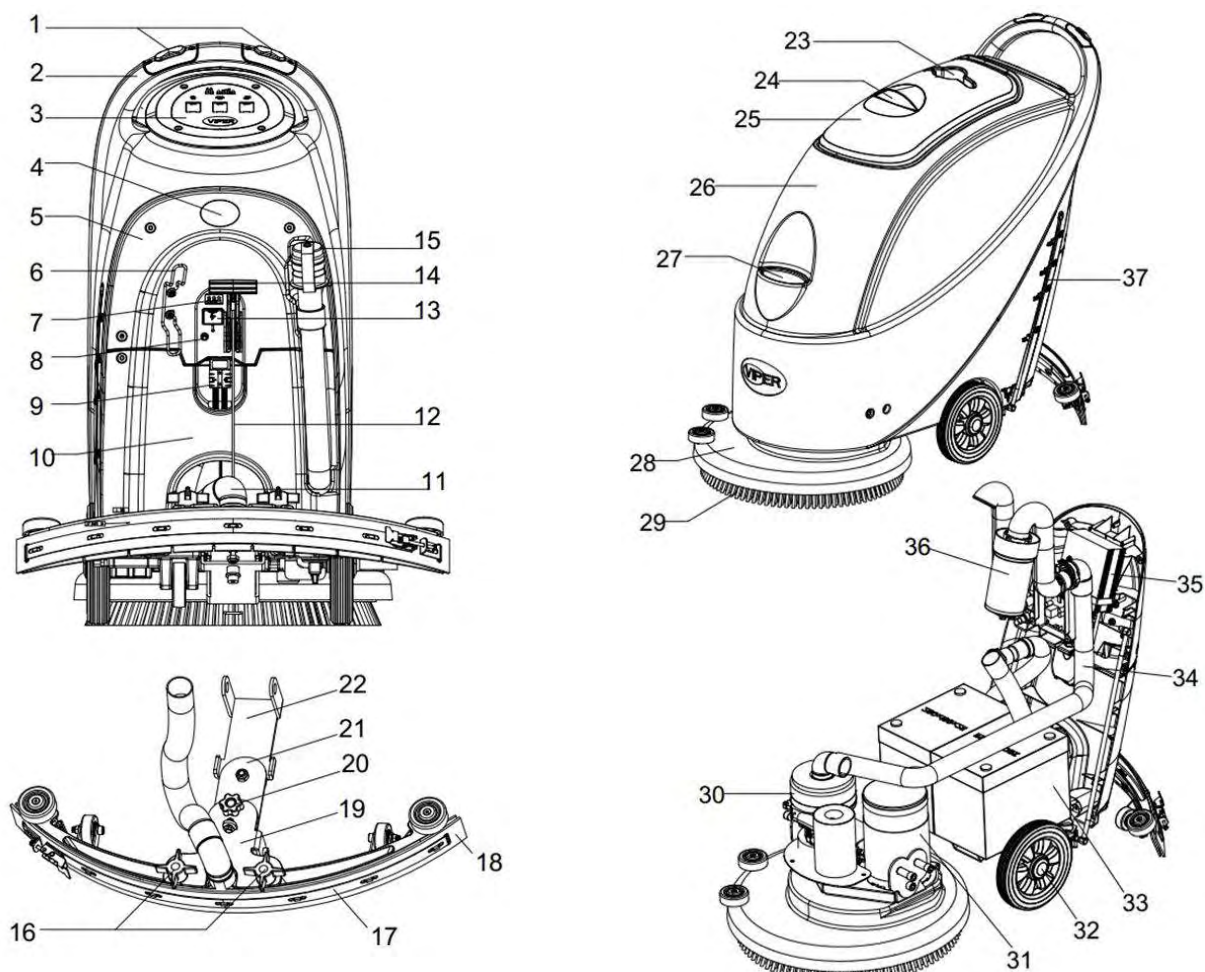
Modell	AS430B	AS510B
Maskinhøyde	980 mm	
Kapasitet på vanntank	40 liter	
Kapasitet på oppsamlingstank	40 liter	
Diameter på transporthjul	200 mm	
Diameter på styrehjul	76 mm	
Sugemotoreffekt	350 W	
Maks stigningsvinkel ved bruk	2%(maks)	
Lydtrykknivå ved arbeidsposisjon	70dB(A) ±3dB(A)	
Standard batterier	(2×12V) 24V 85Ah AGM	(2×12V) 24V 105Ah AGM
Størrelse på batterirom (B x L x H)	340 x 330 x 260 mm (maks)	
Sugeeffekt	1200 mm H ₂ O	
Rengjøringsbredde	430 mm	510 mm
Nalbredde	730 mm	790 mm
Maks maskinlengde	1060 mm	1100 mm
Maskinbredde uten nal	480 mm	540 mm
Børstediameter	430 mm	510 mm
Vekt med batterier og tomme tanker	112 kg	128 kg
Bruttovekt på bruksklar maskin	152 kg	168 kg
Børstemotoreffekt	550W	560W
Børstehastighet	150 o/min	
Maks press på børste/pad-holder	30kg (maks)	35kg (maks)
Emballasjedimensjoner (L x B x H)	1200 x 610 x 1170 mm	

MASKINBESKRIVELSE**MASKINSTRUKTUR**

- | | |
|--|---|
| 1. Sikkerhetsbryter | 20. Naljusteringskrue |
| 2. Skyvehåndtak | 21. Bakre nalramme |
| 3. Betjeningspanel | 22. Fremre nalramme |
| 4. Typeskilt med serienummer/tekniske data/samsvarssertifisering | 23. Koppholder |
| 5. Bakdeksel | 24. Håndtak på deksel for oppsamlingstank |
| 6. Kabelholder (*) | 25. Deksel for oppsamlingstank |
| 7. Landeindikator | 26. Tankkabinett |
| 8. Nullstillingsbryter | 27. Vannpåfyllingslokk |
| 9. Batterikontakt | 28. Børstedekk |
| 10. Batterideksel | 29. Børste/pad-holder |
| 11. Sugeslange | 30. Motor for vakuumsystem |
| 12. Nalvaier | 31. Børstemotor |
| 13. Deksel for batterikontakt | 32. 8" hjul |
| 14. Nalhendel | 33. Batteri |
| 15. Avløpsslange | 34. Sugerør |
| 16. Nalfesteskrue | 35. Lader (*) |
| 17. Nalklemme | 36. Flottørfilter |
| 18. Nal | 37. Vannivårør (indikerer vannmengden i vanntanken) |
| 19. Nalramme | |

(*) Gjelder kun for maskiner som er utstyrt med innebygd lader (ekstrautstyr)

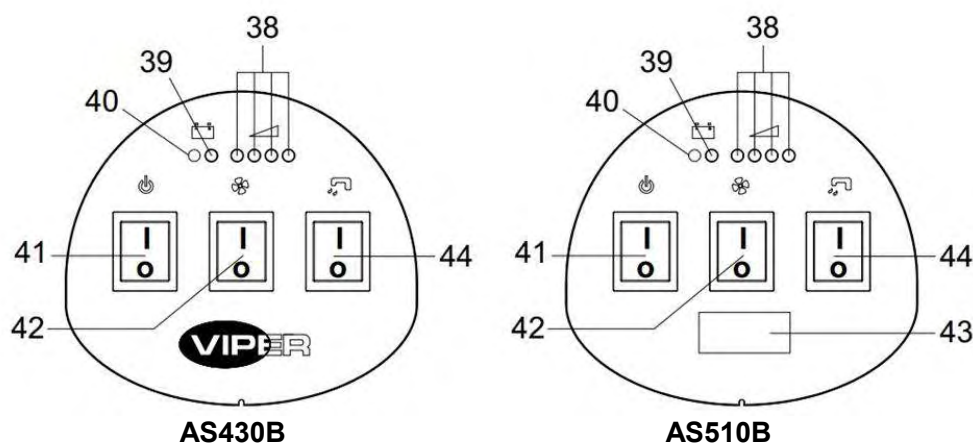
TEGNING AV MASKINSTRUKTUR



Figur 1

BETJENINGSPANEL (figur 2)

- 38. Batterinivåindikator (lyser grønt når batteriet er fullt)
- 39. Indikator for tomt batteri (rød)
- 40. Indikator for tomt batteri (rød)
- 41. Strømbryter
- 42. Sugebryter
- 43. Tidsur (valgfritt, brukes til å registrere driftstiden for børsten)
- 44. Bryter for magnetventil for regulering av vannstrøm

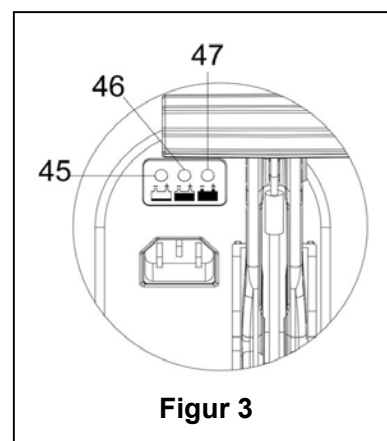


Figur 2

LADEINDIKATORER (figur 3)

(Valgfritt, gjelder for modeller med innebygd lader)

1. Når ladingen starter, blinker den røde lampen på laderen (45) et par ganger, og deretter lyser den konstant når den første fasen av ladingen starter.
2. Etter en stund med, vil den røde lampen på laderen (45) slukke, og den gule lampen (46) lyser konstant. Dette er den andre fasen av ladingen.
3. Etter lading i ca. 10 timer vil den gule lampen (46) slukkes, den grønne lampen (47) vil lyse konstant, noe som indikerer at ladingen er ferdig og avsluttet.



Figur 3

MERK



- 1) Hvis den gule lampen blinker under ladingen: Batteriet er ikke kompatibelt med laderen, batteriet er ikke riktig tilkoblet, eller utgangen er kortsluttet.
- 2) Hvis den røde lampen blinker: Kortslutning i laderen. (For mer informasjon, se relevant informasjon i håndboken for batteriladeren.)

BRUKERVEILEDNING

ADVARSEL

Maskinen har påklistret ulike merker:

- FARE
- ADVARSEL
- FORSIKTIG
- INFORMASJON



Når denne håndboken gjennomgås, må det vies særlig oppmerksomhet til symbolene på disse merkene. Disse merkene skal under ingen omstendigheter dekkes over. Hvis de blir skadet, må de skiftes umiddelbart.

MONTERING OG INNSTILLING AV BATTERI I EN NY MASKIN

ADVARSEL

Hvis batteriet monteres eller tilkobles feil, kan de elektriske komponentene i maskinen bli alvorlig skadet. Batteriet skal kun monteres av kvalifisert personell. Kretskortet og den innebygde laderen (ekstrautstyr) må stilles inn i henhold til hvilken batteritype som brukes (VÅT eller GEL).



Sjekk at batteriet ikke er skadet før det monteres.

Koble fra batterikontakten og ladekontakten for den innebygde laderen.

Vær forsiktig når du håndterer batteriet.

Denne maskinen bruker to (2) batterier 12V. Batteriet kobles som vist i figur 4 til høyre.

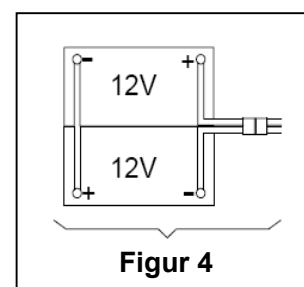
Denne maskinen leveres enten med eller uten batterier:

a) Med batterier montert (VÅT eller GEL/AGM)

1. Sjekk batteriet. Koble batteriet til maskinen via kontakten (9).
2. (Kun for AS430B og AS510B): Trykk ned av/på-bryteren (41). Hvis den grønne lampen lyser, indikerer det at batteriet er klart til bruk. Hvis den gule eller røde lampen lyser, indikerer det at batteriet må lades. (Se delen som omhandler vedlikehold for relaterte prosedyrer).

b) Uten batterier

1. Kjøp et kompatibelt batteri (se tekniske data). Informasjon om valg av batteri kan fås hos autoriserte batteriforhandlere.
2. Still inn maskinen og den innebygde laderen (hvis utstyrt) i henhold til batteritype (VÅT eller GEL/AGM). Se videre følgende informasjon for montering av batteriene.



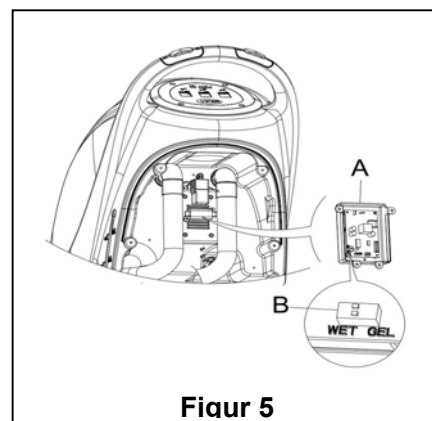
Figur 4

MONTERING OG INNSTILLING AV BATTERITYPE (VÅT ELLER GEL/AGM)

Kretskortet for den innebygde laderen må stilles inn i henhold til batteritype (VÅT eller GEL/AGM).

Fremgangsmåte:

1. Sjekk at kontakten på batteriet er koblet fra. Hvis maskinen bruker AGM-batteri fra fabrikken, gå direkte til trinn 8. I annet fall fortsett med trinn 2, 3 og 4.
2. Ta av tømmerlangen (15).
3. Hvis maskinen er utstyrt med innebygd lader, ta av ladeledningen fra kabelholderen.
4. Ta av bakdekselet (5) og skru ut skruene på batteridekselet (10). Skru ut to skruene på PCB-festet. DIP-bryteren (B) for å angi batteritype kan ses når PCB-kortet snus rundt. (Se figur 5)
5. Sett DIP-bryteren (B) til posisjon "WET".
6. Gjenta trinnene 3, 4 og 5 i motsatt rekkefølge.



Figur 5

Montering av batterier

7. Koble fra batterikontakten (9).
8. Åpne dekselet på oppsamlingstanken (25) for å sjekke om tanken er tom. Tøm den ved hjelp av avløpsslangen (15) hvis den ikke er tom.
9. Skru ut nalfesteskrue (16), ta av koplingen som kobler sammen sugeslangen (11) til nalen, og ta deretter av nalen.
10. Skru ut skruene på batteridekselet (10) og ta av dekselet.
11. Skru av kontakten av nalvaieren (12) som er tilkoblet nalbraketten (19), og heng nalvaieren oppover.
12. Hang avløpsslangen (15) og sugeslangen (11) oppover.
13. I henhold til batteristørrelsen, skyv batterifestet helt inn i batterirommet.

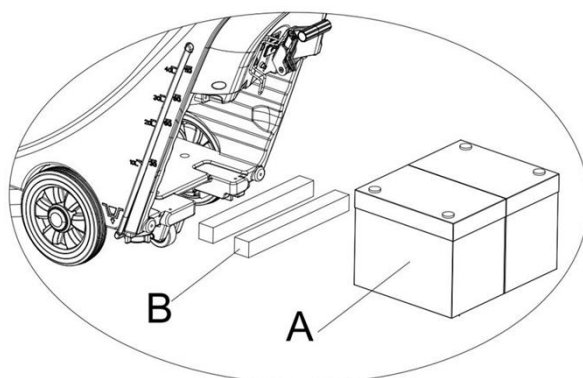


MERK

Dimensjonene på batteriet må ikke overstige: H x B x L: 330 mm x 170 mm x 260 mm.

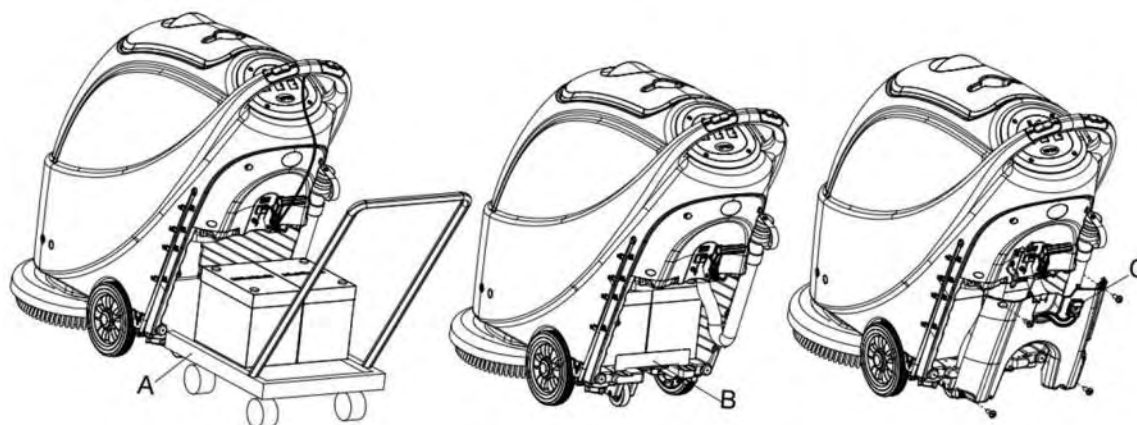
I henhold til ulike batteristørrelser, må det brukes følgende batterifester:

- 1) For batterier som er under 270 mm i lengde, bruk 2 batterifester (B, figur 6) og plasser dem ved siden av hverandre i batterirommet.
- 2) For batterier som er mellom 270 mm - 310 mm i lengde, bruk 1 batterifeste (B, figur 6) og plasser det i batterirommet.
- 3) For batterier som er mellom 330 mm - 310 mm i lengde, er det ikke behov for å bruke batterifeste.



Figur 6

14. Sett inn batteriene ved bruk av en tralle (A, figur 7). Etter at batteriet er montert, trekk ut trallen og monter festebraaketten (B, figur 7).



Figur 7

15. Legg batterikontakten (C, figur 7) gjennom hullet på toppen av dekselet til batterirommet, legg avløpsslangen gjennom det høyre hullet på batteridekselet, fest batteridekselet med 4 skruer, og sett deretter på plass nalvaieren, avløpsslangen og nalen i rekkefølge.

Lade batteriet

16. For å lade batteriet, se delen som omhandler vedlikehold.

GØR START AV MASKINEN

MONTERE OG FJERNE BØRSTE/PAD-HOLDER



MERK

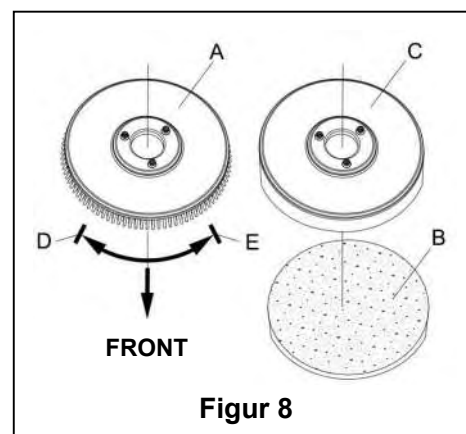
Ifølge typen gulv som skal rengjøres, kan maskinen brukes med børste (A, figur 8), eller en pad-holder (B og C, figur 8).



FORSIKTIG!

Ved montering eller fjerning av børste/pad-holder, sjekk først at alle brytere er i AV-posisjon og løft nalen opp fra gulvet. Når dette er gjort kan det gjøres arbeid på børste/pad-holder. Bruk vernehansker for å beskytte deg mot å bli kuttet av skarpe fragmenter.

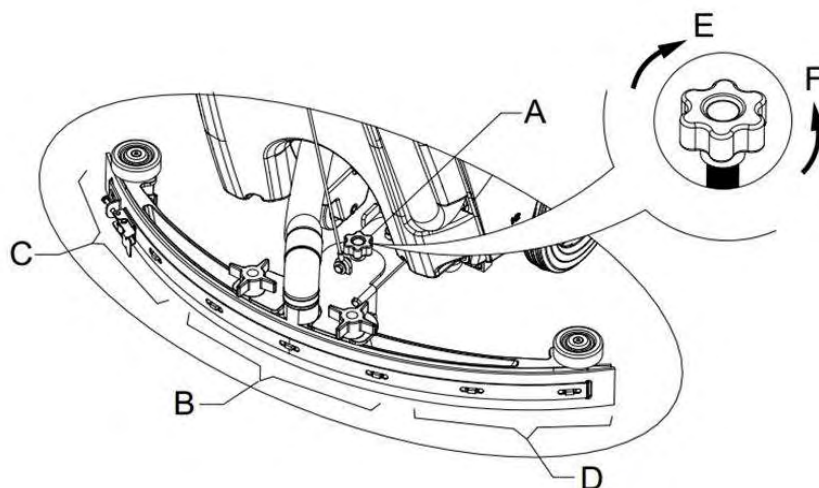
- (Kun for **AS430B** og **AS510B**): Sjekk at strømbryteren (41) er slått av (O).
- Bruk skyvehåndtaket (2) til å løfte tankkabinettet (26).
- Sett børsten (A) eller pad-holderen (B-C) under maskinen.
- Bruk skyvehåndtaket (2) til å senke tankkabinettet (26) slik at det kommer i kontakt med en børsten eller pad-holderen.
- For å feste børste/pad-holder automatisk, sett strømbryteren (41) til "I"-posisjon og trykk ned sikkerhetsbryteren (1). Skyv forsiktig maskinen fremover slik at beltehjulet i bunnen av tankkabinettet kan innrettes med børsten eller pad-holderen, og som deretter kan festes. Slipp deretter sikkerhetsbryteren. Gjenta denne fremgangsmåten etter behov til børsten/pad-holderen er festet.
- Hvis trinn 5 ovenfor viser seg å være vanskelig, kan børste/pad-holder festes manuelt i henhold til pilen (D) som vist i figur 8.
- For automatisk fjerning av børste/pad-holder, sett strømbryteren (41) til "O"-posisjon. Hold i skyvehåndtaket og press maskinen nedover til styrehjulet kommer i kontakt med gulvet, og børste/pad-holder henger i luften. Sett strømbryteren (41) til "I"-posisjon, og trykk ned sikkerhetsbryteren for å la børsten/pad-holderen rotere til børsten/pad-holderen frigjøres.
- Hvis trinn 7 viser seg å være vanskelig, kan det gjøres manuelt ved å dreie børsten/pad-holderen i motsatt retning av normal rotasjonsretning, og deretter tas av (som vist i figur 8).



Figur 8

JUSTERING AV NALBALANSEN

9. Monter nalen og skru den fast med festeskruen. Koble deretter sugeslangen til nalen.
10. Juster nalen med naljusteringsskruen (A) på nalen (se figur 9).
 - 1) Hvis det er et gap mellom midtpartiet av nalbladet, seksjon B, og gulvet, eller presset på gulvet er forholdsvis lett, kan justeringsskruen skrues mot klokken til hele lengden av nalbladet har god kontakt med gulvet. Det fremre nalbladet skal så vidt berøre gulvet.
 - 2) Hvis det er et gap mellom de to endene av det bakre av nalbladet, seksjon C og D, og gulvet, eller presset på gulvet er forholdsvis lett, kan justeringsskruen skrues med klokken til hele lengden av nalbladet har god kontakt med gulvet. Det fremre nalbladet skal så vidt berøre gulvet.



Figur 9

Fylling av vanntank



FORSIKTIG!

Det må kun brukes lavtskummende og ikke-brennbare rengjøringsmidler. Rengjøringsmidlene som brukes må være egnet for bruk i gulvvaskere.

11. Åpne vannpåfyllingslokket (27) og fyll vann på tanken. Ikke overfyll tanken. Fyll opp til vann til like under kanten av filterholderen. Ved blanding av rengjøringsmidler og vann, må blandingsforholdene som angitt av produsenten følges, og vanntemperaturen må ikke være høyere enn 40⁰ C.

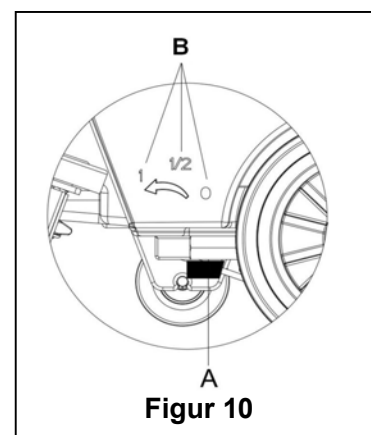
REGULERING AV VANNMENGDEN



ADVARSEL!

Regulering av kuleventilhendelen (A, figur 10) må gjøres når strømbryteren (41) står i posisjon "O".

12. Vannmengden kan reguleres med kuleventilhendelen (A, figur 10) i henhold til ønsket vannmengde for gulvet som skal rengjøres.



Figur 10

START OG STOPP AV MASKINEN

Starte maskinen

1. Fullfør de forberedende trinnene som beskrevet ovenfor.
2. Sett strømbryteren (41) til posisjon "I".
3. Bruk nalhendelen (41) til å senke nalen.
4. Sett sugebryteren (42) til posisjon "I".
5. Sett vannkontrollbryteren (44) til posisjon "I". (Bruk sikkerhetsbryteren (1) samtidig for å styre magnetventilen.)
6. Hold inne sikkerhetsbryteren (1) og skyv maskinen for å bevege den. Børsten (29) begynner å rotere, og maskinen starter rengjøringen.



INFORMASJON: Måten maskinen skal skyves på. Maskinen er utstyrt med to sikkerhetsbrytere på begge sider av skyvehåndtaket. Hver av sikkerhetsbryterne brukes uavhengig av børstedriften. Dette gjør det enklere å styre maskinen under rengjøringen.

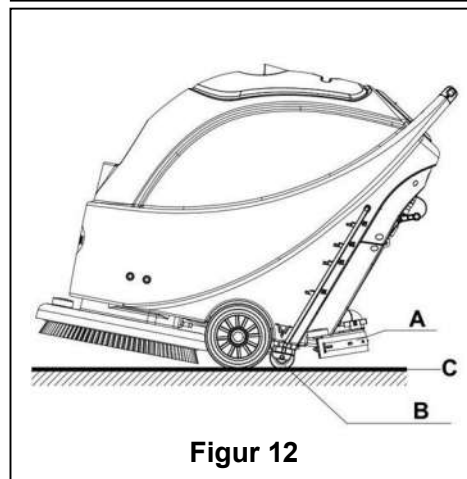
Erfaringsmessig er det best å styre maskinen som vist i figur 11, der operatøren vil føle seg mest mulig komfortabel, og reduserer tretthet i hendene. Operatøren er således anbefalt å bruke maskinen på denne måten.



Figur 11

Slå av maskinen

7. Når du er ferdig med å bruke maskinen, må du først ta av børsten/pad-holderen (se trinnene som beskriver montering og fjerning av børste/pad-holder).
8. Slipp sikkerhetsbryteren (1) for å stoppe børste/pad-holderen og magnetventilen.
9. Sett sugebryteren (42) til posisjon "O" og sugepumpen vil fortsette å gå i 5 sekunder før den stopper.
10. Sett vannkontrollbryteren (44) til posisjon "O" for å slå magnetventilen av.
11. Sett strømbryteren (41) til posisjon "O".
12. Bruk nalhendelen (14) til å heve nalen.
13. Ta tak i skyvehåndtaket (2) og vipp maskinen forsiktig bakover til styrehjulet (B) berører gulvet. Se figur 12.



Figur 12

MASKINDRIFT (SKURING OG TØRKING)

1. Start maskinen som beskrevet ovenfor.
2. Hold inne sikkerhetsbryteren (1) (som vist i figur 11), skyv maskinen fremover og start rengjøringen.
3. Om nødvendig, slå av maskinen og juster nalen med naljusteringsskruen. (Se relaterte trinn for å justere nalbalansen)
4. Om nødvendig, slå av maskinen og juster vannmengden med kuleventilhendelen. (Se relaterte trinn for å justere vannmengden)



FORSIKTIG!

For å unngå skade på gulvet, må strømbryteren (41) slås av når maskinen står i ro på gulvet.

Batteriindikatorer under drift

5. Det er bare når den grønne lampen (38) lyser konstant at strømtilførselen til batteriet er tilstrekkelig for normal drift av maskinen.

MERK

Når alle de fire grønne lampene (38) lyser, indikerer dette at batteriet er fulladet.

Når bare den siste grønne lampen lyser (38) og begynner å blinke, indikerer dette at batteriet må lades, og maskinen vil stoppe automatisk etter noen minutter.

Når den siste grønne lampen (38) slukker, og den røde lampen (39 og 40) begynner å blinke, stopper maskinen automatisk etter noen få sekunder. (Se delen som omhandler vedlikehold).



FORSIKTIG!

Maskinen må ikke brukes når strømmen fra batteriet ikke er tilstrekkelig, for å unngå skade på batteriet og dermed en kortere levetid på batteriet.

TØMMING AV TANKEN

Når oppsamlingstanken er full, vil en flottør i flottørfilteret (36) blokkere innløpet til sugepumpen. Når sugepumpen avgir høyere støy enn vanlig, kan det antas at sugepumpen allerede er overbelastet, og tanken må tømmes før videre bruk.

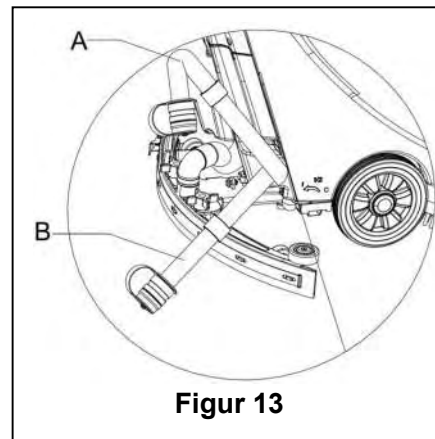
**FORSIKTIG!**

Hvis sugepumpen plutselig stopper (for eksempel fordi maskinen flyttes støtvis og flottøren aktiveres), og hvis driften skal gjenopptas, gjør følgende: Slå av strømbryteren (41 og 42) for å slå av strømmen og sugepumpen, og åpne dekselet på oppsamlingstanken (25) for å sjekke om flottøren i flottørfilteret har returnert til vannoverflaten. Lukk deretter dekselet på oppsamlingstanken (25), og trykk på strømbryteren (41 og 42) for å slå på strømmen og sugepumpen.

Når oppsamlingstanken er helt full, må du gjøre følgende for å tømme den.

Tømming av oppsamlingstank

1. Slå av maskinen.
2. Bruk nalhendelen (14) til å heve nalen.
3. Flytt maskinen til stedet der den skal tømmes.
4. Ta tak i skyvehåndtaket (2) og vipp maskinen forsiktig bakover til styrehjulet berører gulvet. (Dersom arbeidet er ferdig, henvises til delen som omhandler prosedyrer for stopp av maskinen.)
5. Ta av avløpsslangen fra festeklemmen knekk den øvre delen av slangen (som vist i **A, figur 13**), og åpne deretter lokket på avløpsslangen og legg slangen ned for å la vannet renne ut. Alternativt kan slangen legges rett på gulvet slik at åpningen på slangen peker nedover (som vist i **B, figur 13**), og deretter skru av lokket for å tømme ut avløpsvannet. Etter at tømmingen er ferdig, kan du bruke rent vann til å skylle oppsamlingstanken innvendig.



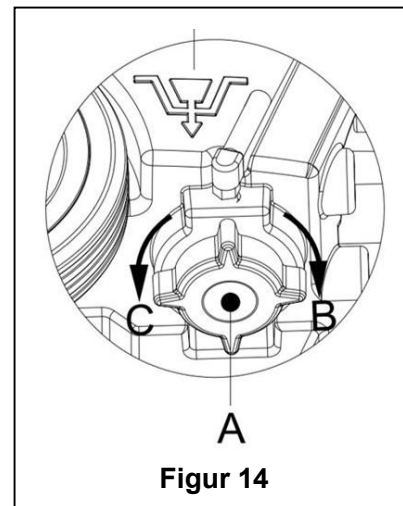
Figur 13

**FORSIKTIG!**

Ved tømming av oppsamlingstanken, må slangen enten lages en knekk på eller legges ned på gulvet (som vist i figur 13 A eller B), og deretter åpne lokket til på slangen for å tømme tanken. Ikke gjør la utløpet på slangen vende oppover slik at vannet renner ut vertikalt. Dette er for å unngå at operatøren blir tilsølt.

Tømming av vanntank

6. Utfør trinn 1 til 4.
7. Som vist i **figur 14**, åpne lokket på vanntanken (A) mot klokken i retning C, og tøm vanntanken. Bruk rent vann til å skylle vanntanken innvendig. Når vanntanken er tom, skru på lokket (A) med klokken i retning B.



Figur 14

ETTER BRUK AV MASKINEN

Når arbeidet er ferdig, og før du forlater den, må følgende gjøres:

1. Følg fremgangsmåten som beskrevet i delen som omhandler montering og fjerning av børste/pad-holder, og ta av børste/pad-holder.
2. Følg prosedyrene som er beskrevet i relaterte avsnitt, og tøm vanntanken og oppsamlingstanken.
3. Utfør prosedyrer for daglig vedlikehold (se delen som omhandler vedlikehold).
4. Maskinen, børste/pad-holder og nal, må lagres på et rent og tørt sted. Nalen bør være hevet eller tas av.

LENGRE PERIODER UTEN BRUK

Hvis maskinen ikke skal brukes på 30 dager eller mer, må følgende gjøres:

1. Gjennomfør samme prosedyre som når arbeidet med maskinen er ferdig.
2. Koble fra kontakten (9) som kobler sammen batteri og maskin.
3. For unngå skade på batteriet, og hvis maskinen ikke skal brukes på mer enn 3 måneder, bør batteriet lades opp hver 3. måned.

FØRSTEGANGS BRUK

Etter de første 9 driftstimene, må du sjekke alle deler for å sikre at ingenting har løsnet eller blitt skadet under driften, og sjekk om det finnes synlige skader eller lekkasjer.

VEDLIKEHOLD

For maks levetid og optimal driftssikkerhet på maskinen, må det utføres korrekt vedlikehold i henhold til vedlikeholdsplanen.

Tabellen nedenfor inneholder en generell vedlikeholdsplan for maskinen. Tidsintervallene for vedlikehold kan i stor grad fastsettes i henhold til arbeidsforholdene. Disse tidsintervallene bør fastsettes av personellet som er ansvarlig for vedlikeholdet.



ADVARSEL!

Disse prosedyrene skal kun utføres først etter at strømmen til maskinen er slått av og tilkoblingen mellom maskinen og batteriet er frakoblet. Gjennomgå delen som omhandler sikkerhet for du utfører noen vedlikeholdsprosedyrer.

Alt vedlikehold i planen eller alt ekstra vedlikehold må utføres av kvalifisert personell eller et autorisert servicesenter.

Denne håndboken beskriver kun de generelle og mest vanlige vedlikeholdsprosedyrene.

For annet vedlikehold enn det som er nevnt i denne tabellen for planlagt vedlikehold, henvises det til vedlikeholdshåndboken fra servicesenteret.

VEDLIKEHOLDSPLAN

Prosedyre	Daglig, maskin etter bruk	Ukentlig	Hver 6 måneder	Årlig
Lading av batteriet				
Rengjøring av nal				
Rengjøring av børste/pad-holder				
Rengjøring av vanntank og flottørfilter, sjekk av tetningslister på vanntanken				
Sjekk og skift av nalblad				
Rengjøring av vannfilteret				
Rengjøring av sugepumpefilteret				
Sjekk av væsknivå på våtbatteri				
Sjekk av stramheten på skruer og muttere			(1)	
Sjekk eller skift av kullbørster på motor for børste/pad-holder				(2)
Sjekk eller skift av kullbørster på sugepumpen				(2)

(1) Bør gjøres etter de første 9 driftstimene.

(2) Disse vedlikeholdsprosedyrene skal utføres av et autorisert VIPER servicesenter.

BATTERILADING

**MERK**

Batteriet må lades opp når den gule eller røde lampen begynner å lyse, eller etter hver bruk av maskinen.

**FORSIKTIG!**

For å få en optimal levetid på batteriet, må det alltid holdes oppladet.

**FORSIKTIG!**

Når strømmen på batteriet er for svak, må batteriet lades opp så snart som mulig. Det beste er å sjekke batteriet minst én gang i uken.

**FORSIKTIG!**

Hvis maskinen ikke er utstyrt med innebygd lader, kan en egnet ekstern lader brukes for å lade batteriet.

**ADVARSEL!**

Det må utvises forsiktighet ved lading av batteriet, da det kan oppstå syrelekkasje under ladeprosessen. Batterisyre er etsende. Hvis huden eller øyene ved et uhell kommer i kontakt med batterisyre, må du skylle med rikelige mengder vann og kontakte lege.

1. Åpne dekselet på oppsamlingstanken (25) og sjekk oppsamlingstanken er tom. Hvis den ikke er tom, må den tømmes via avløpsslangen (15).
2. Flytt maskinen til et egnet sted for tømning.
3. Sett strømbryteren (41) til posisjon "O" for å slå den av.
4. Kun for våtbatterier
 - Sjekk elektrolyttnivået på batteriet. Etterfyll etter behov via åpning for påfylling.
 - Ha alle lokkene åpen.
 - Rengjør overflaten av batteriet etter behov.
5. Gjør ett av følgende for å lade batteriet i henhold til batteritype som brukes.

Lade opp batteri med ekstern lader

6. Sjekk håndboken for batteriladeren for å se om den er kompatibel. Utgangsspenningen må være 24 VDC.
7. Koble batterikontakten til den eksterne laderen, og koble den eksterne laderen til strømmettet.
8. Når ladingen er ferdig, koble ladekontakten på batteriet til maskinen.

Lade opp batteri med innebygd lader (ekstrautstyr)

9. Ta av gummihebben på enden av ladekontakten.
10. Koble enden av ladekontakten til strømmettet med en ladekabel. (Sjekk at spenningen på den innebygde laderen er 220V-240V, og at utgangsspenningen 24VDC, og at frekvensen er i henhold til spesifikasjonene.) Når laderen er koblet til strømmettet, vil alle andre funksjoner automatisk bli deaktivert. Hvis den røde lampen på den innebygde laderen lyser kontinuerlig, indikerer det at batteriladeren lader batteriet.
11. Hvis den grønne lampen (47) lyser, indikerer det at ladeprosessen er ferdig.
12. Når ladingen er ferdig, ta av ladekabelen fra enden av ladekontakten og strømmettet, og sett på plass gummihebben.
13. Koble ladekabelen fra strømmettet, og vikle kabelen rundt kabelholderen (6).

**MERK**

Hvis mer informasjon om den innebygde laderen (35) henvises det til brukerhåndboken for denne.

RENGJØRING AV NAL**MERK**

For å opprettholde optimal effekt på vannoppsuget, må nalen holdes ren og nalbladet må være i god stand.

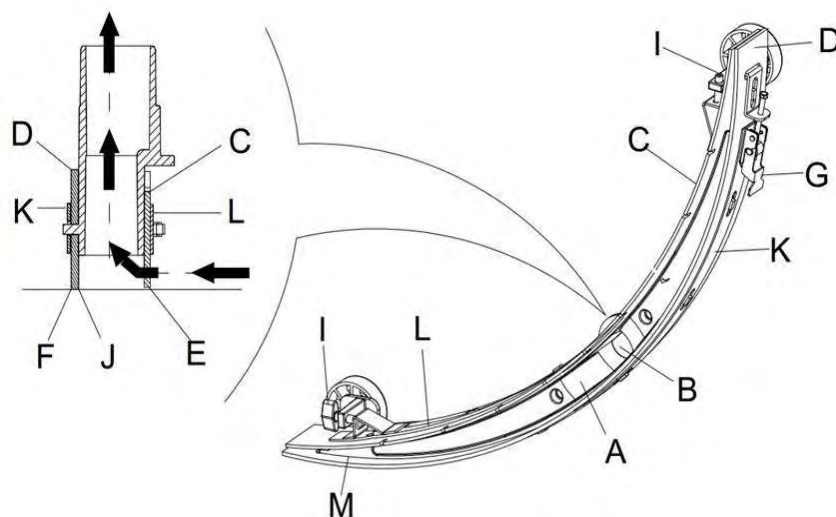
**FORSIKTIG!**

Ved rengjøring av nalen anbefales det å bruke vernehansker, da det kan være skarpe fragmenter i den.

1. Plasser maskinen på et plant og jevnt gulv.
2. Sett strømbryteren (41) til posisjon "O" for å slå den av.
3. Skru ut festeskruen (16) for nalen, ta av sugeslangen fra nalen, og ta deretter av nalen.
4. Bruk nalhendelen (14) til å heve nalrammen.
5. Rengjør nalen (figur 15). Rengjør spesielt sporet (A, figur 15) og smuss og fragmentene på sugeslangen. Sjekk om det fremre nalbladet (C) og det bakre nalbladet (D) er intakt, og om det finnes revner eller sprekker. Skift ut etter behov (se fremgangsmåten nedenfor).
6. Sett på plass nalen i motsatt rekkefølge av trinnene som beskrevet.

SJEKK OG SKIFT AV NAL

1. Rengjør nalen i henhold til fremgangsmåten som beskrevet ovenfor (figur 15).
2. Sjekk kanten (E, figur 15) på den fremre nalen og kanten (F) på den bakre nalen (D). De skal være på samme nivå langs hele lengden. Juster eventuelt høyden i henhold til følgende fremgangsmåte.
 - Løsne klemmen (G) for å løsne den bakre nalen (D) fra braketten (M) for å kunne justere nalens posisjon. Lukk klemmen etter at nalen er justert.
 - Løsne skruen (I) for å justere den fremre nalen (C). Stram til skruen igjen etter justering.
3. Sjekk om det fremre nalbladet (C) og det bakre nalbladet (D) er intakt, og om det finnes revner eller sprekker. Skift ut etter behov i henhold til fremgangsmåten som beskrevet. Sjekk forkanten på den bakre nalen (J) for slitasje. Hvis den er slitt, kan den sus rundt (den øverste kanten må i så fall være intakt). Hvis den øverste kanten også er slitt, må nalen skiftes i henhold til fremgangsmåten nedenfor:
 - Løsne klemmen (G) for å løsne bladet fra braketten (M), ta av klemmeskinnen (K), og skift eller snu den bakre nalen (D) opp/ned. Sett på plass den bakre nalen i motsatt rekkefølge av trinnene ovenfor.
 - Løsne skruen (I) og ta av den fremre klemmeskinnen (L), og skift så den fremre nalen (C). Sett på plass den fremre nalen i motsatt rekkefølge av trinnene ovenfor. Etter at nalen er skiftet eller snudd motsatt vei, juster høyden på fremre og bakre nal i henhold til trinnene ovenfor.
4. Koble sugeslangen (11) til nalen.
5. Sett på plass hele nalsammenstillingen og bruk skruen (16) for å feste den, og koble deretter til sugeslangen.
6. Juster eventuelt nalen med justeringsskruen (20) (se fremgangsmåte for å justere nalbalansen).



Figur 15

RENGJØRING AV BØRSTE/PAD-HOLDER



FORSIKTIG!

Ved rengjøring av børste/pad-holder, anbefales det å bruke vernehansker, da det kan være skarpe fragmenter til stede.

1. Ta av børste/pad-holder som beskrevet tidligere.
2. Rengjør børste/pad-holder med vann og rengjøringsmiddel.
3. Sjekk om børsten er hel og om børstehårene er slitt, skift ut etter behov.
4. Sjekk om pad-holderen er hel, skift ut etter behov.

RENGJØRING AV VANNTANK OG FLOTTØRFILTER

1. Flytt maskinen til stedet der den skal tømmes.
2. Sett strømbryteren (41) til posisjon "O" for å slå den av.
3. Åpne dekselet på oppsamlingstanken (A, figur 16), og ta ut flottørfilteret (36) fra oppsamlingstanken.
4. Bruk rent vann til å rengjøre dekselet på oppsamlingstanken (A), tanken (B og C), og flottørfilterholderen (E). Bruk slangen (15) til å tømme vanntanken.
5. Se eventuelt symbolene "OPEN" og "CLOSE" som vist i figur 16 for å åpne bunndekselet (F) på flottørfilteret, og rengjør deretter flottørkulen (D), filterholderen (E) og filtersvampen (I). Etter rengjøring settes flottørfilteret inn i filterholderen (E), og innrett deretter sporet (L) på bunndekselet (F) for flottørfilteret med sporet (L) på flottørfilterholderen (E). Skru bunndekselet (F) på flottørfilteret godt til, sett filtersvampen (I) på flottørfilterholderen (E), og deretter på sugeslangen (M).
6. Sjekk at tetningsringen (G) på vanntankklokken er hel.

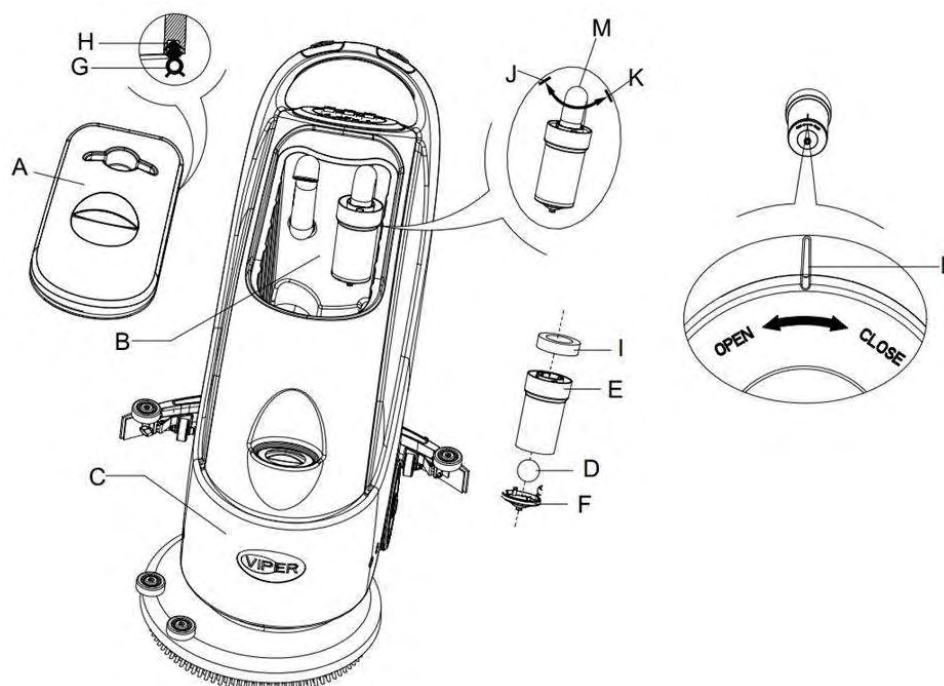


MERK

Tetningsringen (G) på vanntanken gjør at det kan dannes et vakuum i vanntanken. Den må være helt tett for effektivt å kunne suge opp vann fra gulvet.

Om nødvendig, kan tetningsringen på vanntanken (G) tas ut fra sporet (H) for å skiftes. Ved montering av ny tetningsring som vist i figur 16, må den skjøtes ved midten av den bakre delen.

7. Sjekk om kontaktflaten for tetningslisten (G) er hel, og at den tetter skikkelig.
8. Sett på plass dekselet (A) oppsamlingstanken.



Figur 16

RENGJØRING AV VANNFILTER

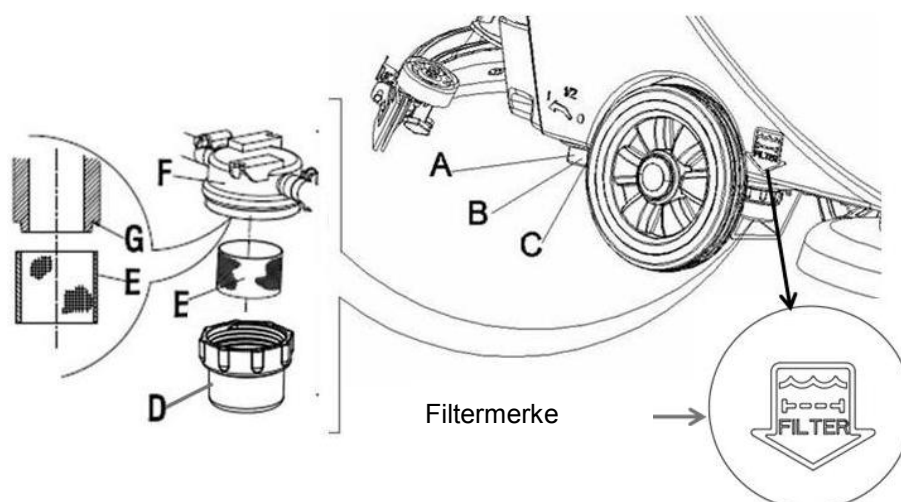
1. Tøm alt vannet fra vanntanken som beskrevet tidligere.
2. Plasser maskinen på et plant og jevnt gulv.
3. Sett strømbryteren (41) til posisjon "O" for å slå den av.
4. Steng kuleventilen (A, figur 17) (plassert i bunnen av maskinen, bak hjulene). Åpne kuleventil B og steng kuleventil C.
5. Ta av det gjennomsiktige lokket (D), og ta deretter ut filteret (E). Sett dem på plass i filterboksen (F) etter rengjøring.



MERK

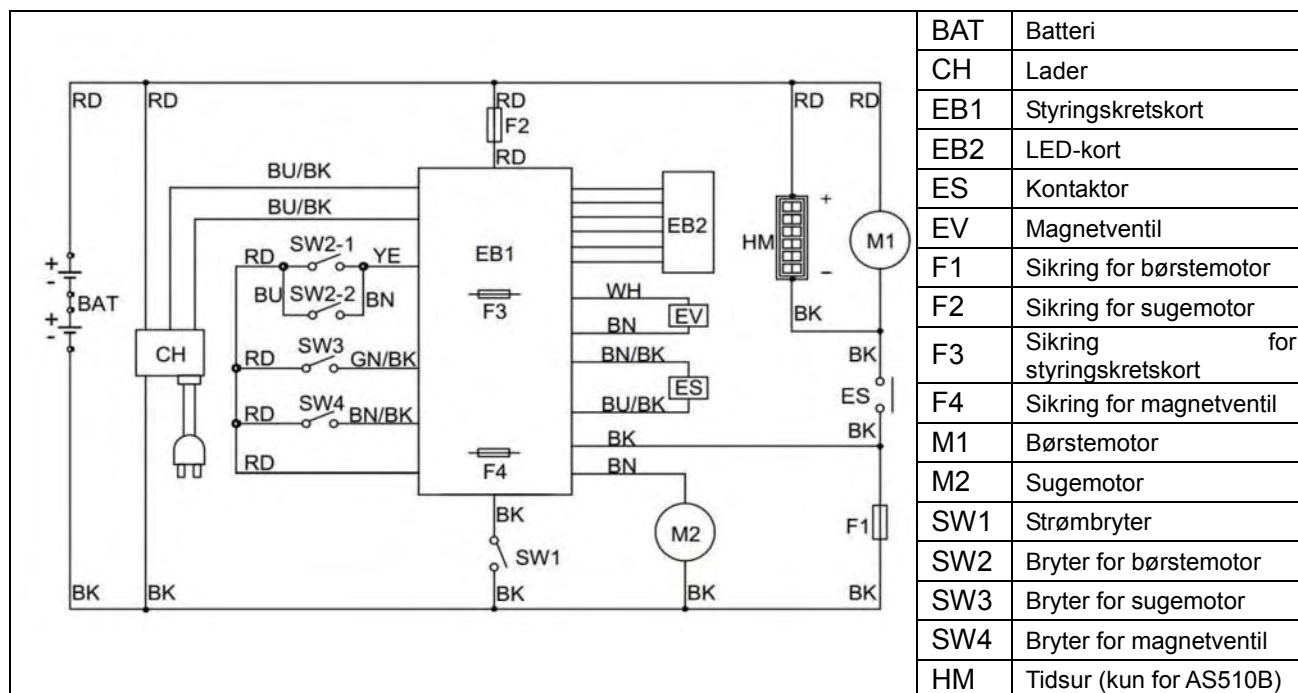
Filteret (E) må monteres i riktig posisjon på festet (G).

6. Åpne kuleventilen for tømning (A).



Figur 17

KOBLINGSSKJEMA FOR AS430B OG AS510B



FARGEKODER

RD: Rød	BN: Brun	BU/BK: Blå/svart
BU: Blå	YE: Gul	GN/BK: Grønn/svart
BK: Svart	WH: Hvit	BN/BK: Brun/svart

FEILSØKING

Problem	Mulig årsak	Løsninger
Maskinen virker ikke: Indikatorene lyser ikke	Batterikontakt (9) ikke tilkoblet	Koble til batterikontakten
	Batteriet er tomt	Lad opp batteriet
Varsellys (39 eller 40) blinker	Overbelastning av børstemotor	Bytt til en myk børste som er egnet for gulvet som rengjøres
	Fremmedlegemer hindrer børsten fra å rotere	Fjern eventuelle objekter fra børsten
Børsten virker ikke	Sikring for børstemotor utløst	Tilbakestill sikringen
	Beltet sklir ut	Sjekk beltet, juster strammeskiven
Sugemotoren virker ikke	Sikring for sugemotor utløst	Tilbakestill sikringen
Utilstrekkelig vakuum	Oppsamlingstanken er full	Tøm tanken
	Sugeslange mellom oppsamlingstank og nal ikke riktig tilkoblet	Koble sugeslangen til nalen og oppsamlingstanken
	Flottørfilteret eller innløpet er tilstoppet	Rengjør flottørfilteret, sjekk flottørkulen
	Nalen er skitten eller nalbladet er slitt eller skadet	Rengjør og sjekk nalen
	Dekselet på oppsamlingstanken er ikke riktig satt på, eller tetningslisten på vanntanken skadet	Sett dekselet skikkelig på plass, eller skift tetningslisten på vanntanken
Vannmengden til børsten er for lav	Filteret er skittent	Rengjør filteret
Nalen etterlater seg merker	Smuss og fragmenter under nalbladet	Fjern smuss og fragmenter
	Nalbladet er utslitt, sprukket, sprøtt	Skift nalbladet
	Nalbalansen er ikke riktig justert	Juster nalbalansen

MERK

Hvis maskinen er utstyrt med en innebygd lader, og hvis den innebygde laderen er defekt, kan maskinen ikke brukes.

Hvis den innebygde laderen er defekt, må autorisert reparatør kontaktes.

For mer informasjon, vennligst se vedlikeholdshåndboken (tilgjengelig hos VIPER sine servicesentre)

AVHENDING AV MASKINEN

Maskinen må destrueres på et godkjent avfallsmottak.

Før maskinen destrueres, må følgende deler fjernes og sorteres i henhold til gjeldende lover og forskrifter, og behandles som spesialavfall:

- Batteri
- Børste/pad-holder
- Plastslanger og plastdeler
- Elektriske og elektroniske komponenter (*)

(*): Ta kontakt med nærmeste VIPER-senter (spesielt ved avhending av elektriske og elektroniske komponenter).

SISÄLLYSLUETTELO

JOHDANTO	349
KÄSIKIRJAN SISÄLTÖ	349
TARKOITUS	349
VARAOSAT JA YLLÄPITO	349
MUUTOKSET JA PARANNUKSET	349
KÄYTTÖALUE	349
TUNNISTUSTIETOA	349
UNPACKING/TRANSPORT	349
YLEISTURVALLISUUSOPASTUKSET	350
TEKNISET TIEDOT	351
KONEEN KUVAUS	351
KONEEN RAKENNE	351
KONEEN RAKENTEEN KUVAT	352
OHJAUSPANEELI	352
LATURIN ILMAISUVALON NÄYTTÖ	353
KÄYTTÖOPAS	353
ASENTAMINEN JA UUDEN KONEEN AKUN ASETUS	353
AKUN ASENTAMINEN JA AKKUTYYYPIN ASETUS (MÄRKÄ TAI GEELI/AGM)	354
ENNEN KONEEN KÄYNNISTÄMISTÄ	355
HARJAN / PEHMUSTEEN PITIMEN ASENTAMINEN JA LASTAAMINEN	355
IKKUNALASTAN TASAPAINON SÄÄTÄMINEN	356
VEDENVIRTAUKSEN VOLYYMIN SÄÄTELY	356
KONEEN KÄYNNISTYS JA PYSÄYTYS	356
KONEEN TOIMINTA (HANKAAMINEN JA KUIVAUS)	357
SÄILIÖN TYHJENTÄMINEN	358
KONEEN KÄYTÖN JÄLKEEN	358
TOIMEETTOMUUSAJANJAKSOT	359
KÄYTTÖ ENSIMMÄISTÄ KERTAA	359
YLLÄPITO JA HUOLTO	359
YLLÄPITO AIKATAULU	360
AKUN LATAUS	360
IKKUNALASTAN PUHDISTAMINEN	361
IKKUNALASTAN TERÄN TARKASTUS JA VAIHTO	361
HARJAN/KIILLOTUSTYYNYN PUHDISTAMINEN	362
VESISÄILIÖN JA KELLUVAN SUODATINSILMIKON PUHDISTAMINEN	362
LIUOSSUODATTIMEN PUHDISTAMINEN	363
AS430B JA AS510B VIRTAPIIRIKUVA	364
VIANMÄÄRITYS	365
KONEEN HÄVITYS	365

JOHDANTO



HUOM

Sulkeissa olevat numerot viittaavat Koneen kuvaus-jaksossa näytettyihin komponentteihin.

KÄSIKIRJAN SISÄLTÖ

Tämä käsikirja antaa käyttäjälle tarpeelliset tiedot koneen sopivaan ja turvalliseen käyttöön. Tietoihin sisältyy koneen teknisiä tietoja, turvallisuus-, toiminta-, varastointi-, ylläpito- ja hävitystietoja. Pätevien käyttäjien ja teknikoiden on tutustuttava käsikirjaan varovasti ennen koneen käyttöönottoa ja ylläpitoa. Ota yhteys VIPER-yritykseen kaikkien kyselyjen vuoksi tämän käsikirjan selityksistä tai jos tarvitaan lisää liittyvää tietoa.

TARKOITUS

Tämän käsikirjan tarkoituksena on mahdollistaa käyttäjälle ja pätevälle teknikolle tämän koneen ylläpito. Käyttäjä ei saa suorittaa niitä toimenpiteitä, jotka vain teknikko saisi suorittaa. VIPER ei ole vastuussa mistään vahingosta, jonka tämän säännön rikkomus on aiheuttanut.

VARAOSAT JA YLLÄPITO

Kaikki tarpeellisen toiminta-, ylläpito ja korjaustoimenpiteen on pätevä henkilöstön jäsen tai VIPER-yrityksen huoltokeskuksen suoritettava

On käytettävä ainoastaan valtuutettuja varaosia ja varusteita

Jos varaosien ja varusteiden tilaus on tarpeen, ota yhteys VIBER-yritykseen koneen mallinumerolla ja sarjanumerolla.

MUUTOKSET JA PARANNUKSET

VIPER tekee jatkuvasti parannuksia tuotteisiinsa. VIPER varaa oikeuden muuttaa ja parantaa koneensa ja myös päättää itse, ovatko ne muutokset, jota edut ovat tuoneet sovellettavissa jo myydyissä tuotteissa. Kaikki muutokset tai lisävarusteet on VIPER-yrityksen hyväksyttävä ja yrityksen suoritettava.

KÄYTTÖALUE

Tätä kaasunpesulaitetta käytetään koti- ja teollisessa ympäristössä, ja sopii sileiden ja kovien lattioiden puhdistamiseksi (hankaamine ja jäteveden keräys). Sitä on pätevien käyttäjien käytettävä ja turvallisessa ympäristössä. Tätä kaasunpesulaitetta ei voida käyttää ulkona, matoilla ja suhteellisen kovilla latioilla.

TUNNISTUSTIETOA

Koneen malli ja sarjanumero on merkitty levyyn (4).

Tämä tieto on käytännöllinen koneen varaosia pyydetessä, Käyrä alla olevaa taulukkoa koneen tunnistustietoja alas kirjoitettaessa.

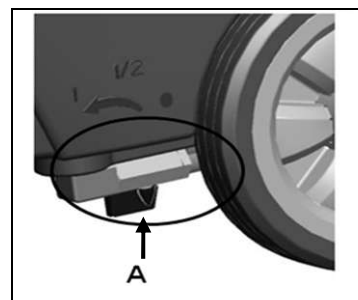
KONEEN malli.....
KONEEN sarjanumero.....

UNPACKING/TRANSPORT

Noudata tarkasti ohjeita pakkauksessa pakkauksen purkamisen yhteydessä. Tarkasta toimituksen yhteydessä pakkaus ja kone sen varmistamiseksi, ettei vahinkoa ole sattunut kuljetuksen aikana. Jos havaitset näkyvän vian, säilytä alkuperäinen muoto ja pyydä kuljettajaa täyttämään vahinkoluettelo kustannusten korvaamiseksi.

– VAARA

Pakkauksen purkamisen ja lastin poistamisen tapauksessa tai kun kone liikkuu maan yli, jossa on rappuskeleita, huolehdi siitä, ettet paina on/off kytkintä, joka säätelee veden virtausta Osa A kuvassa oikealla.



Tarkasta onko kone varustettu seuraavilla varusteilla:

1. Tekniset asiakirja
 19. Kaasunpesulaitteen käyttäjän opas
 20. Alustan laturin käsikirja (jos annettu mukana)
2. liitin Laturille (jos ei ole varustettu alustan laturilla, se on nimenomainen ulkoinen laturi)

YLEISTURVALLISUUSOPASTUKSET

Seuraavat ovat erityisiä varoituksia ja ilmoituksia mahdollisista vaaroista (henkilöstö ja kone):



VAROITUS!

59. Koneita voidaan käyttää ainoastaan tämän käsikirjan opastuksen mukaisesti. Voidaan käyttää ainoastaan VIPER-yrityksen hyväksymiä varusteita.
60. Tätä konetta saa käyttää ainoastaan hyvin koulutettu ja valtuutettu henkilöstö. Lapset tai epäsovivat henkilöt eivät saa käyttää tätä konetta.
61. Normaalisissa käytöissä akku päästää tulenarkaa kaasua. Akkua on pidettävä kaukana säteilevistä, valaisevista ja palavista tavaroista, sekä kipinöistä. Kun konetta kätetään, varmista, että ympäristö on hyvin tuuletettu ja kaukana avoileikeistä. Ladattaessa älä polta koneen lähetyvillä.
62. Irrota akku ennen minkään ylläpidon/korjaustoiminnan suorittamista.
63. Ennen alustalla lataamista varmista, että jännite ja taajuuskantama arvot ovat sarjjanumerotarralla ilmoituksen mukaiset ja sopivat päävirtaan.
64. Sähköosien lähellä työskennellessä älä käytä mitään koruja. Suorita kaikki turvallisuustoimenpiteet hiusten, korujen ja löysien vaatteiden tarttumisen ehkäisemiseksi ajoneuvon muihin liikkuviin osiin.
65. Älä käytä tätä konetta nimenomaan likaisilla alueilla. Älä pese konetta suoraan vedellä. Älä anna koneen koskea syövyttäviin nesteisiin.
66. Lämpötila varastoinnille ja koneen työympäristölle on oltava välillä 0 ja 40°C.
67. Ilman kosteuden on oltava välillä 30% ja 105%.
68. Älä käytä konetta kaltevalla tasolla, jonka kaltevuus on yli 2%.
69. Tulipalon tapauksessa käytä kuivan pulverin tulensammutinta. Älä käytä nestemäisiä tulensammuttimia.
70. On huomioitava erityisesti, kun kone siirretään alle 0°C. Vesisäiliö ja vevsi letkuissa voi jäätymä ja aiheuttaa vakavia vahinkoja koneelle.
71. Käytä harjoja ja pehmusteita, jotka toimitetaan koneen mukana ja jotka on määritelty Käyttäjän käsikirjassa. Muiden harjojen tai pehmusteiden käyttö voi vähentää turvallisuutta.
72. Koneen toimintahäiriön tapauksessa varmista, että sitä ei aiheuta ylläpidon puute. Jos sen aiheuttaa muu olosuhde, hae valtuutetun henkilöstön tai huoltokeskuksen apua.
73. Jos havaitaan, että varaosat on vaihdettava, varmista, alkuperäiset osat valtuutetulta jälleenmyyjältä tai agentilta.
74. Voidaksesi varmistaa koneen turvallisen ja sopivan toiminnan, anna valtuutetun henkilöstön tai huoltokeskuksen suorittaa ajoitettu ylläpito, käsikirjan liittyvissä osissa mainitun ylläpitoaikataulun mukaisesti.
75. Tämä kone on hävitettävä sopivalla tavalla, koska voi löytyä myrkyllisiä ja vaarallisia aineita (akkuja, jne.), ja nämä aineet on erikoiskeskusten hävitettävä voimassaolevien lakien ja säätelyjen mukaisesti (katso koneen hävitys-jaksoa).

TEKNISET TIEDOT

Malli	AS430B	AS510B
Koneen korkeus	980mm	
Liuossäiliön kapasiteetti	40 litraa	
Palautussäiliön kapasiteetti	40 litraa	
Kuljetuslaikan halkaisija	200mm	
Opaslaikan halkaisija	76mm	
Imujärjestelmä moottorin teho	350w	
Maksimi kaltevuus työskennellessä	2%(Max)	
Kiinteä paineentaso työasemalla	70dB(A) ±3dB(A)	
Vakio akut	(2×12V) 24V 85Ah AGM	(2×12V) 24V 105Ah AGM
Akkulokeroiden koko (L x P x K)	340 x 330 x 260mm(Max)	
Imujärjestelmävirtapiiriin kapasiteetti	1200 mm H ₂ O	
Puhdistus leveys	430mm	510mm
Ikkunalastan leveys	730mm	790mm
Koneen maksimi pituus	1060mm	1100mm
Koneen leveys ilman ikkunalastaa	480mm	540mm
Harjan halkaisija	430mm	510mm
Paino akuilla ja tyhjällä säiliöllä	112kg	128kg
Käyttövalmiin koneen bruttopaino	152kg	168kg
Harjamoottorin teho	550W	560W
Harjan nopeus	150rpm	
Harja /pehmusteen pitimen maksimi paine	30kg (Max)	35kg(Max)
Pakkauksen koko (Px L x K)	1200 x 610 x 1170mm	

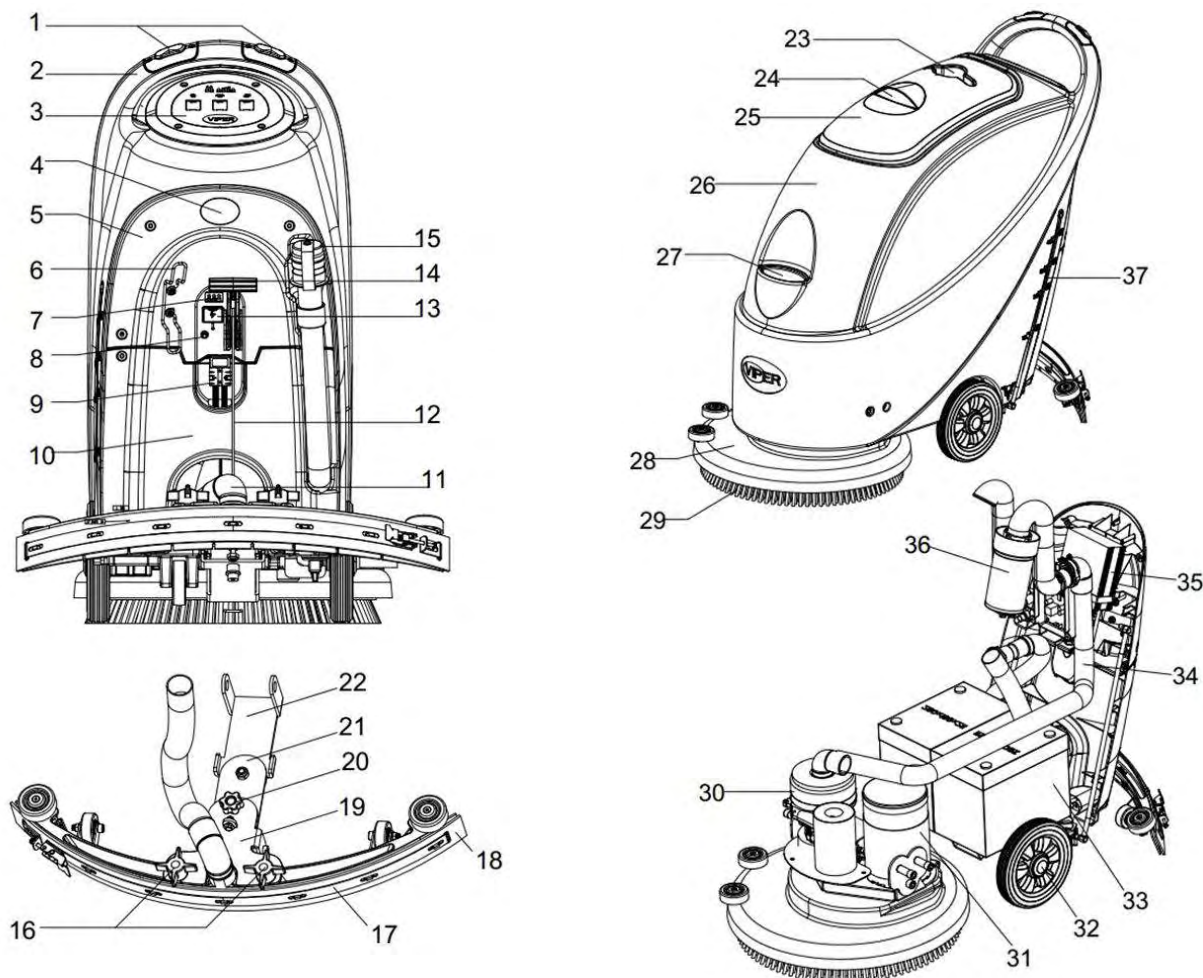
KONEEN KUVAUS

KONEEN RAKENNE

- | | |
|--|---|
| 1. Suojakytinpainike | 20. Ikkunalastaa säätävä käsilaikka |
| 2. Kahvatanko | 21. Ikkunalastan takatukikehys |
| 3. Ohjauspaneeli | 22. Ikkunalastan etutukikehys |
| 4. Sarjanumeron levy/Tekniset tiedot/Mukautuvuustodistus | 23. Kupin pidin |
| 5. Ohjauskansi | 24. Palautussäiliön kannen kahva |
| 6. Kaapelin pidin (*) | 25. Palautussäiliön kansi |
| 7. Akkulatauksen ilmoitusvalo | 26. Säiliön runko |
| 8. Uudelleenasetuskytkin | 27. Veden tulon kansi |
| 9. Akun liitin | 28. Harjan kansi |
| 10. Akun kansi | 29. Harja / pehmusteen pidin |
| 11. Imuputki jätteelle | 30. Imujärjestelmän moottori |
| 12. Ikkunalastan juoksutusjohto | 31. Harjan moottori |
| 13. Akkuliittimen turvallisuuskansi | 32. 8" laikka |
| 14. Ikkunalastan nostokahva | 33. Akku |
| 15. Vuodatusletku | 34. Imuputki |
| 16. Ikkunalastan kiinteä nuppi | 35. Laturi (*) |
| 17. Ikkunalastan nipistin | 36. Kelluva suodatin |
| 18. Ikkunalastan terä | 37. Vesitason putki (veden määrän ilmaisemiseksi Liuossäiliössä) |
| 19. Ikkunalastan tukikehys | |

(*) soveltuu ainoastaan koneissa, jotka on jo asennettu alustan laturiin (valinnainen)

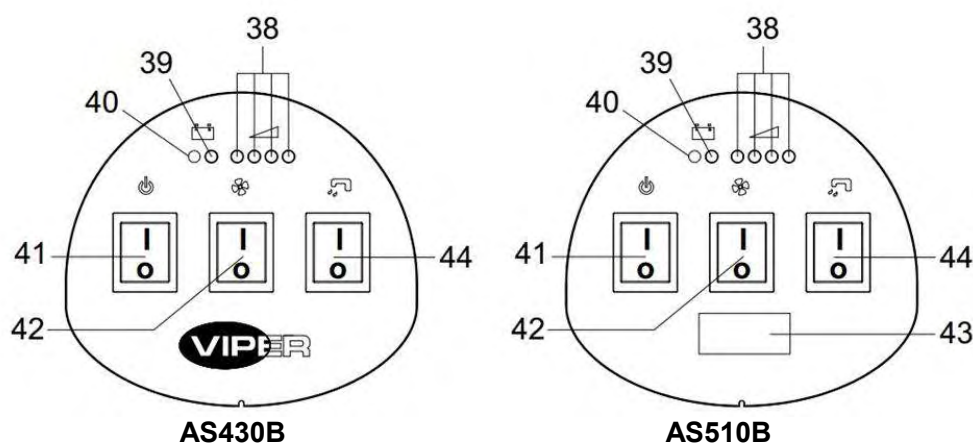
KONEEN RAKENTEEN KUVAT



Kuva 1

OHJAUSPANEELI (Kuva 2)

- 38. Akkulaturin valo (vihreä kastuneena)
- 39. Akun tyhjentynyt valo (punainen)
- 40. Akun tyhjentynyt valo (punainen)
- 41. Virtakytkin
- 42. Imukytkin
- 43. Ajustin (valinnainen, käytetään harjan työskentelyajan tallentamiseksi)
- 44. Solenoidiventtiilin kytkin vesisuihkun hallintaan

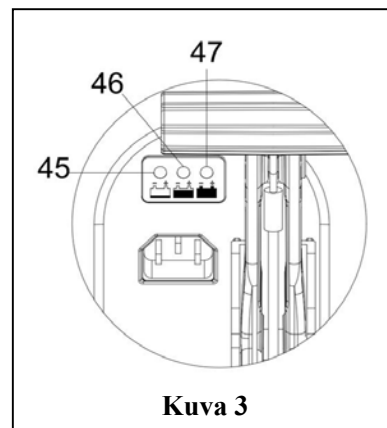


Kuva 2

LATURIN ILMAISUVALON NÄYTTÖ (Kuva 3)

(Valinnainen, soveltuu malleihin, joissa sisäänrakennettu laturi)

1. Kun lataus alkaa, laturin punainen ilmaisuvalo (45) vilkkuu muutaman kerran ja lopettaa vilkkumisen ja palaa punaisena, jolloin se astuu ensimmäiseen latausvaiheeseen;
2. Kun se on ladannut jonkin ajan, laturin punainen ilmaisuvalo (45) sammuu, keltainen ilmaisuvalo (46) syttyy pysyvästi: tällöin se astuu toiseen latausvaiheeseen;
3. Kun se on ladannut noin 10 tuntia, sammuu (46), (47) vihreä ilmaisuvalo palaa pysyvästi, joka ilmaisee, että lataus on valmis, ja se on päättynyt.



HUOM

- 1) Latauksen aikana, jos keltainen ilmaisuvalo vilkkuu: akku ei ole ladattavaa tyyppiä tai akku ei ole kunnolla kytketty, tai on oikosulku lähtöterminaalissa.
- 2) Jos punainen valo vilkkuu: oikosulku on laturin sisällä. (Katso tarkempien tietojen saamiseksi liittyvistä osista laturin ohjeita.)

KÄYTTÖOPAS

VAROITUS

Koneen tietyissä osissa löytyy joitakin viittaavia merkkejä:

- VAARA
- VAROITUS
- VAROIMENPIDE
- KONSULTAATIO



Tätä käsikirjaa lukiessaan käyttäjän on erittäin hyvin tarkkailtava näiden merkkien symboleja. Ei missään tapauksessa saa näitä merkkejä peittää. Jos ne ovat vahingoittuneet, vaihda ne heti.

ASENTAMINEN JA UUDEN KONEEN AKUN ASETUS

VAROITUS

Jos akku on huonosti asennettu tai väärin liitetty, koneen sähkökomponentti voi vahingoittua vakavasti. Akun voi asentaa vain pätevä henkilöstön jäsen. Jos käytetään akkua mallinumeron mukaan (MÄRKÄ tai GEELI), aseta toiminnan piirilevy ja alusta laturi (valinnainen).



**Tarkasta onko akku vahingoittunut ennen asentamista.
Irrota akkuliitin ja alustan laturin pistoke.
Ole varovainen akkua koskiessasi.**

Tämä kone tarvitsee kaksi (2) 12V akkua. Liitä Kuvassa 4 osoitetulla tavalla oikealla puolella.

Tämä kone voi syöttää mitä tahansa seuraavista malleista:

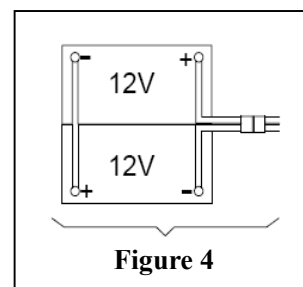
a) Akut (MÄRKÄ tai GEELI/ AGM) ovat jo asennettu ja niitä voidaan käyttää koska tahansa.

1. Tarkasta akku. Liittimen kautta (9) liitä akku koneeseen.
2. (Sovellettavissa ainoastaan AS430B ja AS510B): Paina alas on/off kytkintä (41). Jos vihreä valo on päällä, se näyttää, että akku on valmis käyttöön.

Jos meripihka tai punainen valo palaa, se näyttää, että akkua on ladattava. (Katso jaksoa ylläpidosta liittyvien toimenpiteiden vuoksi).

b) Ilman akkuja

1. Osta samanlainen akku (katso jaksoa teknisistä parametreista). Tiedot akun valinnasta voidaan hankkia pätevaltä akkumyyjältä.



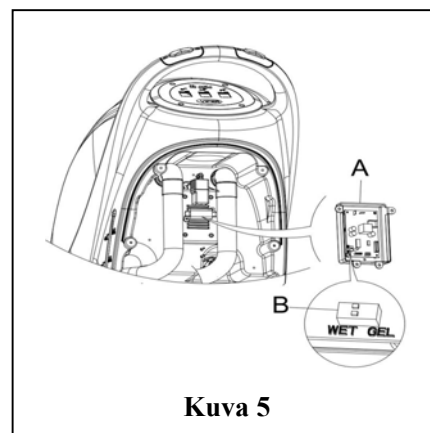
2. Aseta kone ja alustan laturi (jos varustettu) akkutyypin mukaisesti (MÄRKÄ TAI GEELI/AGM). Lue myös seuraava kappale akun asennustavasta.

AKUN ASENTAMINEN JA AKKUTYYPIN ASETUS (MÄRKÄ TAI GEELI/AGM)

Akkutyypistä riippuen (MÄRKÄ tai GEELI/AGM) aseta sähköpiirilauta alustan lateriin.

Toimenpide menee seuraavasti:

1. Varmista, että akun liitin on irrotettu. Jos kone perustuu "AGM" akkuun entisen tehtaan aikana, mene suoraan vaiheeseen 8; muuten, täydennä vaiheet 2, 3, ja 4.
2. Ota vuotoletku pois (15)
3. Jos varustettu alustan laturilla, ota laturing johto pois kelasta.
4. Ota ohjauskansi (5), ja akun kannen ruuvit pois (10). Poista ruuvit PCB-jalustasta. DIP-kytkin (B) akkumallin asettamiseksi voidaan nähdä, kun käännetään PCB-alusta yli. (Katso Kuvaa 5)
5. Säädä mikro DIP-kytkin (B) asentoon "MÄRKÄ".
6. Suorita askeleet 3, 4 ja 5 päinvastaisessa järjestyksessä.



Kuva 5

Akkujen asentaminen

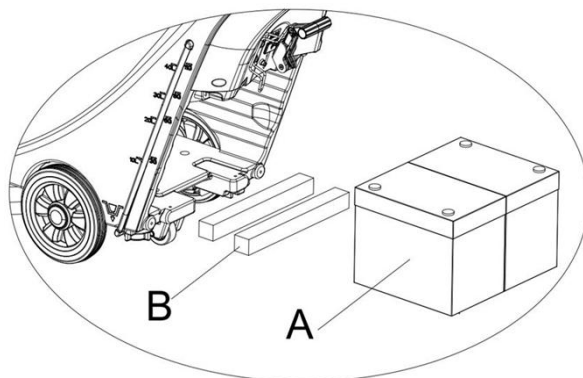
7. Irrota akun liitin (9).
8. Avaa palautussäiliön kansi (25) ja tarasta, onko palautussäiliö tyhjä vai ei; jos ei, tyhjennä se vuodatusletkun kautta (15).
9. Avaa ikkunalastan kiinnitetyn nupin ruuvi (16), ota se liitin pois, joka yhdistää imuputken jätteelle (11) ikkunalastaan ja ota ikkunalasta pois.
10. Ruuvaa akkukannen ruuvit auki (10) ja poista kansi.
11. Ruuvaa ikkunalastan asettelujohdon liitin auki (12) joka kiinnittää ikkunalasta telineen (19), ja ripusta ikkunalastan asetusjohto ylöspäin.
12. Ripusta vuodatusletku (15) ja imuputki jätteelle (11) ylöspäin.
13. Työnnä akun koon mukaan kiinnitysalusta akkulokeroon täysin sisäänpäin.



HUOM

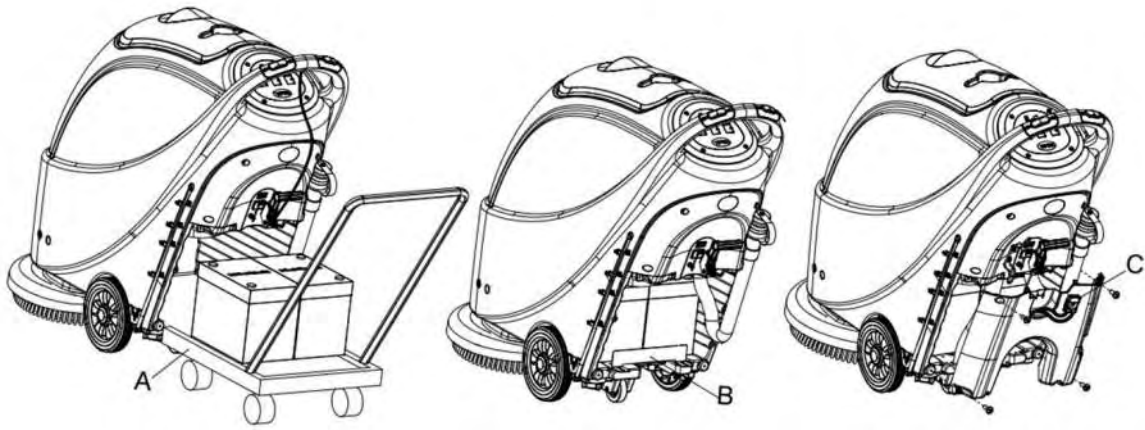
Akun mitat eivät saa ylittää seuraavia mittoja: K x L x P: 330mm x 170mm x 260mm. Ei akkumittojen vaihtelun mukaan kiinteiden akkujen valintavaatimus on seuraava:

- 1) Akkujen tapauksessa, joiden pituus on alle 270mm, käytä kiinteän alustan 2 kappaletta (B, Kuva 6) ja sijoita ne vierekkäin vesisäiliön akkuun;
- 2) Akkujen tapauksessa, joiden pituus on välillä 310mm ja 270mm, käytä 1 kiinteän alustan kappale (B, Kuva 6) ja sijoita se vesisäiliön akkuun;
- 3) Akkujen tapauksessa, joiden pituus on välillä 330mm ja 310mm, ei ole tarvetta kiinteälle alustalle asennon korjaamiseksi.



Kuva 6

14. Asenna akku, jolla on erityisesti valmistetut akun asennusvälineet (A, Kuva 7). Kun akku on asennettu, poista akun asennusvälineet, ja asenna akun kiinnitysterline (B, Kuva 7).



Kuva 7

15. Laita akun liitin (C, Kuva 7) akkulokeron kannen aukon läpi, laita vuodatusletku akkulokeron kannen oikean aukon läpi, kiinnitä akkulokeron kansi 4 ruuvilla ja asenna ikkunalastan asetusjohto, vuodatusletku ja ikkunalasta peräkkäin.

Akun lataaminen

16. Akun lataamiseksi (katso vaiheet ylläpitojaksossa selitettynä).

ENNEN KONEEN KÄYNNISTÄMISTÄ

HARJAN / PEHMUSTEEN PITIMEN ASENTAMINEN JA LASTAAMINEN



HUOM

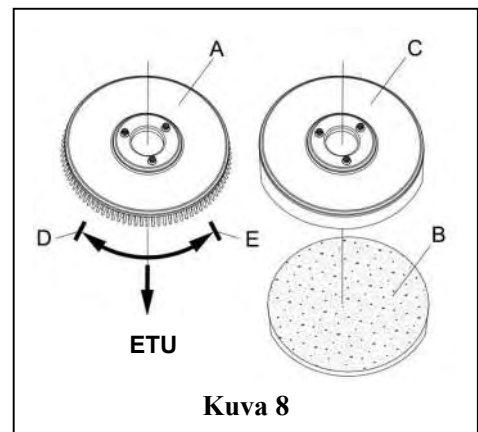
Puhdistettavan lattiatyypin mukaan kone voidaan asentaa harjalla (Kuva8, A), tai pehmusteen pitimiellä (Kuva 8, B ja C).



VAARA!

Harja/pehmusteen pitimen manuaalisen asennuksen tai poistamisen tapauksessa tarkasta ensin, että kaikki kytkimet ovat pois-asennossa ja nosta ikkunalasta pois lattialta, jonka jälkeen voidaan työskennellä harjan tai pehmusteen pitimen kanssa. Lisäksi käytä suojakäsineitä jottet leikkaa itseäsi sirpaleilla.

- (Soveltuu vain **AS430B** ja **AS510B**): varmista, että kytkin (41) on poiskytketyssä (O) tilassa.
- Paina käsitankoa alas (2) säiliön rungon nostamiseksi (26).
- Laita harja (A) tai pehmusteen pidin (B – C) kotelon alle.
- Käytä kahvatankoa (2) säiliön rungon alentamiseksi (26) voidaksesi päästä kosketuksiin harjan tai pehmusteen pitimen kanssa.
- Asenna harjan/pehmusteen pitimen automaattisesti kääntämällä virtakytkintä (41) "I" asentoon ja painamalla alas turvallisuuskytkintä (1). Työnnä varovasti konetta eteenpäin siten, että sallit hihnalaikan säiliön rungon alaosassa rinnastaa harjan tai pehmusteen pitimen kanssa, joka voidaan sitten asentaa. Vapauta sitten turvallisuuskytkin. Jos tarpeen, toista tämä toimenpide, kunnes harja/pehmusteen pidin on asennettu.
- Jos vaihe 5 yläpuolella tuntuu olevan liian vaikea, käytä manuaalista menetelmää seuraamalla nuolen päätä (D) harjan/pehmusteen pitimen asentamiseksi (kuten Kuvassa 8 näytetään).
- Lastataksesi harjan/pehmusteen pitimen automaattisesti, käännä virtakytkin (41) "O" asemaan. Käytä kahvaa kahvatangon pitämiseksi ja paina konetta alaspäin, kunnes opaslaikka koskettaa lattiaa ja harja/pehmusteen pidin roikkuu ilmassa. Kytke virtakytkin (41) "I" asentoon ja paina alas turvallisuuskytkintä antaaksesi harjan tai pehmusteen pitimen kääntyä, kunnes harja/pehmusteen pidin putoaa lattialle.

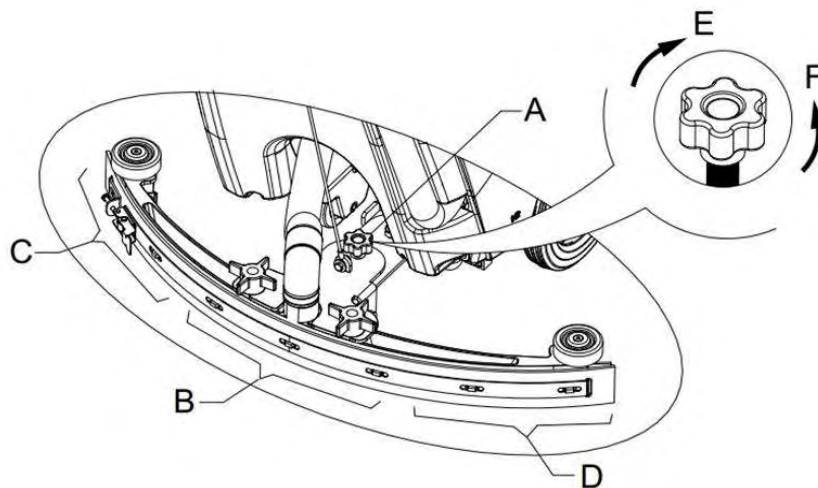


Kuva 8

8. Jos vaihe 7 yläpuolella tuntuu olevan liian vaikea, käytä manuaalista menetelmää kääntämällä harjaa/pehmusteen pidintä normaalia menosuuntaa vastakkaiseen suuntaan, ja se voidaan poistaa. (Kuten kuvassa 8 näkyvä)

IKKUNALASTAN TASAPAINON SÄÄTÄMINEN

9. Asenna ikkunalasta ja käännä se kireälle kahvan avulla. Liitä imuputki ikkunalastaan.
10. Säädä ikkunalasta säätökahvan läpi (A) ikkunalastassa (katso Kuvaa 9).
- 1) Jos taka ikkunalastan raidan keskiosassa, jaksossa B, on rako lattialla tai alaspaine on suhteellisen kevyt, säädä kahvaa vastapäivään, kunnes takaikkunalastan koko pituus koskettaa lattiaa. Etuikkunalastan raidan on koskettava kevyesti lattiaa.
 - 2) Jos takakikkunalastan raidan kahdessa päässä, jaksossa C ja D on aukko lattialla tai alaspäinpaine on suhteellisen kevyt, säädä kahvaa myötäpäivään, kunnes takaikkunalastan koko pituus koskettaa myös lattiaa. Etuikkunalastan radian on kevyesti koskettava lattiaa.



Kuva 9

Liuosäiliön täyttö



VAARA!

Ainoastaan matalavaahtoisia, ei syttyviä pesuaineita voidaan käyttää. Nämä pesuaineet sopivat kaikkiin kaasunpesulaitteisiin.

11. Avaa veden tulokansi (27) ja lisää vesi liuosäiliöön. Älä täytä säiliötä yli. Lähimmän veden tulon suodattimen reunaan asti täyttäminen riittää. Kun valmistat puhdistusliuoksen, noudata tislauksarvoja, joita toimitettiin kemikaalin valmistukseen ja veden lämpötila ei saa ylittää 40⁰ C.

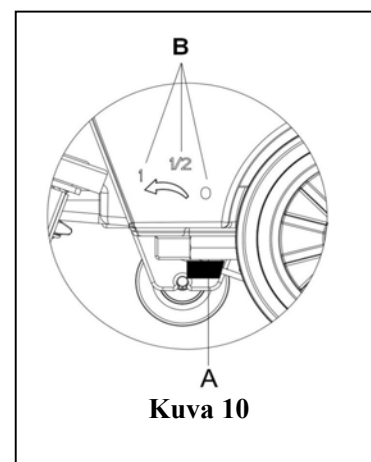
VEDENVIRTAUKSEN VOLYYMIN SÄÄTELY



VAROITUS!

Palloventtiilin kahvan säätely (A, Kuva 10) on tehtävä siinä tilassa, kun virtakytkin (41) on "O" asennossa.

12. Veden volyymin virtaus voidaan säätää palloventtiilin kahvan kautta (A, Kuva 10) mukaisesti lattian hankaamiseen.



Kuva 10

KONEEN KÄYNNISTYS JA PYSÄYTYS

Koneen käynnistäminen

1. Suorita esivalmistusvaiheet yllä mainitulla tavalla.
2. Paina virtakytkin (41) "I" asentoon.
3. Käytä ikkunalastan kahvaa (41) sen alentamiseksi.
4. Paina imupumpun kytkin (42) "I" asentoon.
5. Paina vedenvirtausvolyymin hallintakytkin (44) "I" asentoon. (Työskentele samanaikaisesti turvallisuuskytkimellä (1) solenoidiventtiilin työn hallitsemiseksi.)

6. Pidä turvallisuuskytkimestä (1) ja työnnä koneen liikuttamiseksi. Harja (29) alkaa pyörimään, ja kone aloittaa puhdistustyön.



KONSULTAATIO: Koneen työntötapa

Yksi koneen ominaisuus on kahden turvallisuuskytkimen asentaminen kahvatangon molemmilla puolilla. Jokainen turvallisuuskytkin kykenee hallitsemaan itsenäisesti harjan toimintaa. Käytössä se helpottaa koneen toiminnan hallintaa.

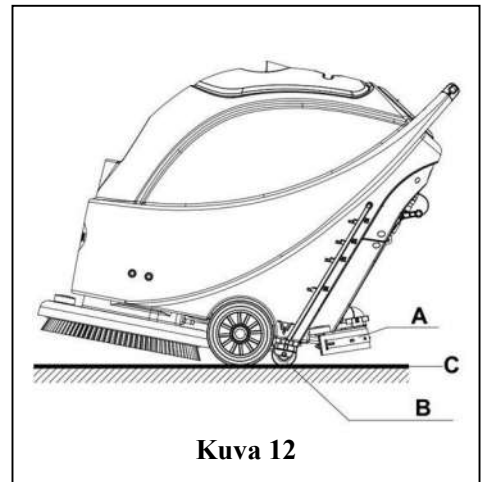
Kokemuksen perusteella koneen liikuttamistapa näytetty oikealla Kuvassa 11 sopii paremmin, käyttäjä tuntee sen mukavammaksi kädessä se vähentää työväsymystä. Joten käyttäjille suositellaan koneen liikuttamista tällä tavalla.



Kuva 11

Kytke kone pois

7. Kun olet lopettanut koneen käytön, purkaa ensin harja/pehmike pidin (viittaa harjan/pehmike pitimen asennus ja purkamisen jaksossa mainittuihin osiin)
8. Vaauta turvallisuuskytkin (1) harjan/pehmike pitimen ja solenoidiventtiin pois kytkemiseksi.
9. Paina imupumpun kytkin (42) "O" asentoon, ja imupumppu viivästyy 5 sekunin ajan ennen työn lopettamista.
10. Paina vedenvirtausvolyymin hallintakytkin (44) "O" asentoon kytkeäksesi solenoidiventtiin työ kokonaan pois.
11. Paina virtakytkin (41) "O" asentoon.
12. Käytä ikkunantaltan nostokahvaa (14) sen nostamiseksi.
13. Tarraa kahvatankoa (2) ja kallista konetta hennosti taaksepäin, kunnes opaslaikka (B) koskettaa lattiaa. Katso kuvaa 12.



Kuva 12

KONEEN TOIMINTA (HANKAAMINEN JA KUIVAUS)

1. Käynnistä kone ylläolevan kuvauksen mukaisesti.
2. Pidä turvallisuuskytkintä (1) (Kuvassa 11 näytetyllä tavalla), työnnä koneen liikuttamiseksi ja aloita puhdistustyö.
3. Jos tarpeen, kytke kone pois ja säädä ikkunalastan säätelykahvaa. (Katso vaiheet ikkunalastan tasapainon säätämisestä)
4. Jos tarpeen, kytke kone pois ja säädä vedenvirtauksen volyyymiä palloventtiin kahvalla. (Katso vedenvirtauksen volyyymien säädön vaiheet.)



VAARA!

Voidaksesi välttää lattian vahingoittamista, kun kone pysyy yhdessä paikassa ilman liikkumista, kytke virtakytkin pois (41).

Akun purkaus toiminnan aikana

5. Se tapahtuu vain, kun vihreä varoitusvalo (38) palaa jatkuvasti, että akun virransyöttö riittää koneen normaaliin toimintaan.

HUOM

Kun kaikki neljä vihreää valoa (38) on kytketty päälle, se osoittaa, että akku on täysin ladattu.



Kun ainoastaan viimeinen vihreä valo (38) on paella, ja alkaa vilkkumaan, suosittele akun lataamista, koska kone pysähtyy automaattisesti muutaman minuutin jälkeen.

Kun viimeinen vihreä valo (38) kytkeytyy pois ja punaiset valot (39 ja 40) alkavat vilkkumaan, kone pysähtyy automaattisesti muutaman sekunnin jälkeen. (Katso ylläpito-jaksoon liittyviä vaihteita).

**VAARA!**

Älä käytä konetta, kun akun virransyöttö ei ole riittävä, voidaksesi ehkäistä akun vahingoitumisen ja akun käyttöiän lyhenemisen.

SÄILIÖN TYHJENTÄMINEN

Kun palautussäiliö on täynnä, kelluva automaattisessa kelluvassa sulkulaitteessa (36) estää tulon, joka yhdistää imupumpun. Melun yhtäkkisen lisääntymisen kautta imupumpusta voidaan harkita, että imupumppi on jo ylläastattu ja jäteveden välitön vuodatus on tarpeen.

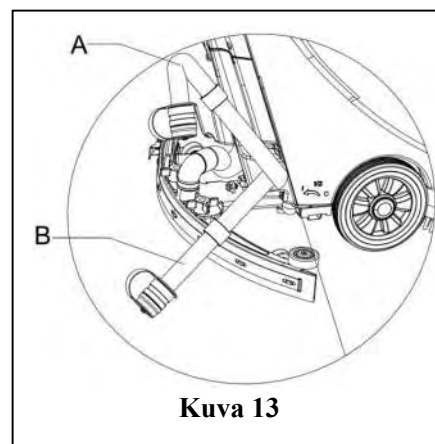
VAARA!

Jos imupumppi kytketään yhtäkkiä pois (esim. Koska kone liikauttaa jonka tuloksena kelluva akivoituu), ja jos toiminnan takaisinotto on tarpeen, suorita seuraavat askeleet: paina virtakytkintä (41 ja 42) virran ja imupumpun pois kytkemiseksi ja avaa palautussäiliön kansi (25) sen tarkastamiseksi, onko kelluva kelluvassa suodattimessa palautettu veden pinnalle. Sulje sitten palautussäiliön kansi (25), ja paina virtakytkintä (41 ja 42) virran ja imupumpun päälle kytkemiseksi.

Kun palautussäiliö on täynnä jätevedtä, noudata seuraavia vaihteita sen vuodattamiseksi.

Palautussäiliön tyhjentäminen

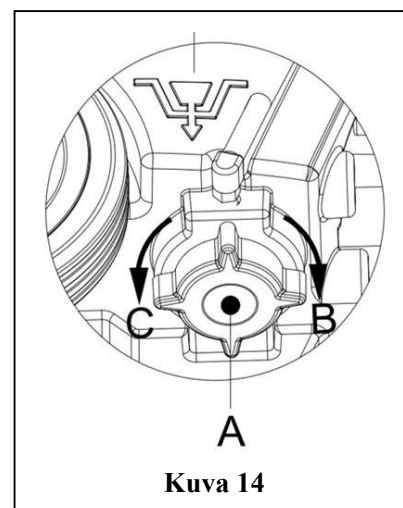
1. Kytke kone pois.
2. Käyttämällä ikkunalastan kahvaa (14), nosta ikkunalasta.
3. Liikuta konetta sille omistetulle kaatopaikalle.
4. Tarraa kahvantanko (2) ja kallista konetta taaksepäin, kunnes opaslaikka koskettaa lattiaa. (Koneen telakoimiseksi katso koneen pysäyttäminen jakson toimepiteitä.)
5. Ota vuodatusletku pois kiinnitysniipistimestä, taita vuodatusletkun yläosaa (kuten **A**, **Kuvassa 13** näytetään), avaa sitten vuodatusletkun kansi, alenna vuodatusletku alhaiselle tasolle tai maahan veden vuodattamiseksi. Vaihtoehtoisesti, sijoita vuodatusletku suoraan alhaiselle tasolle tai maahan veden lähden alaspäin katsomiseksi (kuten **B**, **Kuvassa 13** näytetään), ja väännä sitten veden vuodatuskansi auki jäteveden vuodattamiseksi säiliöön. Kun vuodatus on valmis, käytä puhdasta vettä palautussäiliöiden sisäosan puhdistamiseksi.

**VAARA!**

Jäteveden vuodattamisen yhteydessä imuputki jätevedelle on taitettava tai alennettava alempaan asentoon (kuten **Kuvassa 13 A** tai **B** näkyy), ja sitten avattava imuputken kansi jätteelle veden vuodattamiseksi. Älä tee jäteveden imuputken lähdestä pystysuoraa voidaksesi vuodattaa vettä pystysuoraan. Tämä on jäteveden roiskumisen ehkäisemiseksi käyttäjän päälle.

Liuosäiliön tyhjentäminen

6. Suorita vaiheet 1 - 4.
7. Kuva **Kuvassa 14** näytetään, käännä Liuosäiliön kansi auki (A) vastapäivään suuntaan C, ja vuodata Liuosäiliö täysin. Käytä puhdasta vettä Liuosäiliön sisäosan pesemiseksi. Kun työ on valmis, käännä Liuosäiliön kansi kireästi (A) myötäpäivään suuntaan B.

**KONEEN KÄYTÖN JÄLKEEN**

Kun työ on valmis ja ennen koneen jättämistä suorita seuraavat vaiheet:

1. Noudata toimenpiteitä, kuten aikaisemmassa jaksossa kuvataan harjan/pehmuste pitimen asentamisesta ja purkamisesta ja ota harja/pehmuste pidin pois.
2. Noudata toimenpiteitä liittyvissä jaksoissa kuvattuna, vuodata vesi täysin Liuosäiliössä ja palautussäiliössä.
3. Suorita päivittäiset ylläpitotoimenpiteet (katso jaksoa ylläpidosta).

4. Varastoi kone, mukaan lukien harja/pehmuste pidin ja ikkunalasta, puhtaassa ja kuivassa paikassa. Ikkunalasta on nostettava ja otettava pois.

TOIMEETTOMUUSAJANJAKSOT

Jos konetta ei käytetä yli 30 päivään, käsittele sitä seuraavalla tavalla:

1. Suorita tarpeelliset toimenpiteet joita on noudatettava koneen käytön jälkeen.
2. Irrota liitin (9) joka yhdistää akun ja koneen.
3. Jottei akulle tapahtuisi vahinkoa, ja jos konetta ei käytetä yli 3 kuukauteen, lataa akku kerran 3 kuukaudessa.

KÄYTTÖ ENSIMMÄISTÄ KERTAA

Kun olet käyttänyt sitä ensimmäisen 9 tunnin ajan, tarkasta kaikki osat sen varmistamiseksi, että se ei ole löystynyt tai vahingoittunut toiminnan aikana, ja tarkasta, onko siinä näkyviä vahinkoja tai vuotoja.

YLLÄPITO JA HUOLTO

Koneen huoltoikä ja maksimi toimintaturvallisuus on varmistettu sopivalla ja hyvin ajoitettu ylläpidolla ja huollolla.

Seuraava taulukko tarjoaa yleisen ylläpitosuunnitelman koneelle. Ylläpidon aikavälit on määritelty suurimmaksi osaksi koneen työolosuhteen kautta. Nämä aikavälit on ylläpidosta vastuussa olevan henkilöstön muodostettava.



VAROITUS!

Anoastaan kun koneesta on kytketty virta pois ja yhteys koneen ja akun välillä on katkaistu, voidaan nämä toimenpiteet suorittaa. Ennen minkään ylläpitotoimenpiteen suorittamista tutki tarkalleen liittyvät turvallisuusjaksot.

Kaikki ylläpidot suunnitelmassa tai lisäylläpidot on pätevän henkilöstön tai valtuutetun huoltokeskuksen suoritettava.

Tämä käsikirja liittyy ainoastaan yksinkertaisimpiin ja kaikkein yleisimpiin ylläpitotoimenpiteisiin.

Kaikkien muiden ylläpitotoimenpiteiden tapauksessa, kuin mitä suunnitellun ylläpidon taulukossa löytyy katso huoltokeskuksen ylläpitokäsikirjaa.

YLLÄPITO AIKATAULU

Toimenpide	Päivittäin, Kone käytön jälkeen	Viikottain	6 kuukaude n välein	Vuosittain
Lataa akku				
Puhdista ikkunalasta				
Puhdista harja/pehmusteen pidin				
Puhdista vesisäiliö ja kelluva suodatin, tarkasta eristysraidat vesitankilla				
Tarkasta ja muuta ikkunalastan raita				
Puhdista liuossuodatin				
Puhdista imupumpun suodatin				
Tarkasta MÄRKÄ-akun nestetaso				
Tarkasta mutterien ja pulttien kireys			(1)	
Tutki tai muuta harjan/pehmusteen pitimen moottorin hiiliharjan				(2)
Tutki tai muuta Imupumpun hiiliharja				(2)

(1) Se on suoritettava 9 tuntia koneen työn aloittamisen jälkeen.

(2) Nämä ylläpitotoimenpiteet on valtuutetun VIPER-huoltokeskuksen suoritettava.

AKUN LATAUS

**HUOM**

On aika vaihtaa akku, kun meripihkan tai punaisen värinen valo syttyy, tai joka kerta, kun työ on valmis.

**VAARA!**

Pidä akku täysin ladatussa kunnossa voidaksesi pidentää akun käyttöiän.

**VAARA!**

Kun akun virta ei ole riittävä, akku on ladattava mahdollisimman heti. Tarkasta laturi ainakin kerran viikossa.

**VAARA!**

Jos alustan laturi ei ole annettu mukana, valitse sopiva ulkoinen laturi akun lataamiseksi.

**VAROITUS!**

On oltava erityisen varovainen akkua ladattaessa, koska siitä voi vuotaa happoa lataustoimenpiteen aikana. Akkuhappo on syövyttävää. Jos sitä joutuu vahingossa silmään tai iholle, huuhtelee runsaalla vedellä ja mene lääkäriin.

1. Avaa palautussäiliön kansi (25) ja tarkasta, onko palautussäiliö tyhjä vai ei. Jos ei ole tyhjä, tyhjennä se vuodatusletkun avulla. (15).
2. Siirrä kone määrätyle latausaluelle.
3. Paina virtakytkin (41) "O" asetoon koneen pois kytkemiseksi.
4. Ainoastaan MÄRKÄ vedenlisäakkua saa käyttää
 - Tarkasta elektrolyyttien taso akun sisällä. Jos tarpeen, täytä kannen kautta.
 - Pidä kaikki kannet auki.
 - Jos tarpeen, puhdista akun päällysosa.
5. Valitse yksi seuraavista toimenpiteistä akun lataamiseksi käyttämäsi akun mallin mukaisesti.

Akun lataaminen ulkoisella laturilla

6. Tarkasta, liittyvän käsikirjan mukaisesti, sopiiko ulkoinen laturi. Lähtöjännitteen on oltava tasavirta 24V.
7. Liitä akun liitin ulkoiseen liittimeen, ja liitä ulkoinen liitin päälliittimeen.
8. Kun laturi on valmis, liitä akun lataava liitin koneeseen.

Akun lataaminen alustan laturilla (valinnainen)

- Ota kumikansi pois akun lataavan liittimen päädystä.
- Liitä akkuliittimen pääty päävirtaan latausliitinjohdon kanssa. (Ota huomioon, onko alustan laturin tulojännite 220V – 240V ja lähtöjännite 24V ja taajuus on vaatimusten mukainen.) Kun laturi on liitetty päävirtaan, kaikki toiminnot katkaistaan automaattisesti. Jos punainen varoitusvalo on alustan laturissa paella ja valo palaa, joka näyttää että laturi lataa akkua.
- Kun vihreä varoitusvalo (47) on päällä, se näyttää, että akun lataustoimenpide on valmis.
- Kun lataus on valmis, ota liitosjohto pois akun latausliitimestä ja päävirrasta, ja laita kumikansi päälle.
- Irrota laturin johto päävirrasta, ja kierrä johto kelalle (6).

**HUOM**

Jos tarvitse lisätietoja alustan laturista (35), katso liittyvästä käsikirjasta.

IKKUNALASTAN PUHDISTAMINEN**HUOM**

Voidaksesi ylläpitää veden imun optimaalisen tehokkuuden, on ikkunalastan raitaa pidettävä puhtaana, ja sen on pysyttävä hyvässä kunnossa.

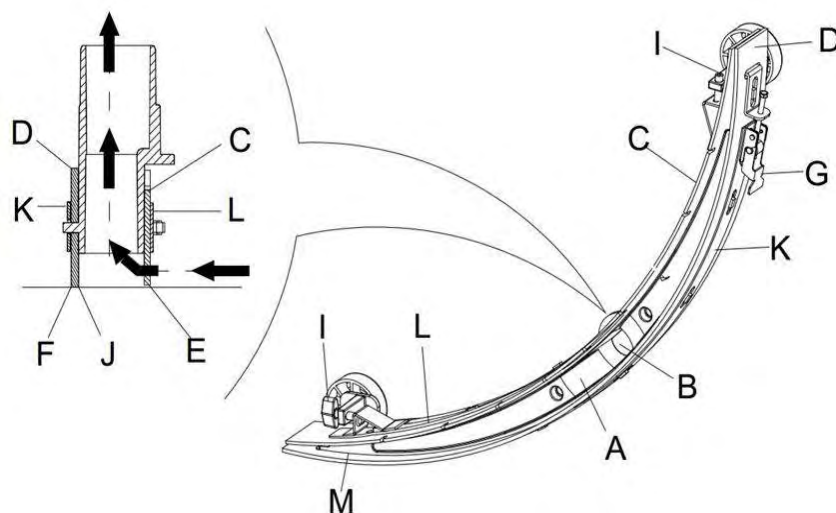
**VAARA!**

Kun ikkunalasta puhdistetaan, suositellaan suojakäsineiden käyttöä, koska ikkunalasta voi sisältää teräviä osasia.

- Liikuta konetta tasaiselle ja sileälle pinnalle.
- Paina virtakytkin (41) "O" asentoon koneen pois kytkemiseksi.
- Ruuvaa kiinteä kahva auki (16) ikkunalastalla; ota liitin pois, joka kiinnittää ikkunataltan Palautusimuputken, ja irrota ikkunataltta.
- Käytä ikkunataltan nostokahvaa (14) ikkunataltan tukikehyksen nostamiseksi.
- Puhdista ikkunataltta (Kuva 15). Puhdista erityisesti ura (A, Kuva 15) ja lika sekä imuputken osasista. Tarkasta, onko etu ikkunalastan terä (C) ja taka ikkunalastan terä (D) eheät, ja onko siinä rikkiäiset reunat ja raot. Muuta ne, jos tarpeen (katso vaiheita seuraavassa osassa).
- Asenna ikkunalasta uudelleen päinvastaisessa järjestyksessä.

IKKUNALASTAN TERÄN TARKASTUS JA VAIHTO

- Noudata menetelmiä, jotka liittyvät edelliseen ikkunalastan puhdistusjaksoon (Kuva 15)
- Tarkasta etu ikkunalastan terän reuna (E, Kuva 15) ja taka ikkunalastan terän reuna (F) (D). Koko pituudelta niiden on oltava samalla tasolla. Säädä niiden korkeutta muuten seuraavan toimenpiteen kautta.
 - Löysää nipistin (G) voidaksesi erottaa taka ikkunalastan terän (D) kehyksestä (M) ikkunalastan asennon säätämiseksi. Lukitse nipistin uudelleen säädön jälkeen.
 - Löysää kahvan ruuvia (I) etu ikkunalastan terän säätämiseksi (C); kiristä kahvan ruuvi säädön jälkeen.
- Tarkasta onko etu ikkunalastan terä (C) ja taka ikkunalastan terä (D) ehjä ja onko siinä rikkiäisiä reunoja ja halkeamia. Jos tarpeen, muuta ne seuraavin tavoin. Tarkasta taka ikkunalastan terän etureuna (J) kulumisen vuoksi. Jos se on kulunut, se voidaan asentaa ylösalaisin (yläreunan on oltava ehjä). Jos yläreuna ei ole kulunut, muuta se noudattamalla alla olevia toimenpiteitä:
 - Löysää nipistin (G) antaaksesi paineterän erota kehyksestä (M), ota nipistintanko pois (K), ja muuta sitten tai käännä taka ikkunalasta (D) ylösalaisin. Asenna taka ikkunalastan terä päinvastaisessa suunnassa uudelleen sen poistamiseksi.
 - Löysää kahvan ruuvi (I) ja ota etunipistintanko pois (L), ja muuta sitten etupuolen ikkunalasta (C).
Asenna etupuolen ikkunalastan terä uudelleen päinvastaisessa suunnassa sen poistamiseksi. Ikkunalastan terän vaihdon jälkeen (tai sen ylösalaisin asentamisen jälkeen) säädä etu- ja taka ikkunalastan terät ylläolevien toimenpiteiden mukaisesti.
- Liitä Imuputki (11) ikkunalastaan.
- Asenna ikkunalasta ja käytä nuppia (16) sen kiristämiseksi, liitä sitten Imuputki ikkunalastaan.
- Jos tarpeen, säädä ikkunalasta käsilaikan säädön kautta (20) (katso toimenpiteitä ikkunalastan tasapainon säätämiseksi).



Kuva 15

HARJAN/KIILLOTUSTYYNYN PUHDISTAMINEN



VAARA!

Harjaa/pehmusteen pidintä puhdistettaessa suositellaan suojalasien käyttöä, koska ne voivat sisältää teräviä osia.

1. Kuten aikaisemmissa jaksoissa mainittiin, ota harja/pehmusteen pidin pois.
2. Puhdista harja/pehmusteen pidin vedellä ja puhdistusaineella.
3. Tarkasta harjan harjasten täydellisyys ja kulumistila ja, jos tarpeen, vaihda harja.
4. Tarkasta pehmusteen pitimen kulumistila ja jos tarpeen vaihda pehmusteen pidin.

VESISÄILIÖN JA KELLUVAN SUODATINSILMIKON PUHDISTAMINEN

- 1 Siirrä kone omistetulle kippauspaikalle.
- 2 Paina virtakytkin (41) "O" asentoon koneen pois kytkemiseksi.
- 3 Avaa palautussäiliön kansi (A, Kuva 16), ja ota kelluva laite pois (36) palautussäiliöstä.
- 4 Käytä puhdasta vettä palautussäiliön kannen (A), säiliön (B ja C), ja kelluvan suodatintukikehysten puhdistamiseksi (E). Palautusputken kautta (15), vuodata kaikki vesi vesisäiliöstä.
- 5 Jos tarpeen, noudata symboleja "Avaa" ja "Sulje" kuten Kuvassa 16 näytetään, avaa kelluvan suodattimen alakansi (F) ja puhdista kelluva (D), kelluva tukikehys (E), ja suodattimen sieni (I). Puhdistamisen jälkeen kiinnitä kelluva kelluvan suodattimen tukikehykseen (E), ja rinnasta sitten kelluvan suodattimen merkin ura (L) (F) kelluvassa suodattimessa uramerkillä (L) kelluvassa tukikehyksessä (E). Käännä kelluvan suodattimen alakansi (F) kireästi, ja kiinnitä suodattimen sieni (I) kelluvan suodattimen tukikehykseen (E), sekä imuputken päälle (M).
- 6 Tarkasta tiivistysrenkaan tiiviys (G) vesisäiliön kannessa.

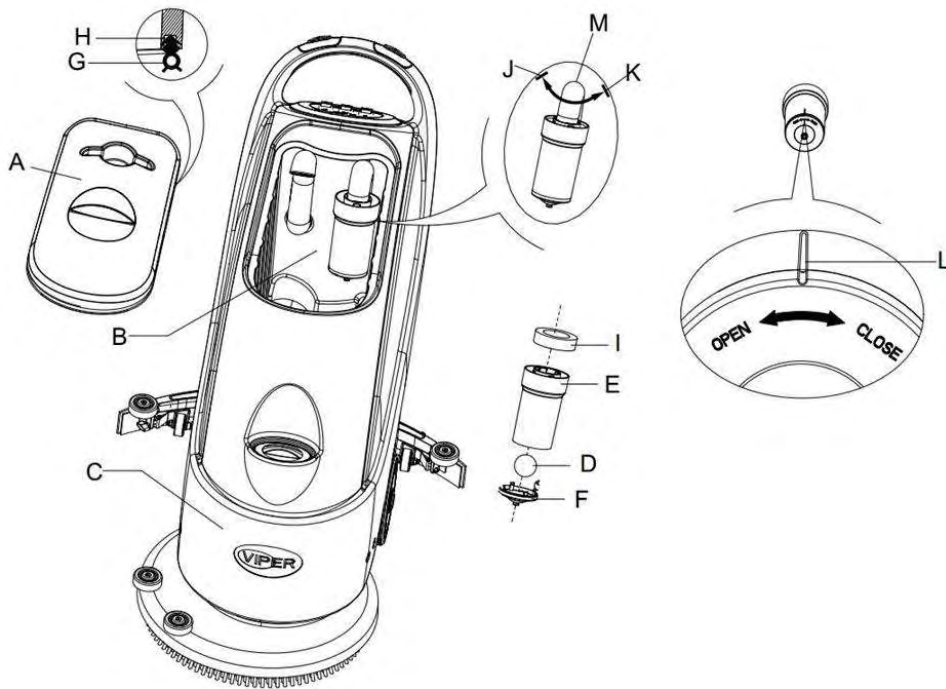


HUOM

Vesisäiliön eristysraita (G) tekee vesisäiliön luonnissa tyhjiön. Sen on oltava täysin eristetty voidakseen tehokkaasti imeä jäteveden lattialta.

Jos tarpeen, vesisäiliön eristyssäiliö (G) voidaan poistaa urasta (H) ja muuttaa. Kun kokoat uuden vesisäiliön eristysraitaa Kuvassa 16 osoitetulla tavalla, asena liitin takaosan keskijaksoon.

- 7 Tarkasta, onko eristysraidan vastaanottava pinta (G) ehjä ja eristää sopivalla tavalla.
- 8 Sulje palautussäiliön kansi (A).



Kuva 16

LIUSSUODATTIMEN PUHDISTAMINEN

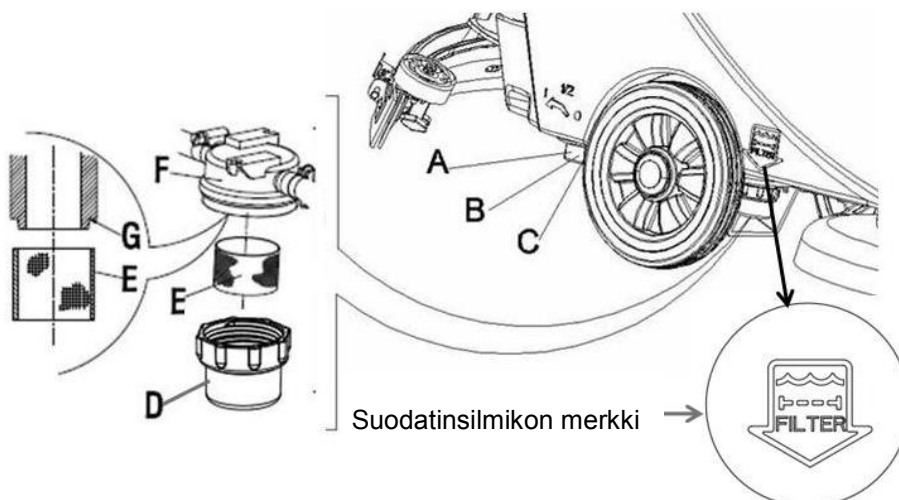
1. Vuodata kaikki vesi Liuossäiliöstä, kuten liittyvissä jakoissa esitetään.
2. Siirrä kone tasaiselle ja sileälle pinnalle.
3. Paina virtakytkin (41) "O" asentoon koneen pois kytkemiseksi.
4. Kytke vuodatuspalloventtiili pois (A, Kuva 17) (löytyy koneen alaosassa, laikkojen takana). Sijoita B palloventtiili auki ja sijoita C palloventtiili kiinni.
5. Ota läpinäkyvä kansi pois (D), ja ota sitten suodatin pois (E), ja asenna ne suodatinlokeron päälle (F) puhdistamisen jälkeen.



HUOM

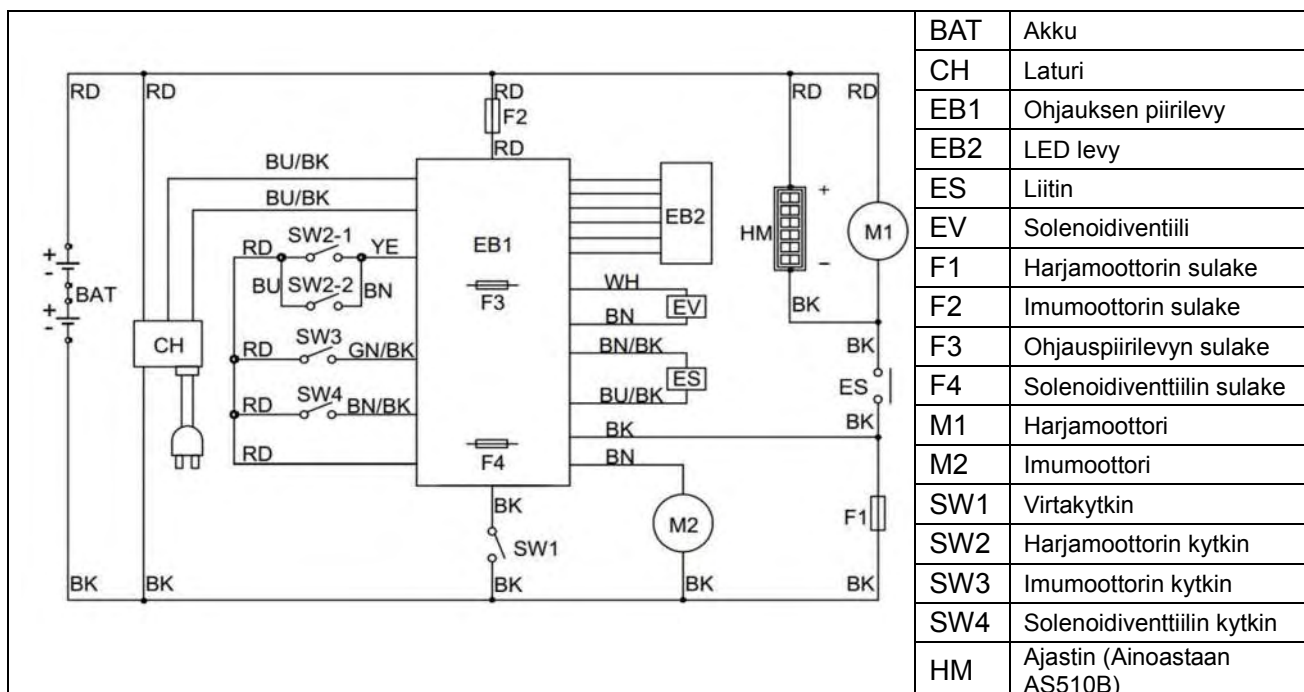
Suodatin (E) on asennettava tarkasti ulokkeen asemalle (G).

6. Avaa vuodatuspalloventtiili (A).



Kuva 17

AS430B JA AS510B VIRTAPIIRIKUVA



VÄRIKODIT

RD: Punainen	BN: Ruskea	BU/BK: Sininen /Musta
BU: Sininen	YE: Keltainen	GN/BK: Vihreä/Musta
BK: Musta	WH: Valkoinen	BN/BK: Ruskea/Musta

VIANMÄÄRITYS

Toimintahäiriö	Mahdolliset syyt	Korjaukset
Kone ei toimi: Merkkivalo ei pala	Akun liitin (9) ei ole liitetty.	Liitä akun liitin
	Akkuvirta on jo kulunut	Lataa akku
Varoitusvalot (39 ja 40) vilkkuvat	Harjamoottori on ylikuormittunut	Muuta pehmeään harjaan puhdistettavaan sopeuttamiseksi lattiaan
	Muu aine on jumittunut harjan pyörintään	Puhdista harja
Harja ei toimi	Harjan sulake kaatui pois	Aseta uudelleen
	Hihna on liukas	Tarkasta hihna, säädä kireyden väkipyörä
Imumoottori ei toimi	Imusulake kaatui	Aseta uudelleen
Riittämätön imu	Jätevesisäiliö on täynnä.	Vuodata vesisäiliö
	Imuputki jätteelle ja ikkunalastalle ei ole oikein liitetty	Liitä imuputki jätteelle ja ikkunalastalle
	Kelluva suodatin on estetty tai tulo estetty	Puhdista kelluva suodatin, takrasta kelluva pallo
	Ikkunalasta on likainen tai ikkunalastan terä kulunut ja vahingoittunut	Puhdista ja tarkasta ikkunalasta
	Palautussäiliön kansi ei ole sopivasti kytketty päälle, tai veden eristysraidan säiliö on vahingoittunut	Sovita kansi sopivasti uudelleen, tai vaihda vesisäiliön eristeraita
Puhdas vesisyöttö harjalle ei riitä	Suodatin on likainen.	Puhdista suodatin
Ikkunalasta jättää jälkiä	Jätteitä ikkunalastan terän alla, kuten hiukkasia	Poista hiukkaset
	Ikkunalastan terä on jo kulunut, haljennut, hauras.	Vaihda ikkunalastan terä
	Ikkunalastan tasapainoa ei säädetä	Säädä tasapainoa

HUOM



Jos kone on asennettu vallinnaisella alustan laturilla, ja kun alustan laturri on viallinen, kone ei toimi.

Jos alustan laturi on viallinen, ota yhteys valtuutettuun ylläpitokeskukseen.

Saadaksesi lisätietoja katso ylläpitokäsikirjaa (saatavissa kaikissa VIPER-yrityksen ylläpitokeskuksissa)

KONEEN HÄVITYS

Käytä pätevää murskauskonetta tämän koneen hävittämiseksi.

Ennen tämän koneen hävitystä purkaa ja valikoi seuraavat materiaalit, jotka, liittyvien lakien ja säätelyjen mukaan on käsiteltävä oikealla tavalla.

- Akku
- Harja/pehmusteen pidin
- Muoviletkut ja muovikomponentit
- Sähkö- ja elektroniset komponentit (*)

(*): Ota yhteys lähimpään VIPER keskuksen (erityisesti sähköisten ja elektronisten komponenttien romuttamisen suhteen on tarpeen).



Company information:
www.vipercleaning.eu
info-eu@vipercleaning.com