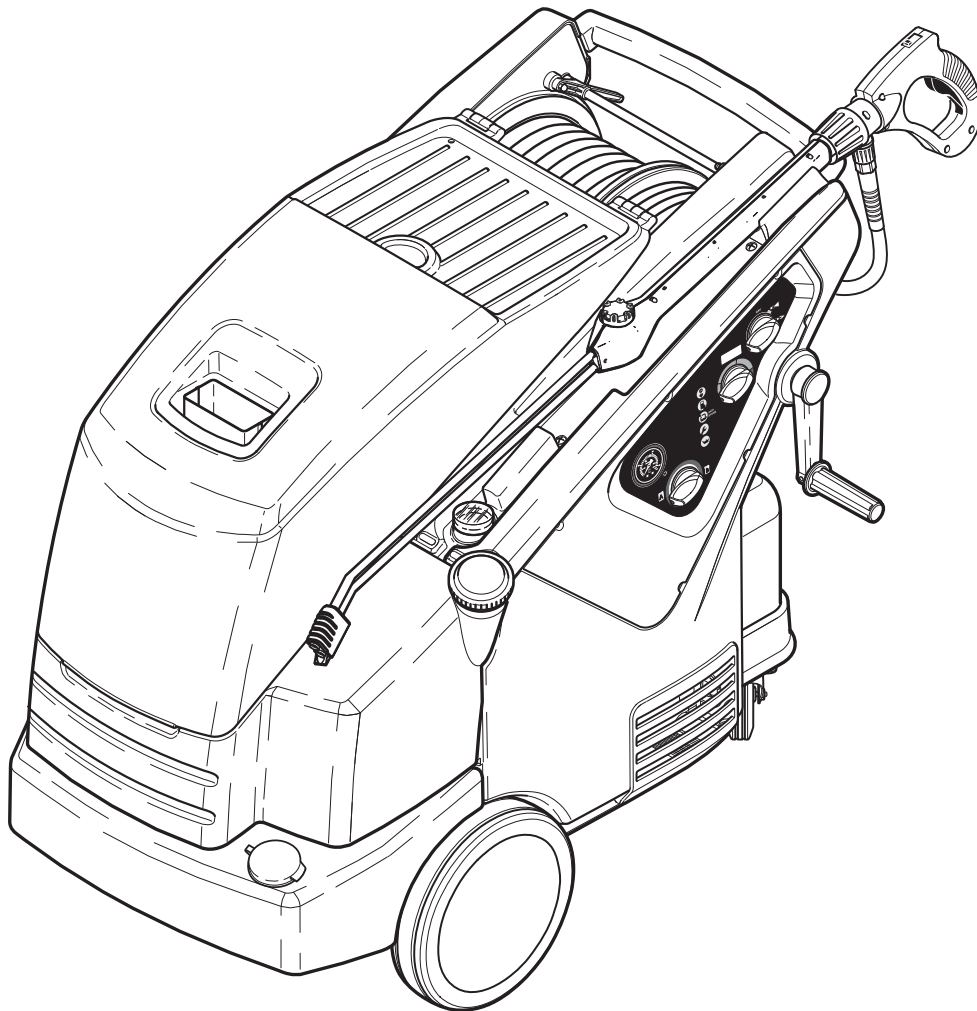
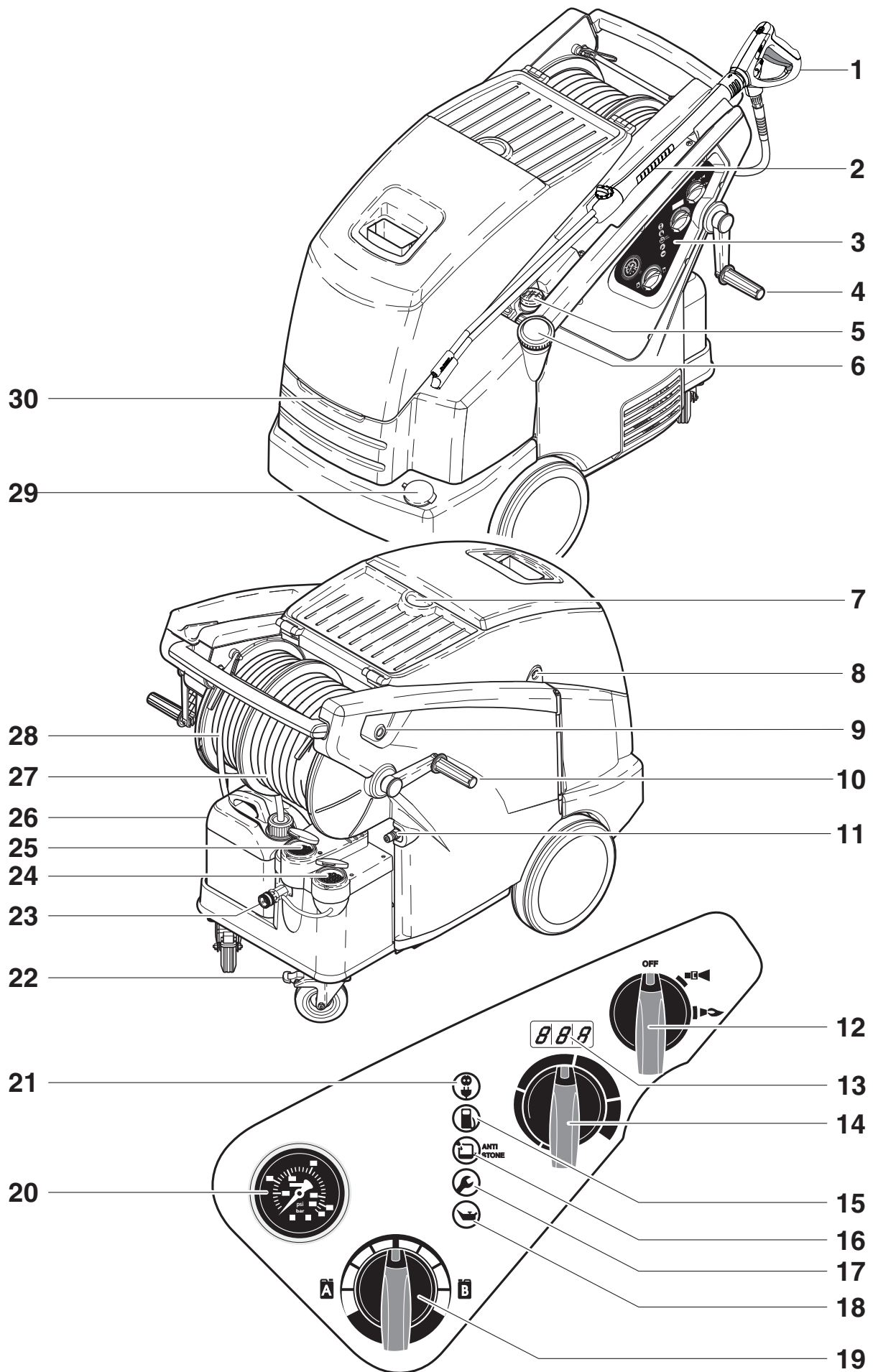


# MH 5M - Instructions for use





# Contents



<b>1</b>	<b>Safety instructions</b>	<b>4</b>
<b>2</b>	<b>Description</b>	<b>5</b>
2.1	Purpose	5
2.2	Operating elements	5
<b>3</b>	<b>Before starting the cleaner</b>	<b>6</b>
3.1	Transport and assembly	6
3.2	Set the brake	6
3.3	Install Crank handle for high pressure hose reel/cord reel	7
3.4	Fill up detergent tanks	7
3.5	Fill up tank for Nilfisk AntiStone (Anti-Scale)	7
3.6	Antiscale	7
3.7	Fill up fuel tank	8
3.8	Connecting the high pressure hose	8
3.9	Connecting the water supply	9
3.10	Electrical connection	9
3.11	Antifreeze - before first use	9
<b>4</b>	<b>Control / Operation</b>	<b>9</b>
4.1	Connections	9
4.2	Switching on the cleaner	10
4.3	Pressure regulation (Tornado Lance)	10
4.4	Pressure regulation (VarioPress Gun) <sup>1)</sup>	11
4.5	Using cleaning agents	11
<b>5</b>	<b>Applications and methods</b>	<b>12</b>
5.1	Techniques	12
5.2	Some typical cleaning tasks	13
<b>6</b>	<b>After using the cleaner</b>	<b>15</b>
6.1	Switching off the cleaner	15
6.2	Disconnecting supply lines	15
6.3	Rolling up the electrical cord and storing accessories	15
6.4	Storing the cleaner (below 0°C (32°F))	15
<b>7</b>	<b>Maintenance</b>	<b>16</b>
7.1	Maintenance Schedule	16
7.2	Maintenance work	16
<b>8</b>	<b>Troubleshooting</b>	<b>18</b>
8.1	Indications on Display	18
8.2	Indication lights on control panel	19
8.3	Other Faults	19
<b>9</b>	<b>Further information</b>	<b>20</b>
9.1	Recycling the cleaner	20
9.2	Guarantee	20
9.3	EU Declaration of Conformity	21
9.4	Technical Data	22

<sup>1)</sup> Options / model variants

EN

## Symbols used to mark instructions



Safety instructions in these operating instructions which must be observed to prevent risks to persons are marked with this danger symbol.



This indicates tips and instructions to simplify work and to ensure safe operation.



Before using the high-pressure cleaner, be sure to also read the enclosed operating instructions and keep them within reach at all times.

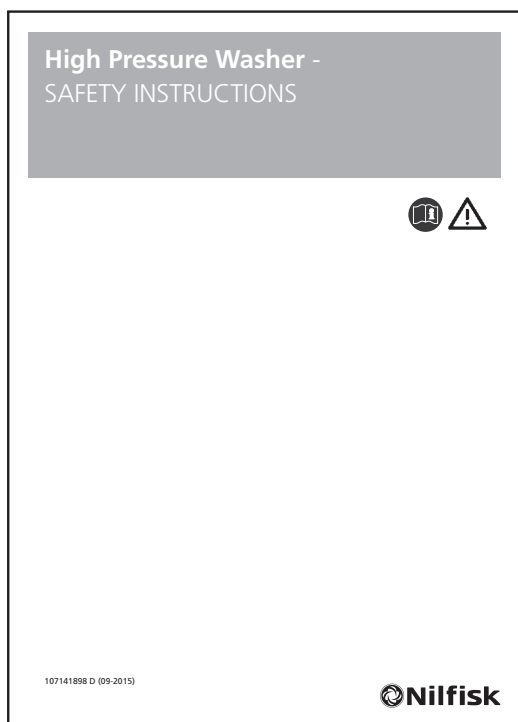


This symbol is used to mark safety instructions that must be observed to prevent damage to the machine and its performance.



Operations marked with this symbol should only be carried out by Nilfisk Service Technicians.

# 1 Safety instructions



## 2 Description

### 2.1 Purpose

This high-pressure cleaner has been designed for professional use. It can be used for cleaning agricultural and construction equipment, stables, vehicles, rusty surfaces, etc.

The cleaner has not been approved for cleaning surfaces which comes into contact with food.

Chapter 5 describes the use of the high-pressure cleaner for various cleaning jobs.

Always use the cleaner as described in these operating instructions. Any other use may damage the cleaner or the surface to be cleaned or may result in severe injury to persons.

### 2.2 Operating elements

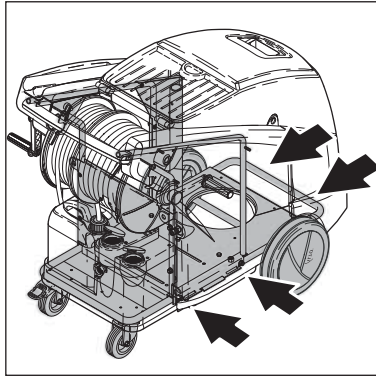


See page 2 at front of these operating instructions.

- |    |   |    |   |
|----|---|----|---|
| 1  | Spray lance   | 13 | Display (Temperature or Codes)                    |
| 2  | Spray lance storage   | 14 | Temperature control                               |
| 3  | Control panel   | 15 | Low fuel indicator                                |
| 4  | Crank handle for High pressure hose reel (MH 5M ..X) <sup>1)</sup>  | 16 | Low Nilfisk AntiStone (Anti-Scale) indicator      |
|    | Cord reel (MH 5M ..X2) <sup>1)</sup>                                | 17 | Service interval due/expired                      |
| 5  | Fuel level gauge  | 18 | Pump oil low                                      |
| 6  | Tank filler for fuel  | 19 | Detergent metering knob                           |
| 7  | Receptacle for service crane and lifting ring <sup>1)</sup>         | 20 | Pressure gauge                                    |
| 8  | Top cover release   | 21 | Power ON  |
| 9  | Service door release  | 22 | Castor with parking brake                         |
| 10 | Crank handle for High pressure hose reel (MH 5M ..X2) <sup>1)</sup> | 23 | Water supply connection                           |
| 11 | High pressure hose connection for machines without hose reel        | 24 | Tank filler for anti-freeze                       |
| 12 | Main switch ON/OFF - cold water/hot water                           | 25 | Tank filler for Nilfisk Anti-Scale                |
|    |   | 26 | Canister for detergent B <sup>1)</sup>            |
|    |   | 27 | High pressure hose reel (MH 5M ..X) <sup>1)</sup> |
|    |   | 28 | Power cord reel (MH 5M ..X2) <sup>1)</sup>        |
|    |   | 29 | Tank filler for detergent A                       |
|    |   | 30 | Grip for top cover                                |

## 3 Before starting the cleaner

### 3.1 Transport and assembly



1. The safest way to lift the machine is to use a fork-lift truck. The arrows in the illustration indicate the best places to position the fork.
2. It is also possible to lift the machine by hand from the pallet. Due to the weight this work should be done by at least three persons.

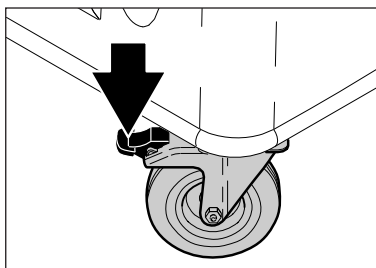
#### CAUTION!

Do not hold the plastic tank to lift the machine as it could become detached from the frame.

The best places to hold the machine are

- on the handle
- on the frame between the front wheels and the guide rollers.

### 3.2 Set the brake



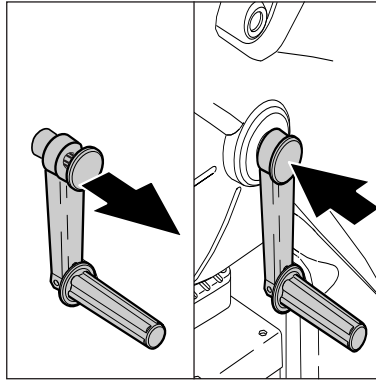
Every fuel-burning appliance, such as pressure washers, depends upon a proper mix of fuel and air (by weight) for proper combustion. Therefore some adjustment of the air supply to the burner may be necessary to take account of altitude and the resulting air pressure. This is true whether your fuel is 'Natural gas', Propane or Diesel.

Your Nilfisk hot water pressure washer was thoroughly tested and adjusted for optimum performance before it left our factory. The factory is located at approximately 120m (390 ft) above sea level, and the combustion settings are optimal for that elevation.

**If your location is higher than 1200m (3900 ft) above sea level, your burner may require re-adjustment for proper performance and best fuel economy. Contact your Dealer or Nilfisk for assistance.**

1. Before using the cleaner for the first time, check it carefully for any faults or damage.
2. Run the machine only when it is in perfect working condition.
3. Set the brake.
4. The slope on which the high pressure cleaner is placed must not exceed more than 10° in any direction.

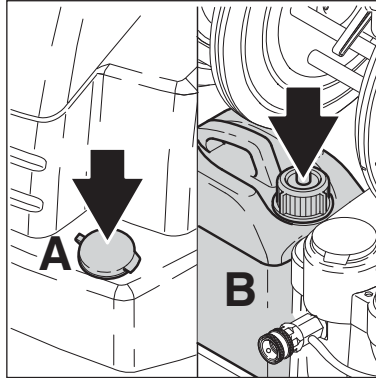
**3.3 Install Crank handle for high pressure hose reel/cord reel**



1. Pull cap of crank in arrow direction.
2. Align tabs on crank with slot in axle.
3. Put crank on axle of high pressure hose reel/cord reel.
4. Fix crank by pushing the cap.

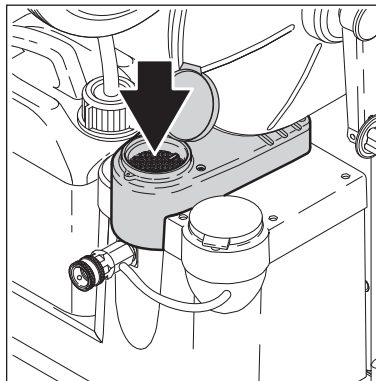


**3.4 Fill up detergent tanks**



1. Fill up detergent tanks (A) and (B) with prediluted detergent. Capacity see chapter 9.4 Technical Data

**3.5 Fill up tank for Nilfisk AntiStone (Anti-Scale)**



1. Fill up Nilfisk Anti-Stone (Anti-Scale)/water softener reservoir with the sample bottle provided. Nilfisk AntiStone (Anti-Scale) prevents any deposits of scale and acts at the same time as a corrosion inhibitor.

For compatibility reasons, use only the tested Nilfisk AntiStone (Anti-Scale) which is available as a six-pack of 1 liter bottles by ordering part number 8466.

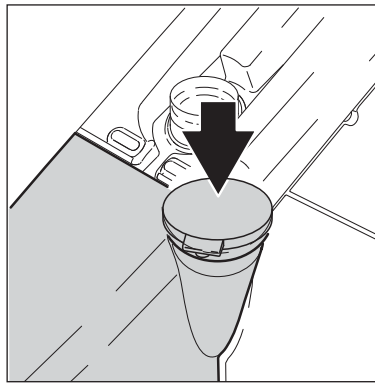
**3.6 Antiscale**

The Nilfisk Antiscale dosing system is set by the factory. To adjust the water hardness we recommend that the inlet water is tested accordingly.

Use the schematic to find the right dosage of No Scale/anti stone and water, and add the mixture to the antiscale tank.

Machine flow L/h	Pump size ml/h	°dH	°f	°e	Dosage
900	35	0-12	0-21,5	0 - 15	1:1 = 17ml/h
900	35	12-30	21,5 - 53,7	15 - 37,5	Pure = 35ml/h
1000	35	0-12	0-21,5	0 - 15	1:1 = 17ml/h
1000	35	12-30	21,5 - 53,7	15 - 37,5	Pure = 35ml/h

### 3.7 Fill up fuel tank



**NOTE!**

The fuel must be free from contamination.  
Tank capacity see chapter 9.4 Technical data.



**NOTE!**

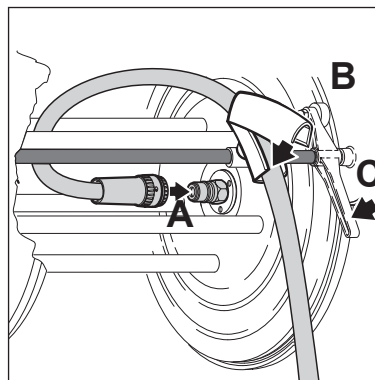
At temperatures below 8°C (46°F), the fuel oil begins to solidify (paraffin precipitation). This can lead to difficulties in starting

the burner. Before the winter months it is recommended that a fuel conditioner/stabilizer be added (available from the fuel oil trade).

1. Fill fuel tank from a clean container with a fresh fuel, heating oil, DIN 51603-1 (without bio diesel) or Diesel EN 590 (Diesel with a bio diesel content up to 7%). Diesel according to EN 590 (up to 7% bio diesel) can be used with the following restrictions: Maximum storage time in high pressure cleaner diesel tank: 1 month. Diesel stored externally for more than 6 months is not allowed to be filled into Nilfisk high pressure cleaners. Diesel EN 590 is not recommended for use in HPW's at an ambient temperature below 0°C. Diesel EN 590 from an open container must not be used.

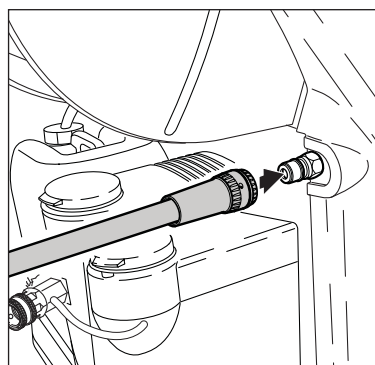
### 3.8 Connecting the high pressure hose

#### 3.8.1 Machines with high pressure hose reel<sup>1)</sup>



1. Connect the high pressure hose quick connector to the high pressure nipple (A) located at the hose reel axle.
2. Place the high pressure hose into the hose guide (B) and retain it with the clip.
3. Release the brake (C) on the hose reel and wind up the high pressure hose.

#### 3.8.2 Machines without high pressure hose reel



1. Connect the high pressure hose quick connector to the high pressure nipple located at right rear of machine above chemical tank.

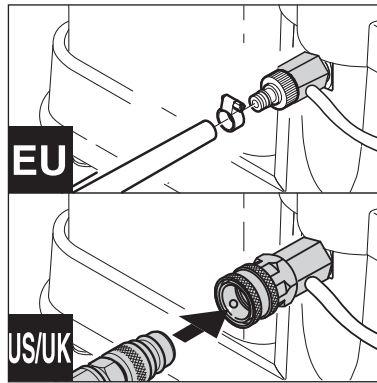


### 3.9 Connecting the water supply

#### NOTE!

See chapter 9.4 Technical Data for required quantity of water and water pressure.

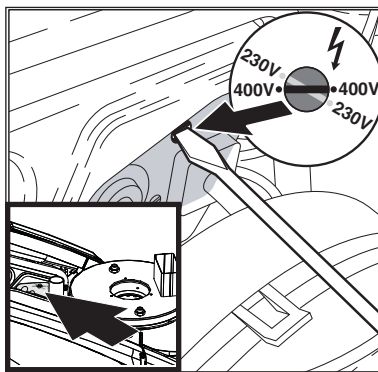
In the case of poor water quality (sand, etc.), it is recommended that an inlet water filter be installed.



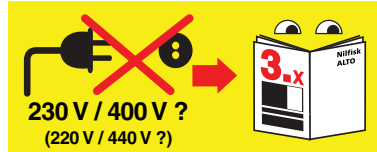
1. Attach quick connect adapter found with Owners Manual to the water supply hose.
2. Rinse the water supply hose briefly in order to prevent sand and other dirt particles entering into the machine.
3. Attach water supply hose with adapter to inlet quick connector.
4. Open water supply faucet. Water supply hose should be a reinforced hose and have a minimum inside diameter of **3/4" (19 mm)**.



### 3.10 Electrical connection



#### CAUTION!



Some models have the ability to be used on either 230 Volt or a 440 Volt power supply. On these models confirm that the voltage selector switch is in the proper position to match the power supply. Otherwise damage to machines electrical components may occur.

#### CAUTION!

When using a cord reel:

1. Release brake of the cord reel.
2. Unwind the cord completely.

#### CAUTION!

The cleaner should only be connected to a correctly installed electrical supply.

1. Observe safety instructions in chapter 1.
2. Insert the plug into the electrical socket.

### 3.11 Antifreeze - before first use

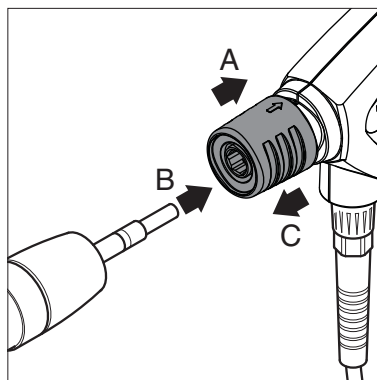
The machine is flushed with antifreeze at the factory to protect it against freezing; this mixture (ap-

prox. 5 l) may be captured in a suitable container for reuse.

## 4 Control / Operation

### 4.1 Connections

#### 4.1.1 Connecting the spray lance to the spray gun



1. Pull the blue quick-release grip (A) of the spray gun backwards.
2. Insert the nipple of the spray lance (B) into the quick-release connection and release it.
3. Pull the spray lance (or other accessory) forwards to check that it is securely attached to the spray gun.



#### NOTE!

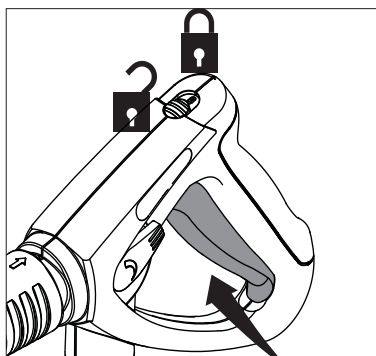
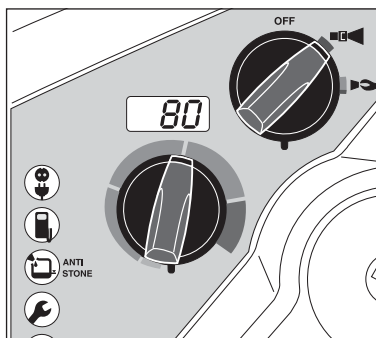
Always remove any dirt from the nipple before connecting the spray lance to the spray gun.

## 4.2 Switching on the cleaner

### 4.2.1 Cold water operation / Hot water operation (up to 100°C)

**NOTE!**

The cleaner switches off automatically twenty seconds after the spray gun has been closed. To start the cleaner again, squeeze the trigger and the machine will start automatically.



1. Turn the main switch to position (cold water).

Control electronics accomplishes a self check.

The Display shows for approx. 1 second „---“.

The motor starts.

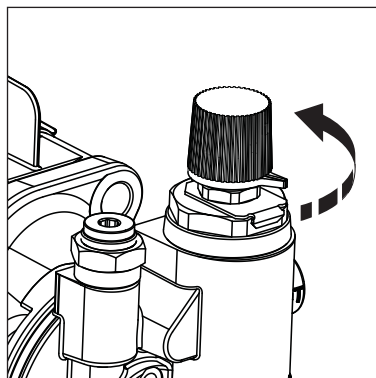
is ON.

2. Turn the main switch to position (hot water).
3. Select temperature.
4. Unlock the spray gun and squeeze trigger.
5. The oil burner will light.
6. Release trigger and lock the spray gun when not in use.

### 4.2.2 Steam operation (over 100°C (212°F))



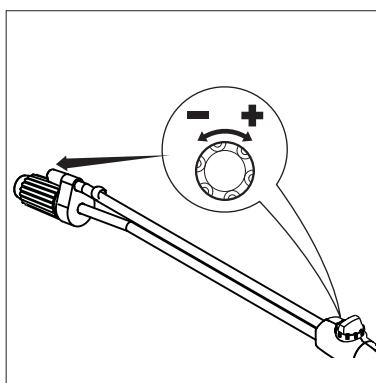
Beware of hot water and steam discharge up to 150°C when operating in steam stage.



1. Open cabinet (and service door if desired).
2. Turn the twist grip on the safety control block all the way to the left (counter-clockwise-direction).
3. Turn the main switch to position .
4. Select temperature (over 100°C (212°F)).

For special applications: replace the standard nozzle with the steam spray nozzle (accessory).

### 4.3 Pressure regulation (Tornado Lance)

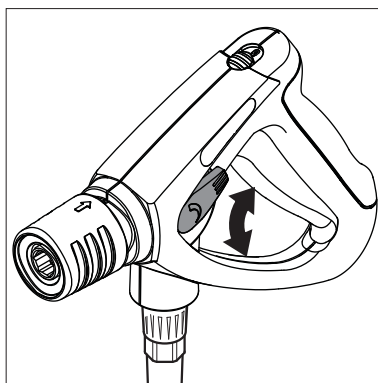


1. Turn the twist grip on the spray unit:
  - High pressure = clockwise (+) for high pressure
  - Low pressure = counter-clockwise (–) for low pressure.

#### 4.4 Pressure regulation (VarioPress Gun)<sup>1)</sup>



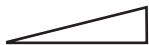
For safety reasons, never tie back or wedge open the trigger of the spray gun in open position during operation. The trigger must be free to close when released, thus interrupting the flow of the water.



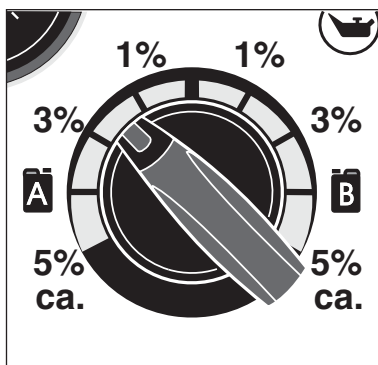
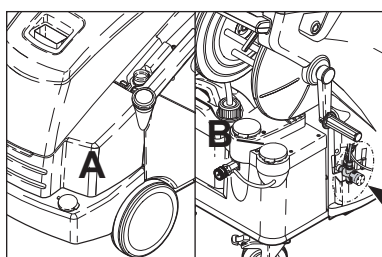
1. Turn the twist grip on the spray unit:



#### Water volume

(-) min.  (+) max.

#### 4.5 Using cleaning agents



1. Select desired detergent (A) or (B) and amount by turning the knob to desired percentage.
2. Spray the object to be cleaned.
3. Allow the cleaning agent to work, depending on the degree of soiling. Then rinse off with high pressure.



The percentage shown in the illustration are only approximate data.

For special applications such as disinfection, the exact detergent concentration has to be determined by using a graduated measuring container. For water outlet volume of the machine see chapter 9.4 technical data.

The use of cleaning agents while using the steam device will show a lower percentage and will result in a lower concentration.

#### CAUTION!

**Never allow cleaning agent to dry on the surface to be cleaned. The surface may be damaged.**

<sup>1)</sup> Options / model variants

## 5 Applications and methods

### 5.1 Techniques

Efficient high pressure cleaning is achieved by following a few guidelines, combined with your own personal experience of specific cleaning tasks. Accessories and detergents, when correctly chosen, can increase the efficiency of your pressure washer. Here is some basic information about cleaning.

#### 5.1.1 Soaking

Encrusted or thick layers of dirt can be loosened or softened up by a period of soaking. This is for example an ideal method within agriculture – for example, within pig sties. The ideal soaking method can be achieved by using foam or simple alkaline detergent. Let the product lie on the dirty surfaces for about 30 minutes before pressure washing. The result will be a much quicker high pressure cleaning process.

#### 5.1.2 Detergent and Foam

Foam or detergent should be applied onto dry surfaces so that the chemical product is in direct contact with the dirt. Detergents are applied from bottom to top, for example on a automobile bodywork, in order to avoid “super clean” areas, where the detergent may collect in higher concentrations and streams downwards. Let the detergent work for several minutes before rinsing before rinsing and never let it dry on the surface being cleaned.

#### 5.1.3 Temperature

Detergents are more effective at higher temperatures. Greases, oils and fats can be broken down more effectively at higher temperatures also. Proteins can be cleaned at temperatures of around 60°C (140°F). Oils and traffic film around 70°C (158°F), and grease can be cleaned at 80°-90°C (176-194°F).

#### 5.1.4 Mechanical Effect

In order to break down tough layers of dirt, additional mechanical effect may be required. Special lances and rotary or wash brushes offer this supplementary effect that cuts through dirt.

#### 5.1.5 High Water Flow or High Pressure

High pressure is not always the best solution and may also damage surfaces. The cleaning effect also depends upon water flow. Pressure levels of around 100 bar (1450 psi) may be sufficient for vehicle cleaning (in association with hot water) and higher flow levels give the ability to rinse and flush away large amounts of dirt easily.

## 5.2 Some typical cleaning tasks

### 5.2.1 Agriculture



Task	Accessories	Method
Stables Pig Pens, Sties  Cleaning of walls, floors and equip- ment  Disinfectant	Chemical Foam Injec- tors Foam lance Powerspeed lance Floor Cleaner  Detergents Universal Alkafoam  Disinfectant DES 3000	<ol style="list-style-type: none"> <li>1. Soaking – apply foam to all surfaces (bottom to top) and wait for approx. 30 minutes.</li> <li>2. Remove the dirt from surfaces with the high pressure lance or chosen accessory. Again, clean from bottom to top on vertical surfaces.</li> <li>3. To flush away large quantities of dirt, change to low pressure mode and use the higher flow to push away the dirt.</li> <li>4. Use recommended disinfectant products and methods to ensure hygiene. Apply DES 3000 disinfectant once the surfaces are perfectly clean.</li> </ol>
Machinery Tractors ploughs etc.	Detergent injection Powerspeed lances Curved lances and un- derchassis washers Brushes	<ol style="list-style-type: none"> <li>1. Apply detergent to vehicle or equipment surfaces in order to soften up dirt and grime. Apply from bottom to top.</li> <li>2. Proceed with cleaning using the high pressure lance. Clean again from bottom to top. Use accessories to clean in difficult to reach places.</li> <li>3. Clean fragile areas such as motors, rubber at lower pressure levels to avoid damage.</li> </ol>

### 5.2.2 Vehicle

Task	Accessories	Method
Vehicle bodywork	Standard lance Detergent injection Curved lances and un- derchassis washers brushes  Detergents Active Shampoo Active Foam Sapphire Super Plus Aktive Wax Allosil RimTop	<ol style="list-style-type: none"> <li>1. Apply detergent to vehicle or equipment surfaces in order to soften up dirt and grime. Apply from bottom to top. In cases of particularly dirty vehicles, pre-spray with a product such as Allosil in order to remove traces of insects etc, then rinse at low pressure and apply normal car cleaning detergent. Let detergents settle for 5 minutes before cleaning off. Metallic surfaces can be cleaned using RimTop.</li> <li>2. Proceed with cleaning using the high pressure lance. Clean again from bottom to top. Use accessories to clean in difficult to reach places. Use brushes in order to add a mechanical cleaning effect. Short lances can help for cleaning of motors and wheel arches. Curved lances or undercarriage washers can be valuable for the cleaning of car underchassis and wheel arches.</li> <li>3. Clean fragile areas such as motors, rubber at lower pressure levels to avoid damage.</li> <li>4. Apply a liquid wax using the pressure washer in order to protect the bodywork from pollution.</li> </ol>

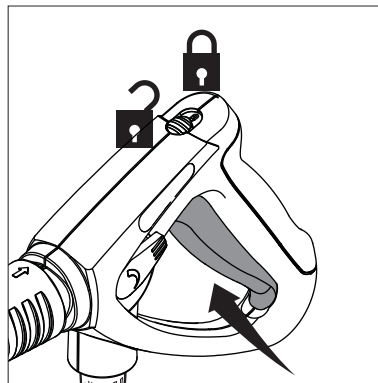
### 5.2.3 Buildings and Equipment

Task	Accessories	Method
General surfaces Metallic equipment	Foam injectors Standard lance Curved lances Tank cleaning head  Detergents Intensive J25 Multi Combi Active Alkafoam  Disinfectant DES 3000	<ol style="list-style-type: none"> <li>1. Apply thick foam over the surfaces to be cleaned. Apply on dry surfaces. Apply from top to bottom on vertical surfaces. Let the foam act for up to 30 minutes for the optimal effect.</li> <li>2. Proceed with cleaning using the high pressure lance. Use applicable accessories. Use high pressure to dislodge large amounts of incrustated dirt or grime. Use lower pressure and high water volume in order to rapidly flush away loose dirt and rinse surfaces.</li> <li>3. Apply DES 3000 disinfectant once the surfaces are perfectly clean.</li> </ol> <p>Areas covered by amounts of loose dirt, such as animal remains in slaughterhouses, can be removed by using high water flow to flush away the dirt to evacuation pits or drains.</p> <p>Tank cleaning heads can be used to clean barrels, vats, mixing tanks etc. Cleaning heads may be hydraulically or electrically powered and give the possibility for automatic cleaning without a constant user.</p>
Rusted or damages surfaces prior to treatment	Wet Sandblasting equipment	<ol style="list-style-type: none"> <li>1. Connect the sandblasting lance to the pressure washer and place the suction tube in the sand.</li> <li>2. Always wear protective equipment during sandblasting.</li> <li>3. Spray the surfaces to be treated with the mix of water and sand. Rust, paint etc will be stripped off.</li> </ol>

These are merely several examples of cleaning tasks that can be solved by a pressure washer in association with accessories and detergents. Each cleaning task is different. Please consult your local dealer or Nilfisk representative in order to discuss the best solution for your own cleaning tasks.

# 6 After using the cleaner

## 6.1 Switching off the cleaner



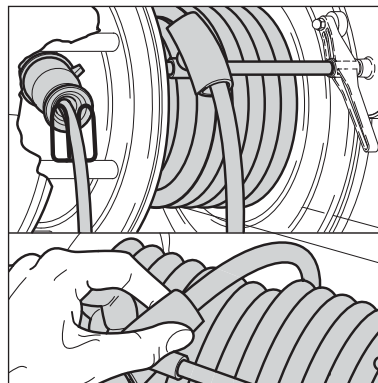
1. Turn the main switch to position „OFF“.
2. Turn off water supply at faucet.
3. Squeeze the spray gun trigger until the pressure has bled off.
4. Slide trigger lock to the locked position.

## 6.2 Disconnecting supply lines

1. Turn the main switch to position „OFF“.
2. Turn off water supply at faucet.
3. Squeeze the spray gun trigger until the pressure has bled off.

4. Slide trigger lock to the locked position.
5. Remove the water supply hose from the cleaner.
6. Remove power cord plug from the electrical supply.

## 6.3 Rolling up the electrical cord and storing accessories



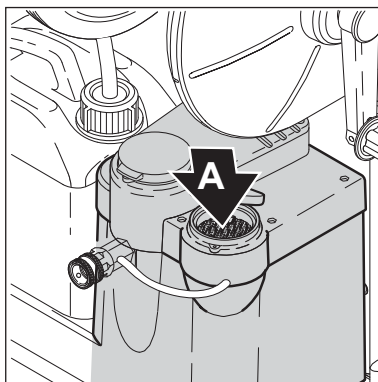
### Risk of tripping!

To prevent accidents, always carefully roll up the power cord.


Machines with hose and/or cord reel:

1. Wind up the power cord as illustrated with the plug located in the center of the cord reel.
2. Wind up the high pressure hose as illustrated.
3. Place the spray lance into the spray lance storage.

## 6.4 Storing the cleaner (below 0°C (32°F))



Store the cleaner in a dry heated location to protect against freezing or protect per below instructions:

1. Remove the water supply hose from the cleaner.
2. Remove the spray lance.
3. Switch on the cleaner with the main switch in position .
4. Squeeze trigger of the spray gun.
5. Gradually pour antifreeze (approx. 5 litres) into the water tank (A).
6. While the pump is pulling the mixture from the water tank,

squeeze and release the trigger two or three times.

7. The machine is protected against freezing when antifreeze mixture emerges from the spray gun.
8. Lock the safety catch on the spray gun.
9. Switch off the cleaner.
10. To avoid any possible damage, store the cleaner temporarily in a heated room before using it again.
11. When the machine is put into service again, the antifreeze solution can be collected and stored for future use.



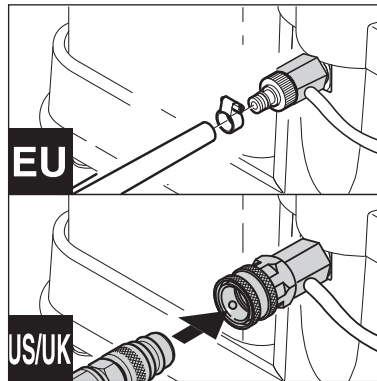
# 7 Maintenance

## 7.1 Maintenance Schedule

	Weekly	After the first 50 operating hours	Every six months or 500 operating hours	As required
7.2.1 Water filters				●
7.2.2 fuel filter				●
7.2.3 Checking the pump oil quality	●			
7.2.4 Changing the pump oil		●	●	
7.2.5 Emptying the fuel oil tank				●
7.2.6 Flame Sensor				●

## 7.2 Maintenance work

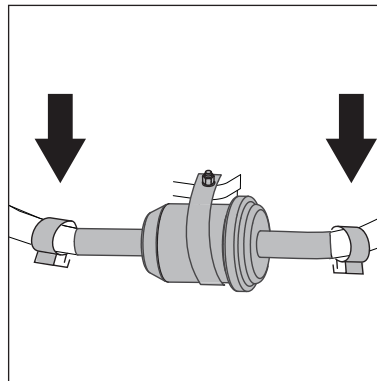
### 7.2.1 Water filters



Water filters are fitted at the water and pump inlets to prevent large particles of dirt from entering into the system.

1. Unscrew quick coupling.
2. Remove filter with tool and clean it.

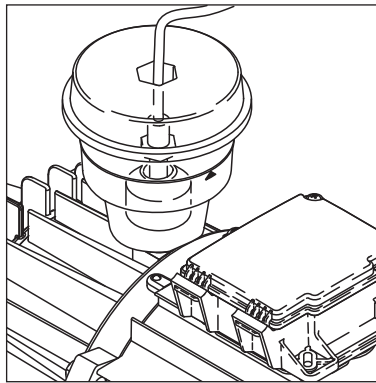
### 7.2.2 Maintenance of fuel filter



1. Open hose clips
2. Replace fuel filter
3. Close hose clips
4. Dispose the cleaning solution/damaged filter in accordance with the disposal regulations.



### 7.2.3 Checking the pump oil quality

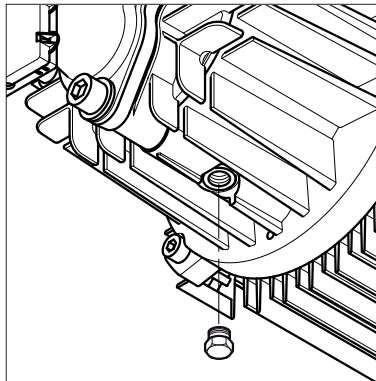


1. Check color of pump oil.  
If the oil has a grey or white shade, change the oil (see chapter 7.2.4)

EN

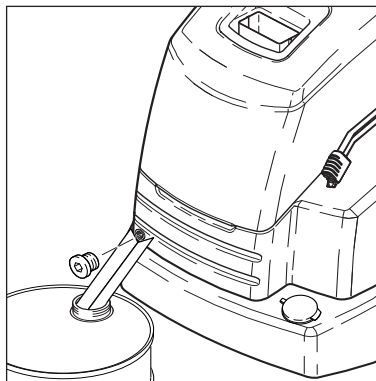
2. Top off oil level with fresh oil if necessary.  
Oil type see chapter 9.4 Technical Data.

### 7.2.4 Changing the pump oil



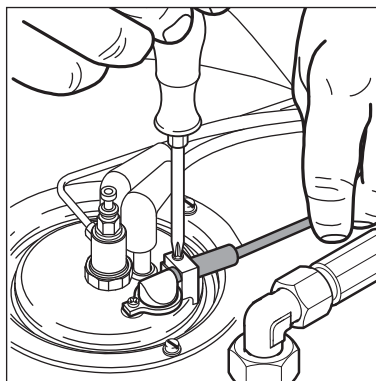
1. Unscrew the oil drain plug and drain oil into a suitable container.
2. Check that the drain plug gasket is in place and reinstall drain plug.
3. Fill pump with proper grade and amount of oil.  
Oil grade and capacity see chapter '9.4 Technical Data'.

### 7.2.5 Emptying the fuel oil tank



1. Prepare a container which is capable of containing the amount of fuel remaining in the tank.
2. Place drain channel beneath the drain plug.
3. Remove the drain plug and drain the fuel into the prepared container carefully not to spill fuel oil.
4. Check that the drain plug gasket is in place and reinstall drain plug.
5. Check tank and plug for leaks.











### 7.2.6 Flame sensor











1. Remove the sensor and clean with a soft cloth.
2. Confirm that the sensor is correctly seated when reinstalling.

# 8 Troubleshooting



## 8.1 Indications on Display

Indication on Display	Cause	Remedy
<b>FLF</b>	> Flow sensor fault	 Contact Nilfisk Service Cold water operation possible
<b>FLO</b>	> Water supply turned off or inadequate supply to machine > Detergent tank empty > Pressure regulation on the safety control block set to low water volume > Machine scaled	<ul style="list-style-type: none"> <li>• Required volume flow and pressure see chapter 9.4 Technical Data</li> <li>• Fill detergent tank or set detergent metering to „OFF“</li> <li>• Turn the twist grip on safety control block to higher water pressure/volume</li> </ul>  Contact Nilfisk Service
<b>FUE</b> 	> Fuel shortage	<ul style="list-style-type: none"> <li>• Fill fuel tank</li> </ul> Cold water operation possible
<b>HOP</b>	> Motor overheated	<ul style="list-style-type: none"> <li>• Turn main switch in position „OFF“, let machine cool down</li> <li>• Remove extension cord, if being used.</li> <li>• Possible phase failure; have electrical connections checked</li> </ul>
<b>HOS</b>	> Machine overheated	 Contact Nilfisk Service
<b>LEA</b>	> Leakage or inadmissible operating condition by short-time operation  > Spray gun leaking > High pressure hose, coupling or line system leaking > Detergent tank empty  > Water inlet filter dirty > High-pressure pump drawing in air	<ul style="list-style-type: none"> <li>• After three times of short-time operation the machine switches off. To reset: Turn main switch to position “OFF“, then start again. Keep trigger squeezed for longer than 3 seconds. If a leak occurs in the hose and gun and causes the machine to start and stop briefly 3 times, then the machine will switch off.</li> <li>• Repair Spray gun</li> <li>• Replace high-pressure hose, retighten screw fittings</li> <li>• Fill detergent tank or set detergent metering to „OFF“</li> <li>• Clean filter (see chapter 7.2.1)</li> <li>• Repair leaks</li> </ul>
<b>LHE</b>	> Flame sensor sooted > Ignition or fuel system failure	<ul style="list-style-type: none"> <li>• Clean flame sensor (see chapter 7.2.6).</li> </ul>  Contact Nilfisk Service Cold water operation possible
<b>LHL</b>	> Burner failure	 Contact Nilfisk Service Cold water operation possible
<b>POL</b> 	> Pump oil low	<ul style="list-style-type: none"> <li>• Fill to proper level (see chapter 7.2.3)</li> </ul>
<b>SEC</b>	> Temperature sensor damaged	 Contact Nilfisk Service Cold water operation possible
<b>SEO</b>	> Temperature sensor damaged	 Contact Nilfisk Service Cold water operation possible
<b>UPC</b>	> Microprocessor failure	 Contact Nilfisk Service

## 8.2 Indication lights on control panel

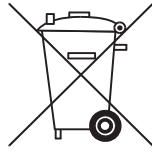
Indication light	Cause	Remedy
 flashing	> see <i>FLO</i>	• see <i>FLO</i>
 ON	> Low fuel level	• Fill fuel tank • Cold water operation possible
 ANTI STONE	> Low Nilfisk AntiStone (Anti-Scale) level	• Fill Nilfisk AntiStone (Anti-Scale) tank
 flashing	> Service interval: Service due in 20 hours	 Contact Nilfisk Service
 ON	> Service interval expired	 Contact Nilfisk Service
 ON	> Pump oil low	• Fill to proper level

## 8.3 Other Faults

Fault	Cause	Remedy
 not ON	> Power cord not properly connected to power supply	• Check power cord connection • Check fuse (see chapter 9.4 Technical Data)
Pressure too low	> High pressure nozzle worn out > Pressure regulation set to low pressure	• Replace nozzle • Turn the twist grip on safety control block clockwise (+)
Machine is running with pulsating pressure and makes knocking noise	> Pump has drawn in air due to detergent tank being empty	• Close detergent valve. Remove lance from gun. Operate spray gun and let machine run until air in pump is gone and the machine is running normally/ calm again.
No detergents drawn in	> Detergent tank empty > Dirt in detergent tank > Suction valve at cleaning agent inlet soiled	• Fill detergent tank • Clean detergent tank • Remove suction valve and clean or replace
Burner soots	> fuel contamination > Burner sooted or adjustment incorrect	 Contact Nilfisk Service

## 9 Further information

### 9.1 Recycling the cleaner



Make the old cleaner unusable immediately.

1. Unplug the cleaner and cut the power cord.

Do not discard of electrical appliances with household waste.

As specified in European Directive 2002/96/EC on old electrical

and electronic appliances, used electrical goods must be collected separately and recycled ecologically.

Contact your local authorities or your nearest dealer for further information.

### 9.2 Guarantee

Our general conditions of business are applicable with regard to the guarantee.

Unauthorized modifications to the appliance, the use of incorrect accessories, spare parts and cleaning chemicals in addition to using the appliance in a way other than for the intended purpose exempt the manufacturer from any liability for the resulting damage.

#### US only:

This warranty is in effect from the first day of purchase by the end user.

Each machine will have one (1) year coverage, from date of purchase by the end user, covering parts found defective due to faulty components, materials and/or bad workmanship. Not included in this warranty coverage are parts found defective due to:

- Normal wear and tear (such as seals, valves, pistons, bearings, etc.)
- Machine working under abnormal conditions.
- Machines being misused.
- Machines being repaired or tampered with by unauthorized person(s).
- The use of parts other than Nilfisk Cleaning Systems, Inc. original spare parts and/or accessories.

The burner coil on all Nilfisk Cleaning Systems, Inc. hot water/steam cleaners is under warranty for two (2) years against defects, and the high pressure hose is covered for an initial 30 days, under the same conditions described above.

Nilfisk Cleaning Systems, Inc. will cover labor by an authorized Nilfisk CSI Dealer for a 12-month period after the date of purchase of the machine by the end user.

No other costs, other than laid out in this warranty program, will be covered by the warranty.

Dated, End-User proof of purchase must be submitted with any claim for Warranty Service.

### 9.3 EU Declaration of Conformity



 <b>EU Declaration of Conformity</b>											
<b>Product:</b>	High Pressure Washer										
<b>Type:</b>	MH 5M										
<b>The design of the unit corresponds to the following pertinent regulations:</b>	<table border="0"> <tr> <td>EC Machine Directive</td> <td style="text-align: right;">2006/42/EC</td> </tr> <tr> <td>EC Low-voltage Directive</td> <td style="text-align: right;">2006/95/EC</td> </tr> <tr> <td>EC EMC Directive</td> <td style="text-align: right;">2004/108/EC</td> </tr> <tr> <td>EC RoHS Directive</td> <td style="text-align: right;">2011/65/EC</td> </tr> <tr> <td>EC PED Directive</td> <td style="text-align: right;">97/23/EC</td> </tr> </table>	EC Machine Directive	2006/42/EC	EC Low-voltage Directive	2006/95/EC	EC EMC Directive	2004/108/EC	EC RoHS Directive	2011/65/EC	EC PED Directive	97/23/EC
EC Machine Directive	2006/42/EC										
EC Low-voltage Directive	2006/95/EC										
EC EMC Directive	2004/108/EC										
EC RoHS Directive	2011/65/EC										
EC PED Directive	97/23/EC										
<b>Applied harmonised standards:</b>	EN ISO 12100-1, EN ISO 12100-2, EN 60335-2-79, EN 55014-1(2002), EN 55014-2(2001), EN 61000-3-2 (2006)										
<b>Applied national standards and technical specifications:</b>	IEC 60335-2-79										
<b>Name and address of the person authorised to compile the technical file:</b>	<p>Anton Sørensen Senior Vice President – Global R&amp;D</p> <p>Nilfisk A/S Kornmarksvej 1 DK-2605 Brøndby</p>										
<b>Identity and signature of the person empowered to draw up the declaration on behalf of the manufacturer:</b>	 <p>Anton Sørensen Senior Vice President – Global R&amp;D</p> <p>Nilfisk A/S Kornmarksvej 1 DK-2605 Brøndby</p>										
<b>Place and date of the declaration:</b>	Hadsund, 03-09-2015										

## 9.4 Technical Data

MH			5M-170/910	5M-170/910	5M-190/960 5M-190/960 X	5M-210/1110 5M-210/1110 X	5M-210/1110	5M-210/1110 X	5M-210/1110	5M-190/960	
Voltage 200 V / 3~ / 50Hz			JP								
Voltage 200 V / 3~ / 60Hz				JP							
Voltage 230 V / 1~ / 60Hz											
Voltage 400 V / 3~ / 50Hz						EU	EU / AU				
Voltage 230/400 V / 3~ / 50Hz								NO	NO		NO / BE
Voltage 220/440 V / 3~ / 60Hz										EXPT	
Fuse		A	20	20	13	16	25 / 16	25 / 16	25 / 15	25 / 13	
Power rating		kW	5.4	5.1	6 / 6.1	7.6 / 7.8	7.6 / 7.4	7.8 / 7.6	7.5 / 7	6 / 6.1	
Power consumption		A	18.7	16.6	12.2 / 12.3	15.4 / 15.8	25 / 15.6	25 / 15.8	12.3 / 21.3	12.2 / 21.2	
Type of protection			IP X5	IP X5	IP X5	IP X5	IP X5	IP X5	IP X5	IP X5	
Working pressure		bar (Mpa)	170(17)	170(17)	190(19)	210(21)	210(21)	210(21)	210(21)	190(19)	
Permissible pressure P <sub>max</sub>		bar (Mpa)	250	250	250	250	250	250	250	250	
Volume flow (max)		l/h	910	910	960	1110	1110	1110	1110	960	
Volume flow Q <sub>IEC</sub>		l/h	850	850	900	1050	1050	1050	1050	900	
High pressure nozzle			0500	0500	0500	0550	0550	0550	0550	0500	
Temperature t <sub>max</sub> , hotwater		°C	90	90	90	90	90	90	90	90	
Temperature t <sub>max</sub> , steam		°C	150	150	150	150	150	150	150	150	
Max. water inlet temperature		°C	40	40	40	40	40	40	40	40	
Max. water inlet pressure		bar (Mpa)	10(1)	10(1)	10(1)	10(1)	10(1)	10(1)	10(1)	10(1)	
Dimensions l x w x h		mm	1190 x 702 x 987	1190 x 702 x 987	1190 x 702 x 987	1190 x 702 x 987	1190 x 702 x 987	1190 x 702 x 987	1190 x 702 x 987	1190 x 702 x 987	
Weight		kg	160	160	160 / 165	160 / 165	161	166	161	160 / 165	
Calculated sound pressure at a distance of 1 m EN 60704-1 L <sub>PA</sub> +/- K <sub>PA</sub> *		dB(A)	76 +/- 1,5	76 +/- 1,5	77 +/- 1,5	78 +/- 1,5	78 +/- 1,5	78 +/- 1,5	78 +/- 1,5	77 +/- 1,5	
Sound power level L <sub>WA</sub> MAX including K <sub>WA</sub> = 1,5dB*		dB(A)	92	92	93	96	96	96	96	93	
Vibration ISO 5349		m/s <sup>2</sup>	< 2.5	< 2.5	< 2.5	< 2.5	< 2.5	< 2.5	< 2.5	< 2.5	
Recoil forces		N	36	35	37/38	48	47	49	47	37/38	
Heating capacity		kW	67	67	78	85	85	85	85	78	
Fuel tank		l	35	35	35	35	35	35	35	35	
Detergent tank A / B		l	15/10	15/10	15/10	15/10	15/10	15/10	15/10	15/10	
Oil quantity		l	0.75	0.75	0.75	0.75	0.75	0.75	0.75	0.75	
Oil type			BP Energol GR-XP 220	BP Energol GR-XP 220	BP Energol GR-XP 220	BP Energol GR-XP 220	BP Energol GR-XP 220	BP Energol GR-XP 220	BP Energol GR-XP 220	BP Energol GR-XP 220	

\* Noise emission acc. to EN 60335-2-79 ZAA.2.7



## HEAD QUARTER

### DENMARK

Nilfisk A/S  
Kornmarksvej 1  
DK-2605 Brøndby  
Tel.: (+45) 4323 8100  
www.nilfisk.com

## SALES COMPANIES

### ARGENTINA

Nilfisk srl.  
Edificio Central Park  
Herrera 1855, 6th floor/604  
Ciudad de Buenos Aires  
Tel.: (+54) 11 6091 1571  
www.nilfisk.com.ar

### AUSTRALIA

Nilfisk Pty Ltd  
Unit 1/13 Bessemer Street  
Blacktown NSW 2148  
Tel.: (+61) 2 98348100  
www.nilfisk.com.au

### AUSTRIA

Nilfisk GmbH  
Metzgerstrasse 68  
5101 Bergheim bei Salzburg  
Tel.: (+43) 662 456 400 90  
www.nilfisk.at

### BELGIUM

Nilfisk n.v.s.a.  
Riverside Business Park  
Boulevard Internationaaleaan 55  
Bâtiment C3/C4 Gebouw  
Bruxelles 1070  
Tel.: (+32) 14 67 60 50  
www.nilfisk.be

### BRAZIL

Nilfisk do Brasil  
Av. Eng. Luis Carlos Berrini, 550  
40 Andar, Sala 03  
SP - 04571-000 Sao Paulo  
Tel.: (+11) 3959-0300 / 3945-4744  
www.nilfisk.com.br

### CANADA

Nilfisk Canada Company  
240 Superior Boulevard  
Mississauga, Ontario L5T 2L2  
Tel.: (+1) 800-668-8400  
www.nilfisk.ca

### CHILE

Nilfisk S.A. (Comercial KCS Ltda)  
Salar de Llamará 822  
8320000 Santiago  
Tel.: (+56) 2684 5000  
www.nilfisk.cl

### CHINA

Nilfisk  
4189 Yindu Road  
Xinzhuang Industrial Park  
201108 Shanghai  
Tel.: (+86) 21 3323 2000  
www.nilfisk.cn

### CZECH REPUBLIC

Nilfisk s.r.o.  
VGP Park Horní Počernice  
Do Čertous 1/2658  
193 00 Praha 9  
Tel.: (+420) 244 090 912  
www.nilfisk.cz

### DENMARK

Nilfisk Danmark A/S  
Industrivej 1  
Hadsund, DK-9560  
Tel.: 72 18 21 20  
www.nilfisk.dk

### FINLAND

Nilfisk Oy Ab  
Koskelontie 23 E  
02920 Espoo  
Tel.: (+358) 207 890 600  
www.nilfisk.fi

### FRANCE

Nilfisk SAS  
26 Avenue de la Baltique  
Villebon sur Yvette  
91978 Courtabouef Cedex  
Tel.: (+33) 169 59 87 00  
www.nilfisk.fr

### GERMANY

Nilfisk GmbH  
Guido-Oberdorfer-Straße 2-10  
89287 Bellenberg  
Tel.: (+49) (0)7306/72-444  
www.nilfisk.de

### GREECE

Nilfisk A.E.  
Αναπαύσεως 29  
Κορωπί T.K. 194 00  
Tel.: (30) 210 9119 600  
www.nilfisk.gr

### HOLLAND

Nilfisk B.V.  
Versterkerstraat 5  
1322 AN Almere  
Tel.: (+31) 036 5460760  
www.nilfisk.nl

### HONG KONG

Nilfisk Ltd.  
2001 HK Worsted Mills  
Industrial Building  
31-39, Wo Tong Tsui St.  
Kwai Chung, N.T.  
Tel.: (+852) 2427 5951  
www.nilfisk.com

### HUNGARY

Nilfisk Kft.  
II. Rákóczi Ferenc út 10  
2310 Szigetszentmiklós-Lakihegy  
Tel.: (+36) 24 475 550  
www.nilfisk.hu

### INDIA

Nilfisk India Limited  
Pramukh Plaza, 'B' Wing, 4th floor, Unit  
No. 403  
Cardinal Gracious Road, Chakala  
Andheri (East) Mumbai 400 099  
Tel.: (+91) 22 6118 8188  
www.nilfisk.in

### IRELAND

Nilfisk  
1 Stokes Place  
St. Stephen's Green  
Dublin 2  
Tel.: (+35) 3 12 94 38 38  
www.nilfisk.ie

### ITALY

Nilfisk SpA  
Strada Comunale della Braglia, 18  
26862 Guardamiglio (LO)  
Tel.: (+39) (0) 377 414021  
www.nilfisk.it

### JAPAN

Nilfisk Inc.  
1-6-6 Kita-shinyokohama, Kouhoku-ku  
Yokohama, 223-0059  
Tel.: (+81) 45548 2571  
www.nilfisk.com

### MALAYSIA

Nilfisk Sdn Bhd  
Sd 33, Jalan KIP 10  
Taman Perindustrian KIP  
Sri Damansara  
52200 Kuala Lumpur  
Tel.: (60) 3603 627 43 120  
www.nilfisk.com

### MEXICO

Nilfisk de Mexico, S. de R.L. de C.V.  
Pirineos #515 Int.  
60-70 Microparque  
Industrial WSantiago  
76120 Queretaro  
Tel.: (+52) (442) 427 77 00  
www.nilfisk.com

### NEW ZEALAND

Nilfisk Limited  
Danish House  
6 Rockridge Avenue  
Penrose, Auckland 1061  
Tel.: (+64) 9526 3890  
www.nilfisk.com.au

### NORWAY

Nilfisk AS  
Bjørnerudveien 24  
1266 Oslo  
Tel.: (+47) 22 75 17 80  
www.nilfisk.no

### PERU

Nilfisk S.A.C.  
Calle Boulevard 162, Of. 703, Lima 33-  
Perú  
Lima  
Tel.: (511) 435-6840  
www.nilfisk.com

### POLAND

Nilfisk Sp. Z.O.O.  
Millenium Logistic Park  
ul. 3 Maja 8, Bud. B4  
05-800 Pruszków  
Tel.: (+48) 22 738 3750  
www.nilfisk.pl

### PORTUGAL

Nilfisk Lda.  
Sintra Business Park  
Zona Industrial Da Abrunheira  
Edifício 1, 1º A  
P2710-089 Sintra  
Tel.: (+351) 21 911 2670  
www.nilfisk.pt

### RUSSIA

Nilfisk LLC  
Vyatskaya str. 27, bld. 7/1st  
127015 Moscow  
Tel.: (+7) 495 783 9602  
www.nilfisk.ru

### SINGAPORE

Den-Sin  
22 Tuas Avenue 2  
639453 Singapore  
Tel.: (+65) 6268 1006  
www.densin.com

### SLOVAKIA

Nilfisk s.r.o.  
Bancikovej 1/A  
SK-821 03 Bratislava  
Tel.: (+421) 910 222 928  
www.nilfisk.sk

### SOUTH AFRICA

WAP South Africa  
12 Newton Street  
Spartan 1630  
Tel.: (+27) 11 975 7060  
www.wap.com.za

### SOUTH KOREA

Nilfisk Korea  
3F Duksoo B/D, 317-15  
Sungsoo-Dong 2Ga  
Sungdong-Gu, Seoul  
Tel.: (+82) 2497 8636  
www.nilfisk.co.kr

### SPAIN

Nilfisk S.A.  
Torre d'Ara,  
Passeig del Rengle, 5 Plta. 10ª  
08302 Mataró  
Tel.: (34) 93 741 2400  
www.nilfisk.es

### SWEDEN

Nilfisk AB  
Taljegårdsgatan 4  
431 53 Mölndal  
Tel.: (+46) 31 706 73 00  
www.nilfisk.se

### SWITZERLAND

Nilfisk AG  
Ringstrasse 19  
Kircheberg/Industri Stelz  
9500 Wil  
Tel.: (+41) 71 92 38 444  
www.nilfisk.ch

### TAIWAN

Nilfisk Ltd  
Taiwan Branch (H.K)  
No. 5, Wan Fang Road  
Taipei  
Tel.: (+88) 6227 00 22 68  
www.nilfisk.tw

### THAILAND

Nilfisk Co. Ltd.  
89 Soi Chokechai-Ruammitr  
Viphavadee-Rangsit Road  
Ladyao, Jatuchak, Bangkok 10900  
Tel.: (+66) 2275 5630  
www.nilfisk.co.th

### TURKEY

Nilfisk A.S.  
Serifali Mh. Bayraktar Bulv. Sehit Sk. No:7  
Ümraniye, 34775 Istanbul  
Tel.: +90 216 466 94 94  
www.nilfisk.com.tr

### UNITED ARAB EMIRATES

Nilfisk Middle East Branch  
SAIF-Zone  
P.O. Box 122298  
Sharjah  
Tel.: (+971) (0) 655-78813  
www.nilfisk.com

### UNITED KINGDOM

Nilfisk Ltd.  
Nilfisk House, Bowerbank Way  
Gilwilly Industrial Estate, Penrith  
Cumbria CA11 9BQ  
Tel.: (+44) (0) 1768 868995  
www.nilfisk.co.uk

### UNITED STATES

Nilfisk Inc.  
14600 21st Avenue North  
Plymouth, MN-55447  
Tel.: (+1) 800-989-2235  
www.nilfisk.com

### VIETNAM

Nilfisk Vietnam  
No. 51 Doc Ngu Str.  
P. Vinh Phúc, Q.Ba Dinh  
Hanoi  
Tel.: (+84) 761 5642  
www.nilfisk.com